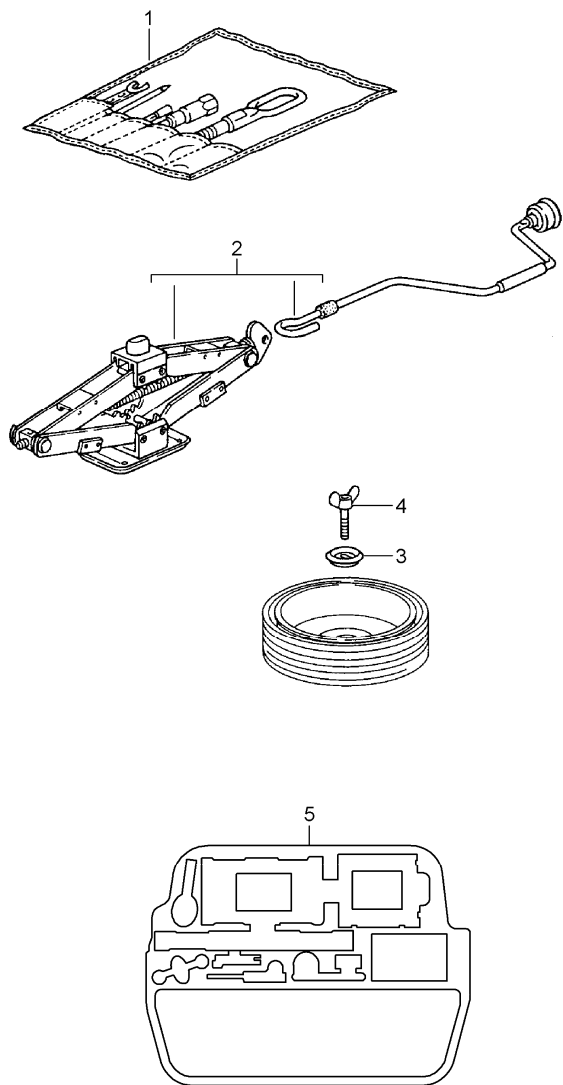


| | | | | | | | | | | | |
|-------|------|----|----|--------------|--------------|-----|-------|------------|---------|-----|---------|
| Model | Year | MG | SG | Illustration | Restrictions | UPD | 14:41 | 24.01.2010 | PORSCHE | PET | PORSCHE |
| 996T | 2005 | 0 | 01 | 001-00 | | 248 | | | | | |

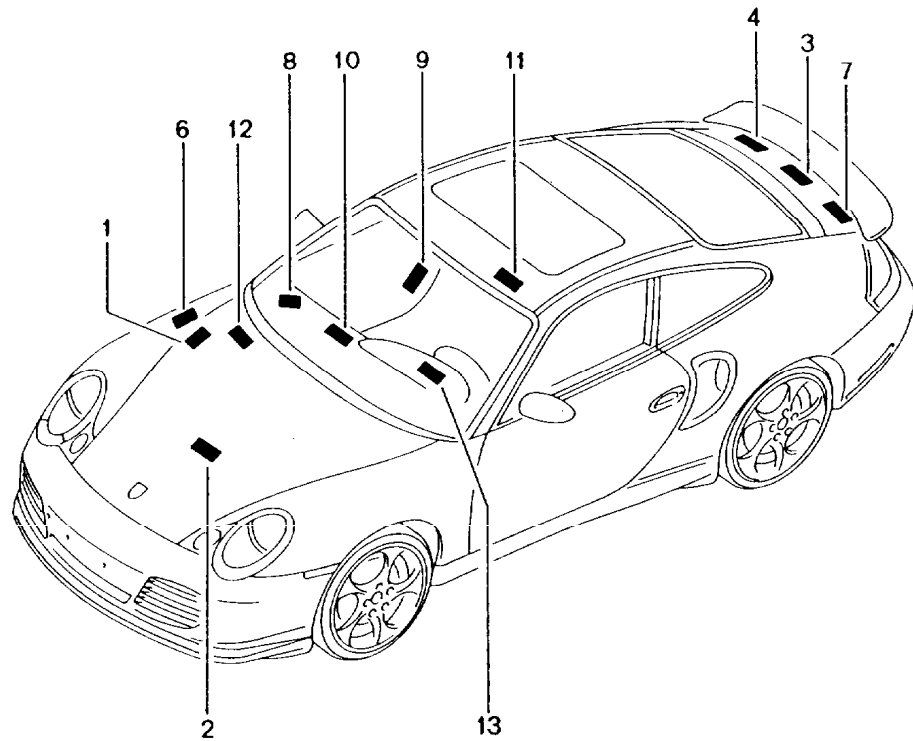


| Pos | Part Number | Description | Remark | Qty | Model |
|-----|----------------|--|--------|-----|----------|
| 1 | 996 721 115 00 | tool jack fire extinguisher | | 1 | |
| - | 996 721 415 00 | tool bag with contents comprising: | | 1 | |
| - | 996 721 415 00 | tool bag without content | | 1 | |
| - | 996 361 521 00 | boot for tyre | | 1 | |
| - | 999 914 001 40 | plastic gloves | | 1 | |
| - | 996 721 151 00 | towing lug | | 1 | |
| - | 477 012 229 | double-end spanner 10 X 13 | | 1 | |
| - | 477 012 231 | screwdriver | | 1 | |
| - | 111 012 287 | handle for screwdriver | | 1 | |
| - | 999 571 076 02 | socket wrench - 5 - for headlamp | | 1 | |
| - | 999 571 074 30 | threaded bolt for assembly wheels | | 1 | |
| - | 477 012 221 A | rim wrench | | 1 | |
| - | 999 571 070 30 | operating rod for rim wrench | | 1 | |
| 2 | 996 721 211 00 | scissors type jack | | 1 | |
| 3 | 477 813 157 | fastening plate | | 1 | |
| 4 | 900 029 109 02 | wing screw M 10 X 65 | | 1 | |
| - | 999 031 051 02 | washer 11,0 X 20 X 3,5 | | 1 | M450/680 |
| 5 | 996 721 163 90 | foam part | | 1 | GT2 |

| | | | | | | | | | | | |
|-------|------|----|----|--------------|--------------|-----|-------|------------|---------|-----|---------|
| Model | Year | MG | SG | Illustration | Restrictions | UPD | 14:41 | 24.01.2010 | PORSCHE | PET | PORSCHE |
| 996T | 2005 | 0 | 01 | 001-00 | | 248 | | | | | |

| Pos | Part Number | Description | Remark | Qty | Model | Pos | Part Number | Description | Remark | Qty | Model |
|-----|------------------|---|--------|-----|-------------|-----|-------------|-------------|--------|-----|-------|
| - | - | compressor | | | | | | | | | |
| - | - | compressed air bottle see group 6/01/00 | | | GT2 | | | | | | |
| - | K 993 722 115 70 | fire extinguisher | | 1 | GT2 M003 | | | | | | |
| - | K 996 722 211 90 | spacer sleeve | | 2 | GT2 M003 | | | | | | |
| - | K 996 722 213 90 | stopper | | 2 | GT2 M003 | | | | | | |
| - | 000 722 722 02 | warning triangle | | 1 | | | | | | | |
| - | 993 722 041 00 | first-aid kit | | 1 | | | | | | | |

| | | | | | | | | | | | |
|-------|------|----|----|--------------|--------------|-----|-------|------------|---------|-----|---------|
| Model | Year | MG | SG | Illustration | Restrictions | UPD | 14:42 | 24.01.2010 | PORSCHE | PET | PORSCHE |
| 996T | 2005 | 0 | 01 | 001-05 | | 248 | | | | | |

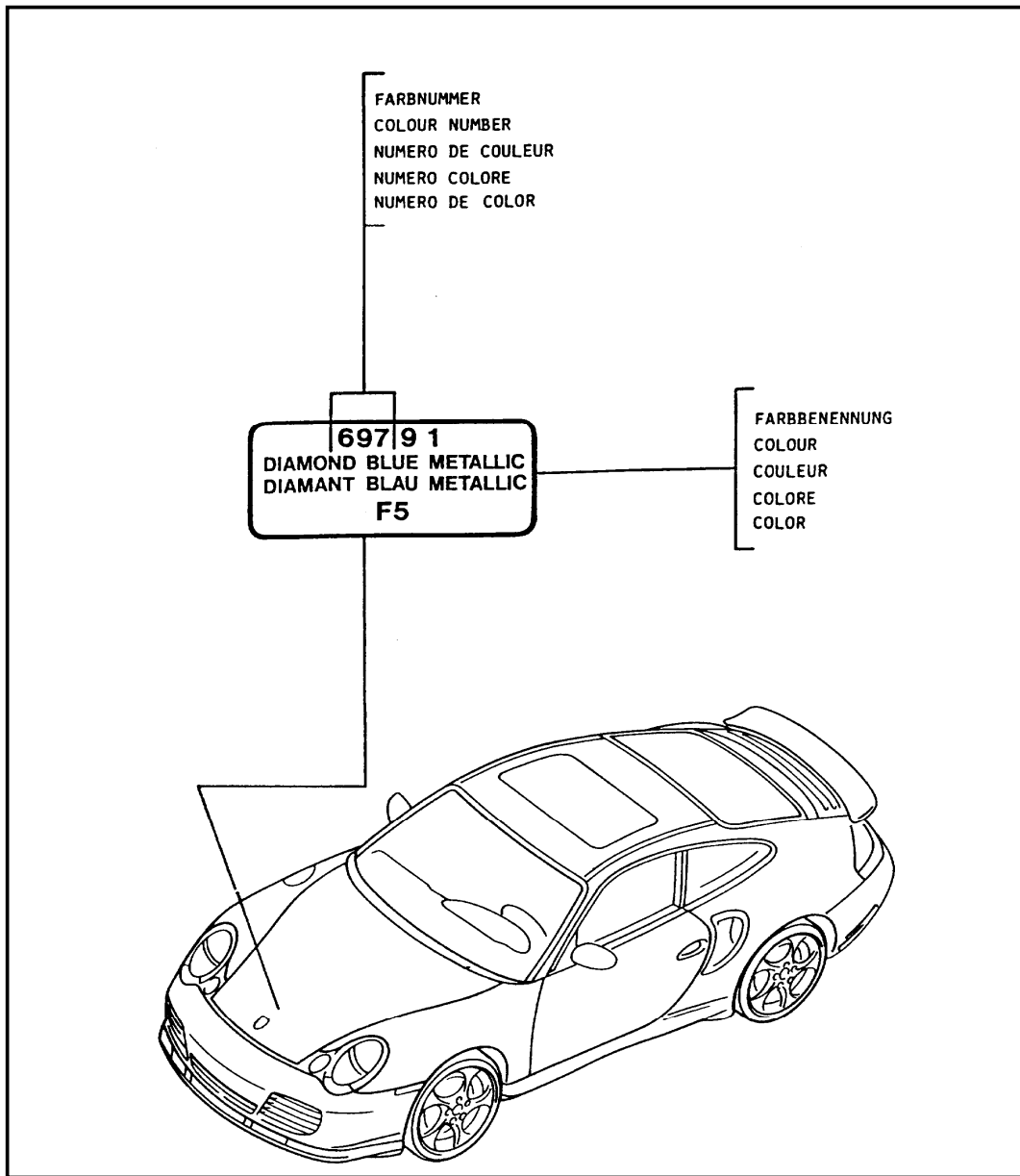


| Pos | Part Number | Description | Remark | Qty | Model |
|-----|----------------|-----------------------|-----------|-----|-------|
| | | stickers | | | |
| | | stickers | | | |
| | | tyre pressure | | | |
| 1 | 996 701 287 48 | sticker | | 1 | TURBO |
| 1 | 996 701 287 51 | sticker | | 1 | GT2 |
| 1 | 996 701 287 50 | sticker | (AUS) 01 | 1 | TURBO |
| 1 | 996 701 287 50 | sticker | (AUS) 02- | 1 | TURBO |
| 1 | 996 701 287 53 | sticker | (AUS) | 1 | GT2 |
| 1 | 996 701 170 00 | sticker | | 1 | M499 |
| | | first-aid kit | | | |
| | | stickers | | 1 | |
| | | emergency wheel | | | |
| 2 | 996 361 701 00 | sticker | (AUS) | 1 | |
| | | english | | | |
| 2 | 996 361 701 20 | sticker | (AUS) 02- | 1 | M450 |
| | | english | | | |
| 2 | 928 701 150 00 | sticker | | 1 | |
| | | "MAX 80 KM/H" | | | |
| | | stickers | | | |
| | | engine specifications | | | |
| 3 | 996 006 107 70 | sticker | (AUS) 01 | 1 | TURBO |
| 3 | 996 006 107 71 | sticker | (AUS) 02 | 1 | TURBO |
| 3 | 996 006 107 72 | sticker | (AUS) 03 | 1 | TURBO |
| 3 | 996 006 107 73 | sticker | (AUS) 04 | 1 | TURBO |
| 3 | 996 006 107 80 | sticker | (AUS) 01 | 1 | GT2 |
| 3 | 996 006 107 81 | sticker | (AUS) 02 | 1 | GT2 |
| 3 | 996 006 107 82 | sticker | (AUS) 03 | 1 | GT2 |
| 3 | 996 006 107 83 | sticker | (AUS) 04 | 1 | GT2 |
| 3 | 993 006 108 02 | sticker | | 01 | M068 |
| 3 | 996 006 108 00 | sticker | | 02- | M068 |
| | | stickers | | | |
| | | type of fuel | | | |

| | | | | | | | | | | | |
|-------|------|----|----|--------------|--------------|-----|-------|------------|---------|-----|---------|
| Model | Year | MG | SG | Illustration | Restrictions | UPD | 14:42 | 24.01.2010 | PORSCHE | PET | PORSCHE |
| 996T | 2005 | 0 | 01 | 001-05 | | 248 | | | | | |

| Pos | Part Number | Description | Remark | Qty | Model | Pos | Part Number | Description | Remark | Qty | Model |
|-----|------------------|---|--------|-----|-------|-----|----------------|---|--------|-----|-------|
| 6 | 996 006 117 00 | sticker 98 ROZ | | 1 | | 8 | 996 701 430 02 | sticker child car seat english spanish | | 1 | TURBO |
| 6 | 996 006 117 02 | sticker 96 ROZ | (AUS) | 1 | | 8 | 986 701 430 02 | sticker child car seat english spanish | | 1 | GT2 |
| 6 | 996 006 117 01 | sticker 98 ROZ | | 1 | M150 | 8 | 996 701 430 03 | sticker child car seat swedish english | | 1 | TURBO |
| 6 | 996 006 117 03 | sticker 93 RON/MON/2 | (J) | 1 | | 8 | 986 701 430 03 | sticker child car seat swedish english | | 1 | GT2 |
| 6 | 996 701 190 00 | sticker fuel tank cap | | 1 | | 8 | 996 701 430 04 | sticker child car seat arabic english | 04 | 1 | TURBO |
| 7 | A 993 006 544 01 | sticker engine oil - MOBIL 1 - | | 1 | | 8 | 986 701 430 04 | sticker child car seat arabic english | 04 | 1 | GT2 |
| 7 | 997 006 544 00 | sticker engine oil - MOBIL 1 - | | 1 | | 12 | 996 701 141 01 | sticker air conditioner | | 1 | |
| (7) | 996 006 120 00 | indication sticker expansion tank coolant | | 1 | | | | | | | |
| | | stickers airbag | | | | | | | | | |
| 8 | 3B0 010 219 B | sticker child car seat | | 1 | | | | | | | |
| 8 | 8D0 010 141 Q | sticker child car seat | (AUS) | 05 | | | | | | | |
| 8 | 996 701 430 00 | sticker child car seat german english | | 1 | TURBO | | | | | | |
| 8 | 986 701 430 00 | sticker child car seat german english | | 1 | GT2 | | | | | | |
| 8 | 996 701 430 01 | sticker child car seat italian french | | 1 | TURBO | | | | | | |
| 8 | 986 701 430 01 | sticker child car seat italian french | | 1 | GT2 | | | | | | |

| | | | | | | | | | | | |
|-------|------|----|----|--------------|--------------|-----|-------|------------|---------|-----|---------|
| Model | Year | MG | SG | Illustration | Restrictions | UPD | 14:42 | 24.01.2010 | PORSCHE | PET | PORSCHE |
| 996T | 2005 | 0 | 04 | 004-00 | | 248 | | | | | |

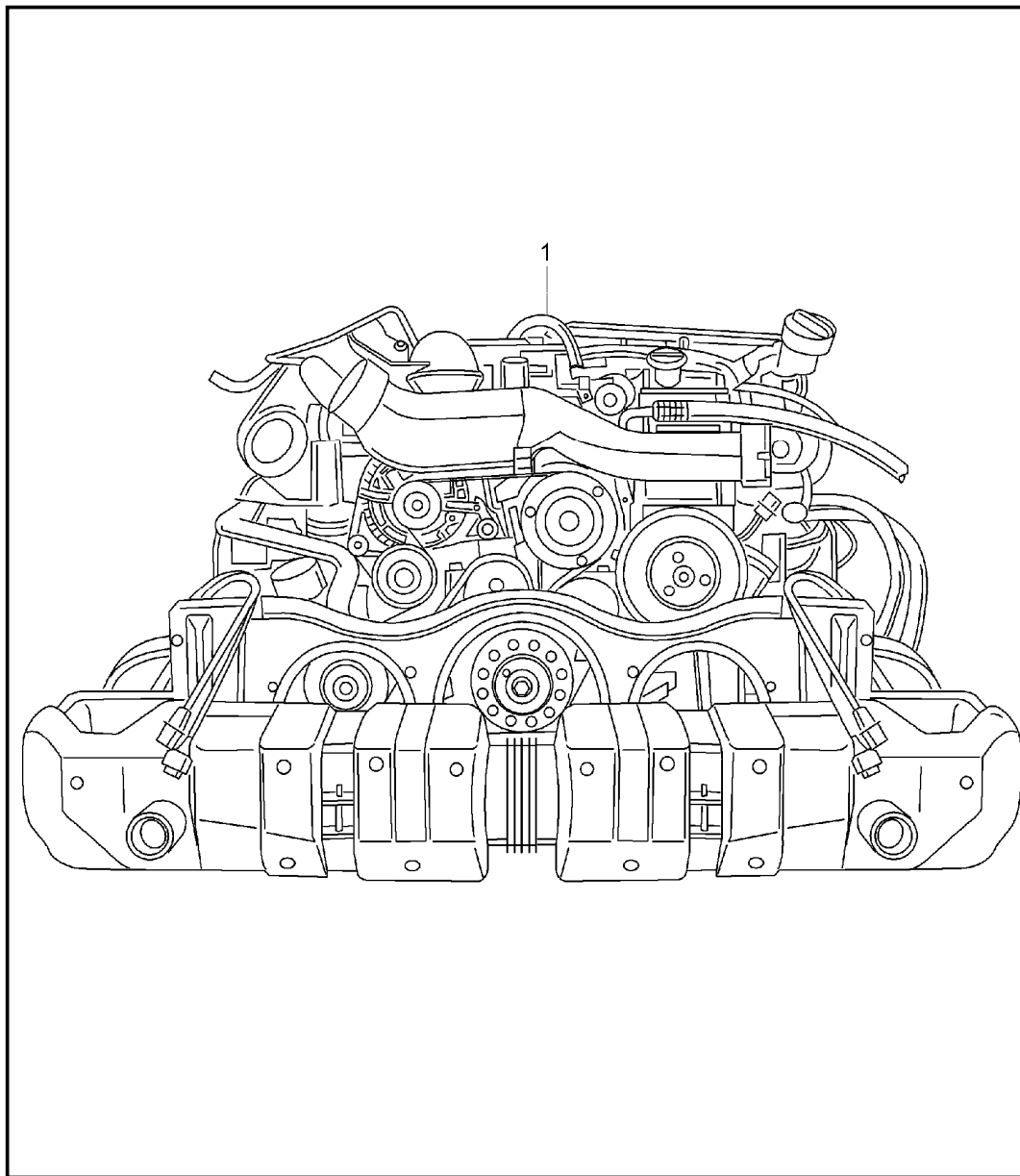


| Pos | Part Number | Description | Remark | Qty | Model |
|-----|----------------|--|----------------|-----|-----------|
| | | paint touch-up applicator lacquers | | | |
| - | 911 095 932 20 | paint touch-up applicator | | X | |
| | 719 | black | | | A 1 |
| | 80K | guards red | | | G 1 |
| | 9A3 | biarritz white | | | Z 2 |
| | 12G | speed yellow | | | X 4 |
| | 347 | dark blue | | | 55 |
| | B9A | carrara white | | | B 4 |
| - | 911 095 933 20 | paint touch-up applicator set comprising: paint touch-up applicator primer paint touch-up applicator clear lacquer | | X | |
| | 92T | arctic silver metallic | | | X 1 |
| | 746 | black-metallic | | | Z 8 |
| | 2A2 | rainforest green metallic | | | J 4 |
| | 1A9 | zanzibar red | 03 -02 -02 | | N 1 63 |
| | 8A4 | orient red metallic | | | L 1 |
| | 3A9 | lapis blue metallic | -02 | | E 3 |
| | M5W | lapis blue metallic | 03- | | J 2 |
| | 6A7 | meridian metallic | 04- -03 -03 | | X 2 64 |
| | 6B5 | seal grey metallic | | | Y 1 |
| | 23I | wimbledon green metallic | | | 51 |
| | 22E | forest green metallic | | | 53 |
| | 39G | violet metallic | | | 54 |
| | 37U | cobalt blue metallic | | | 56 |
| | 92E | polar silver metallic | | | 58 |
| | 22D | slate grey metallic | | | 59 |

| | | | | | | | | | | | |
|-------|------|----|----|--------------|--------------|-----|-------|------------|---------|-----|---------|
| Model | Year | MG | SG | Illustration | Restrictions | UPD | 14:42 | 24.01.2010 | PORSCHE | PET | PORSCHE |
| 996T | 2005 | 0 | 04 | 004-00 | | 248 | | | | | |

| Pos | Part Number | Description | Remark | Qty | Model | Pos | Part Number | Description | Remark | Qty | Model |
|-----|-------------|------------------------|---------|-----|-------|-----|-------------|-------------|--------|-----|-------|
| | 37W | midnight blue metallic | -02 | 62 | | | | | | | |
| | | | 03- -02 | E 9 | | | | | | | |
| | C9Z | basalt black metallic | | Z 4 | | | | | | | |
| | M6W | lagoon green metallic | | G 4 | | | | | | | |
| | M3W | carmon red metallic | | E 4 | | | | | | | |
| | M7X | atlas grey metallic | | E 7 | | | | | | | |
| | M7Z | gt silver metallic | | U 2 | | | | | | | |
| | M6X | dark olive-metallic | | 7 G | | | | | | | |

| | | | | | | | | | | | |
|-------|------|----|----|--------------|--------------|-----|-------|------------|---------|-----|---------|
| Model | Year | MG | SG | Illustration | Restrictions | UPD | 14:42 | 24.01.2010 | PORSCHE | PET | PORSCHE |
| 996T | 2005 | 1 | 01 | 101-00 | | 248 | | | | | |

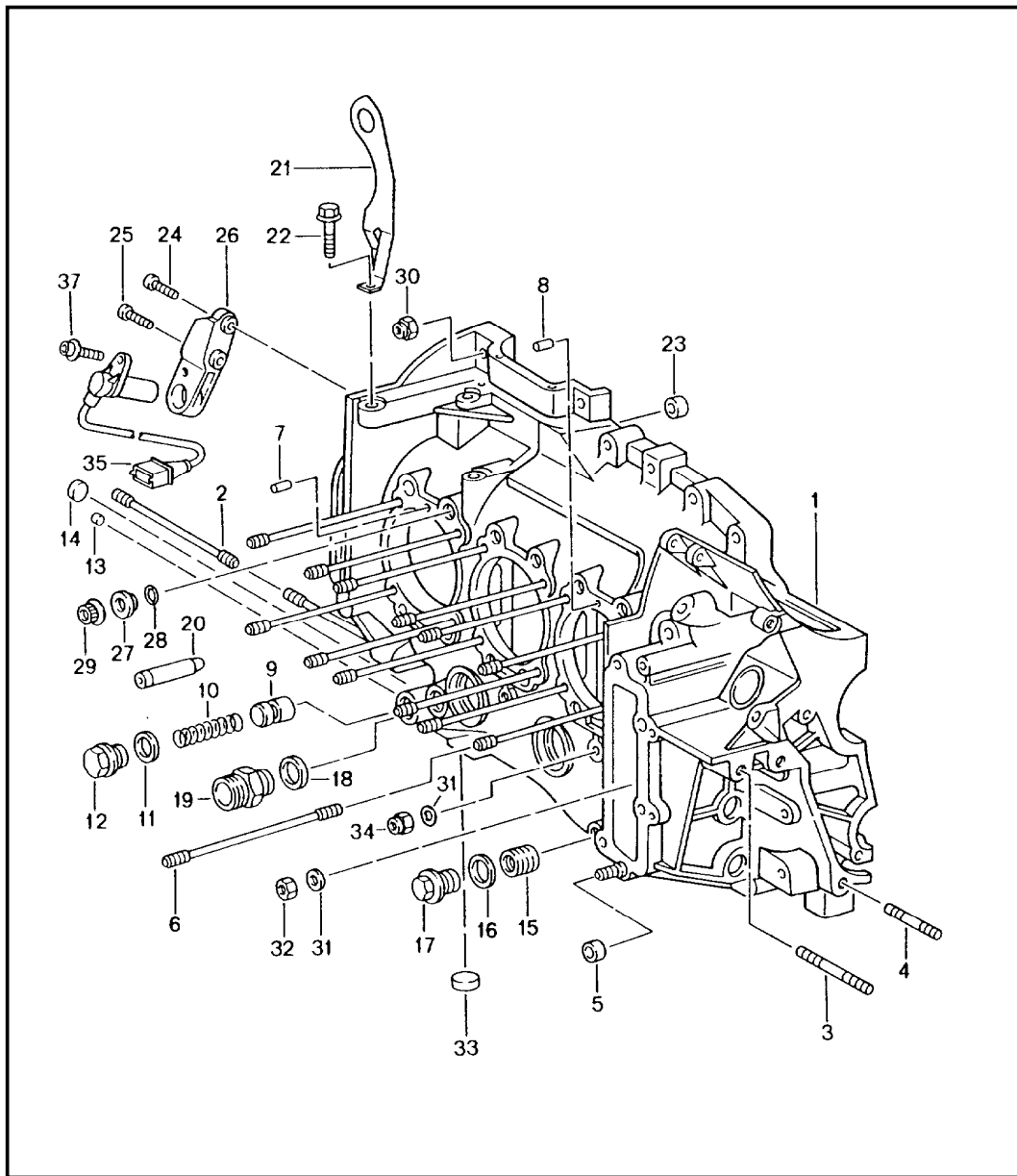


| Pos | Part Number | Description | Remark | Qty | Model |
|-----|------------------|--|--------|-----|------------------------------|
| | | replacement engine | 02-02- | | M96.70 M96.70E M96.70S |
| | | ready for installation only included fuel cooler | | | |
| 1 | > 996 100 970 00 | replacement engine | 01 | 1 | M96.70 M480 |
| | | see technical information group 1 NR.3/01 | | | |
| 1 | > 996 100 970 01 | replacement engine | 01 | 1 | M96.70 M249 |
| | | see technical information group 1 NR.3/01 | | 1 | |
| | | replacement engine ready for installation | | | |
| 1 | > 996 100 970 02 | replacement engine | 02 | 1 | M96.70 M152 M480 |
| 1 | > 996 100 970 13 | replacement engine | 03 | 1 | M96.70 M152 M480 |
| 1 | > 996 100 970 21 | replacement engine | 04 | 1 | M96.70 M152 M480 |
| 1 | > 996 100 970 29 | replacement engine | 05 | 1 | M96.70 M152 M480 |
| 1 | > 996 100 970 03 | replacement engine | 02 | 1 | M96.70 M152 M249 |
| 1 | > 996 100 970 14 | replacement engine | 03 | 1 | M96.70 M152 M249 |
| 1 | > 996 100 970 22 | replacement engine | 04 | 1 | M96.70 M152 M249 |

| | | | | | | | | | | | |
|-------|------|----|----|--------------|--------------|-----|-------|------------|---------|-----|---------|
| Model | Year | MG | SG | Illustration | Restrictions | UPD | 14:42 | 24.01.2010 | PORSCHE | PET | PORSCHE |
| 996T | 2005 | 1 | 01 | 101-00 | | 248 | | | | | |

| Pos | Part Number | Description | Remark | Qty | Model | Pos | Part Number | Description | Remark | Qty | Model |
|-----|------------------|--|--------|-----|---|-----|------------------|--------------------|--------|-----|-----------------------|
| 1 | > 996 100 970 30 | replacement engine replacement engine ready for installation | | 05 | 1 M96.70 M152 M249 | 1 | > 996 100 970 27 | replacement engine | | 04 | 1 M96.70S M101/152 |
| 1 | > 996 100 970 09 | replacement engine | | 02 | 1 M96.70E IX50/X50/ M152 M480 | 1 | > 996 100 970 35 | replacement engine | | 05 | 1 M96.70S M101/152 |
| 1 | > 996 100 970 19 | replacement engine | | 03 | 1 M96.70E IX50/X50/ M152 M480 | | | | | | |
| 1 | > 996 100 970 25 | replacement engine | | 04 | 1 M96.70E IX50/X50/ M152 M480 | | | | | | |
| 1 | > 996 100 970 33 | replacement engine | | 05 | 1 M96.70E IX50/X50/X75 M152 M480 | | | | | | |
| 1 | > 996 100 970 10 | replacement engine | | 02 | 1 M96.70E IX50/X50/ M152 M249 | | | | | | |
| 1 | > 996 100 970 20 | replacement engine | | 03 | 1 M96.70E IX50/X50/ M152 M249 | | | | | | |
| 1 | > 996 100 970 26 | replacement engine | | 04 | 1 M96.70E IX50/X50/ M152 M249 | | | | | | |
| 1 | > 996 100 970 34 | replacement engine replacement engine ready for installation | | 05 | 1 M96.70E IX50/X50/X75 M152 M249 | | | | | | |
| 1 | > 996 100 970 06 | replacement engine | | 01 | 1 M96.70S M101/152 | | | | | | |
| 1 | > 996 100 970 07 | replacement engine | | 02 | 1 M96.70S M101/152 | | | | | | |
| 1 | > 996 100 970 17 | replacement engine | | 03 | 1 M96.70S M101/152 | | | | | | |

| | | | | | | | | | | | |
|-------|------|----|----|--------------|--------------|-----|-------|------------|---------|-----|---------|
| Model | Year | MG | SG | Illustration | Restrictions | UPD | 14:42 | 24.01.2010 | PORSCHE | PET | PORSCHE |
| 996T | 2005 | 1 | 01 | 101-05 | | 248 | | | | | |

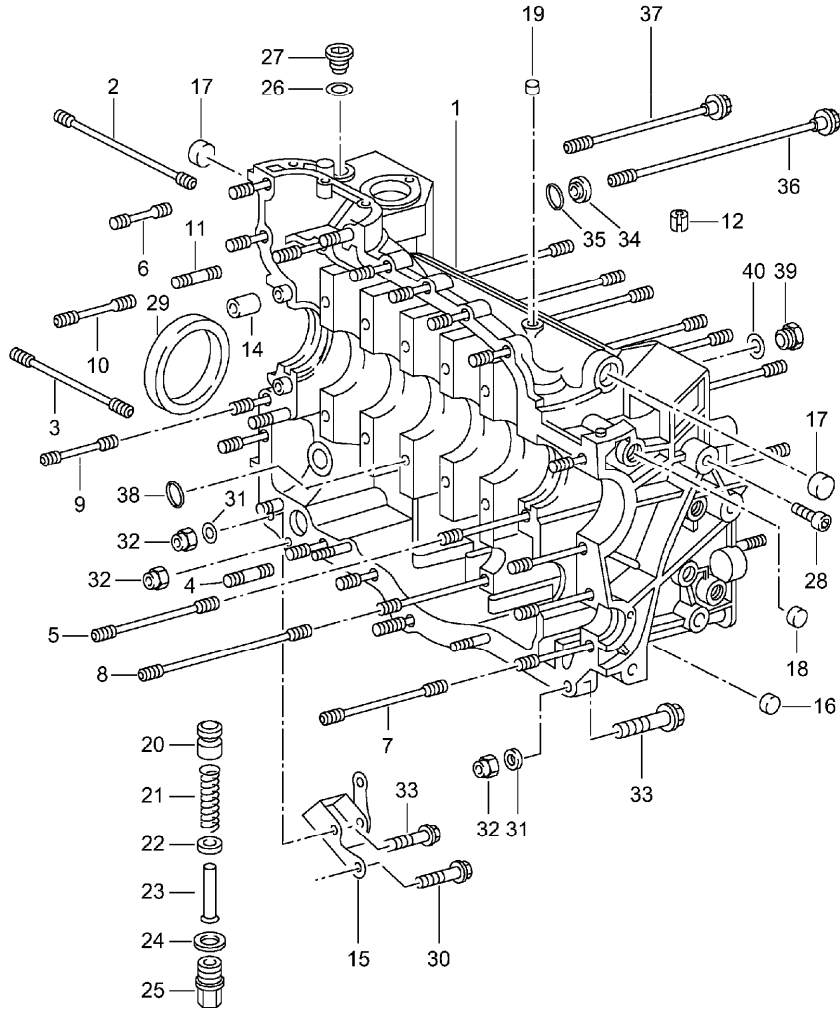


| Pos | Part Number | Description | Remark | Qty | Model |
|-----|------------------|------------------------------------|--------|-----|-------|
| 1 | 996 101 901 71 | crankcase left | | 1 | |
| 2 | 999 062 099 02 | stud BM 10 X 105 | | 2 | |
| 3 | 999 062 170 02 | stud BM 10 X 70 | | 1 | |
| 4 | 999 062 056 02 | stud BM 10 X 60 | | 1 | |
| 5 | 901 101 145 00 | dowel sleeve | | 4 | |
| 6 | 996 101 172 70 | stud | | 24 | |
| 7 | 900 012 046 00 | straight pin A 8,0 X 14 | | 2 | |
| 8 | 900 012 057 00 | straight pin A 6,0 X 14 | | 2 | |
| 9 | 911 107 512 00 | piston | | 1 | |
| 10 | A 901 107 531 00 | compression spring | | 1 | |
| 10 | 901 107 531 01 | compression spring | | 1 | |
| 11 | 900 123 106 30 | sealing ring A 18 X 24 | | 1 | |
| 12 | A 999 064 026 02 | screw plug M 18 X 24 | | 1 | |
| 12 | 999 064 026 01 | screw plug AM 18 X 1,5 | | 1 | |
| 13 | 911 101 186 00 | stopper 7,5 X 8,0 | | 1 | |
| 13 | 911 101 186 01 | stopper oversize 8,5 X 8,0 | | 1 | |
| 14 | 911 101 182 01 | stopper oversize 14,00 X 8,5 | | 1 | |
| 15 | 999 504 127 00 | threaded insert 20 X 1,5 | | 1 | |
| 16 | 900 123 118 30 | sealing ring A 22 X 27 | | 1 | |

| | | | | | | | | | | | |
|-------|------|----|----|--------------|--------------|-----|-------|------------|---------|-----|---------|
| Model | Year | MG | SG | Illustration | Restrictions | UPD | 14:42 | 24.01.2010 | PORSCHE | PET | PORSCHE |
| 996T | 2005 | 1 | 01 | 101-05 | | 248 | | | | | |

| Pos | Part Number | Description | Remark | Qty | Model | Pos | Part Number | Description | Remark | Qty | Model |
|-----|------------------|-----------------------------------|--------|-----|-------|-----|----------------|----------------------------|--------|-----|-------|
| 17 | 944 107 197 01 | screw plug | | 1 | | 36 | 986 606 112 02 | pulse sender | -02 | 1 | M249 |
| 18 | 900 123 011 30 | sealing ring A 22 X 27 | | 1 | | 36 | 986 606 112 03 | pulse sender | 03- | 1 | M249 |
| 19 | A 999 136 044 09 | union 18 | | 1 | | 37 | 999 218 005 02 | pan-head screw M 6 X 16 | | 1 | |
| 19 | 999 136 044 01 | union 18 | | 1 | | 38 | 999 507 842 40 | support pulse sender | | 1 | |
| 20 | 996 101 018 51 | splash valve M 20 X 1,5 | | 6 | | | | | | | |
| 21 | 996 101 251 72 | retaining bar | | 1 | | | | | | | |
| 22 | 900 074 040 02 | hexagon-head bolt M 8 X 50 | | 1 | | | | | | | |
| 23 | 901 101 195 00 | dowel sleeve | | 2 | | | | | | | |
| 24 | 900 075 341 02 | hexagon-head bolt M 6 X 25 | | 1 | | | | | | | |
| 25 | 900 075 345 02 | hexagon-head bolt M 6 X 35 | | 1 | | | | | | | |
| 26 | 964 101 187 01 | support | | 1 | | | | | | | |
| 27 | 964 101 313 02 | washer | | 15 | | | | | | | |
| 28 | 999 701 006 40 | o-ring 8 X 2 | | 15 | | | | | | | |
| 29 | 959 101 172 00 | nut | | 11 | | | | | | | |
| 30 | A 999 084 095 02 | lock nut M 8 | | 23 | | | | | | | |
| 30 | 900 910 003 01 | lock nut M 8 | | 23 | | | | | | | |
| 31 | 900 025 008 09 | washer A 10,5 | | 2 | | | | | | | |
| 32 | 900 076 078 01 | hexagon nut M 10 X 1,25 | | 1 | | | | | | | |
| 33 | 911 101 184 01 | stopper oversize 20,00 X 13 | | 1 | | | | | | | |
| 34 | 999 084 096 02 | lock nut M 10 | | 1 | | | | | | | |
| 35 | 996 606 105 00 | pulse sender | | 1 | M480 | | | | | | |

| | | | | | | | | | | | |
|-------|------|----|----|--------------|--------------|-----|-------|------------|---------|-----|---------|
| Model | Year | MG | SG | Illustration | Restrictions | UPD | 14:42 | 24.01.2010 | PORSCHE | PET | PORSCHE |
| 996T | 2005 | 1 | 01 | 101-10 | | 248 | | | | | |

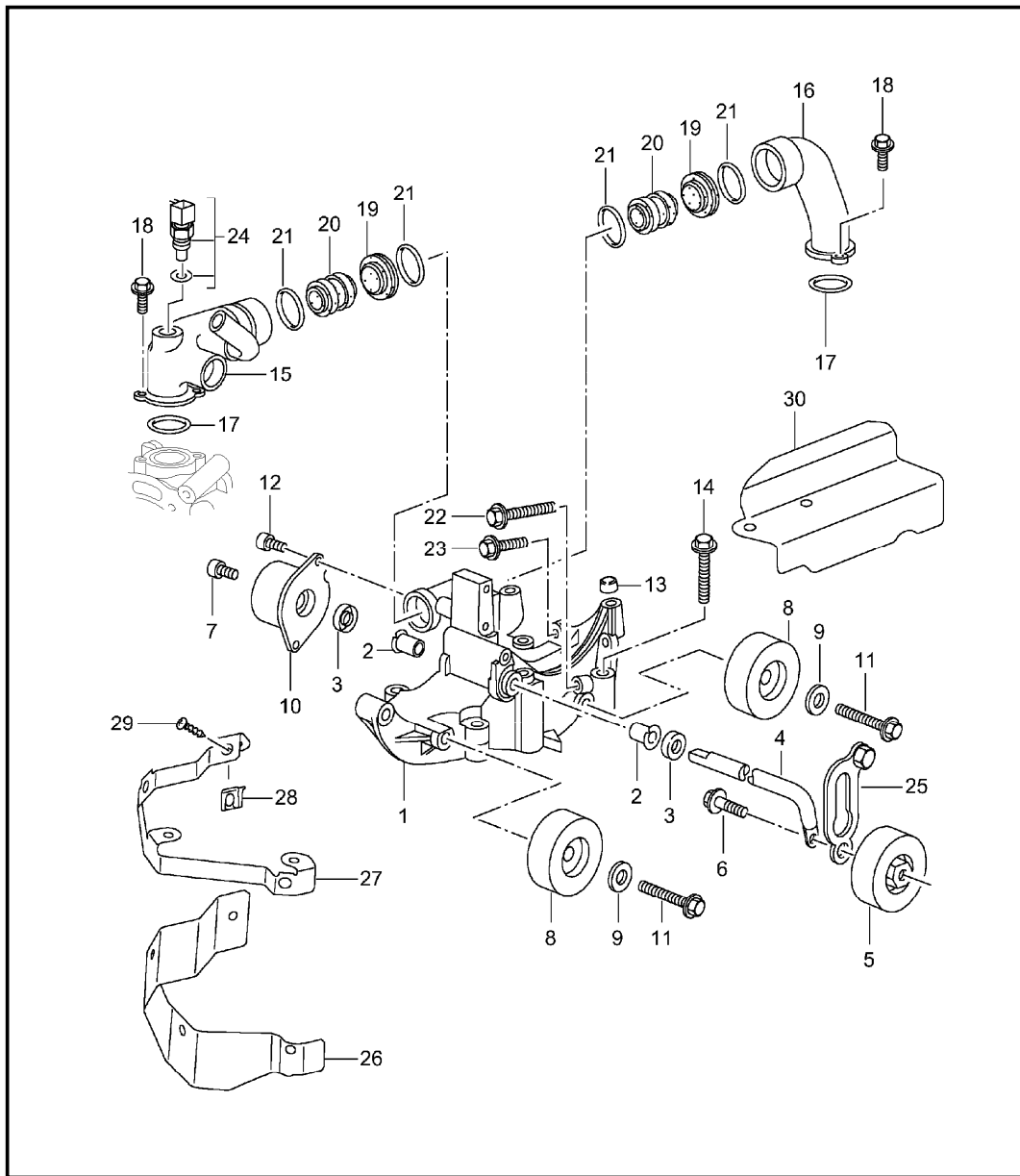


| Pos | Part Number | Description | Remark | Qty | Model |
|-----|----------------|------------------------------------|--------|-----|-------|
| 1 | 996 101 901 71 | crankcase right | | 1 | |
| 2 | 999 062 225 02 | stud BM 10 X 140 | | 1 | |
| 3 | 999 062 099 02 | stud BM 10 X 105 | | 1 | |
| 4 | 999 062 007 02 | stud BM 8 X 22 | | 3 | |
| 5 | 996 101 175 70 | stud | | 1 | |
| 6 | 999 062 115 02 | stud BM 8 X 32 | | 13 | |
| 7 | 999 062 156 02 | stud BM 8 X 78 | | 3 | |
| 8 | 999 062 276 02 | stud BM 10 X 110 | | 1 | |
| 9 | 999 062 075 02 | stud BM 8 X 48 | | 2 | |
| 10 | 999 062 138 02 | stud BM 8 X 52 | | 1 | |
| 11 | 999 062 009 02 | stud BM 8 X 28 | | 1 | |
| 12 | 900 095 025 01 | roll pin 8 X 16 | | 1 | |
| 14 | 901 101 195 00 | dowel sleeve | | 2 | |
| 15 | 996 101 206 70 | hook | | 1 | |
| 16 | 911 101 184 01 | stopper oversize 20,00 X 13 | | 1 | |
| 17 | 911 101 185 01 | stopper oversize 23,00 X 9 | | 2 | |
| 18 | 911 101 182 01 | stopper oversize 14,00 X 8,5 | | 1 | |
| 19 | 911 101 186 00 | stopper 7,50 X 8 | | 1 | |

| | | | | | | | | | | | |
|-------|------|----|----|--------------|--------------|-----|-------|------------|---------|-----|---------|
| Model | Year | MG | SG | Illustration | Restrictions | UPD | 14:42 | 24.01.2010 | PORSCHE | PET | PORSCHE |
| 996T | 2005 | 1 | 01 | 101-10 | | 248 | | | | | |

| Pos | Part Number | Description | Remark | Qty | Model | Pos | Part Number | Description | Remark | Qty | Model |
|-----|------------------|-------------------------------------|--------|-----|-------|-----|----------------|--------------|--------|-----|-------|
| 19 | 911 101 186 01 | stopper oversize 8,50 X 8 | | 1 | | 39 | 900 175 022 02 | banjo bolt | | 1 | |
| | | | | | | 40 | 900 123 152 30 | sealing ring | | 2 | |
| 20 | 911 107 512 00 | piston | | 1 | | | | | | | |
| 21 | A 901 107 531 00 | compression spring | | 1 | | | | | | | |
| 21 | 901 107 531 01 | compression spring | | 1 | | | | | | | |
| 22 | 964 107 532 00 | spacer ring | | 1 | | | | | | | |
| 23 | 930 107 533 00 | guide sleeve | | 1 | | | | | | | |
| 24 | 900 123 106 30 | sealing ring A 18 X 24 | | 1 | | | | | | | |
| 25 | 999 064 026 02 | screw plug | | 1 | | | | | | | |
| 26 | 900 123 140 30 | sealing ring A 18 X 22 | | 1 | | | | | | | |
| 27 | 900 219 009 30 | screw plug M 18 X 1,5 | | 1 | | | | | | | |
| 28 | 999 074 017 02 | hexagon-head bolt M 10 X 18 | | 1 | | | | | | | |
| 29 | 999 113 426 41 | shaft sealing ring 90 X 110 X 12 | | 1 | | | | | | | |
| 30 | 900 074 139 02 | hexagon-head bolt M 8 X 55 | | 1 | | | | | | | |
| 31 | 900 031 001 02 | washer 8,4 | | 26 | | | | | | | |
| 32 | A 999 084 095 02 | lock nut M 8 | | 23 | | | | | | | |
| 32 | 900 910 003 01 | lock nut M 8 | | 23 | | | | | | | |
| 33 | 900 074 134 02 | hexagon-head bolt M 8 X 45 | | 2 | | | | | | | |
| 34 | 964 101 313 02 | washer | | 13 | | | | | | | |
| 35 | 999 701 006 40 | o-ring 8 X 2 | | 13 | | | | | | | |
| 36 | 959 101 173 01 | screw | | 11 | | | | | | | |
| 37 | 964 101 174 00 | screw | | 2 | | | | | | | |
| 38 | 999 701 596 40 | o-ring 8,3 X 2,4 | | 4 | | | | | | | |

| | | | | | | | | | | | |
|-------|------|----|----|--------------|--------------|-----|-------|------------|---------|-----|---------|
| Model | Year | MG | SG | Illustration | Restrictions | UPD | 14:43 | 24.01.2010 | PORSCHE | PET | PORSCHE |
| 996T | 2005 | 1 | 01 | 101-15 | | 248 | | | | | |

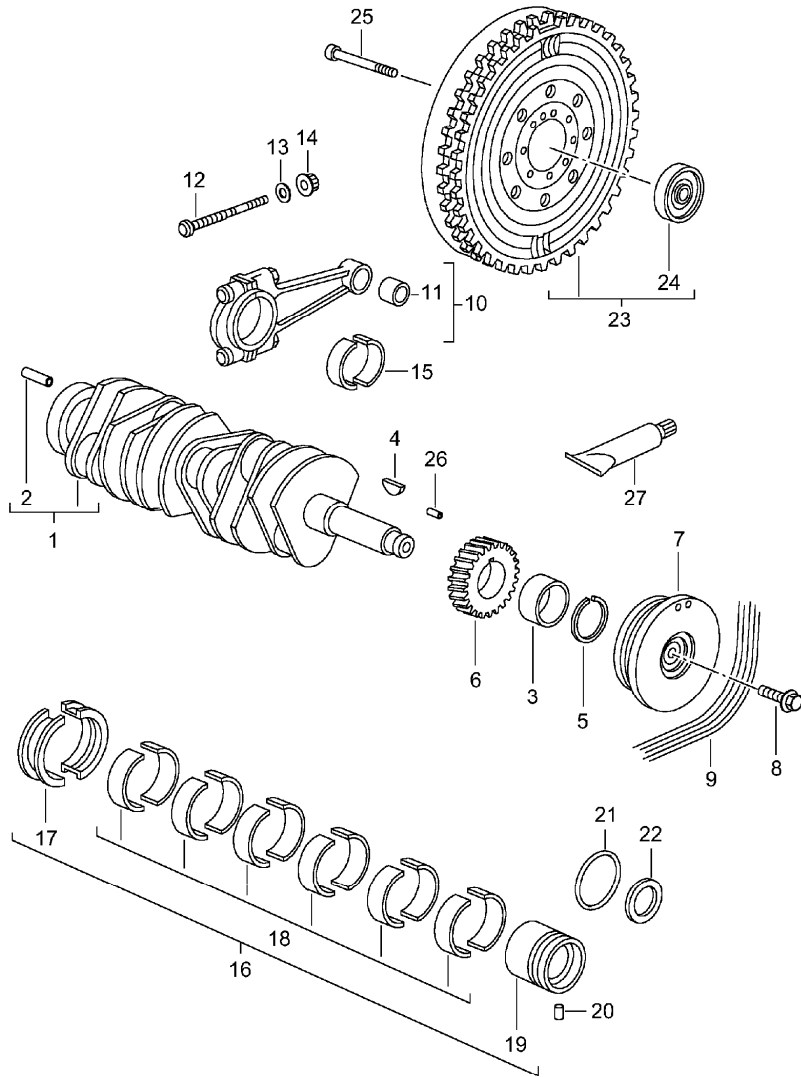


| Pos | Part Number | Description | Remark | Qty | Model |
|-----|------------------|---------------------------------|--------|-----|-------|
| | | belt tensioner belt drive | | | |
| 1 | 996 115 112 70 | bracket | | 1 | |
| 2 | A 996 102 167 50 | bearing sleeve | | 2 | |
| 2 | 997 102 167 00 | bearing sleeve | | 2 | |
| 3 | 996 102 365 50 | dust boot | | 2 | |
| 4 | 996 115 913 70 | lever | | 1 | |
| 5 | 996 115 016 72 | tensioning roller | | 1 | |
| 6 | 999 072 041 09 | hexagon-head bolt M 10 X 30 | | 1 | |
| 7 | 900 067 117 03 | pan-head screw M 6 X 16 | | 1 | |
| 8 | A 996 115 015 74 | deflection roller | | 2 | |
| 8 | 996 115 015 75 | deflection roller | | 2 | |
| 9 | 996 102 125 53 | cover disc | | 2 | |
| 10 | A 996 115 221 71 | tensioner | | 1 | |
| 10 | 996 115 221 72 | tensioner | | 1 | |
| 11 | 900 378 200 09 | hexagon-head bolt M 10 X 55 | | 2 | |
| 12 | 900 067 131 02 | screw M 8 X 16 | | 2 | |
| 13 | 999 095 063 02 | dowel sleeve 11 M 6 X 10 | | 2 | |
| 14 | 900 378 098 09 | hexagon-head bolt AM 10 X 60 | | 4 | |
| 15 | 996 106 039 73 | connection piece | | 1 | |
| 16 | 996 106 440 72 | connection piece | | 1 | |
| 17 | 999 707 410 40 | o-ring 39,20 X 3,00 | | 2 | |
| 18 | 900 378 030 09 | hexagon-head bolt M 6 X 20 | | 4 | |
| 19 | 996 106 214 70 | protective ring | | 2 | |
| 20 | 996 106 238 71 | joining socket | | 2 | |

| | | | | | | | | | | | |
|-------|------|----|----|--------------|--------------|-----|-------|------------|---------|-----|---------|
| Model | Year | MG | SG | Illustration | Restrictions | UPD | 14:43 | 24.01.2010 | PORSCHE | PET | PORSCHE |
| 996T | 2005 | 1 | 01 | 101-15 | | 248 | | | | | |

| Pos | Part Number | Description | Remark | Qty | Model | Pos | Part Number | Description | Remark | Qty | Model |
|------|------------------|---|--------|-----|-------|-----|-------------|-------------|--------|-----|-------|
| 21 | 999 707 411 40 | o-ring 28,00 X 4,50 | | 4 | | | | | | | |
| 22 | 900 378 150 09 | hexagon-head bolt M 8 X 55 | | 1 | | | | | | | |
| 23 | 900 378 022 09 | hexagon-head bolt M 8 X 25 | | 2 | | | | | | | |
| 24 | 996 606 410 00 | temperature sensor | | 1 | | | | | | | |
| 25 | 996 115 213 71 | driver | | 1 | | | | | | | |
| 26 | A 996 115 521 71 | protective plate | /L | 1 | | | | | | | |
| (26) | 996 115 521 73 | protective plate | /L | 1 | | | | | | | |
| 27 | 996 115 621 72 | support not available 996.115.521.73 use | /L | 1 | | | | | | | |
| 28 | 999 507 462 02 | speed nut | | 4 | | | | | | | |
| 29 | 999 919 164 09 | oval-head screw | | 4 | | | | | | | |
| 30 | 996 115 661 72 | protective plate | /R | 1 | | | | | | | |

| | | | | | | | | | | | |
|-------|------|----|----|--------------|--------------|-----|-------|------------|---------|-----|---------|
| Model | Year | MG | SG | Illustration | Restrictions | UPD | 14:43 | 24.01.2010 | PORSCHE | PET | PORSCHE |
| 996T | 2005 | 1 | 02 | 102-00 | | 248 | | | | | |



| Pos | Part Number | Description | Remark | Qty | Model |
|-----|------------------|--|--------|-----|-------|
| | | crankshaft | | | |
| 1 | > 993 102 021 02 | crankshaft | | 1 | |
| 2 | 900 095 031 00 | tensioning sleeve 6 X 16 | | 1 | |
| 3 | 959 102 321 00 | intermediate ring | | 1 | |
| 4 | 901 102 147 00 | woodruff key | | 1 | |
| 5 | 901 102 148 00 | circlip number 0 | | 1 | |
| 5 | 901 102 148 01 | circlip number 1 | | 1 | |
| 5 | 901 102 148 02 | circlip number 2 | | 1 | |
| 5 | 901 102 148 03 | circlip number 3 | | 1 | |
| 6 | - | see group 1/03/15 | | 1 | |
| 7 | U 996 102 017 71 | pulley | | 1 | |
| 7 | 996 102 017 72 | pulley | | 1 | |
| 8 | 999 217 128 01 | hexagon-head bolt M 14 X 1,5 X 33 | | 1 | |
| 9 | 999 192 379 50 | poly-rib belt | | 1 | M573 |
| 10 | 996 103 975 70 | connecting rod set comprising: connecting rods | | 6 | |
| 11 | 993 103 134 01 | connecting rod bush | | 6 | |
| 12 | 996 103 176 70 | connecting rod bolt | | 12 | |
| 14 | 993 103 174 02 | connecting rod nut | | 12 | |
| 15 | 993 103 147 15 | connecting-rod bearing | | 6 | |
| 16 | 964 101 901 00 | set of crankshaft bearings | | 1 | |
| 16 | 964 101 901 51 | set of crankshaft bearings oversize inner 0,25 MM | | 1 | |

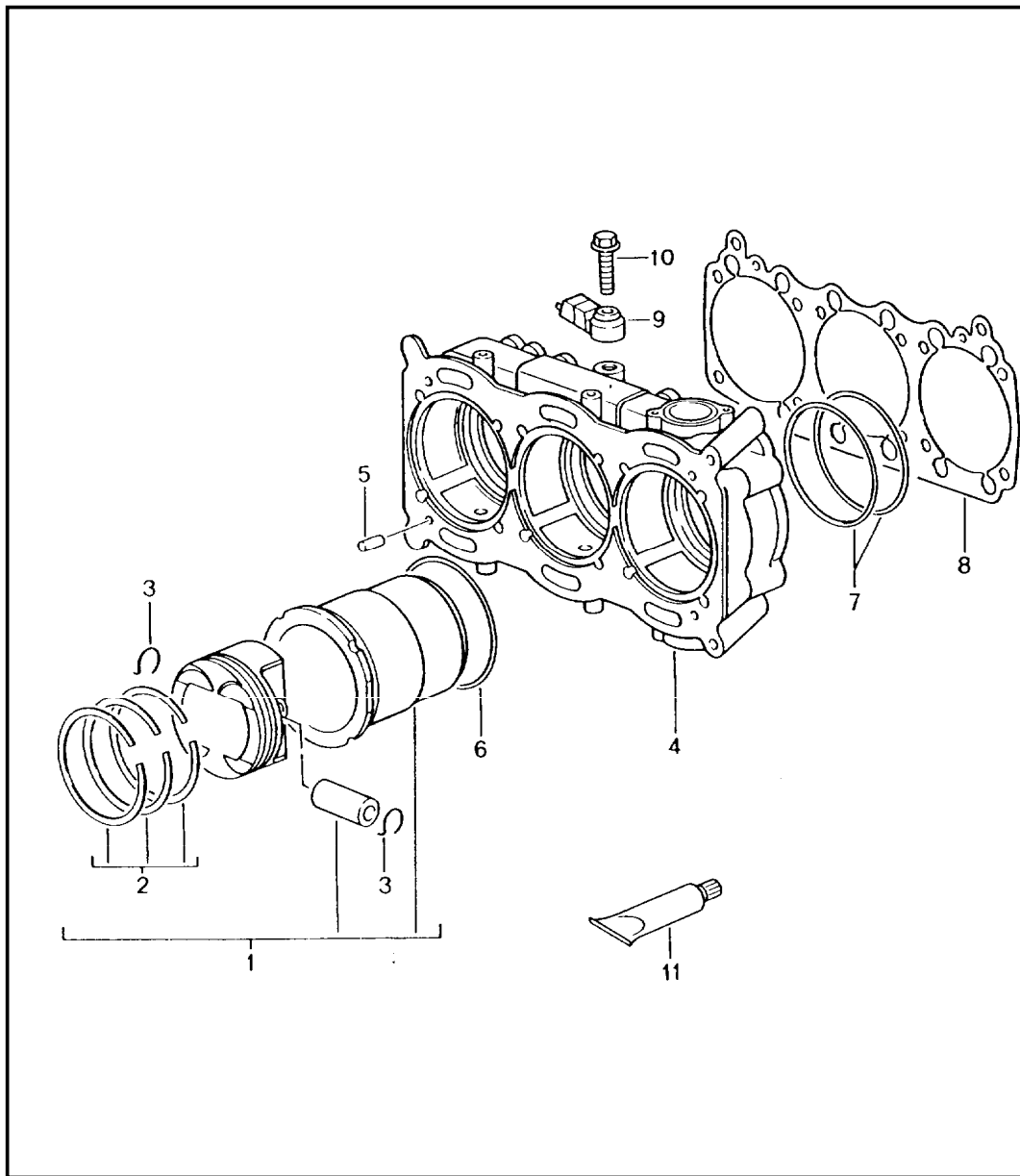
| | | | | | | | | | | | |
|-------|------|----|----|--------------|--------------|-----|-------|------------|---------|-----|---------|
| Model | Year | MG | SG | Illustration | Restrictions | UPD | 14:43 | 24.01.2010 | PORSCHE | PET | PORSCHE |
| 996T | 2005 | 1 | 02 | 102-00 | | 248 | | | | | |

| Pos | Part Number | Description | Remark | Qty | Model | Pos | Part Number | Description | Remark | Qty | Model |
|-----|----------------|--|--------|-----|-------|-----|----------------|---|--------|-----|-------|
| 16 | 964 101 901 56 | set of crankshaft bearings oversize inner 0,50 MM | | 1 | | 17 | 930 101 131 76 | bearing shell I oversize inner 0,50 MM | | 2 | |
| 16 | 964 101 901 61 | set of crankshaft bearings oversize outer 0,25 MM | | 1 | | 18 | 930 101 132 15 | bearing shell II-VII | | 12 | |
| 16 | 964 101 901 71 | set of crankshaft bearings oversize inner 0,25 MM oversize outer 0,25 MM | | 1 | | 18 | 930 101 132 51 | bearing shell II-VII oversize inner 0,25 MM | | 12 | |
| 16 | 964 101 901 76 | set of crankshaft bearings oversize inner 0,50 MM oversize outer 0,25 MM | | 1 | | 18 | 930 101 132 56 | bearing shell II-VII oversize inner 0,50 MM | | 12 | |
| 17 | 930 101 131 15 | bearing shell I | | 2 | | 18 | 930 101 132 61 | bearing shell II-VII oversize outer 0,25 MM | | 12 | |
| 17 | 930 101 131 51 | bearing shell I oversize inner 0,25 MM | | 2 | | 18 | 930 101 132 71 | bearing shell II-VII oversize inner 0,25 MM outer 0,25 MM | | 12 | |
| 17 | 930 101 131 56 | bearing shell I oversize inner 0,50 MM | | 2 | | 18 | 930 101 132 76 | bearing shell II-VII oversize inner 0,50 MM outer 0,25 MM | | 12 | |
| 17 | 930 101 131 61 | bearing shell I oversize outer 0,25 MM | | 2 | | 19 | 964 101 138 01 | bearing sleeve VIII | | 1 | |
| 17 | 930 101 131 71 | bearing shell I oversize inner 0,25 MM outer 0,25 MM | | 2 | | 19 | 964 101 138 54 | bearing sleeve VIII oversize inner 0,25 MM | | 1 | |

| | | | | | | | | | | | |
|-------|------|----|----|--------------|--------------|-----|-------|------------|---------|-----|---------|
| Model | Year | MG | SG | Illustration | Restrictions | UPD | 14:43 | 24.01.2010 | PORSCHE | PET | PORSCHE |
| 996T | 2005 | 1 | 02 | 102-00 | | 248 | | | | | |

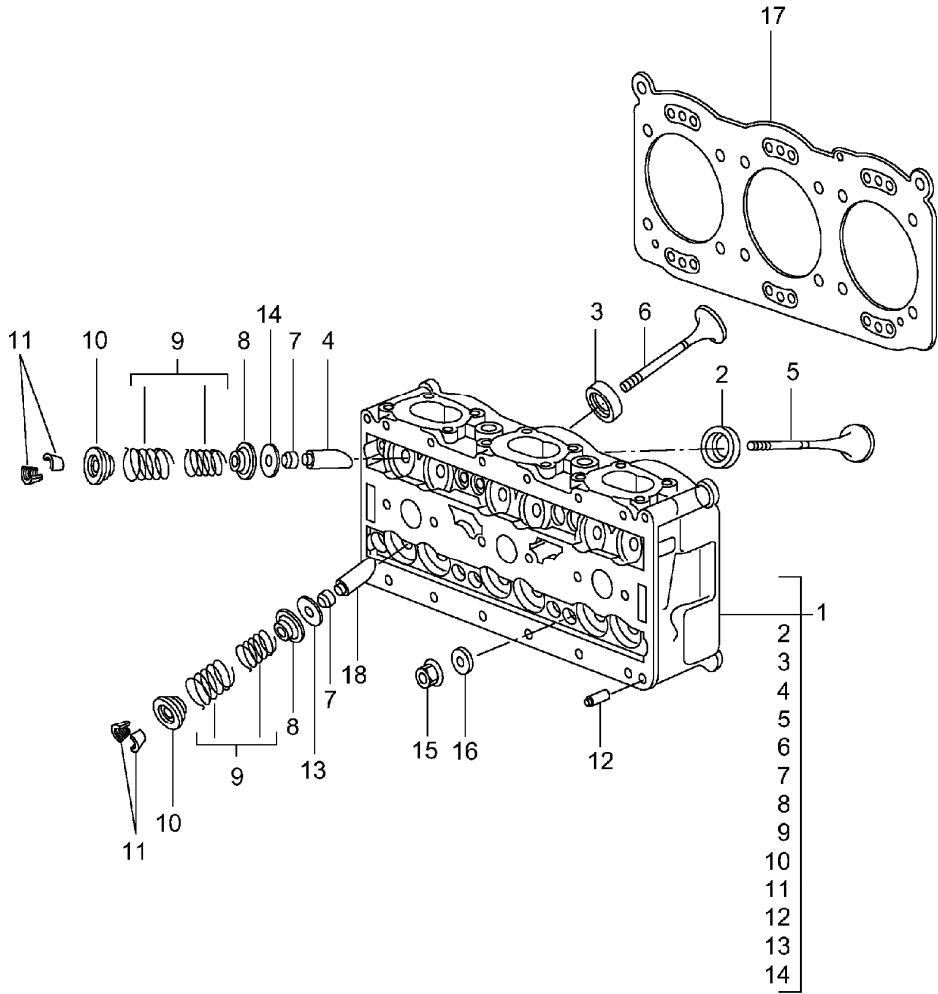
| Pos | Part Number | Description | Remark | Qty | Model | Pos | Part Number | Description | Remark | Qty | Model |
|------|------------------|--|--------|-----|-------|------|----------------|--|--------|-----|-------|
| 19 | 964 101 138 55 | bearing sleeve VIII oversize inner 0,50 MM | | 1 | | (27) | 000 043 024 00 | extreme-pressure grease 1 tube 80 Gr. for connecting-rod bearing | | 1 | |
| 19 | 964 101 138 65 | bearing sleeve VIII oversize outer 0,25 MM | | 1 | | | | | | | |
| 19 | 964 101 138 66 | bearing sleeve VIII oversize inner 0,25 MM outer 0,25 MM | | 1 | | | | | | | |
| 19 | 964 101 138 67 | bearing sleeve VIII oversize inner 0,50 MM outer 0,25 MM | | 1 | | | | | | | |
| 20 | 900 012 061 00 | straight pin 5 H 8 X 10 | | 1 | | | | | | | |
| 21 | 999 707 285 40 | o-ring 51 X 4,5 | | 1 | | | | | | | |
| 22 | 999 113 290 41 | sealing ring 30 X 50 X 10 | | 1 | | | | | | | |
| 23 | 996 114 012 50 | double-mass flywheel | | 1 | | | | | | | |
| 24 | 999 052 169 00 | deep-groove ball bearing 30 X 37 X 4 | | 1 | | | | | | | |
| 25 | 999 119 017 01 | pan-head screw M 10 X 1,25 X 62 | | 9 | | | | | | | |
| 26 | 900 302 046 01 | straight pin M 5 X 18 | | 1 | | | | | | | |
| 27 | A 000 043 300 12 | grease 100 GR. | | 1 | | | | | | | |
| (27) | 000 043 300 21 | grease 100 Gr. for titanium connecting rod bolt | | 1 | | | | | | | |

| | | | | | | | | | | | |
|-------|------|----|----|--------------|--------------|-----|-------|------------|---------|-----|---------|
| Model | Year | MG | SG | Illustration | Restrictions | UPD | 14:43 | 24.01.2010 | PORSCHE | PET | PORSCHE |
| 996T | 2005 | 1 | 02 | 102-05 | | 248 | | | | | |



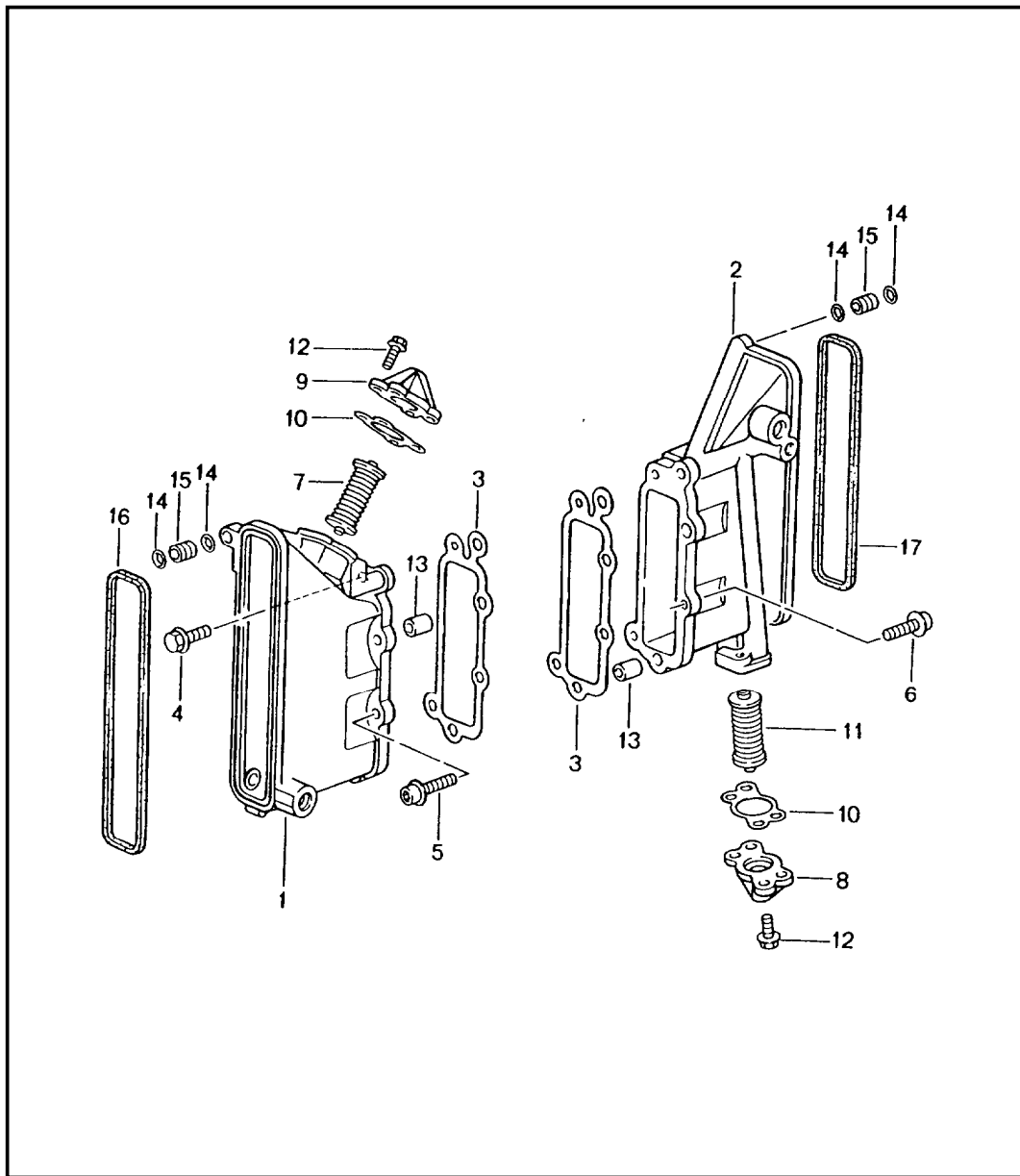
| Pos | Part Number | Description | Remark | Qty | Model |
|-------|----------------|---|--------|-----|-------|
| | | cylinder with piston see workshop manual | | | |
| 1 | 996 103 915 74 | cylinder with piston number plate /- 552 - 558 G | | 6 | |
| 1 | 996 103 916 73 | cylinder with piston number plate /+ 558 - 564 | | 6 | |
| (1) A | 996 103 915 79 | cylinder with piston number plate /- 552 - 558 G | -03 | 6 | GT2 |
| (1) | 996 103 915 80 | cylinder with piston number plate /- 552 - 558 G | | 6 | GT2 |
| (1) | 996 103 916 78 | cylinder with piston number plate /+ 558 - 564 G | | 6 | GT2 |
| 2 | 996 103 925 70 | set of piston rings | | 6 | |
| 3 | 999 178 016 00 | circlip | | 12 | |
| 4 | 996 101 311 75 | housing | | 2 | |
| 5 | 900 012 046 00 | straight pin A 8,0 X 14 | | 8 | |
| 6 | 999 707 393 40 | o-ring 104,00 X 2,00 | | 6 | |
| 7 | 999 707 394 40 | o-ring 110,00 X 2,50 | | 12 | |
| 8 | 996 101 193 72 | cylinder base gasket | | 2 | |
| 9 | 996 606 125 00 | knock sensor | | 2 | |
| 10 | 900 378 033 09 | hexagon-head bolt AM 8 X 30 | | 2 | |
| 11 | 000 043 205 10 | grease 80 GR. | | 1 | |

| | | | | | | | | | | | |
|-------|------|----|----|--------------|--------------|-----|-------|------------|---------|-----|---------|
| Model | Year | MG | SG | Illustration | Restrictions | UPD | 14:43 | 24.01.2010 | PORSCHE | PET | PORSCHE |
| 996T | 2005 | 1 | 03 | 103-00 | | 248 | | | | | |



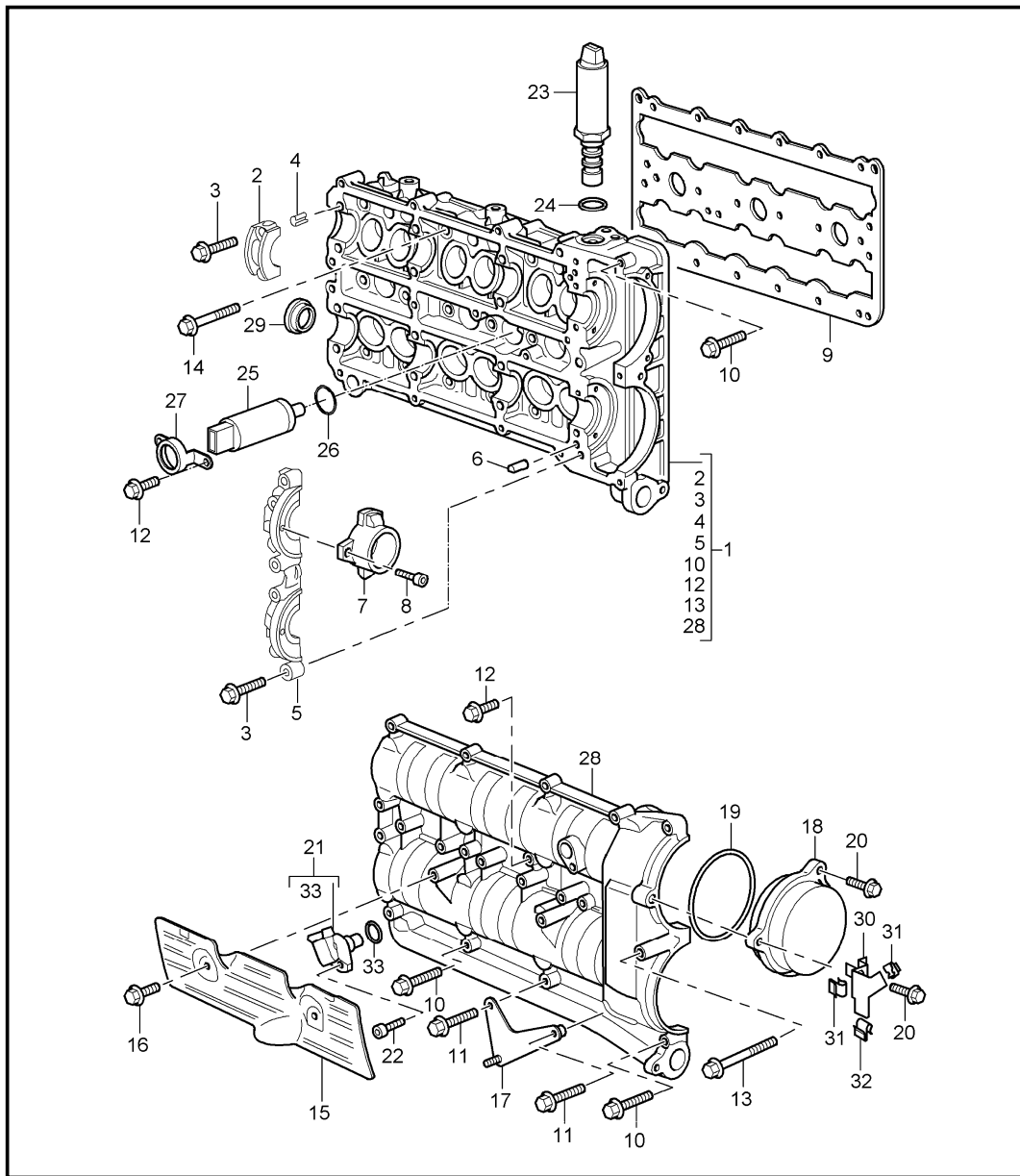
| Pos | Part Number | Description | Remark | Qty | Model |
|-----|------------------|---|--------|-----|-------|
| | | cylinder head | | | |
| 1 | 996 104 001 76 | cylinder head ready for installation | | 2 | |
| 5 | 996 105 111 72 | intake valve | | 12 | |
| 6 | 996 105 113 72 | exhaust valve | | 12 | |
| 7 | 996 105 115 52 | valve stem seal | | 24 | |
| 8 | 996 105 117 73 | concave washer | | 24 | |
| 9 | 996 105 093 70 | set of valve springs | | 24 | |
| 10 | 996 105 121 73 | concave washer | | 24 | |
| 11 | 996 105 123 52 | valve collet | | 48 | |
| 12 | 900 012 046 00 | straight pin | | 4 | |
| 13 | K 996 105 461 90 | washer | | 12 | |
| 14 | 996 105 491 70 | spacer ring | | 12 | |
| 15 | A 996 104 382 70 | cylinder head nut | | 24 | |
| 15 | 996 104 382 71 | cylinder head nut | | 24 | |
| 17 | 996 104 170 72 | cylinder head gasket | | 2 | |

| | | | | | | | | | | | |
|-------|------|----|----|--------------|--------------|-----|-------|------------|---------|-----|---------|
| Model | Year | MG | SG | Illustration | Restrictions | UPD | 14:43 | 24.01.2010 | PORSCHE | PET | PORSCHE |
| 996T | 2005 | 1 | 03 | 103-05 | | 248 | | | | | |



| Pos | Part Number | Description | Remark | Qty | Model |
|-----|----------------|--------------------------------|--------|-----|-------|
| | | chain case chain adjuster | | | |
| 1 | 996 105 143 77 | chain case | /L | 1 | |
| 2 | 996 105 144 77 | chain case | /R | 1 | |
| 3 | 996 105 192 71 | gasket | | 2 | |
| 4 | 900 378 022 09 | hexagon-head bolt AM 8 X 25 | | 1 | |
| 5 | 900 067 276 02 | pan-head screw M 8 X 35 | | 4 | |
| 6 | 900 067 247 02 | combination screw M 8 X 30 | | 5 | |
| 7 | 959 105 051 01 | chain adjuster | /L | 1 | |
| 8 | 993 105 022 01 | lid | /R | 1 | |
| 9 | 996 105 023 70 | lid | /L | 1 | |
| 10 | 964 105 177 03 | gasket | | 2 | |
| 11 | 959 105 052 01 | chain adjuster | /R | 1 | |
| 12 | 900 378 030 09 | hexagon-head bolt | | 4 | |
| 13 | 901 101 145 00 | dowel sleeve | | 4 | |
| 14 | 999 707 229 40 | o-ring 9,25 X 1,78 | | 4 | |
| 15 | 996 105 229 90 | intermediate piece | | 2 | |
| 16 | 996 105 513 72 | gasket | /L | 1 | |
| 17 | 996 105 514 72 | gasket | /R | 1 | |

| | | | | | | | | | | | |
|-------|------|----|----|--------------|--------------|-----|-------|------------|---------|-----|---------|
| Model | Year | MG | SG | Illustration | Restrictions | UPD | 14:43 | 24.01.2010 | PORSCHE | PET | PORSCHE |
| 996T | 2005 | 1 | 03 | 103-10 | | 248 | | | | | |

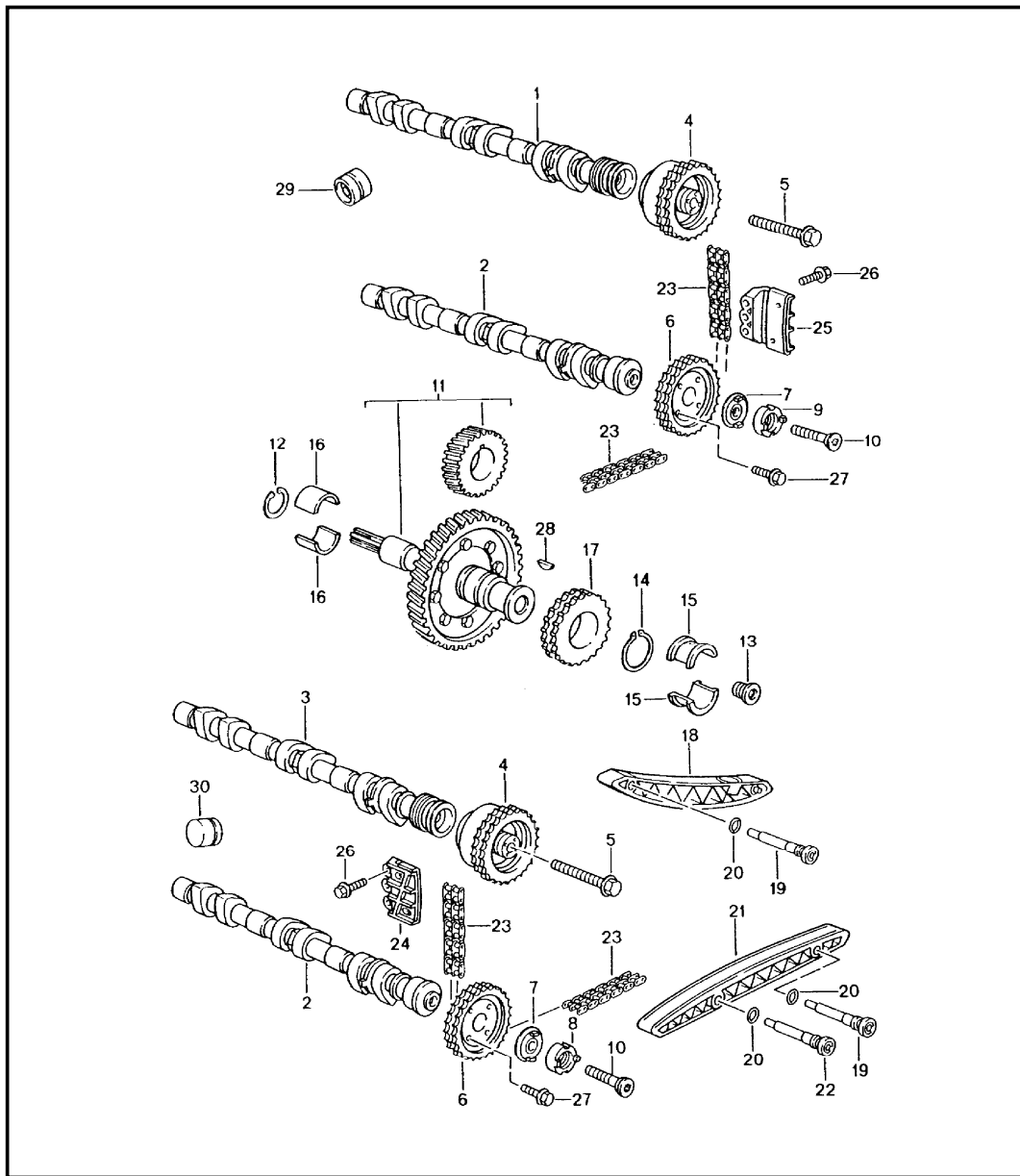


| Pos | Part Number | Description | Remark | Qty | Model |
|------|------------------|--------------------------------|--------|-----|-------|
| | | camshaft housing | | | |
| 1 | A 996 105 029 77 | camshaft housing | /L | 1 | |
| 1 | A 996 105 039 70 | camshaft housing | /L | 1 | |
| (1) | 996 105 941 70 | camshaft housing | /L | 1 | |
| (1) | 996 105 940 70 | camshaft housing | /R | 1 | |
| 2 | --- | housing | | 12 | |
| 3 | 900 378 177 09 | hexagon-head bolt AM 6 X 30 | | 32 | |
| 4 | 944 104 361 00 | dowel sleeve | | 24 | |
| 5 | --- | housing | | 2 | |
| 6 | 900 012 071 00 | straight pin A 4,0 X 8 | | 4 | |
| 7 | 996 105 233 72 | Oil-conducting housing | /L | 1 | |
| (7) | 996 105 234 72 | Oil-conducting housing | /R | 1 | |
| 8 | 900 067 051 02 | pan-head screw M 5 X 10 | | 6 | |
| 9 | A 996 105 613 74 | gasket | /L | 1 | |
| 9 | 996 105 613 75 | gasket | /L | 1 | |
| (9) | A 996 105 614 74 | gasket | /R | 1 | |
| (9) | 996 105 614 75 | gasket | /R | 1 | |
| 10 | 900 378 174 09 | hexagon-head bolt AM 6 X 35 | | 22 | |
| 11 | 900 378 029 09 | hexagon-head bolt M 6 X 40 | | 6 | |
| 12 | 900 378 013 09 | hexagon-head bolt AM 6 X 25 | | 16 | |
| 13 | 900 378 151 09 | hexagon-head bolt M 6 X 70 | | 2 | |
| 14 | 900 378 224 09 | hexagon-head bolt AM 8 X 50 | | 36 | |
| 15 | 996 104 426 73 | heat shield | /R | 1 | |
| (15) | 996 104 427 74 | heat shield | /L | 1 | |

| | | | | | | | | | | | |
|-------|------|----|----|--------------|--------------|-----|-------|------------|---------|-----|---------|
| Model | Year | MG | SG | Illustration | Restrictions | UPD | 14:43 | 24.01.2010 | PORSCHE | PET | PORSCHE |
| 996T | 2005 | 1 | 03 | 103-10 | | 248 | | | | | |

| Pos | Part Number | Description | Remark | Qty | Model | Pos | Part Number | Description | Remark | Qty | Model |
|-----|------------------|---|--------|-----|-------|-----|----------------|--|--------|-----|-------|
| 16 | 900 378 036 09 | hexagon-head bolt M 6 X 12 | | 4 | | -- | 000 043 024 00 | extreme-pressure grease 1 tube 80 Gr. for camshaft | | 1 | |
| 18 | 996 105 315 74 | lid | | 2 | | | | | | | |
| 19 | A 999 707 482 40 | o-ring 90,00 X 2,5 | | 2 | | -- | 000 043 204 58 | sealing compound Silicon FD 2210 container 30 g | | 1 | |
| 19 | 999 707 482 41 | o-ring 90,00 X 2,5 | | 2 | | | | | | | |
| 20 | 900 378 030 09 | hexagon-head bolt M 6 X 20 | | 6 | | | | | | | |
| 21 | 996 606 106 02 | hall sender | -02 | 2 | | | | | | | |
| 21 | 996 606 106 03 | hall sender | 03- | 2 | | | | | | | |
| 22 | 900 067 117 09 | pan-head screw M 6 X 16 | | 2 | | | | | | | |
| 23 | 996 105 303 71 | actuator camshaft | | 2 | | | | | | | |
| 24 | 999 707 504 40 | o-ring 24 X 2,50 | | 2 | | | | | | | |
| 25 | 996 105 301 71 | actuator valve valve | | 2 | | | | | | | |
| 26 | 999 707 409 40 | o-ring 26 X 3 | | 2 | | | | | | | |
| 27 | 996 105 310 72 | support | | 2 | | | | | | | |
| 28 | - | lid matching with: camshaft housing | /L | 1 | | | | | | | |
| 29 | 996 105 329 70 | lid | | 4 | | | | | | | |
| 30 | 996 606 167 02 | support | | 2 | | | | | | | |
| 31 | 999 507 753 03 | cable clamp 5,7 - 7,0 | | 2 | | | | | | | |
| 32 | 999 651 386 02 | cable clamp 5,5 - 9,0 | | 1 | | | | | | | |
| 33 | 999 707 404 40 | o-ring 17,05 X 1,78 | | 2 | | | | | | | |
| -- | 996 607 117 00 | support for connector | | 1 | | | | | | | |

| | | | | | | | | | | | |
|-------|------|----|----|--------------|--------------|-----|-------|------------|---------|-----|---------|
| Model | Year | MG | SG | Illustration | Restrictions | UPD | 14:44 | 24.01.2010 | PORSCHE | PET | PORSCHE |
| 996T | 2005 | 1 | 03 | 103-15 | | 248 | | | | | |

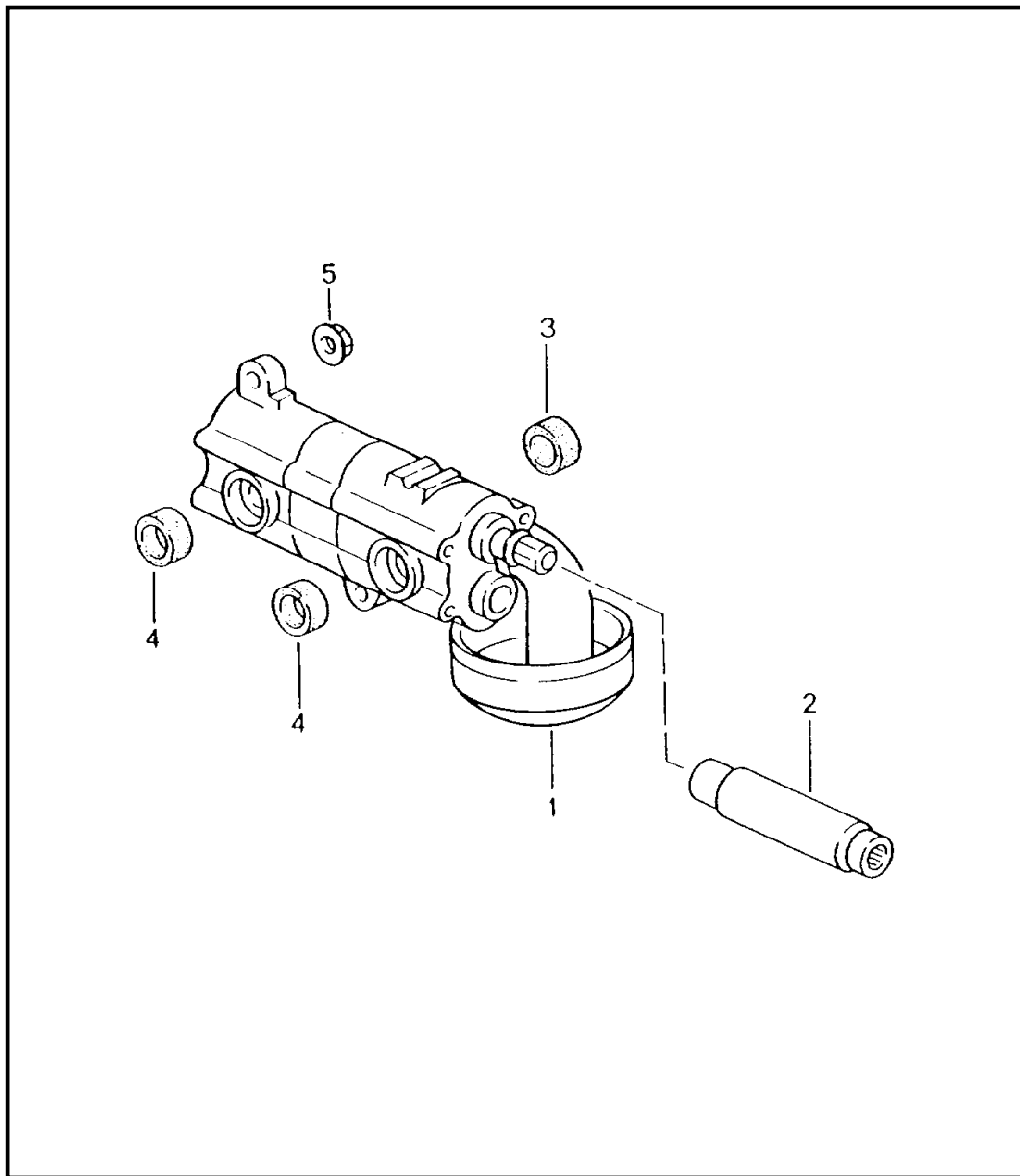


| Pos | Part Number | Description | Remark | Qty | Model |
|-----|------------------|--|--------|-----|-------|
| | | valve control | | | |
| 1 | 996 105 020 71 | camshaft intake cylinder 4-6 | | 1 | |
| 2 | 996 105 213 71 | camshaft exhaust | | 2 | |
| 3 | 996 105 019 71 | camshaft intake cylinder 1-3 | | 1 | |
| 4 | 996 105 051 73 | actuator | | 2 | |
| 5 | A 900 378 087 09 | hexagon-head bolt M 12 X 1,5 X 120 | | 2 | |
| 5 | 900 378 291 01 | hexagon-head bolt M 12 X 1,5 X 120 | | 2 | |
| 6 | 996 105 178 91 | sprocket | | 2 | |
| 7 | 996 105 647 80 | washer | | 2 | |
| 8 | 959 105 161 00 | drive plate | | 1 | |
| 9 | 959 105 161 01 | drive plate | | 1 | |
| 10 | 996 105 313 90 | hexagon socket head bolt | | 2 | |
| 11 | 996 105 911 70 | intermediate shaft with timing gear size 0 | | 1 | |
| 11 | 996 105 911 71 | intermediate shaft with timing gear size 1 | | 1 | |
| 12 | 900 041 026 01 | circlip 13 X 1 | | 1 | |
| 13 | 993 105 275 52 | intermediate piece | | 1 | |
| 14 | 900 041 025 01 | circlip 36 X 1,75 | | 2 | |
| 15 | 996 101 137 80 | bearing | | 2 | |
| 16 | 996 101 435 70 | bearing shell | | 2 | |
| 17 | 901 105 125 04 | sprocket | | 2 | |

| | | | | | | | | | | | |
|-------|------|----|----|--------------|--------------|-----|-------|------------|---------|-----|---------|
| Model | Year | MG | SG | Illustration | Restrictions | UPD | 14:44 | 24.01.2010 | PORSCHE | PET | PORSCHE |
| 996T | 2005 | 1 | 03 | 103-15 | | 248 | | | | | |

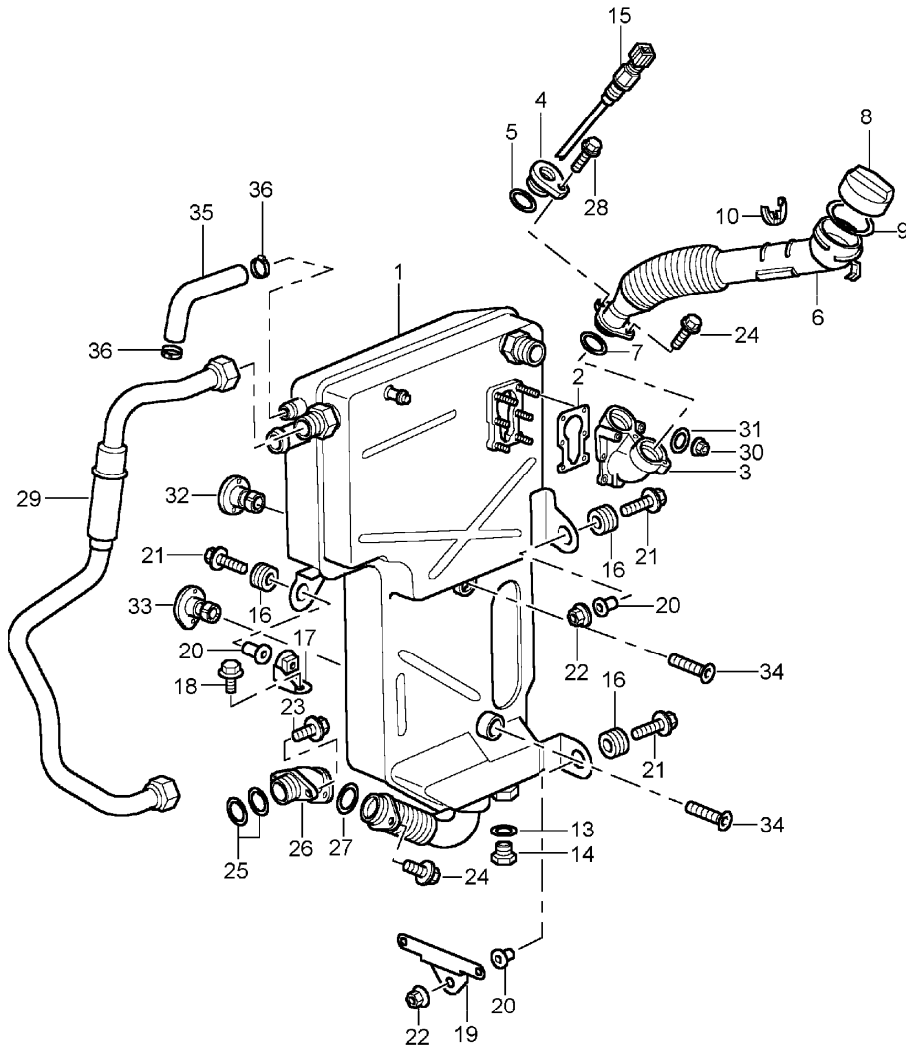
| Pos | Part Number | Description | Remark | Qty | Model | Pos | Part Number | Description | Remark | Qty | Model |
|------|------------------|--|--------|-----|-------|-----|-------------|-------------|--------|-----|-------|
| 18 | 996 105 165 71 | tensioner blade | | 2 | | | | | | | |
| 19 | 964 105 171 02 | bolt | | 4 | | | | | | | |
| 20 | A 900 123 131 30 | sealing ring | | 6 | | | | | | | |
| (20) | 900 123 152 30 | sealing ring | | 6 | | | | | | | |
| 21 | 996 105 167 70 | guide rail | /L | 1 | | | | | | | |
| (21) | 996 105 166 70 | guide rail | /R | 1 | | | | | | | |
| 22 | 959 105 175 01 | bearing pin | | 2 | | | | | | | |
| 23 | 996 105 552 71 | timing chain | | 2 | | | | | | | |
| 24 | 996 105 037 74 | guide rail | /L | 1 | | | | | | | |
| 25 | 996 105 038 74 | guide rail | /R | 1 | | | | | | | |
| 26 | A 900 378 157 09 | hexagon-head bolt AM 6 X 25 | | 6 | | | | | | | |
| 27 | 900 378 030 09 | hexagon-head bolt M 6 X 20 | | 8 | | | | | | | |
| 28 | 900 118 010 00 | woodruff key 6,0 X 7,5 | | 2 | | | | | | | |
| 29 | 996 105 255 20 | hydraulic valve tappet intake | | 12 | | | | | | | |
| 30 | 996 105 041 72 | hydraulic valve tappet exhaust | | 12 | | | | | | | |
| -- | 996 105 280 74 | ring | | 6 | | | | | | | |
| -- | 000 043 024 00 | extreme-pressure grease 1 tube 80 Gr. for camshaft | | 1 | | | | | | | |

| | | | | | | | | | | | |
|-------|------|----|----|--------------|--------------|-----|-------|------------|---------|-----|---------|
| Model | Year | MG | SG | Illustration | Restrictions | UPD | 14:44 | 24.01.2010 | PORSCHE | PET | PORSCHE |
| 996T | 2005 | 1 | 04 | 104-00 | | 248 | | | | | |



| Pos | Part Number | Description | Remark | Qty | Model |
|-------|----------------|---------------------------|--------|-----|-------------|
| | | oil pump | | | |
| 1 | 996 107 008 70 | oil pump | | 1 | |
| (1) K | 996 107 007 93 | oil pump | | 1 | GT2 IX50 |
| 2 | 930 107 143 03 | connecting shaft | | 1 | |
| 3 | 999 704 173 50 | sealing ring 19,5 X 26 | | 1 | |
| 4 | 999 704 172 50 | sealing ring 16,3 X 22 | | 2 | |
| 5 | 900 380 005 09 | lock nut M 8 | | 3 | |

| | | | | | | | | | | | |
|-------|------|----|----|--------------|--------------|-----|-------|------------|---------|-----|---------|
| Model | Year | MG | SG | Illustration | Restrictions | UPD | 14:44 | 24.01.2010 | PORSCHE | PET | PORSCHE |
| 996T | 2005 | 1 | 04 | 104-05 | | 248 | | | | | |

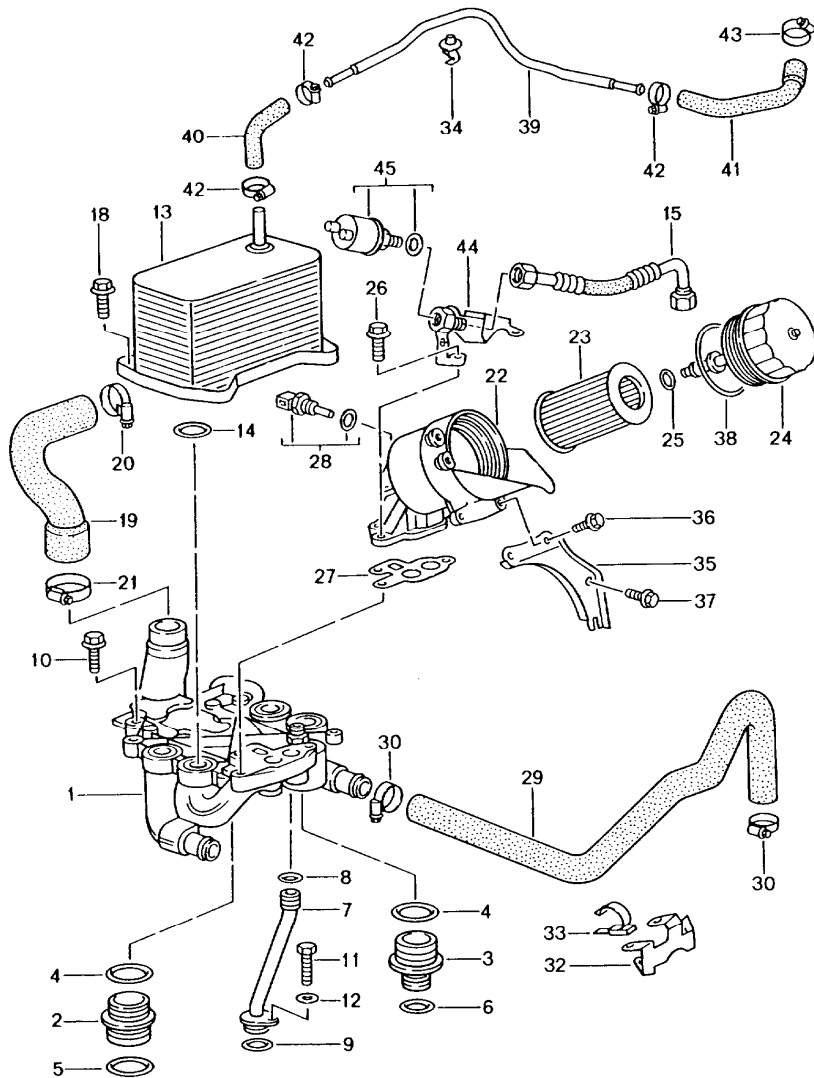


| Pos | Part Number | Description | Remark | Qty | Model |
|-----|----------------|--|--------|-----|-------|
| | | engine lubrication oil tank | | | |
| 1 | 996 207 070 72 | oil tank | | 1 | |
| 2 | 993 207 226 00 | gasket | | 1 | |
| 3 | 996 207 150 72 | intermediate piece | | 1 | |
| 4 | 996 207 212 70 | flange | | 1 | |
| 5 | 999 707 343 40 | o-ring 25,07 X 2,62 | | 1 | |
| 6 | 996 207 016 70 | filler tube with oil level dipstick mounting | | 1 | |
| (6) | 996 107 150 59 | filler tube without oil level dipstick mounting | | 1 | |
| 7 | 999 707 481 40 | o-ring 24 X 3,0 | | 1 | |
| 8 A | 996 107 035 50 | lid | | 1 | |
| (8) | 996 107 035 51 | lid | | 1 | |
| 9 A | 999 707 285 40 | o-ring 51 X 4,5 | | 1 | |
| (9) | 996 107 336 00 | gasket | | 1 | |
| 10 | 996 113 250 71 | retaining bracket for filler tube | | 1 | |
| 13 | 900 123 010 20 | sealing ring | | 1 | |
| 14 | 900 065 018 00 | screw plug | | 1 | |
| 15 | 996 606 140 00 | oil-level sender | | 1 | |
| 16 | 999 702 193 40 | rubber sleeve 17,0 X 24,0 X 1,8 | | 3 | |
| 17 | 996 207 407 72 | support | | 1 | |
| 18 | 900 378 074 09 | hexagon-head bolt M 8 X 16 | | 1 | |
| 19 | 996 207 417 73 | support | | 1 | |

| | | | | | | | | | | | |
|-------|------|----|----|--------------|--------------|-----|-------|------------|---------|-----|---------|
| Model | Year | MG | SG | Illustration | Restrictions | UPD | 14:44 | 24.01.2010 | PORSCHE | PET | PORSCHE |
| 996T | 2005 | 1 | 04 | 104-05 | | 248 | | | | | |

| Pos | Part Number | Description | Remark | Qty | Model | Pos | Part Number | Description | Remark | Qty | Model |
|-----|----------------|-------------------------------------|--------|-----|-------|-----|-------------|-------------|--------|-----|-------|
| 20 | 999 209 037 02 | spacer sleeve 8,4 X 1,8 | | 3 | | | | | | | |
| 21 | 900 378 108 09 | hexagon-head bolt AM 8 X 35 | | 3 | | | | | | | |
| 22 | 999 084 210 02 | lock nut M 8 | | 2 | | | | | | | |
| 23 | N 014 726 1 | pan-head screw M 8 X 30 | | 1 | | | | | | | |
| 24 | 900 378 035 01 | hexagon-head bolt M 6 X 16 | | 3 | | | | | | | |
| 25 | 999 707 316 40 | o-ring 21,89 X 2,62 | | 2 | | | | | | | |
| 26 | 996 207 012 74 | intake connection | | 1 | | | | | | | |
| 27 | 999 707 364 40 | sealing ring 30 X 2,5 | | 1 | | | | | | | |
| 28 | 900 378 030 09 | hexagon-head bolt M 6 X 20 | | 1 | | | | | | | |
| 29 | 996 107 027 73 | return line | | 1 | | | | | | | |
| 30 | 900 377 019 02 | hexagon nut M 5 | | 6 | | | | | | | |
| 32 | 996 207 207 71 | spacer | | 1 | | | | | | | |
| 33 | 996 207 206 71 | spacer | | 1 | | | | | | | |
| 34 | 900 249 061 09 | countersunk-head screw M 12 X 40 | | 2 | | | | | | | |
| 35 | 996 207 137 70 | hose | | 1 | | | | | | | |
| 36 | 999 512 346 00 | hose clamp 16 - 27/9 | | 2 | | | | | | | |

| | | | | | | | | | | | |
|-------|------|----|----|--------------|--------------|-----|-------|------------|---------|-----|---------|
| Model | Year | MG | SG | Illustration | Restrictions | UPD | 14:44 | 24.01.2010 | PORSCHE | PET | PORSCHE |
| 996T | 2005 | 1 | 04 | 104-10 | | 248 | | | | | |

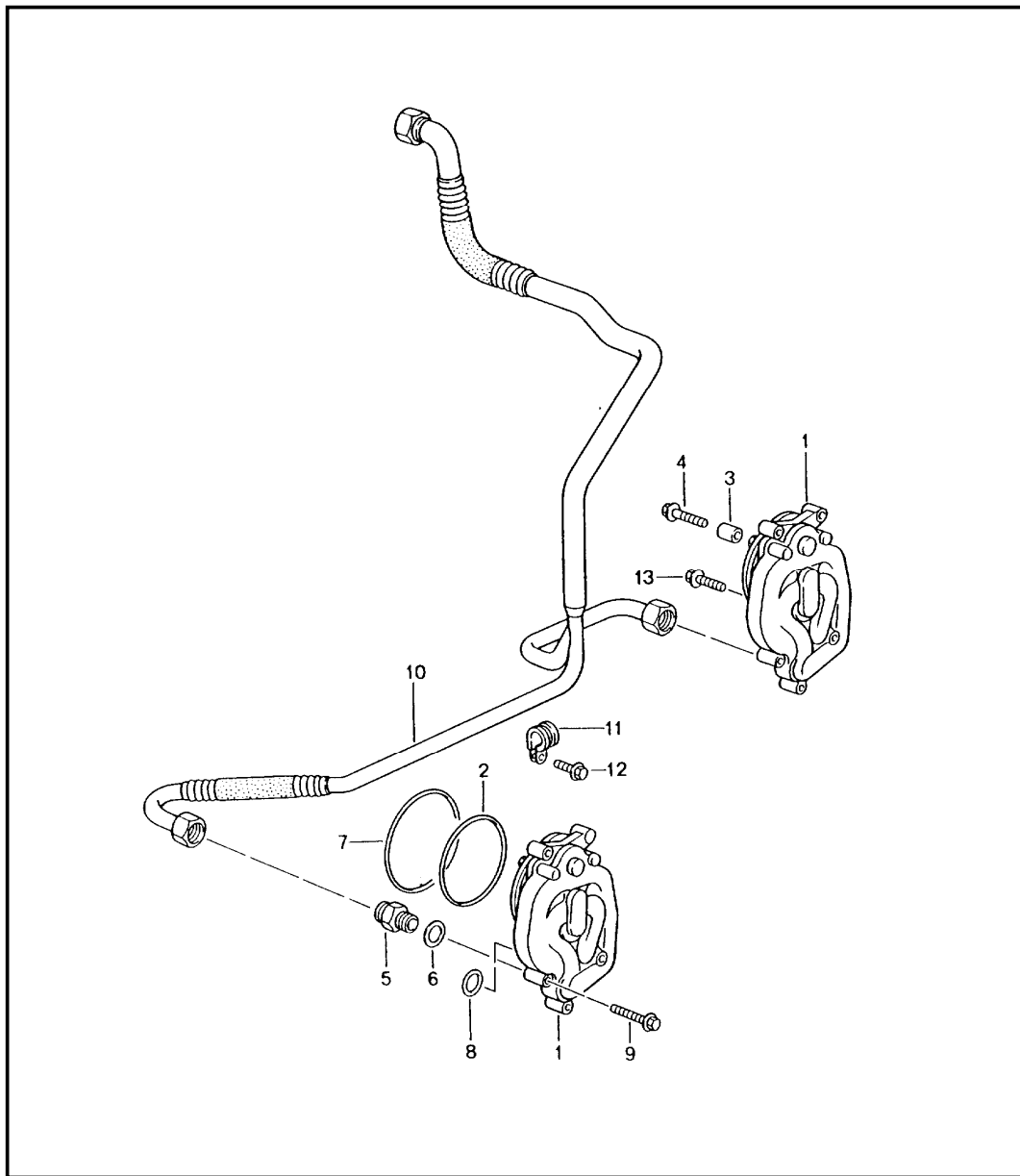


| Pos | Part Number | Description | Remark | Qty | Model |
|-----|------------------|-------------------------------|--------|-----|-------|
| 1 | 996 107 033 73 | oil filter bracket | | 1 | |
| 2 | 996 107 441 71 | joining socket | | 1 | |
| 3 | 996 107 451 72 | joining socket | | 1 | |
| 4 | 999 707 422 40 | o-ring 32,92 X 3,53 | | 2 | |
| 5 | 999 707 426 40 | o-ring 37,69 X 3,53 | | 1 | |
| 6 | 999 707 113 40 | round seal 20,22 X 3,53 | | 1 | |
| 7 | 996 107 311 72 | return pipe | | 1 | |
| 8 | 999 701 789 40 | o-ring 12,00 X 2,00 | | 1 | |
| 9 | 999 707 446 40 | o-ring 18,00 X 2,5 | | 1 | |
| 10 | 900 075 341 02 | combination screw M 6 X 25 | | 4 | |
| 11 | 900 378 177 09 | hexagon-head bolt M 6 X 30 | | 1 | |
| 12 | N 011 524 7 | washer A 6,4 | | 1 | |
| 13 | 996 107 025 71 | heat exchanger | | 1 | |
| 14 | 999 707 409 40 | o-ring 26,00 X 3,00 | | 4 | |
| 15 | 996 107 226 71 | oil pipe | | 1 | |
| 18 | 900 378 035 01 | hexagon-head bolt M 6 X 16 | | 4 | |
| 19 | 996 207 143 70 | breather hose | | 1 | |
| 20 | 999 512 252 02 | hose clamp 23 - 35/9 | | 3 | |
| 21 | 999 512 348 02 | hose clamp 40 - 60/9 | | 1 | |
| 22 | 996 107 201 74 | housing | | 1 | |
| 23 | A 996 107 225 52 | filter element | | 1 | |

| | | | | | | | | | | | |
|-------|------|----|----|--------------|--------------|-----|-------|------------|---------|-----|---------|
| Model | Year | MG | SG | Illustration | Restrictions | UPD | 14:44 | 24.01.2010 | PORSCHE | PET | PORSCHE |
| 996T | 2005 | 1 | 04 | 104-10 | | 248 | | | | | |

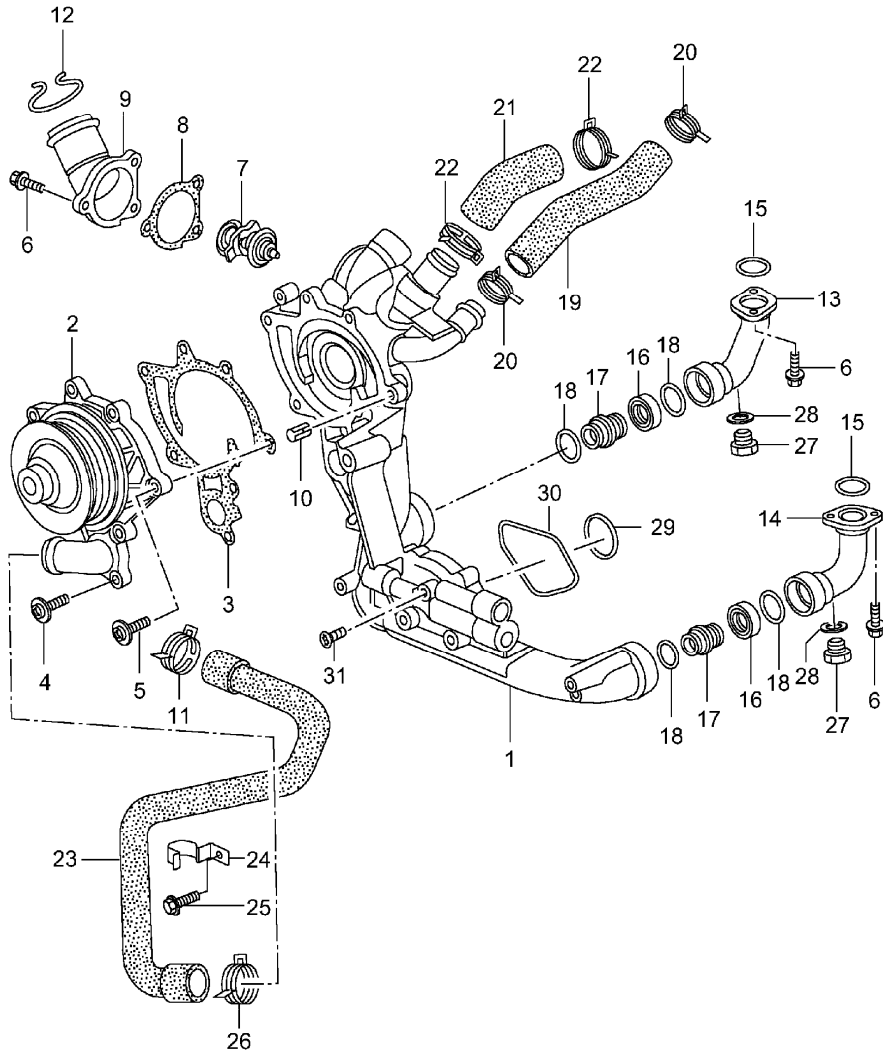
| Pos | Part Number | Description | Remark | Qty | Model | Pos | Part Number | Description | Remark | Qty | Model |
|-----|----------------|--------------------------------|--------|-----|-------|-----|-------------|-------------|--------|-----|-------|
| 23 | 996 107 225 53 | filter element | | 1 | | | | | | | |
| 24 | 996 107 285 70 | lid | | 1 | | | | | | | |
| 25 | 999 707 465 40 | o-ring 10 X 2 | | 1 | | | | | | | |
| 26 | 900 378 022 09 | hexagon-head bolt AM 8 X 25 | | 3 | | | | | | | |
| 27 | 996 107 217 70 | gasket | | 1 | | | | | | | |
| 28 | 996 606 410 00 | temperature sensor | | 1 | | | | | | | |
| 29 | 996 106 328 72 | water hose return line | | 1 | | | | | | | |
| 30 | 999 512 356 02 | hose clamp 25 - 40 | | 2 | | | | | | | |
| 32 | 996 106 551 70 | support | | 1 | | | | | | | |
| 33 | 999 651 300 40 | hose holder | | 1 | | | | | | | |
| 34 | 999 507 699 40 | line bracket | | 1 | | | | | | | |
| 35 | 996 107 301 72 | support | | 1 | | | | | | | |
| 36 | 900 378 108 09 | hexagon-head bolt AM 8 X 35 | | 2 | | | | | | | |
| 37 | 900 378 013 09 | hexagon-head bolt AM 6 X 25 | | 2 | | | | | | | |
| 38 | 996 107 313 51 | sealing ring | | 1 | | | | | | | |
| 39 | 996 106 229 73 | vent line | | 1 | | | | | | | |
| 40 | 996 106 537 72 | breather hose | | 1 | | | | | | | |
| 41 | 996 106 531 73 | breather hose | | 1 | | | | | | | |
| 42 | 999 512 427 02 | hose clamp 8 - 16 / 9 | | 3 | | | | | | | |
| 43 | 999 512 554 00 | hose clamp 12 - 22 / 9 | | 1 | | | | | | | |
| 44 | 996 107 032 70 | support | | 1 | | | | | | | |
| 45 | 996 606 203 00 | oil pressure switch | | 1 | | | | | | | |

| | | | | | | | | | | | |
|-------|------|----|----|--------------|--------------|-----|-------|------------|---------|-----|---------|
| Model | Year | MG | SG | Illustration | Restrictions | UPD | 14:44 | 24.01.2010 | PORSCHE | PET | PORSCHE |
| 996T | 2005 | 1 | 04 | 104-20 | | 248 | | | | | |



| Pos | Part Number | Description | Remark | Qty | Model |
|-----|----------------|-------------------------------|--------|-----|-------|
| | | oil supply return line | | | |
| 1 | 996 107 021 72 | oil pump | | 2 | |
| 2 | 999 707 425 40 | o-ring 85,32 X 3,53 | | 2 | |
| 3 | 996 104 117 50 | dowel sleeve | | 4 | |
| 4 | 900 378 177 09 | hexagon-head bolt M 6 X 30 | | 4 | |
| 5 | 900 915 006 02 | union A 15 | | 2 | |
| 6 | 900 123 106 30 | sealing ring A 18 X 24 | | 2 | |
| 7 A | 999 707 482 40 | o-ring 90,00 X 2,5 | | 2 | |
| 7 | 999 707 482 41 | o-ring 90,00 X 2,5 | | 2 | |
| 8 | 999 707 499 40 | o-ring 21,00 X 3,00 | | 4 | |
| 9 | 900 378 174 09 | hexagon-head bolt M 6 X 35 | | 6 | |
| 10 | 996 107 019 72 | return line | | 1 | |
| 11 | 999 511 250 02 | clamp | | 1 | |
| 12 | 900 378 036 09 | hexagon-head bolt M 6 X 12 | | 1 | |
| 13 | 900 378 013 09 | hexagon-head bolt M 6 X 25 | | 4 | |

| | | | | | | | | | | | |
|-------|------|----|----|--------------|--------------|-----|-------|------------|---------|-----|---------|
| Model | Year | MG | SG | Illustration | Restrictions | UPD | 14:45 | 24.01.2010 | PORSCHE | PET | PORSCHE |
| 996T | 2005 | 1 | 05 | 105-00 | | 248 | | | | | |

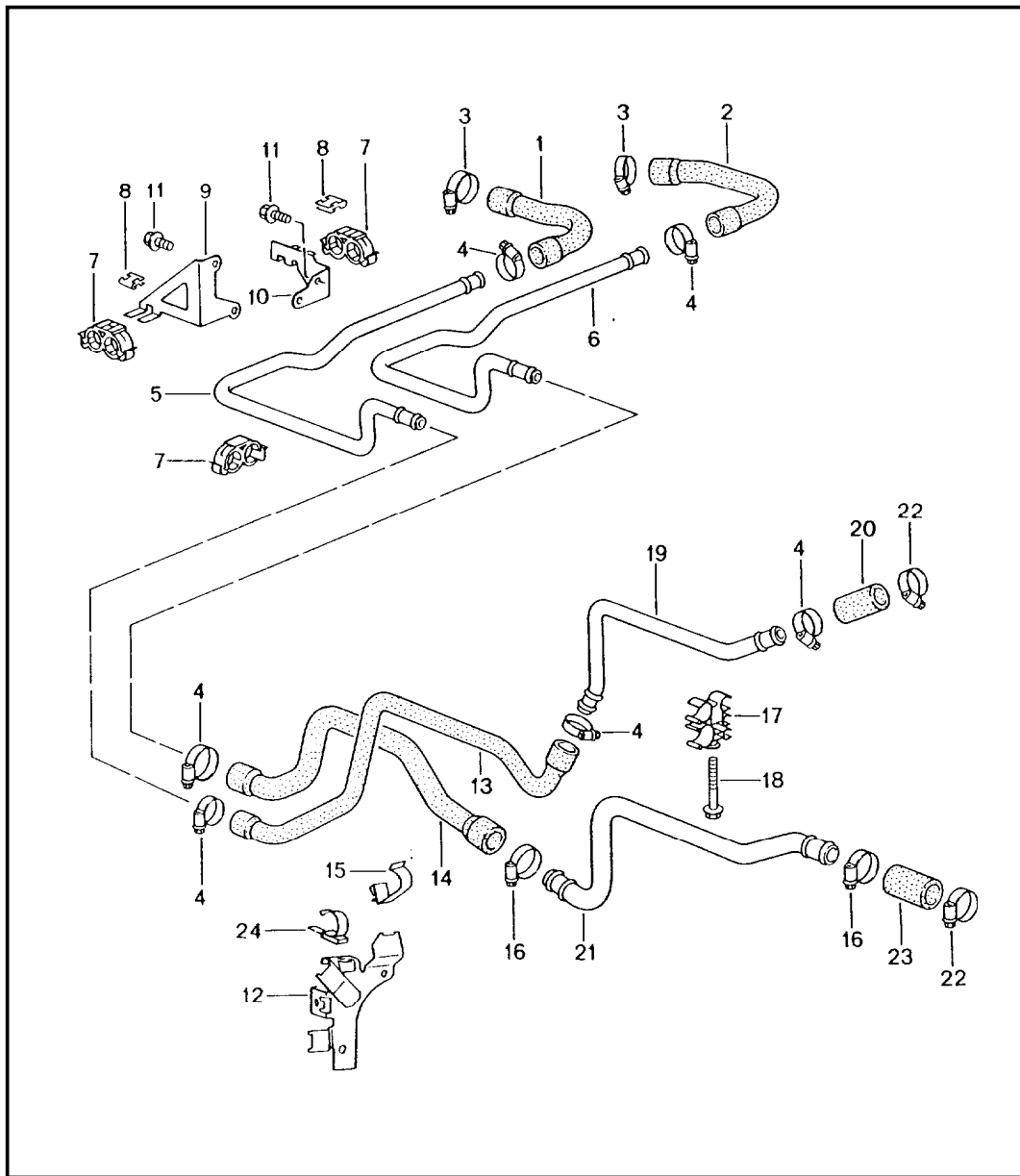


| Pos | Part Number | Description | Remark | Qty | Model |
|-----|----------------|--------------------------------|--------|-----|-------|
| | | water pump | | | |
| | | water pump housing | | | |
| 1 | 996 106 002 70 | water pump housing | | 1 | |
| 2 | 996 106 011 72 | water pump | | 1 | |
| 3 | 996 106 340 71 | gasket | | 1 | |
| 4 | 999 073 188 09 | oval-head screw M 6 X 25 | | 5 | |
| 5 | 999 073 110 09 | oval-head screw M 6 X 30 | | 2 | |
| 6 | 900 378 030 09 | hexagon-head bolt AM 6 X 20 | | 7 | |
| 7 | 996 106 125 70 | thermostat insert | | 1 | |
| 8 | 996 106 326 70 | gasket | | 1 | |
| 9 | 996 106 121 71 | lid | | 1 | |
| 10 | 996 106 103 50 | dowel sleeve 8,2 X 7 | | 2 | |
| 11 | 999 512 356 02 | hose clamp | | 1 | |
| 12 | 996 106 802 10 | retainer spring | | 1 | |
| 13 | 996 106 139 71 | connection piece | | 1 | |
| 14 | 996 106 140 71 | connection piece | | 1 | |
| 15 | 999 707 410 40 | o-ring 39,20 X 3,00 | | 2 | |
| 16 | 996 106 214 70 | protective ring | | 2 | |
| 17 | 996 106 238 71 | joining socket | | 2 | |
| 18 | 999 707 411 40 | o-ring 28,00 X 4,50 | | 4 | |
| 19 | 996 106 477 73 | hose | | 1 | |
| 20 | 999 512 551 00 | hose clamp 29 X 12 | | 2 | |
| 21 | 996 106 529 71 | hose | | 1 | |
| 22 | 999 512 356 02 | hose clamp 35 X 12 | | 2 | |
| 23 | 996 106 250 72 | hose | | 1 | |

| | | | | | | | | | | | |
|-------|------|----|----|--------------|--------------|-----|-------|------------|---------|-----|---------|
| Model | Year | MG | SG | Illustration | Restrictions | UPD | 14:45 | 24.01.2010 | PORSCHE | PET | PORSCHE |
| 996T | 2005 | 1 | 05 | 105-00 | | 248 | | | | | |

| Pos | Part Number | Description | Remark | Qty | Model | Pos | Part Number | Description | Remark | Qty | Model |
|-----|----------------|------------------------------------|--------|-----|-------|-----|-------------|-------------|--------|-----|-------|
| 24 | 996 106 550 70 | support | | 1 | | | | | | | |
| 25 | 900 378 036 09 | hexagon-head bolt M 6 X 12 | | 1 | | | | | | | |
| 26 | 999 512 356 02 | hose clamp 36 X 12 | | 1 | | | | | | | |
| 27 | 900 219 007 02 | screw plug M 10 X 1 | | 2 | | | | | | | |
| 28 | 900 123 144 30 | sealing ring A 10 X 13,5 | | 2 | | | | | | | |
| 29 | 999 707 315 40 | round seal 33,3 X 2,4 | | 1 | | | | | | | |
| 30 | 999 707 468 40 | round seal 68 X 2 | | 1 | | | | | | | |
| 31 | 999 073 013 02 | countersunk-head screw M 6 X 10 | | 1 | | | | | | | |

| | | | | | | | | | | | |
|-------|------|----|----|--------------|--------------|-----|-------|------------|---------|-----|---------|
| Model | Year | MG | SG | Illustration | Restrictions | UPD | 14:45 | 24.01.2010 | PORSCHE | PET | PORSCHE |
| 996T | 2005 | 1 | 05 | 105-03 | | 248 | | | | | |

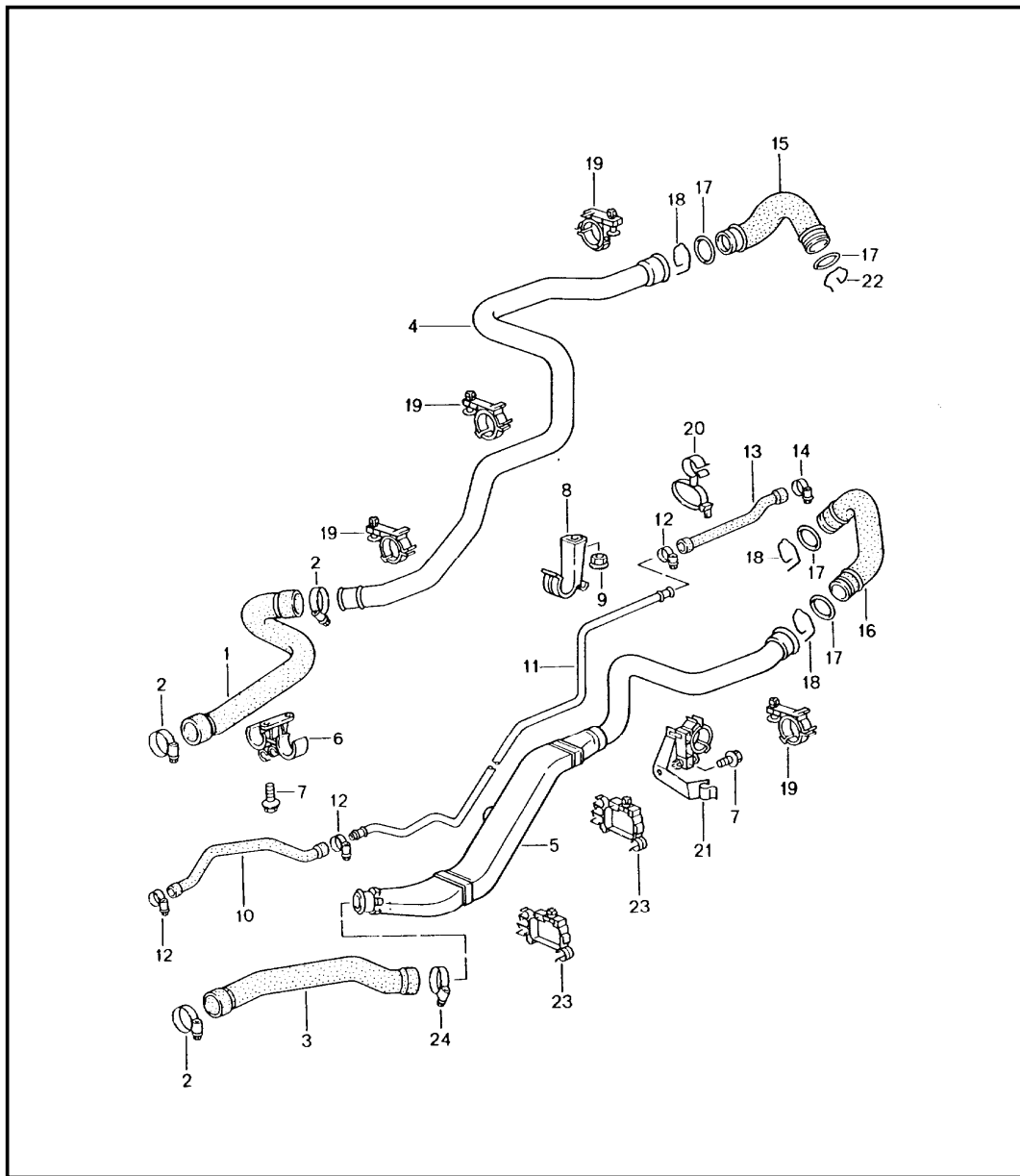


| Pos | Part Number | Description | Remark | Qty | Model |
|------|----------------|------------------------------|--------|-----|-------|
| 1 | 996 106 212 72 | lines heating hose supply | | 1 | |
| 2 | 996 106 222 72 | hose return line | | 1 | |
| 3 | 999 512 552 00 | hose clamp 25 X 12 | | 2 | |
| 4 | 999 512 657 09 | hose clamp 26 X 12 | | 6 | |
| 5 | 996 106 312 72 | water tube supply | | 1 | |
| 6 | 996 106 322 72 | water tube return line | | 1 | |
| 7 | 999 507 700 41 | hose holder 19 | | 3 | |
| 8 | 999 507 701 02 | u-clamp 14 X 18 X 24,5 | | 4 | |
| 9 | 996 106 533 72 | support | /L | 1 | M249 |
| (9) | 996 106 535 72 | support | /L | 1 | M480 |
| 10 | 996 106 534 71 | support | /R | 1 | M249 |
| (10) | 996 106 536 71 | support | /R | 1 | M480 |
| 11 | 900 378 036 09 | hexagon-head bolt M 6 X 12 | | 4 | |
| 12 | 996 106 523 74 | support | | 1 | M249 |
| (12) | 996 106 526 72 | support | | 1 | M480 |
| 13 | 996 106 432 72 | hose supply | | 1 | M249 |
| (13) | 996 106 434 72 | hose supply | | 1 | M480 |
| 14 | 996 106 422 72 | hose return line | | 1 | M249 |
| (14) | 996 106 422 73 | hose return line | | 1 | M249 |
| (14) | 996 106 424 72 | hose return line | | 1 | M480 |

| | | | | | | | | | | | |
|-------|------|----|----|--------------|--------------|-----|-------|------------|---------|-----|---------|
| Model | Year | MG | SG | Illustration | Restrictions | UPD | 14:45 | 24.01.2010 | PORSCHE | PET | PORSCHE |
| 996T | 2005 | 1 | 05 | 105-03 | | 248 | | | | | |

| Pos | Part Number | Description | Remark | Qty | Model | Pos | Part Number | Description | Remark | Qty | Model |
|------|----------------|--------------------------------|--------|-----|-------|-----|-------------|-------------|--------|-----|-------|
| (14) | 996 106 422 75 | hose return line | | 1 | GT2 | | | | | | |
| 15 | 999 507 720 02 | hose holder | | 3 | | | | | | | |
| 16 | 999 512 551 00 | hose clamp 32 X 12 | | 2 | | | | | | | |
| 17 | 996 106 455 71 | support | | 2 | | | | | | | |
| 18 | 900 378 113 09 | hexagon-head bolt AM 6 X 45 | | 2 | | | | | | | |
| 19 | 996 106 052 70 | water tube supply | | 1 | | | | | | | |
| -- | 999 511 744 40 | spacer | | 1 | | | | | | | |
| 20 | 996 106 233 72 | hose supply | | 1 | | | | | | | |
| 21 | 996 106 254 71 | water tube return line | | 1 | | | | | | | |
| 22 | 999 512 356 02 | hose clamp 25 - 40/9 | | 2 | | | | | | | |
| 23 | 996 106 512 72 | hose return line | | 1 | | | | | | | |
| 24 | 999 651 300 40 | hose holder | | 2 | | | | | | | |

| | | | | | | | | | | | |
|-------|------|----|----|--------------|--------------|-----|-------|------------|---------|-----|---------|
| Model | Year | MG | SG | Illustration | Restrictions | UPD | 14:45 | 24.01.2010 | PORSCHE | PET | PORSCHE |
| 996T | 2005 | 1 | 05 | 105-05 | | 248 | | | | | |

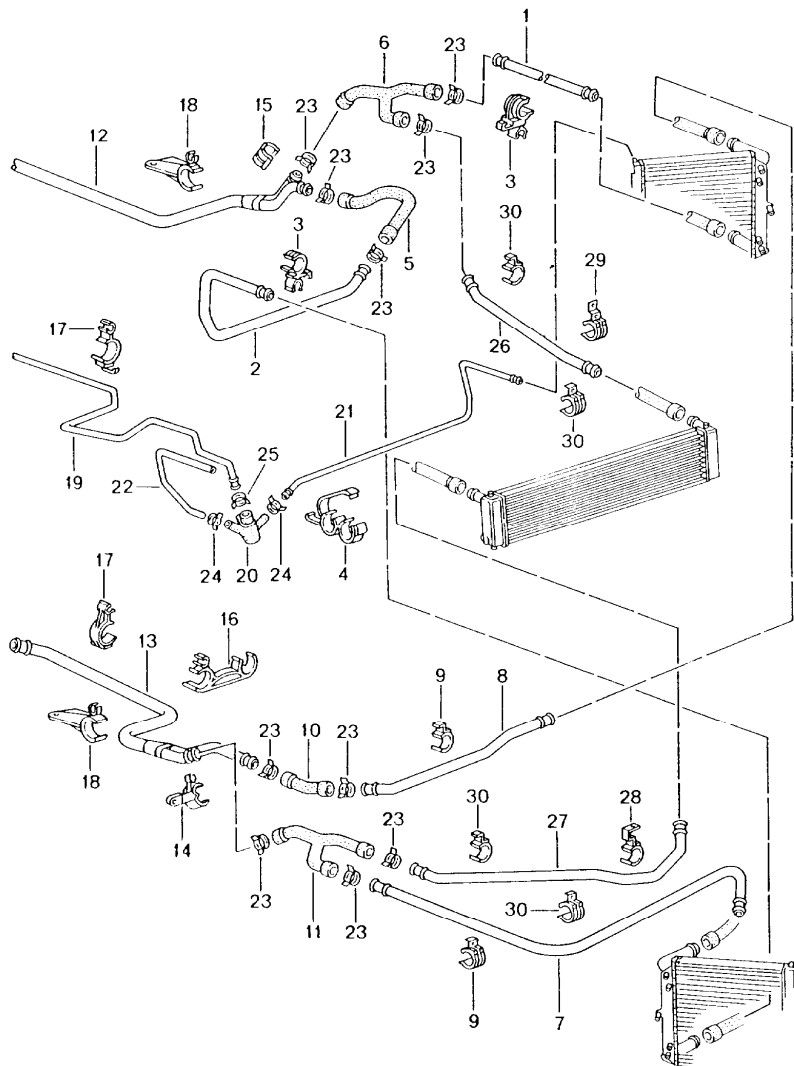


| Pos | Part Number | Description | Remark | Qty | Model |
|--------|----------------|---|--------|-----|-------|
| | | water cooling 1 | | | |
| 1 | 996 106 740 71 | hose use also: 996.106.610.74 | 01 | 1 | |
| (1) | 996 106 740 73 | hose | 02- | 1 | |
| (1) K | 996 106 740 91 | hose | 02 | 1 | GT2 |
| (1) | 996 106 740 93 | hose | 03- | 1 | GT2 |
| 2 | 999 512 348 02 | hose clamp 49 X 12 | | 3 | |
| 3 | 996 106 741 72 | hose | | 1 | M480 |
| (3) | 996 106 641 75 | hose | | 1 | GT2 |
| (3) | 996 106 742 72 | hose | | 1 | M249 |
| 4 | 996 106 610 73 | water tube use also: 996.106.740.73 | 01 | 1 | |
| (4) | 996 106 610 74 | water tube | 02- | 1 | |
| 5 | 996 106 069 70 | water tube | | 1 | |
| 6 | 996 106 427 70 | support | | 1 | |
| 7 | 900 378 123 09 | hexagon-head bolt M 6 X 12 | | 2 | |
| 8 | 996 106 417 51 | support | | 2 | |
| 9 | 900 377 010 09 | hexagon nut M 6 | | 2 | |
| 10 | 996 106 336 72 | breather hose | | 1 | |
| (10) K | 996 106 136 91 | breather hose | | 1 | GT2 |
| 11 | 996 106 681 74 | vent line | | 1 | |
| 12 | 999 512 554 00 | hose clamp 20 X 12 | | 3 | |
| 13 | 996 106 251 71 | breather hose | | 1 | |
| 14 | 999 512 657 09 | hose clamp 26 X 12 | | 2 | |
| 15 | 996 106 501 74 | hose | | 1 | |
| 16 | 996 106 502 74 | water hose | | 1 | |

| | | | | | | | | | | | |
|-------|------|----|----|--------------|--------------|-----|-------|------------|---------|-----|---------|
| Model | Year | MG | SG | Illustration | Restrictions | UPD | 14:45 | 24.01.2010 | PORSCHE | PET | PORSCHE |
| 996T | 2005 | 1 | 05 | 105-05 | | 248 | | | | | |

| Pos | Part Number | Description | Remark | Qty | Model | Pos | Part Number | Description | Remark | Qty | Model |
|-----|----------------|--------------------------|--------|-----|-------|-----|-------------|-------------|--------|-----|-------|
| 17 | 996 106 801 03 | o-ring | | 4 | | | | | | | |
| 18 | 996 106 802 11 | retainer spring | | 3 | | | | | | | |
| 19 | 996 106 417 73 | support | | 5 | | | | | | | |
| 20 | 999 511 237 40 | hose holder 10-52/-18 | | 2 | | | | | | | |
| 21 | 996 106 509 71 | support | | 1 | | | | | | | |
| 22 | 996 106 802 10 | retainer spring | | 1 | | | | | | | |
| 23 | 996 106 429 71 | support | | 2 | | | | | | | |
| 24 | 999 512 348 02 | hose clamp 53 X 12 | | 1 | | | | | | | |

| | | | | | | | | | | | |
|-------|------|----|----|--------------|--------------|-----|-------|------------|---------|-----|---------|
| Model | Year | MG | SG | Illustration | Restrictions | UPD | 14:45 | 24.01.2010 | PORSCHE | PET | PORSCHE |
| 996T | 2005 | 1 | 05 | 105-12 | | 248 | | | | | |

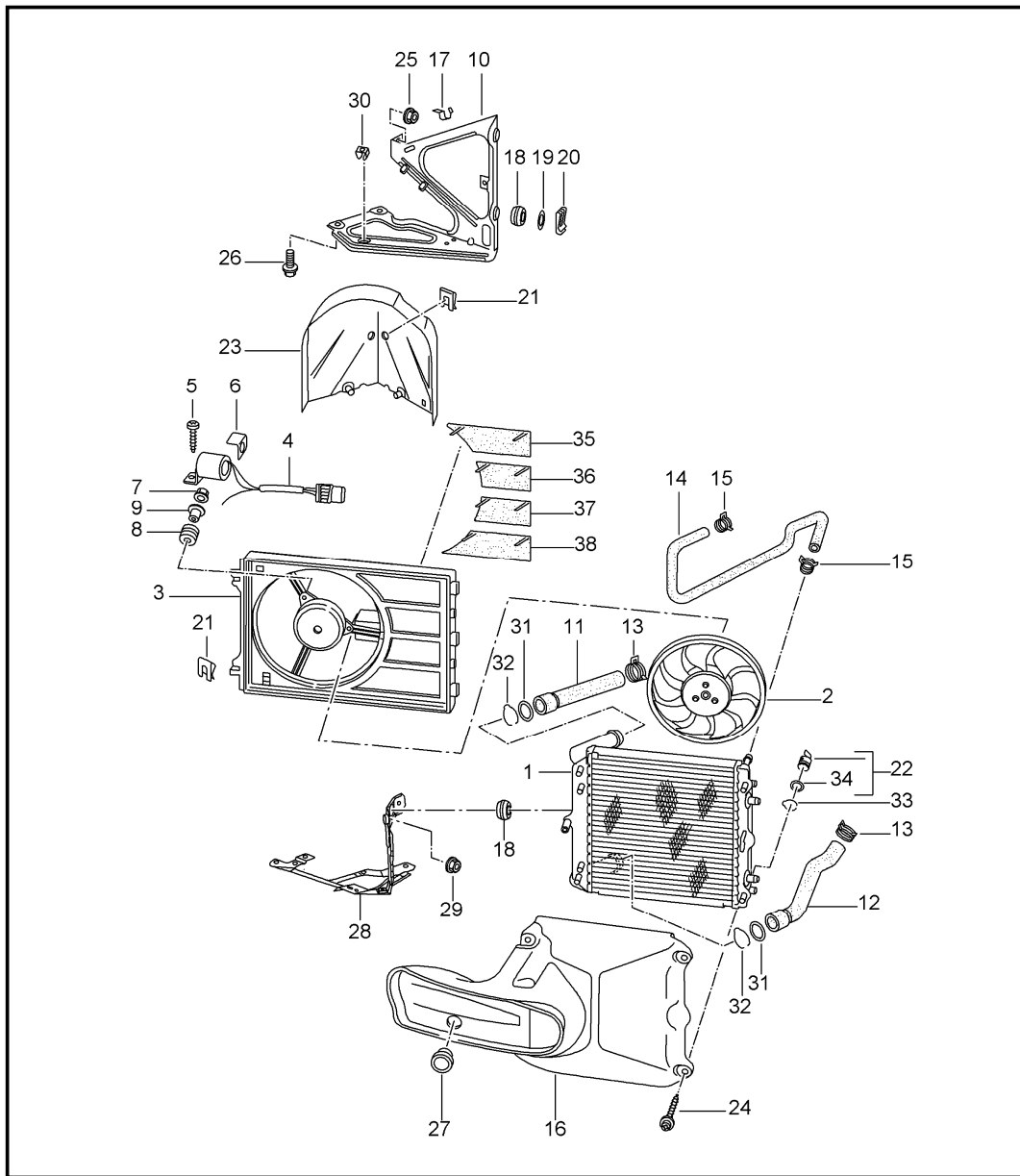


| Pos | Part Number | Description | Remark | Qty | Model |
|------|----------------|------------------------|--------|-----|-------|
| | | water cooling 2 | | | |
| 1 | 996 106 611 53 | water tube supply | /R | 00 | 1 |
| 2 | 996 106 711 03 | water tube supply | /L | | 1 |
| (2) | 996 106 615 54 | water tube | | | 1 GT2 |
| 3 | 996 106 414 55 | support | | | 4 |
| 4 | 996 106 525 04 | support | | | 2 |
| 5 | 996 106 723 02 | hose supply | /R | | 1 |
| (5) | 996 106 623 53 | water hose | | | 1 GT2 |
| 6 | 996 106 724 72 | hose supply | /R | | 1 |
| (6) | 996 106 627 52 | water hose | | | 1 GT2 |
| 7 | 996 106 715 01 | water tube return line | /L | | 1 |
| (7) | 996 106 611 53 | water tube | | | 1 GT2 |
| 8 | 996 106 720 71 | water tube return line | /R | | 1 |
| (8) | 996 106 615 54 | water tube | | | 1 GT2 |
| 9 | 996 106 419 52 | support | | | 3 |
| 10 | 996 106 727 03 | hose return line | /L | | 1 |
| (10) | 996 106 627 52 | water hose | | | 1 GT2 |
| 11 | 996 106 728 72 | hose return line | /L | | 1 |
| (11) | 996 106 624 53 | water hose | | | 1 GT2 |
| 12 | 996 106 752 03 | water tube supply | | 99- | 1 |
| (12) | 996 106 652 54 | distributing piece | | | 1 GT2 |
| 13 | 996 106 751 04 | water tube return line | | 99- | 1 |
| (13) | 996 106 651 54 | distributing piece | | | 1 GT2 |
| 14 | 996 106 513 01 | support | /L | | 1 |

| | | | | | | | | | | | |
|-------|------|----|----|--------------|--------------|-----|-------|------------|---------|-----|---------|
| Model | Year | MG | SG | Illustration | Restrictions | UPD | 14:45 | 24.01.2010 | PORSCHE | PET | PORSCHE |
| 996T | 2005 | 1 | 05 | 105-12 | | 248 | | | | | |

| Pos | Part Number | Description | Remark | Qty | Model | Pos | Part Number | Description | Remark | Qty | Model |
|------|----------------|-----------------------|--------|-----|-------|-----|-------------|-------------|--------|-----|-------|
| 15 | 996 106 514 00 | support | /R | 1 | | | | | | | |
| 16 | 996 106 540 00 | support | | 1 | | | | | | | |
| 17 | 996 106 515 01 | support | | 2 | | | | | | | |
| 18 | 996 106 520 01 | support | | 2 | | | | | | | |
| 19 | 996 106 227 72 | vent line | | 1 | | | | | | | |
| (19) | 996 106 127 53 | vent line | | 1 | GT2 | | | | | | |
| 20 | 996 106 647 04 | y-piece | | 1 | | | | | | | |
| 20 | 996 106 647 05 | y-piece | | 1 | | | | | | | |
| (20) | 996 106 546 54 | y-piece | | 1 | GT2 | | | | | | |
| (20) | 996 106 546 55 | y-piece | | 1 | GT2 | | | | | | |
| 21 | 996 106 766 71 | vent line | /R | 1 | | | | | | | |
| (21) | 996 106 126 54 | vent line | /R | 1 | GT2 | | | | | | |
| 22 | 996 106 765 71 | vent line | /L | 1 | | | | | | | |
| (22) | 996 106 225 54 | vent line | /L | 1 | GT2 | | | | | | |
| 23 | 999 512 499 00 | hose clamp 32 - 50 | | 8 | | | | | | | |
| 24 | 999 512 554 00 | hose clamp 12 - 22 | | 2 | | | | | | | |
| 25 | 999 512 554 00 | hose clamp 12 - 22 | | 1 | | | | | | | |
| 26 | 996 106 725 71 | water tube | /L | 1 | | | | | | | |
| 27 | 996 106 730 71 | water tube | /R | 1 | | | | | | | |
| 28 | 996 106 574 71 | support | /R | 1 | | | | | | | |
| 29 | 996 106 573 71 | support | /L | 1 | | | | | | | |
| 30 | 996 106 473 70 | support | | 4 | | | | | | | |

| | | | | | | | | | | | |
|-------|------|----|----|--------------|--------------|-----|-------|------------|---------|-----|---------|
| Model | Year | MG | SG | Illustration | Restrictions | UPD | 14:45 | 24.01.2010 | PORSCHE | PET | PORSCHE |
| 996T | 2005 | 1 | 05 | 105-15 | | 248 | | | | | |

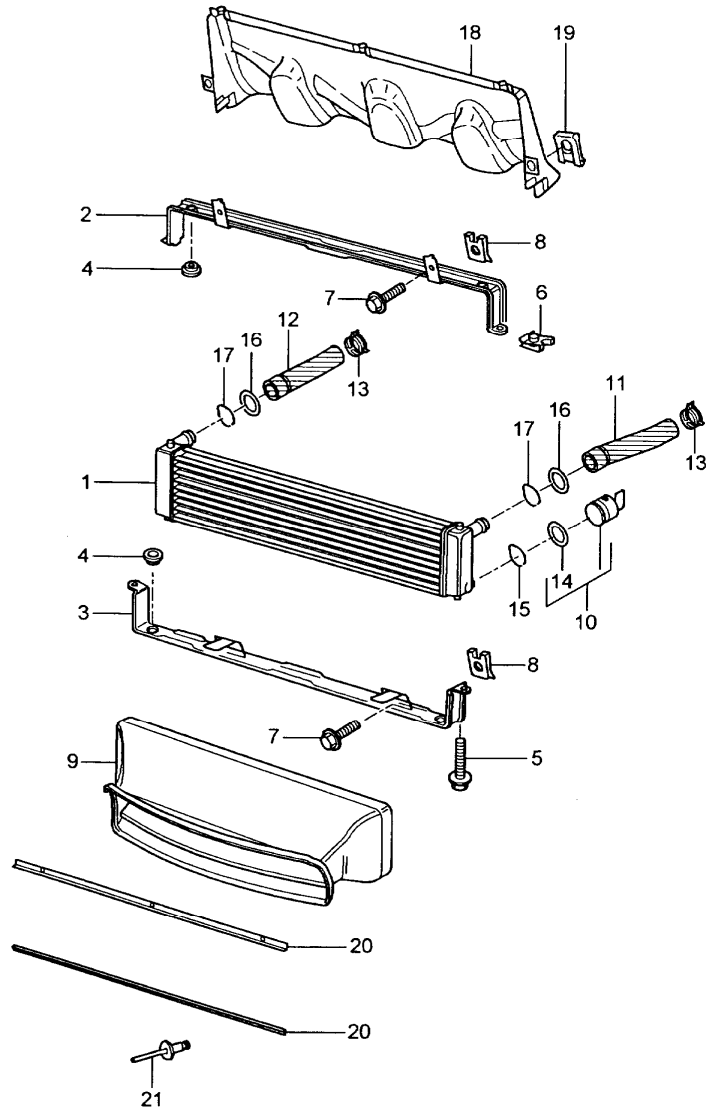


| Pos | Part Number | Description | Remark | Qty | Model |
|------|------------------|---|--------|-----|-------|
| | | water cooling 3 | | | |
| 1 | A 996 106 131 71 | radiator | | 2 | |
| 1 | A 996 106 131 72 | radiator | /L | 1 | |
| 1 | 996 106 131 74 | radiator | /L | 1 | |
| (1) | A 996 106 132 70 | radiator | /R | 1 | |
| (1) | 996 106 132 72 | radiator | /R | 1 | |
| 2 | 996 624 127 00 | fan | | 2 | |
| 3 | 996 624 137 00 | air box | | 2 | |
| 4 | 996 624 141 00 | series resistor | | 2 | |
| 5 | 996 624 145 00 | lens-head screw | | 2 | |
| 6 | 996 624 143 00 | support | | 2 | |
| 7 | 900 377 010 09 | hexagon nut | | 6 | |
| 8 | 996 624 173 00 | rubber mounting | | 6 | |
| 9 | 999 209 049 02 | spacer sleeve | | 6 | |
| 10 | 996 504 155 00 | bracket | /L | 1 | |
| (10) | 996 504 156 00 | bracket | /R | 1 | |
| 11 | 996 106 621 74 | water hose | | 2 | |
| (11) | 996 106 621 75 | water hose with one conection radiator centre | /R | 1 | GT2 |
| 12 | A 996 106 625 74 | hose | /L | 1 | |
| 12 | 996 106 625 78 | hose | /L | 1 | |
| (12) | 996 106 625 75 | hose with one conection radiator centre | /L | 1 | GT2 |
| (12) | 996 106 626 74 | water hose | /R | 1 | |
| 13 | 999 512 552 00 | hose clamp 20 - 32 X 9 | | 4 | |
| 14 | 996 106 137 75 | breather hose | /L | 1 | |
| (14) | 996 106 138 78 | breather hose | /R | 1 | |

| | | | | | | | | | | | |
|-------|------|----|----|--------------|--------------|-----|-------|------------|---------|-----|---------|
| Model | Year | MG | SG | Illustration | Restrictions | UPD | 14:45 | 24.01.2010 | PORSCHE | PET | PORSCHE |
| 996T | 2005 | 1 | 05 | 105-15 | | 248 | | | | | |

| Pos | Part Number | Description | Remark | Qty | Model | Pos | Part Number | Description | Remark | Qty | Model |
|------|----------------|---|--------|-----|-------|------|----------------|--------------------|--------|-----|-------|
| (14) | 996 106 138 75 | breather hose with one conection radiator centre | /R | 1 | GT2 | 29 | 900 377 003 02 | hexagon nut M 8 | | 4 | |
| 15 | 996 106 802 15 | retainer spring | | 4 | | 30 | 999 507 590 02 | captive nut | | 1 | |
| 16 | 996 575 321 02 | air duct | /L | 1 | | 31 | 996 106 801 02 | o-ring | | 4 | |
| 16 | 996 575 321 30 | cooling air duct | /L | 1 | GT2 | 32 | 996 106 802 16 | retainer spring | | 4 | |
| (16) | 996 575 322 02 | air duct | /R | 1 | | 33 | 996 106 802 15 | retainer spring | | 2 | |
| (16) | 996 575 322 30 | cooling air duct | /R | 1 | GT2 | 34 | 996 106 801 00 | o-ring | | 2 | |
| 17 | 999 651 305 02 | cable holder | | 2 | | 35 | 996 624 157 00 | air flap | /L | 1 | |
| 18 | 999 702 214 40 | grommet 14 X 20,5 X 7,5 | | 6 | | (35) | 996 624 158 00 | air flap | /R | 1 | |
| 19 | 999 025 255 02 | washer | | 4 | | 36 | 996 624 159 00 | air flap | /L | 1 | |
| 20 | 999 166 083 09 | tab washer B 25 | | 4 | | (36) | 996 624 160 00 | air flap | /R | 1 | |
| 21 | 999 166 077 02 | safety clip B 22 | | 6 | | 37 | 996 624 161 00 | air flap | /L | 1 | |
| 22 | 996 106 545 71 | stopper | | 4 | | (37) | 996 624 162 00 | air flap | /R | 1 | |
| 23 | 996 575 351 00 | air duct | /L | 1 | | 38 | 996 624 163 00 | air flap | /L | 1 | |
| (23) | 996 575 352 00 | air duct | /R | 1 | | (38) | 996 624 164 00 | air flap | /R | 1 | |
| 24 | 999 919 134 09 | oval-head screw 6,0 X 16 | | 4 | | -- | 996 575 352 30 | air duct | | 1 | GT2 |
| 25 | 999 084 630 09 | hexagon nut M 8 | | 2 | | -- | 996 575 351 30 | air duct | | 1 | |
| 26 | 900 378 074 09 | hexagon-head bolt M 8 X 16 | | 4 | | | | | | | |
| 27 | 999 702 214 40 | grommet 14 X 20,5 X 7,5 | | 2 | | | | | | | |
| (27) | 803 803 583 | rubber sleeve 30,0 X 40,0 | /R | 1 | | | | | | | |
| 28 | 996 504 523 01 | support | /L | 1 | | | | | | | |
| 28 | 996 504 523 30 | support | /L | 1 | GT2 | | | | | | |
| (28) | 996 504 524 01 | support | /R | 1 | | | | | | | |
| (28) | 996 504 524 30 | support | /R | 1 | GT2 | | | | | | |

| | | | | | | | | | | | |
|-------|------|----|----|--------------|--------------|-----|-------|------------|---------|-----|---------|
| Model | Year | MG | SG | Illustration | Restrictions | UPD | 14:46 | 24.01.2010 | PORSCHE | PET | PORSCHE |
| 996T | 2005 | 1 | 05 | 105-17 | | 248 | | | | | |

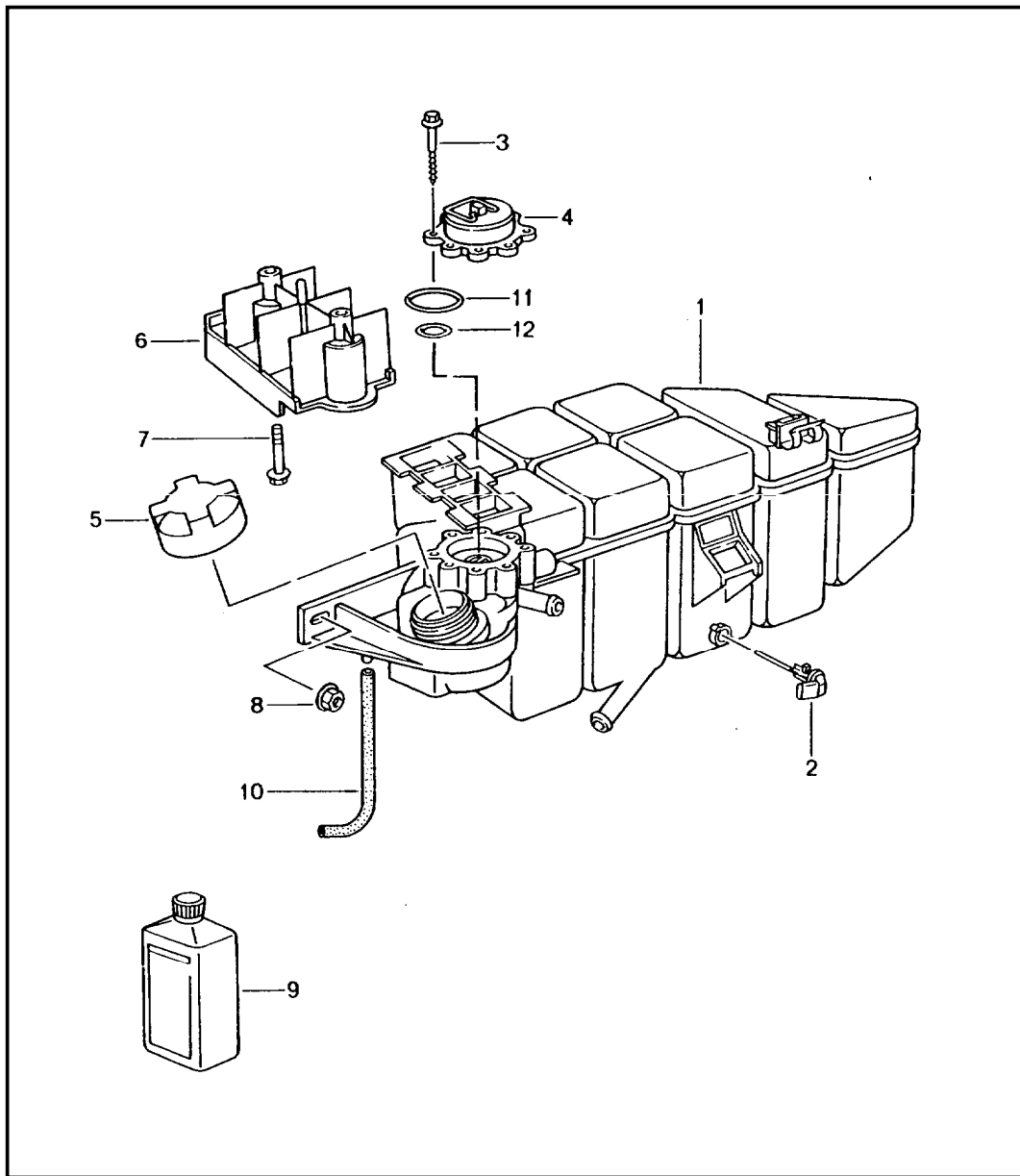


| Pos | Part Number | Description | Remark | Qty | Model |
|-----|------------------|----------------------------|--------|-----|-------|
| 1 | A 996 106 037 73 | radiator centre | | 1 | |
| 1 | 996 106 037 75 | radiator | | 1 | |
| 2 | 996 504 495 00 | retaining frame | | 1 | |
| (2) | 996 504 195 30 | bracket upper | | 1 | GT2 |
| - | 996 504 679 31 | spacer sleeve | | 2 | GT2 |
| 3 | 996 504 493 00 | retaining frame | | 1 | |
| (3) | 996 504 413 30 | bracket lower | | 1 | GT2 |
| 4 | 930 113 430 00 | rubber mounting | | 4 | |
| 5 | 900 378 036 09 | hexagon-head bolt M 6 X 12 | | 2 | |
| 6 | 999 507 550 02 | speed nut M 6 | | 2 | |
| 7 | 900 378 074 09 | hexagon-head bolt M 8 X 16 | | 4 | |
| 8 | 999 591 869 02 | speed nut M 8 | | 4 | |
| 9 | 996 575 141 03 | air duct | | 1 | |
| 9 | 996 575 141 30 | cooling air duct | | 1 | GT2 |
| 10 | 996 106 545 71 | stopper | | 1 | |
| 11 | 996 106 639 73 | water hose | | 1 | |
| 11 | 996 106 639 75 | water hose | | 1 | |
| 12 | 996 106 638 73 | water hose | | 1 | |
| 13 | 999 512 551 00 | hose clamp 32 X 12 | | 2 | |
| 14 | 996 106 801 00 | o-ring | | 1 | |
| 15 | 996 106 802 15 | retainer spring | | 1 | |
| 16 | 996 106 801 05 | o-ring | | 2 | |
| 17 | 996 106 802 17 | retainer spring | | 2 | |
| 18 | 996 575 151 01 | air duct | | 1 | TURBO |

| | | | | | | | | | | | |
|-------|------|----|----|--------------|--------------|-----|-------|------------|---------|-----|---------|
| Model | Year | MG | SG | Illustration | Restrictions | UPD | 14:46 | 24.01.2010 | PORSCHE | PET | PORSCHE |
| 996T | 2005 | 1 | 05 | 105-17 | | 248 | | | | | |

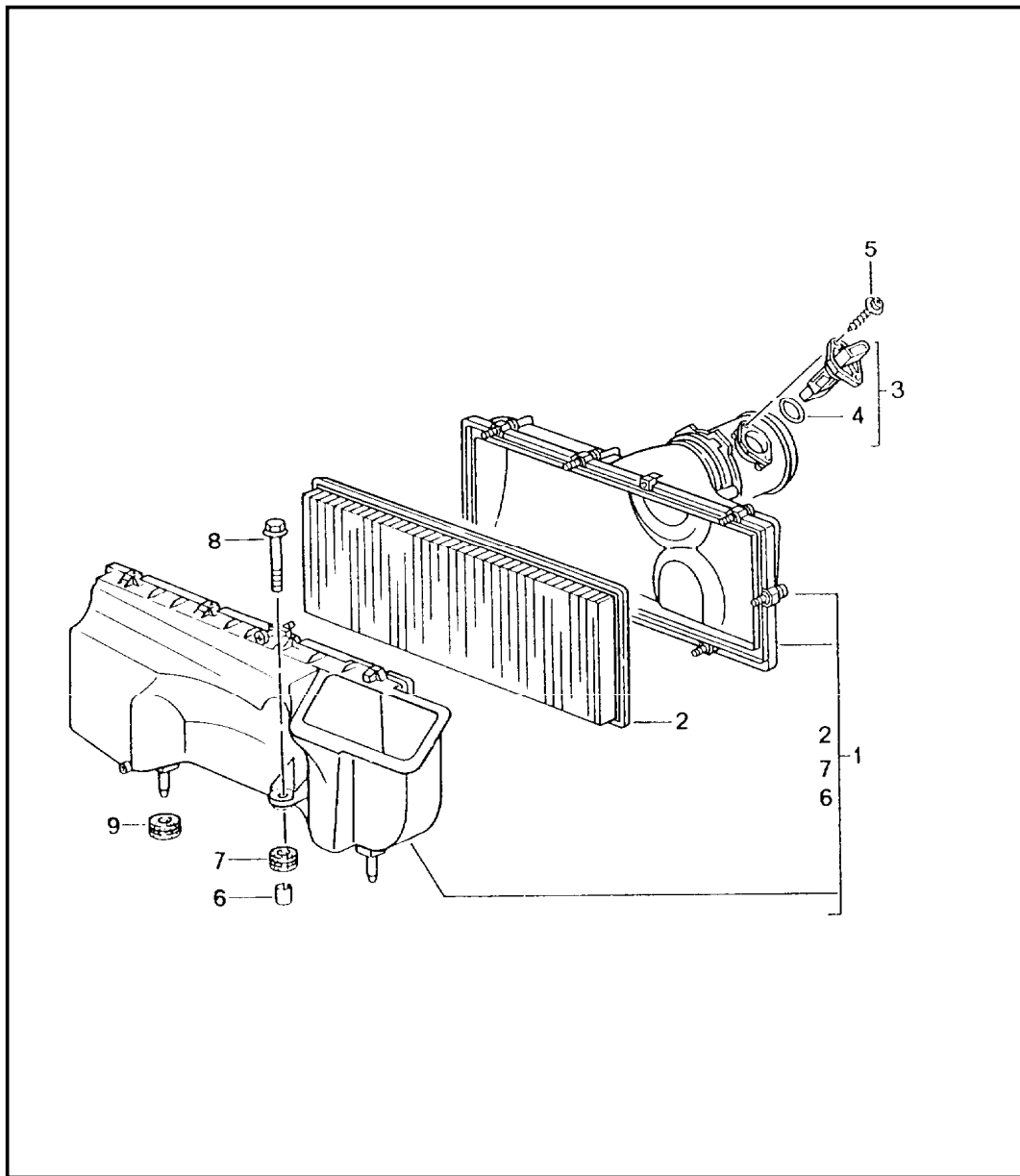
| Pos | Part Number | Description | Remark | Qty | Model | Pos | Part Number | Description | Remark | Qty | Model |
|-----|----------------|------------------|--------|-----|-------|-----|-------------|-------------|--------|-----|-------|
| 19 | 999 166 076 02 | safety clip | | 2 | | | | | | | |
| 20 | 996 575 761 00 | attachment strip | | 2 | | | | | | | |
| 21 | 999 190 419 30 | blind rivet | | 6 | | | | | | | |

| | | | | | | | | | | | |
|-------|------|----|----|--------------|--------------|-----|-------|------------|---------|-----|---------|
| Model | Year | MG | SG | Illustration | Restrictions | UPD | 14:46 | 24.01.2010 | PORSCHE | PET | PORSCHE |
| 996T | 2005 | 1 | 05 | 105-20 | | 248 | | | | | |



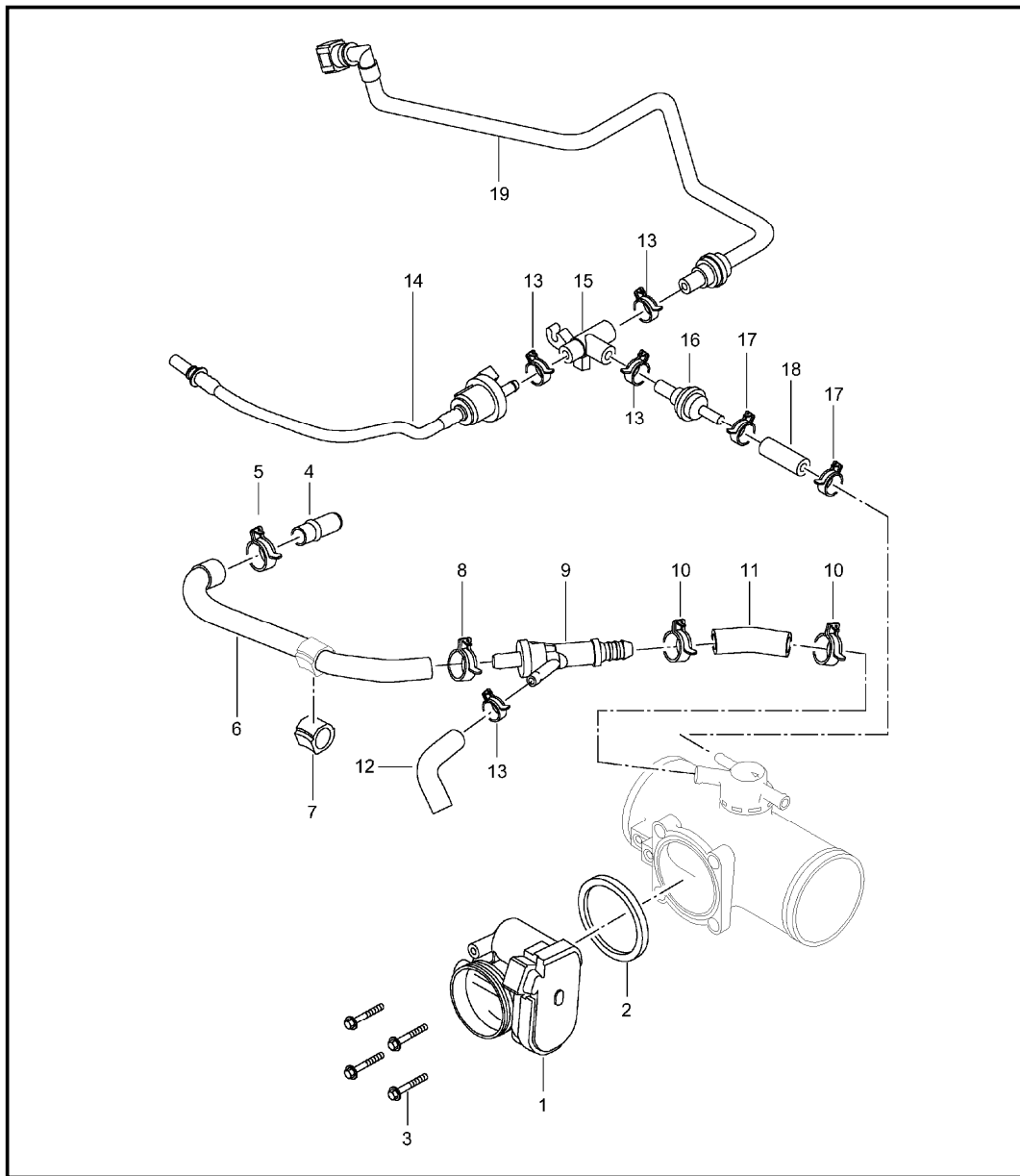
| Pos | Part Number | Description | Remark | Qty | Model |
|-------|----------------|---|--------|-----|-------|
| | | water cooling 4 | | | |
| 1 | 996 106 157 03 | water reservoir | | 1 | |
| 2 | 996 641 503 00 | switch | | 1 | |
| 3 | 999 919 058 02 | hexagon-head bolt 5,0 X 40 | | 8 | |
| 4 | 996 106 347 01 | bleeder valve | | 1 | |
| 5 | 996 106 447 01 | lid see technical manual group 1 Nr.190101 | | 1 | |
| 6 | 996 106 405 71 | support | | 1 | |
| 7 | 900 378 168 09 | hexagon-head bolt M 6 X 30 | | 2 | |
| 8 | 999 084 629 09 | hexagon nut M 6 | | 1 | |
| 9 | 000 043 203 78 | antifreeze 1 LTR. container | | X | |
| (9) A | 000 043 203 79 | antifreeze 25 LTR. container | | X | |
| (9) | 000 043 300 31 | antifreeze 20 LTR. container | | X | |
| 10 | 996 106 297 00 | overflow hose | | 1 | |
| 11 | 999 707 370 40 | o-ring 47 X 4 | | 1 | |
| 12 | 999 707 371 40 | o-ring 17 X 4 | | 1 | |

| | | | | | | | | | | | |
|-------|------|----|----|--------------|--------------|-----|-------|------------|---------|-----|---------|
| Model | Year | MG | SG | Illustration | Restrictions | UPD | 14:46 | 24.01.2010 | PORSCHE | PET | PORSCHE |
| 996T | 2005 | 1 | 06 | 106-00 | | 248 | | | | | |



| Pos | Part Number | Description | Remark | Qty | Model |
|-----|----------------|-------------------------------|--------|-----|-------|
| | | air cleaner | | | |
| 1 | 996 110 021 70 | air cleaner | | 1 | |
| 2 | 996 110 131 71 | air cleaner cartridge | | 1 | |
| 3 | 996 606 124 00 | mass air flow meter | | 1 | |
| 4 | 986 606 925 00 | o-ring | | 1 | |
| 5 | 999 919 160 07 | oval-head screw | | 2 | |
| 6 | 900 095 099 02 | sleeve 12,0 X 14 | | 1 | |
| 7 | 999 702 246 40 | grommet 12,0 X 17,0 X 3 | | 1 | |
| 8 | 999 075 063 02 | hexagon-head bolt M 6 X 34 | | 1 | |
| 9 | 999 702 221 40 | grommet 11,8 X 18,0 X 18 | | 2 | |

| | | | | | | | | | | | |
|-------|------|----|----|--------------|--------------|-----|-------|------------|---------|-----|---------|
| Model | Year | MG | SG | Illustration | Restrictions | UPD | 14:46 | 24.01.2010 | PORSCHE | PET | PORSCHE |
| 996T | 2005 | 1 | 07 | 107-00 | | 248 | | | | | |

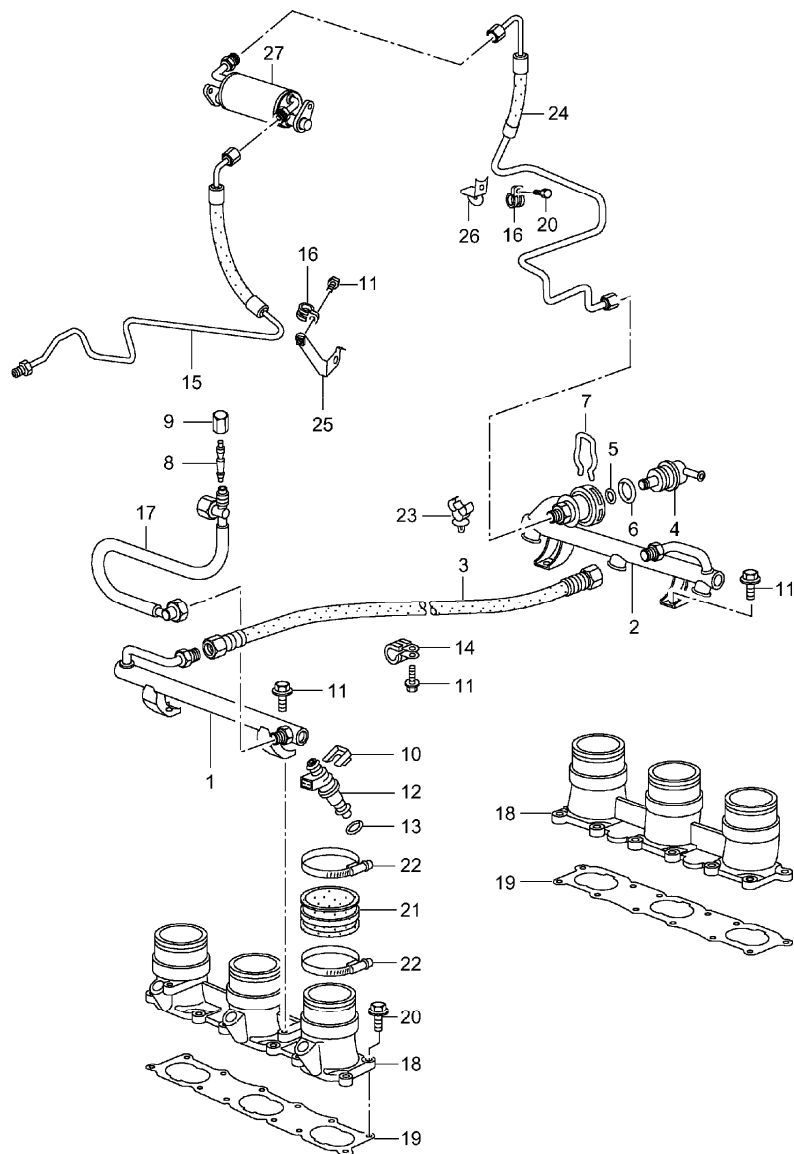


| Pos | Part Number | Description | Remark | Qty | Model |
|-----|------------------|--------------------------------------|--------|-----|-------|
| | | throttle body | | | |
| 1 | 986 605 115 01 | throttle body | | 1 | |
| 2 | A 996 110 318 01 | gasket | | 1 | |
| 2 | 996 110 318 02 | gasket | | 1 | |
| 3 | 900 378 032 09 | hexagon-head bolt | | 4 | |
| 4 | 996 110 657 70 | joining socket | | 1 | |
| 5 | 999 512 602 09 | hose clamp 24 X 12 | | 1 | |
| 6 | A 996 110 654 72 | hose | | 1 | |
| 6 | 996 110 654 73 | hose | | 1 | |
| 7 | 996 110 659 70 | spacer | | 1 | |
| 8 | 999 512 554 00 | hose clamp 20 X 12 | | 1 | |
| 9 | 996 110 652 70 | venturi tube | | 1 | |
| 10 | 999 512 655 09 | hose clamp 22 X 12 | | 2 | |
| 11 | 996 110 651 71 | hose | | 1 | |
| 12 | 996 110 653 71 | hose | | 1 | |
| 13 | 999 512 599 09 | hose clamp 18 X 12 | | 3 | |
| 14 | 996 110 129 72 | vent line | | 1 | |
| 15 | 996 110 147 71 | t-piece | | 1 | |
| 16 | 996 110 135 70 | check valve | | 1 | |
| 17 | 999 512 585 09 | hose clamp 15 X 12 | | 2 | |
| 18 | A 996 110 127 71 | vent line | | 1 | |
| 18 | 996 110 127 72 | vent line | | 1 | |
| 19 | 996 110 145 71 | vent line | | 1 | |
| -- | 996 606 113 00 | temperature sensor | -02 | 1 | |
| -- | 996 606 013 00 | support for temperature sensor | | 1 | |

| | | | | | | | | | | | |
|-------|------|----|----|--------------|--------------|-----|-------|------------|---------|-----|---------|
| Model | Year | MG | SG | Illustration | Restrictions | UPD | 14:46 | 24.01.2010 | PORSCHE | PET | PORSCHE |
| 996T | 2005 | 1 | 07 | 107-00 | | 248 | | | | | |

| Pos | Part Number | Description | Remark | Qty | Model | Pos | Part Number | Description | Remark | Qty | Model |
|-----|----------------|-------------------------------|--------|-----|-------|-----|-------------|-------------|--------|-----|-------|
| -- | 900 378 074 09 | hexagon-head bolt m 8 x 16 | | 1 | | | | | | | |

| | | | | | | | | | | | |
|-------|------|----|----|--------------|--------------|-----|-------|------------|---------|-----|---------|
| Model | Year | MG | SG | Illustration | Restrictions | UPD | 14:46 | 24.01.2010 | PORSCHE | PET | PORSCHE |
| 996T | 2005 | 1 | 07 | 107-05 | | 248 | | | | | |

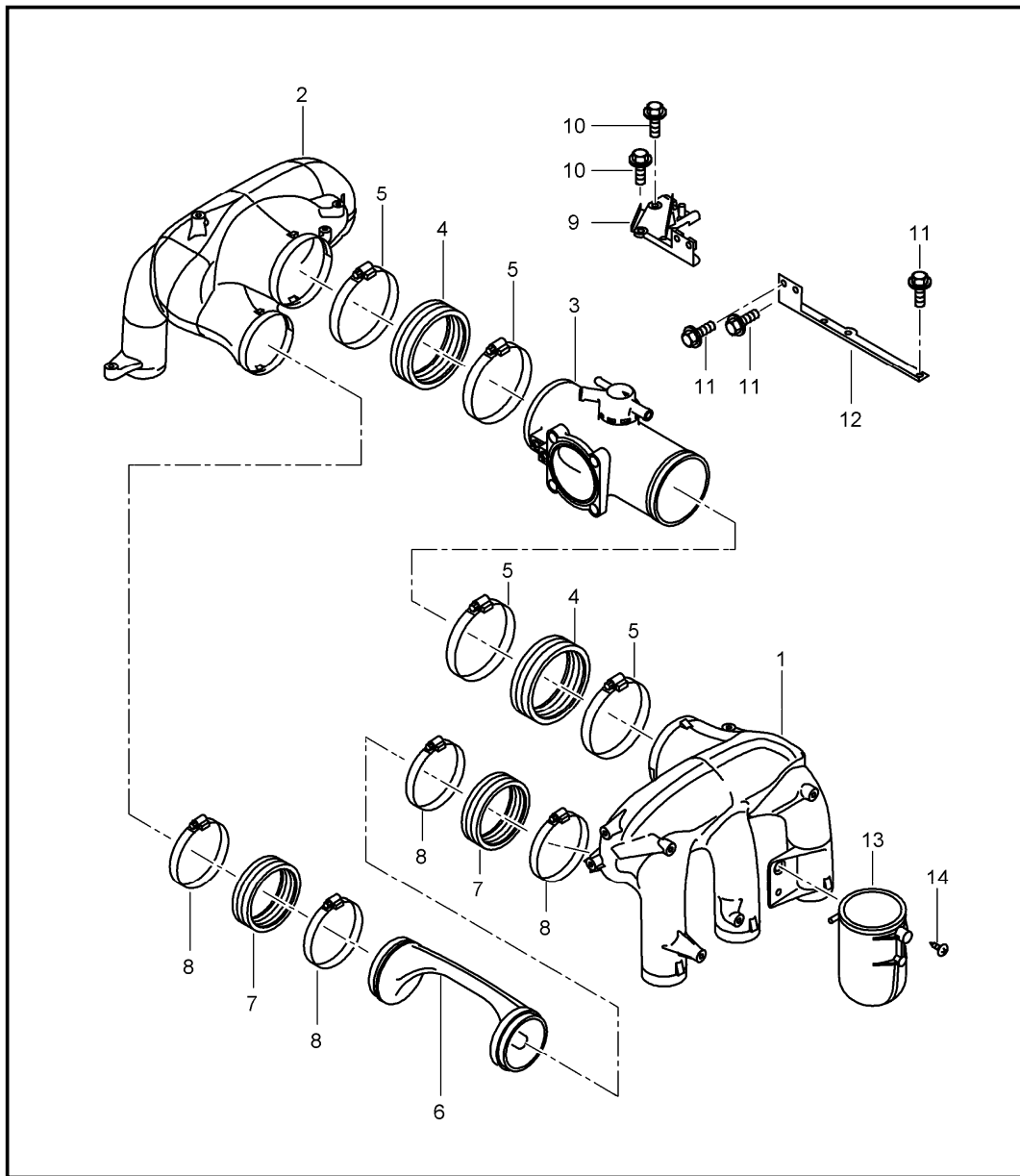


| Pos | Part Number | Description | Remark | Qty | Model |
|------|----------------|---|--------|-----|-------|
| | | fuel collection pipe | | | |
| 1 | 996 110 307 71 | fuel collection pipe | | 1 | |
| 2 | 996 110 308 71 | fuel collection pipe | | 1 | |
| 3 | 996 110 309 71 | fuel hose | | 1 | |
| 4 | 993 110 199 00 | pressure regulator | | 1 | |
| 5 | 999 707 276 40 | o-ring 5 X 2,5 | | 1 | |
| 6 | 999 707 277 40 | o-ring 20 X 2,5 | | 1 | |
| 7 | 993 110 196 00 | retaining clip | | 1 | |
| 8 | 993 110 217 00 | valve | | 1 | |
| 9 | 993 110 218 01 | cap | | 1 | |
| 10 | 996 110 113 52 | retaining clip | | 6 | |
| 11 | 900 378 036 09 | hexagon-head bolt M 6 X 12 | | 6 | |
| 12 | 996 606 132 00 | injector valve | | 6 | |
| 13 | 944 110 901 01 | o-ring 7,52 X 3,53 | | 12 | |
| 14 | 999 511 234 02 | clamp 16 X 15 | | 1 | |
| 15 | 996 110 324 72 | return line F >>991S6 82326 see technical information group 1 NR.3/01 | | 1 | |
| (15) | 996 110 324 74 | return line F 991S6 82327>> see technical information group 1 NR.3/01 | | 1 | |
| (15) | 996 110 324 74 | return line | 02- | 1 | M152 |
| 16 | 999 511 153 02 | clamp 8 X 15 | | 2 | |
| 17 | 996 110 315 73 | feed line | | 1 | |
| -- | 999 181 423 40 | protective tube 15 X 410 | | * | |

| | | | | | | | | | | | |
|-------|------|----|----|--------------|--------------|-----|-------|------------|---------|-----|---------|
| Model | Year | MG | SG | Illustration | Restrictions | UPD | 14:46 | 24.01.2010 | PORSCHE | PET | PORSCHE |
| 996T | 2005 | 1 | 07 | 107-05 | | 248 | | | | | |

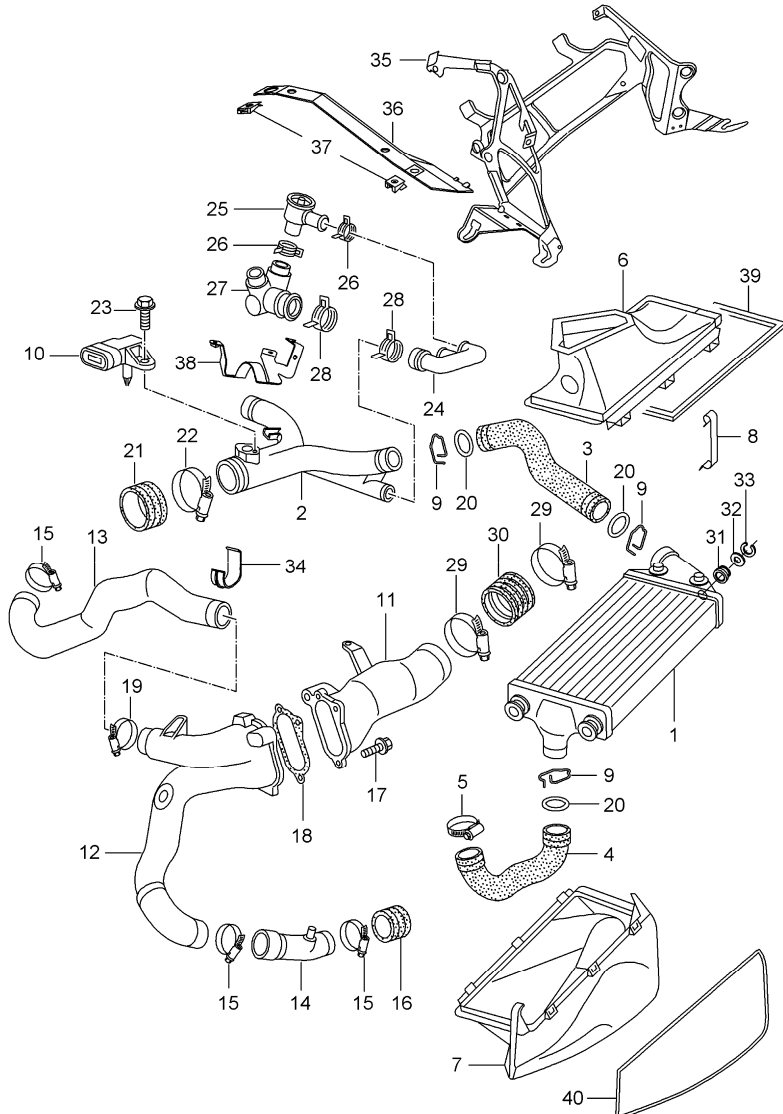
| Pos | Part Number | Description | Remark | Qty | Model | Pos | Part Number | Description | Remark | Qty | Model |
|------|----------------|---|--------|-----|-------|-----|-------------|-------------|--------|-----|-------|
| 18 | 996 110 101 73 | intake manifold | /L | 1 | | | | | | | |
| (18) | 996 110 102 73 | intake manifold | /R | 1 | | | | | | | |
| 19 | 996 110 103 71 | gasket | | 2 | | | | | | | |
| 20 | 900 378 030 09 | hexagon-head bolt M 6 X 20 | | 24 | | | | | | | |
| 21 | 993 110 687 51 | rubber sleeve | | 6 | | | | | | | |
| 22 | 999 512 348 02 | hose clamp 40 - 60/9 | | 12 | | | | | | | |
| 23 | 999 511 240 40 | cable holder 11,0 - 18,0 | | 1 | | | | | | | |
| 24 | 996 110 314 72 | return line | | 1 | | | | | | | |
| 24 | 996 110 314 72 | return line | 02- | 1 | M152 | | | | | | |
| 25 | 996 110 334 71 | support | | 1 | | | | | | | |
| 26 | 996 110 344 70 | support | | 1 | | | | | | | |
| 27 | --- --- --- -- | fuel cooler see illustrations 8/13/26 | | 1 | | | | | | | |
| -- | 996 110 634 72 | support for vent line | | 1 | | | | | | | |

| | | | | | | | | | | | |
|-------|------|----|----|--------------|--------------|-----|-------|------------|---------|-----|---------|
| Model | Year | MG | SG | Illustration | Restrictions | UPD | 14:47 | 24.01.2010 | PORSCHE | PET | PORSCHE |
| 996T | 2005 | 1 | 07 | 107-10 | | 248 | | | | | |



| Pos | Part Number | Description | Remark | Qty | Model |
|-----|----------------|-------------------------------|--------|-----|-------|
| 1 | 996 110 627 70 | intake distributor | /L | 1 | |
| 2 | 996 110 618 70 | intake distributor | /R | 1 | |
| 3 | 996 110 215 71 | intermediate piece | | 1 | |
| 4 | 996 110 685 71 | rubber sleeve | | 2 | |
| 5 | 999 512 350 02 | hose clamp 80 - 100/9 | | 4 | |
| 6 | 996 110 217 74 | lid | | 1 | |
| 7 | 996 110 686 70 | rubber sleeve | | 2 | |
| 8 | 999 512 351 02 | hose clamp 70 - 90/9 | | 4 | |
| 9 | 996 110 675 73 | support | | 1 | |
| 10 | 999 919 130 09 | hexagon-head bolt M 6 X 18 | | 2 | |
| 11 | 900 378 036 09 | hexagon-head bolt M 6 X 12 | | 3 | |
| 12 | 996 110 673 71 | support | | 1 | |
| 13 | 993 110 140 03 | vacuum reservoir | | 1 | |
| 14 | 999 919 115 02 | oval-head screw 5 X 12 | | 1 | |

| | | | | | | | | | | | |
|-------|------|----|----|--------------|--------------|-----|-------|------------|---------|-----|---------|
| Model | Year | MG | SG | Illustration | Restrictions | UPD | 14:47 | 24.01.2010 | PORSCHE | PET | PORSCHE |
| 996T | 2005 | 1 | 07 | 107-20 | | 248 | | | | | |

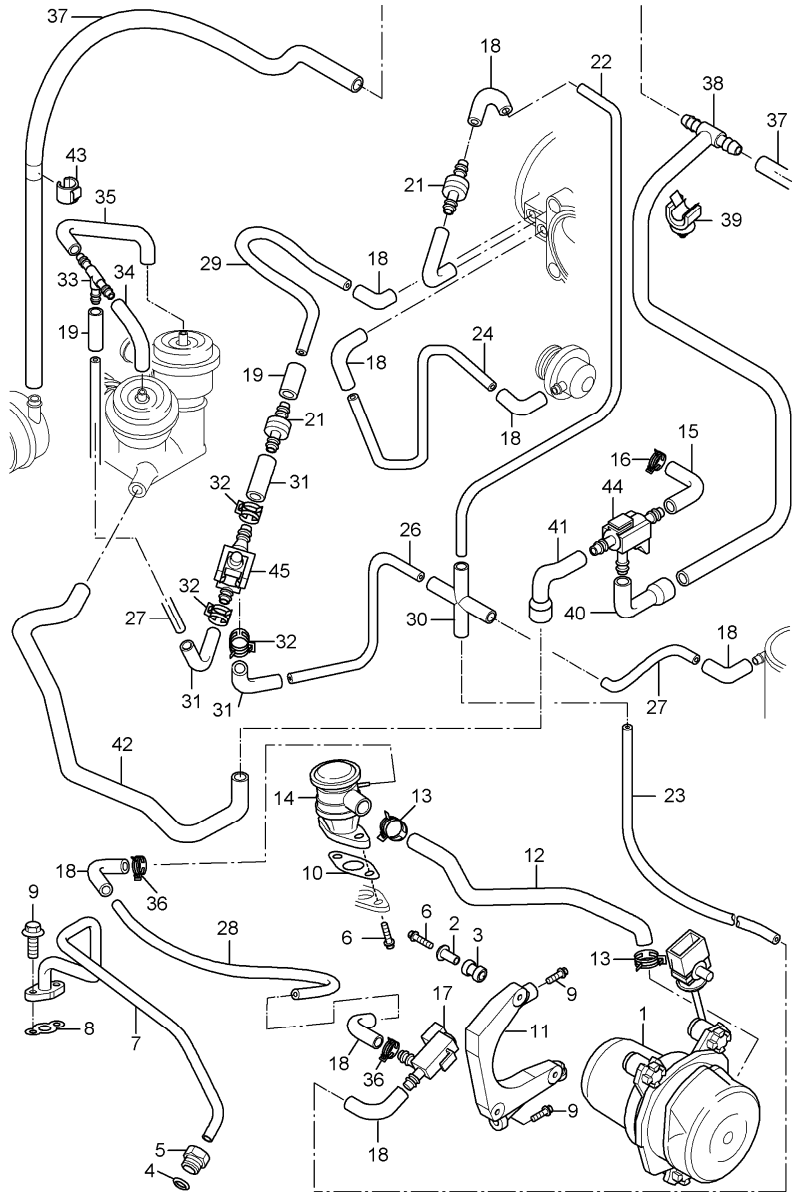


| Pos | Part Number | Description | Remark | Qty | Model |
|-----|----------------|--|--------|-----|-----------|
| | | turbocharging | | | TURBO/GT2 |
| 1 | 996 110 989 71 | charge air cooler | /L | 1 | GT2 |
| 1 | 996 110 989 71 | charge air cooler | /L | 1 | IX50 |
| 1 | 996 110 639 71 | charge air cooler | /L | 1 | |
| | | use also: F >>991S6 81568 996.504.253.02 | | 1 | |
| (1) | 996 110 990 71 | charge air cooler | /R | 1 | GT2 |
| (1) | 996 110 990 71 | charge air cooler | /R | 1 | IX50 |
| (1) | 996 110 640 71 | charge air cooler | /R | 1 | |
| | | use also: F >>991S6 81568 996.504.254.02 | | 1 | |
| 2 | 996 110 046 73 | pressure pipe | | 1 | |
| 3 | 996 110 645 73 | pressure hose | /L | 1 | |
| (3) | 996 110 644 75 | pressure hose | /R | 1 | |
| 4 | 996 110 631 74 | pressure hose | /L | 1 | |
| (4) | 996 110 630 75 | pressure hose | /R | 1 | |
| 5 | 999 512 349 02 | hose clamp 50 - 70 | | 2 | |
| 6 | 996 575 657 00 | air duct | /L | 1 | |
| (6) | 996 575 658 00 | air duct | /R | 1 | |
| 7 | 996 575 571 00 | air duct | /L | 1 | |
| | | 01C satin black | | | |
| (7) | 996 575 572 00 | air duct | /R | 1 | |
| | | 01C satin black | | | |
| 8 | 996 504 847 00 | clamp | | 12 | |
| 9 | 996 106 802 12 | retainer spring | | 6 | |
| 10 | 996 606 180 00 | sensor | | 1 | |
| 11 | 996 110 622 72 | intake manifold | | 1 | |
| 12 | 996 110 623 71 | intake manifold distributor | | 1 | |

| | | | | | | | | | | | |
|-------|------|----|----|--------------|--------------|-----|-------|------------|---------|-----|---------|
| Model | Year | MG | SG | Illustration | Restrictions | UPD | 14:47 | 24.01.2010 | PORSCHE | PET | PORSCHE |
| 996T | 2005 | 1 | 07 | 107-20 | | 248 | | | | | |

| Pos | Part Number | Description | Remark | Qty | Model | Pos | Part Number | Description | Remark | Qty | Model |
|------|----------------|--|----------|-----|-------|------|----------------|---|--------|-----|-------|
| 13 | 996 110 626 71 | intake manifold | | 1 | | 36 | 996 504 353 00 | bracket | /L | 1 | |
| 14 | 996 110 625 70 | intake manifold | /L | 1 | | (36) | 996 504 353 91 | bracket | /L | 1 | GT2 |
| (14) | 996 110 624 70 | intake manifold | | 1 | | (36) | 996 504 354 00 | bracket | /R | 1 | |
| 15 | 999 512 349 02 | hose clamp 50 - 70/9 | | 4 | | (36) | 996 504 354 91 | bracket | /R | 1 | GT2 |
| 16 | 993 110 397 50 | rubber sleeve | /R | 2 | | 37 | 999 507 668 02 | speed nut ST 4,8 | | X | |
| 17 | 900 378 013 09 | hexagon-head bolt M 6 X 25 | | 3 | | 38 | 996 110 671 70 | support for pressure pipe | | 1 | |
| 18 | 996 110 613 71 | gasket | | 1 | | 39 | 996 575 759 01 | gasket | /L | 1 | |
| 19 | 999 512 317 00 | clip | | 1 | | (39) | 996 575 760 01 | gasket air duct upper part/lower part | /R | 1 | |
| 20 | 996 106 801 06 | sealing ring | | 6 | | 40 | 999 911 674 00 | tread gasket lateral | | 1 | |
| 21 | 996 110 647 71 | rubber sleeve | | 1 | | | | | | | |
| 22 | 999 512 351 02 | hose clamp | | 2 | | | | | | | |
| 23 | 900 378 163 09 | hexagon-head bolt M 6 X 16 | | 1 | | | | | | | |
| 24 | 996 110 681 73 | distributor recirculating air valve | | 1 | | | | | | | |
| 25 | 993 110 337 50 | shut-off valve | | 2 | | | | | | | |
| 26 | 999 512 630 00 | hose clamp 32 X 12 | | 4 | | | | | | | |
| 27 | 996 110 683 73 | y-piece | | 1 | | | | | | | |
| 28 | 999 512 613 09 | hose clamp 46 X 12 | /L /R | 2 | | | | | | | |
| 29 | 999 512 542 00 | hose clamp 80 - 100 / 9 | | 2 | | | | | | | |
| 30 | 996 110 621 70 | air box | | 1 | | | | | | | |
| 31 | 996 110 638 70 | rubber mounting | | 8 | | | | | | | |
| 32 | 999 025 255 02 | washer | | 8 | | | | | | | |
| 33 | 900 116 015 09 | lock washer | | 8 | | | | | | | |
| 34 | 996 110 636 70 | support | | 1 | | | | | | | |
| 35 | 996 504 253 02 | bracket | /L | 1 | | | | | | | |
| (35) | 996 504 254 02 | bracket | /R | 1 | | | | | | | |

| | | | | | | | | | | | |
|-------|------|----|----|--------------|--------------|-----|-------|------------|---------|-----|---------|
| Model | Year | MG | SG | Illustration | Restrictions | UPD | 14:47 | 24.01.2010 | PORSCHE | PET | PORSCHE |
| 996T | 2005 | 1 | 08 | 108-05 | | 248 | | | | | |

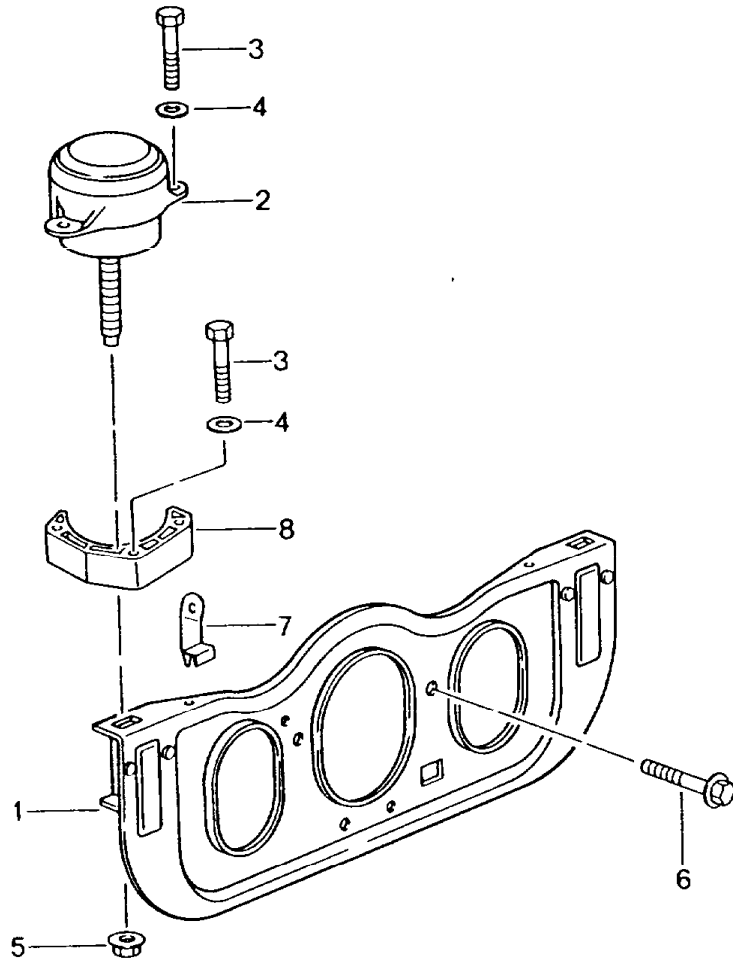


| Pos | Part Number | Description | Remark | Qty | Model |
|-----|----------------|---------------------------------|--------|-----|-------|
| | | air injection | | | |
| 1 | 996 605 104 00 | air pump | | 1 | |
| 2 | 999 209 054 02 | spacer sleeve 6,9 X 1,0 X 22 | | 3 | |
| 3 | 999 703 481 40 | rubber mounting 10 X 13,2 | | 3 | |
| 4 | 900 102 011 02 | cutting ring | | 1 | |
| 5 | 999 261 079 02 | cap screw | | 1 | |
| 6 | 900 378 177 09 | hexagon-head bolt M 6 X 30 | | 5 | |
| 7 | 996 113 275 72 | air tube | | 1 | |
| 8 | 996 113 213 71 | gasket | | 1 | |
| 9 | 900 378 030 09 | hexagon-head bolt M 6 X 20 | | 4 | |
| 10 | 993 113 258 51 | gasket | | 1 | |
| 11 | 996 113 240 74 | support | | 1 | |
| 12 | 996 113 255 72 | hose | | 1 | |
| 13 | 999 512 552 00 | hose clamp 20 - 32/9 | | 2 | |
| 14 | 996 113 257 70 | valve | | 1 | |
| 15 | 996 110 649 71 | moulded hose | | 1 | |
| 16 | 999 512 522 02 | clamp 9.5 - 11.5 | | 1 | |
| 17 | 996 605 123 01 | change-over valve | | 1 | |
| - | 999 652 838 40 | plug socket | | 1 | |
| - | 999 652 771 12 | connector | | 2 | |
| - | 999 704 161 40 | gasket | | 2 | |
| 18 | 928 574 717 03 | moulded hose | | 9 | |
| 19 | 999 239 040 40 | connecting piece | | 2 | |
| 20 | 928 573 727 03 | y-piece | | 1 | M249 |
| 21 | 964 110 950 01 | check valve | | 2 | |

| | | | | | | | | | | | |
|-------|------|----|----|--------------|--------------|-----|-------|------------|---------|-----|---------|
| Model | Year | MG | SG | Illustration | Restrictions | UPD | 14:47 | 24.01.2010 | PORSCHE | PET | PORSCHE |
| 996T | 2005 | 1 | 08 | 108-05 | | 248 | | | | | |

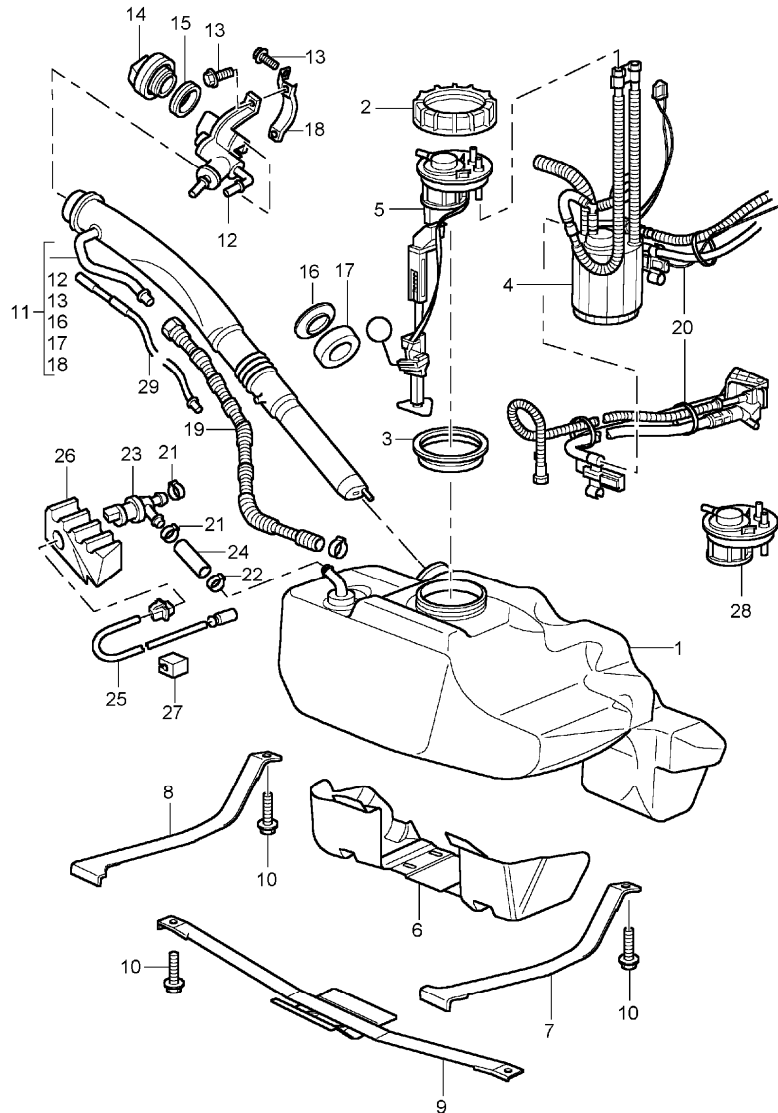
| Pos | Part Number | Description | Remark | Qty | Model | Pos | Part Number | Description | Remark | Qty | Model |
|-----|------------------|----------------------|--------|-----|-------|-----|----------------|-------------------|--------|-----|-------|
| - | 000 043 205 01 | pipe 4 X 1,0 | | * | | 45 | 996 605 165 00 | change-over valve | | 1 | |
| 22 | - | 230 MM | | 1 | | 46 | 999 230 499 40 | connecting piece | | 1 | |
| 23 | - | 140 MM | | 1 | | | | | | | |
| 24 | - | 460 MM | | 1 | | | | | | | |
| 25 | - | 1100 MM | | 1 | M249 | | | | | | |
| - | 900 918 005 40 | pipe 5 X 1,0 | | * | | | | | | | |
| 26 | - | 245 MM | | 1 | | | | | | | |
| 27 | - | 140 MM | | 2 | | | | | | | |
| 28 | - | 300 MM | | 1 | | | | | | | |
| 29 | - | 190 MM | | 1 | | | | | | | |
| 30 | 928 573 729 03 | distributing piece | | 1 | | | | | | | |
| 31 | A 996 110 695 70 | moulded hose | | 3 | | | | | | | |
| 31 | 996 110 695 71 | moulded hose | | 3 | | | | | | | |
| 32 | 999 512 622 02 | clamp 11.8 - 13.8 | | 3 | | | | | | | |
| 33 | 999 137 005 40 | t-piece | | 1 | | | | | | | |
| 34 | 996 110 697 71 | moulded hose | | 1 | | | | | | | |
| 35 | 996 110 697 72 | moulded hose | | 1 | | | | | | | |
| 36 | 999 512 527 00 | clamp 8.5 - 10.0 | | 2 | | | | | | | |
| - | 900 926 019 40 | hose | | * | | | | | | | |
| 37 | - | 780 MM | | 2 | | | | | | | |
| 38 | 996 110 656 70 | control line | | 1 | | | | | | | |
| 39 | 999 507 544 40 | cable holder | | 1 | | | | | | | |
| 40 | 996 110 666 70 | moulded hose | | 1 | | | | | | | |
| 41 | 996 110 658 70 | moulded hose | | 1 | | | | | | | |
| 42 | 996 110 650 71 | vent line | | 1 | | | | | | | |
| 43 | 999 507 658 09 | cable holder | | 2 | | | | | | | |
| 44 | 996 605 155 00 | cycle valve | | 1 | | | | | | | |

| | | | | | | | | | | | |
|-------|------|----|----|--------------|--------------|-----|-------|------------|---------|-----|---------|
| Model | Year | MG | SG | Illustration | Restrictions | UPD | 14:47 | 24.01.2010 | PORSCHE | PET | PORSCHE |
| 996T | 2005 | 1 | 09 | 109-00 | | 248 | | | | | |



| Pos | Part Number | Description | Remark | Qty | Model |
|-----|------------------|--------------------------------|--------|-----|-------|
| | | engine suspension | | | |
| 1 | 996 375 013 00 | engine carrier | | 1 | |
| 2 | 993 375 049 07 | engine mounting | | 2 | |
| 3 | 900 378 056 02 | hexagon-head bolt AM 8 X 60 | | 6 | |
| 4 | 999 025 134 02 | washer 8,4 X 21 3,0 | | 4 | |
| 5 | 999 084 215 09 | hexagon nut V M 12 X 1,5 | | 2 | |
| 6 | A 900 378 065 09 | hexagon-head bolt M 10 X 70 | | 4 | |
| (7) | 996 106 293 91 | support | | 2 | |
| 8 | 996 375 221 01 | adapter | | 2 | |

| | | | | | | | | | | | |
|-------|------|----|----|--------------|--------------|-----|-------|------------|---------|-----|---------|
| Model | Year | MG | SG | Illustration | Restrictions | UPD | 14:47 | 24.01.2010 | PORSCHE | PET | PORSCHE |
| 996T | 2005 | 2 | 01 | 201-00 | | 248 | | | | | |

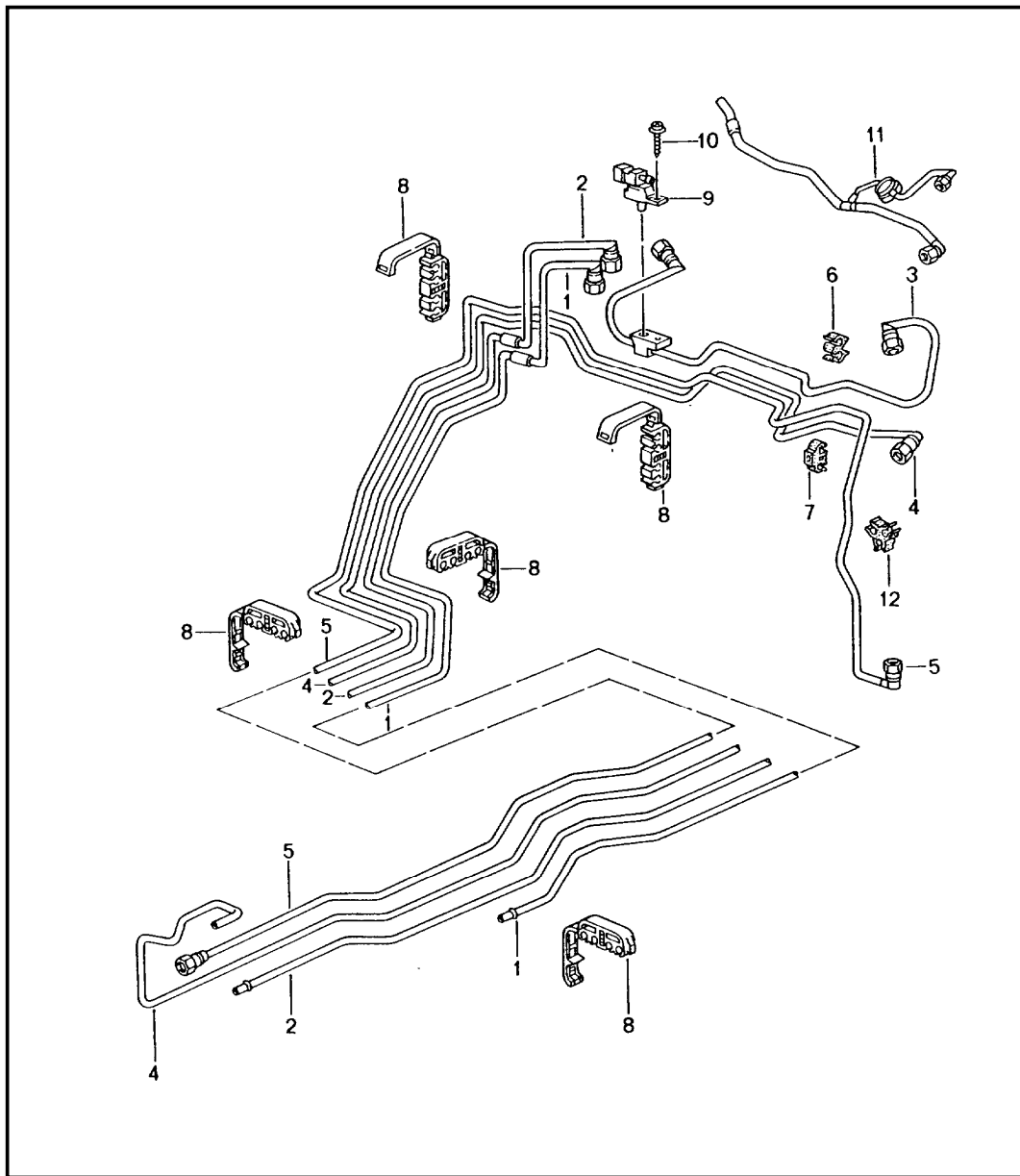


| Pos | Part Number | Description | Remark | Qty | Model |
|-----|------------------|-------------------|--------|-----|-------|
| 1 | 996 201 021 01 | fuel tank | /LL | 1 | |
| (1) | 996 201 021 90 | fuel tank | /LL | 1 | GT2 |
| (1) | 996 201 022 01 | fuel tank | /RL | 1 | |
| (1) | 996 201 022 90 | fuel tank | /RL | 1 | GT2 |
| 2 | 996 201 623 00 | union nut | | 1 | |
| 3 | 321 919 133 | gasket | | 1 | |
| 4 | A 996 620 107 00 | fuel pump | /LL | 1 | |
| (4) | U 996 620 107 01 | fuel pump | /LL | 1 | |
| (4) | 996 620 107 02 | fuel pump | /LL | 1 | |
| (4) | A 996 620 108 00 | fuel pump | /RL | 1 | |
| (4) | U 996 620 108 01 | fuel pump | /RL | 1 | |
| (4) | 996 620 108 02 | fuel pump | /RL | 1 | |
| (4) | A 996 620 057 90 | fuel pump | | 1 | GT2 |
| (4) | U 996 620 057 91 | fuel pump | | 1 | GT2 |
| (4) | 996 620 057 92 | fuel pump | | 1 | GT2 |
| 5 | 996 620 827 02 | tank gauge | /LL | 1 | |
| (5) | 996 641 801 90 | tank gauge | /LL | 1 | GT2 |
| (5) | 996 620 832 02 | tank gauge | /RL | 1 | GT2 |
| (5) | 996 620 828 02 | tank gauge | /RL | 1 | |
| 6 | 996 201 331 01 | protective plate | /LL | 1 | |
| (6) | 996 201 331 00 | protective plate | /LL | 1 | GT2 |
| (6) | 996 201 331 02 | protective plate | /RL | 1 | GT2 |
| (6) | 996 201 331 03 | protective plate | /RL | 1 | |
| 7 | 996 201 105 03 | restraining strap | | 1 | |
| (7) | 996 201 105 02 | restraining strap | | 1 | GT2 |
| 8 | 996 201 106 03 | restraining strap | | 1 | |
| (8) | 996 201 106 02 | restraining strap | | 1 | GT2 |
| 9 | 996 201 107 01 | restraining strap | /LL | 1 | |

| | | | | | | | | | | | |
|-------|------|----|----|--------------|--------------|-----|-------|------------|---------|-----|---------|
| Model | Year | MG | SG | Illustration | Restrictions | UPD | 14:47 | 24.01.2010 | PORSCHE | PET | PORSCHE |
| 996T | 2005 | 2 | 01 | 201-00 | | 248 | | | | | |

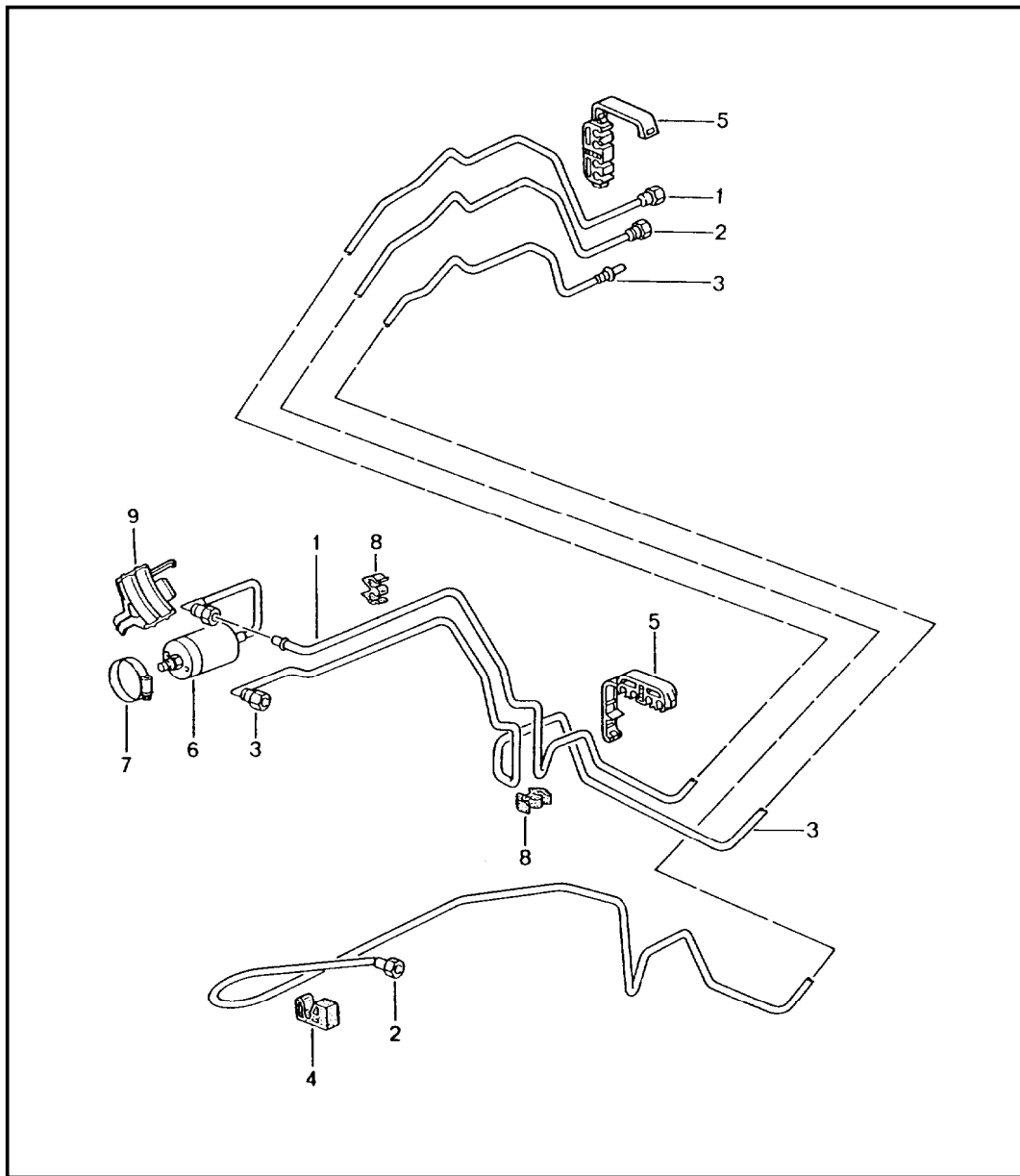
| Pos | Part Number | Description | Remark | Qty | Model | Pos | Part Number | Description | Remark | Qty | Model |
|------|----------------|-------------------------------------|--------|-----|-------|-----|-------------|-------------|--------|-----|-------|
| (9) | 996 201 107 90 | restraining strap | /LL | 1 | GT2 | | | | | | |
| (9) | 996 201 108 00 | restraining strap | /RL | 1 | GT2 | | | | | | |
| 10 | 900 075 479 09 | combination screw M 8 X 40 | | 4 | | | | | | | |
| 11 | 996 201 043 03 | filler neck | | 1 | | | | | | | |
| 11 | 996 201 043 04 | filler neck | (J) | 1 | M150 | | | | | | |
| 11 | 996 201 043 09 | filler neck | /RL | 1 | GT2 | | | | | | |
| 12 | 996 201 143 01 | bleeder valve | | 1 | | | | | | | |
| 13 | 900 378 036 09 | hexagon-head bolt M 6 X 12 | | 3 | | | | | | | |
| 14 | 996 201 241 03 | fuel tank cap with clip | | 1 | | | | | | | |
| -- | 999 507 499 40 | expansion rivet | | 1 | | | | | | | |
| 15 | 191 201 557 | gasket | | 1 | | | | | | | |
| 16 | 996 201 755 00 | support washer | | 1 | | | | | | | |
| 17 | 996 201 753 00 | gasket | | 1 | | | | | | | |
| 18 | 996 201 751 00 | support | | 1 | | | | | | | |
| 19 | 996 201 613 00 | vent line | | 1 | | | | | | | |
| 20 | 996 620 113 00 | venturi tube | | 1 | | | | | | | |
| (20) | 996 620 113 80 | venturi tube | | 1 | GT2 | | | | | | |
| 28 | 996 620 841 90 | display specimen tank gauge | | 1 | GT2 | | | | | | |
| 30 | 000 043 206 89 | Additive fuel 100 ml Beh,lter | CHINA | 1 | | | | | | | |

| | | | | | | | | | | | |
|-------|------|----|----|--------------|--------------|-----|-------|------------|---------|-----|---------|
| Model | Year | MG | SG | Illustration | Restrictions | UPD | 14:47 | 24.01.2010 | PORSCHE | PET | PORSCHE |
| 996T | 2005 | 2 | 01 | 201-05 | | 248 | | | | | |



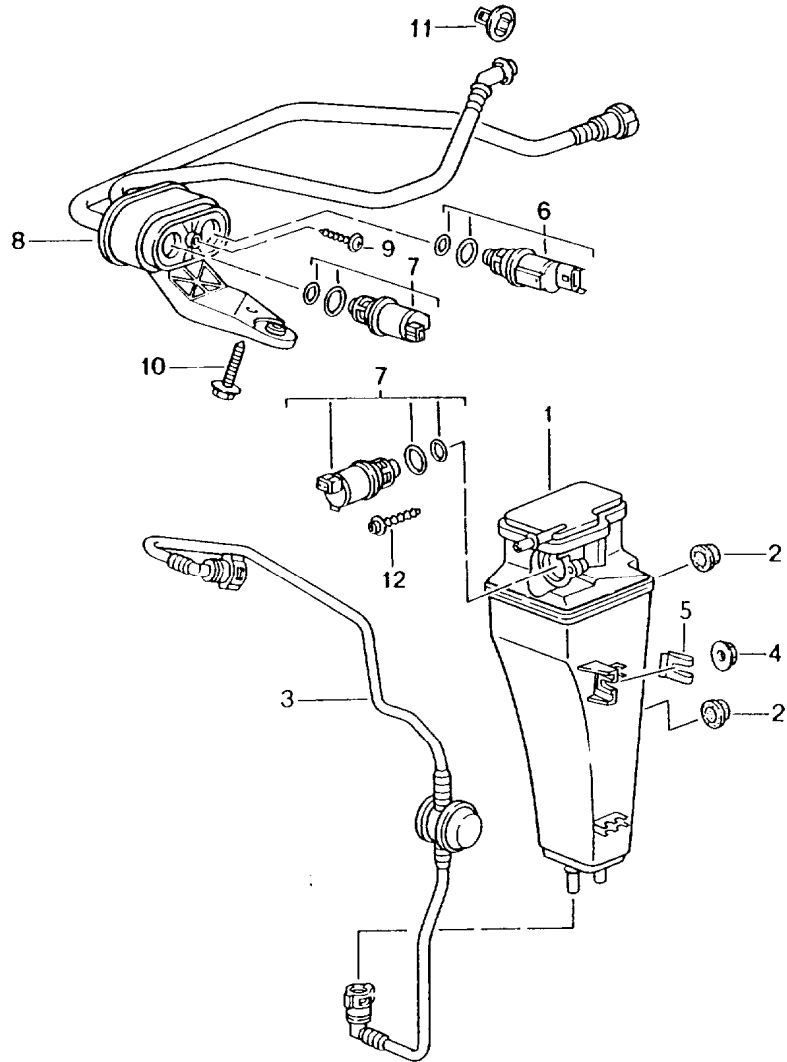
| Pos | Part Number | Description | Remark | Qty | Model |
|-----|----------------|-----------------------------|--------|-----|-------|
| | | fuel system front | | | |
| 1 | 996 201 261 01 | pressure line | | 1 | |
| 2 | 996 201 271 01 | return line | | 1 | |
| 3 | 996 201 251 02 | vent line | | 1 | |
| 4 | 996 201 361 02 | air tube | | 1 | |
| 5 | 996 201 351 00 | air tube | | 1 | |
| 6 | 999 507 488 40 | cable holder | | 5 | |
| 7 | 999 507 487 40 | cable holder | | 1 | |
| 8 | 999 507 554 40 | cable holder | | 8 | |
| 9 | 996 606 205 00 | sensor | | 1 | M660 |
| 10 | 999 919 042 02 | oval-head screw 5,0 X 12 | | 1 | M660 |

| | | | | | | | | | | | |
|-------|------|----|----|--------------|--------------|-----|-------|------------|---------|-----|---------|
| Model | Year | MG | SG | Illustration | Restrictions | UPD | 14:48 | 24.01.2010 | PORSCHE | PET | PORSCHE |
| 996T | 2005 | 2 | 01 | 201-10 | | 248 | | | | | |



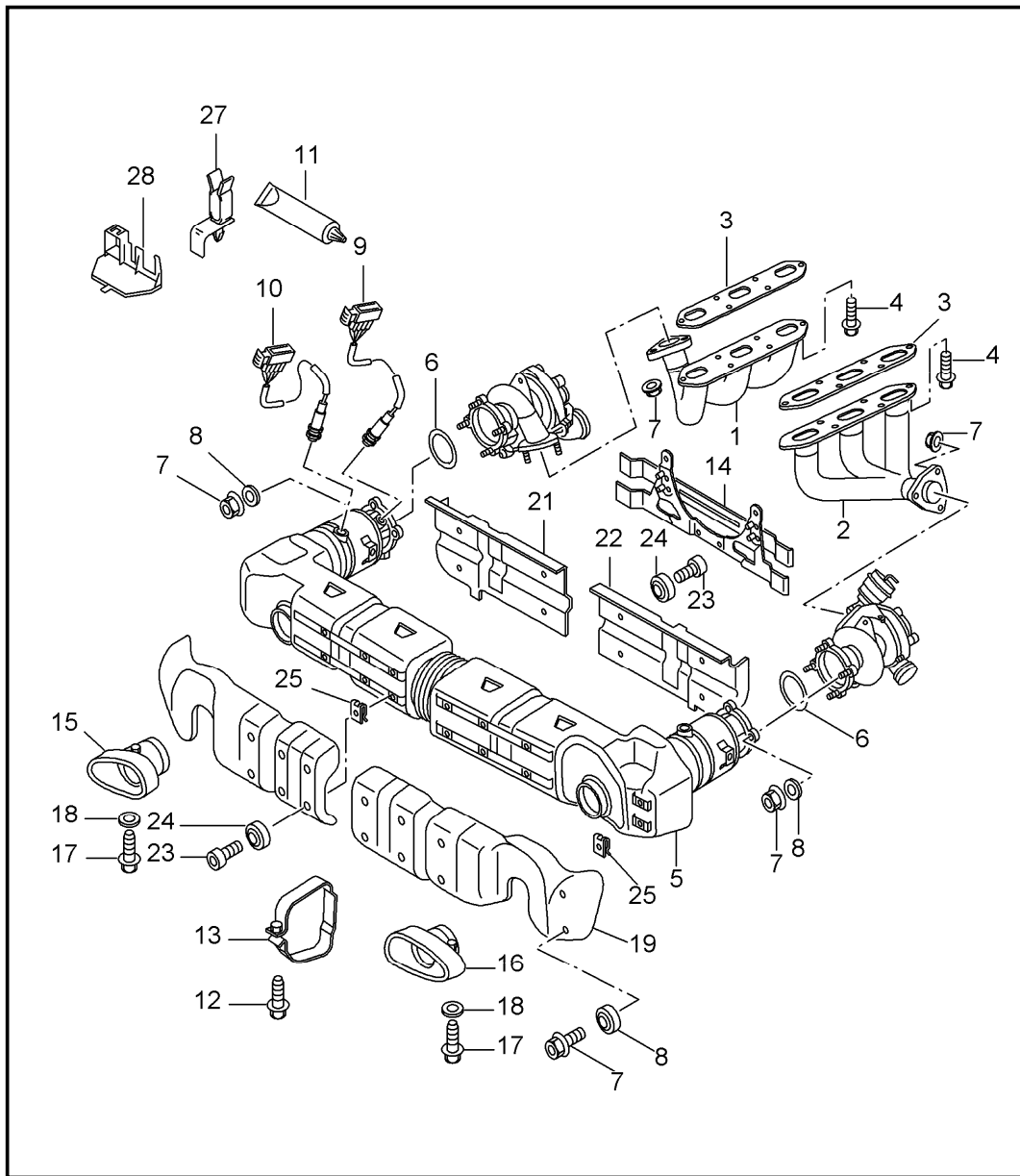
| Pos | Part Number | Description | Remark | Qty | Model |
|-----|----------------|---|--------|-----|-------|
| 1 | 996 201 265 02 | fuel system rear pressure line | | 1 | |
| 2 | 996 201 275 01 | return line F >>991S6 82326 see technical information group 2 NR.3/01 | | 1 | |
| (2) | 996 201 275 03 | return line F 991S6 82327>> see technical information group 2 NR.3/01 | | 1 | |
| - | 999 707 505 40 | o-ring black | | 1 | |
| - | 999 707 506 40 | o-ring beige | | 1 | |
| 3 | 996 201 355 01 | air tube | | 1 | |
| 4 | 999 591 922 40 | cable holder | | 2 | |
| 5 | 999 507 521 40 | cable holder | | 2 | |
| 6 | 996 110 253 52 | fuel filter | | 1 | |
| 7 | 999 512 390 00 | hose clamp 60 - 80/13 | | 1 | |
| 8 | 999 507 488 40 | cable holder | | 3 | |
| 9 | 996 110 257 03 | support | | 1 | |

| | | | | | | | | | | | |
|-------|------|----|----|--------------|--------------|-----|-------|------------|---------|-----|---------|
| Model | Year | MG | SG | Illustration | Restrictions | UPD | 14:48 | 24.01.2010 | PORSCHE | PET | PORSCHE |
| 996T | 2005 | 2 | 01 | 201-20 | | 248 | | | | | |



| Pos | Part Number | Description | Remark | Qty | Model |
|-----|----------------|-------------------------------|--------|-----|-------|
| | | carbon canister | | | |
| 1 | 996 201 221 09 | carbon canister | | 1 | |
| 1 | 996 201 221 07 | carbon canister | | 1 | M664 |
| 2 | 999 702 221 40 | grommet | | 2 | |
| 3 | 996 201 255 07 | vent line | | 1 | |
| 4 | 999 084 629 09 | hexagon nut M 6 | | 1 | |
| 5 | 999 507 543 02 | clamp 2,00 - 3,00 | | 1 | |
| 6 | 996 605 213 01 | valve | | 1 | M664 |
| 7 | 996 605 201 01 | shut-off valve | | 1 | M664 |
| 8 | 996 201 231 01 | valve housing | | 1 | M664 |
| 9 | 999 919 190 02 | oval-head screw M 5 X 25 | | 1 | M664 |
| 10 | 900 378 154 09 | hexagon-head bolt M 8 X 35 | | 2 | M664 |
| 11 | 996 201 555 00 | clip | | 1 | M664 |
| 12 | 999 919 171 07 | oval-head screw 5,0 X 20 | | 1 | |

| | | | | | | | | | | | |
|-------|------|----|----|--------------|--------------|-----|-------|------------|---------|-----|---------|
| Model | Year | MG | SG | Illustration | Restrictions | UPD | 14:48 | 24.01.2010 | PORSCHE | PET | PORSCHE |
| 996T | 2005 | 2 | 02 | 202-00 | | 248 | | | | | |

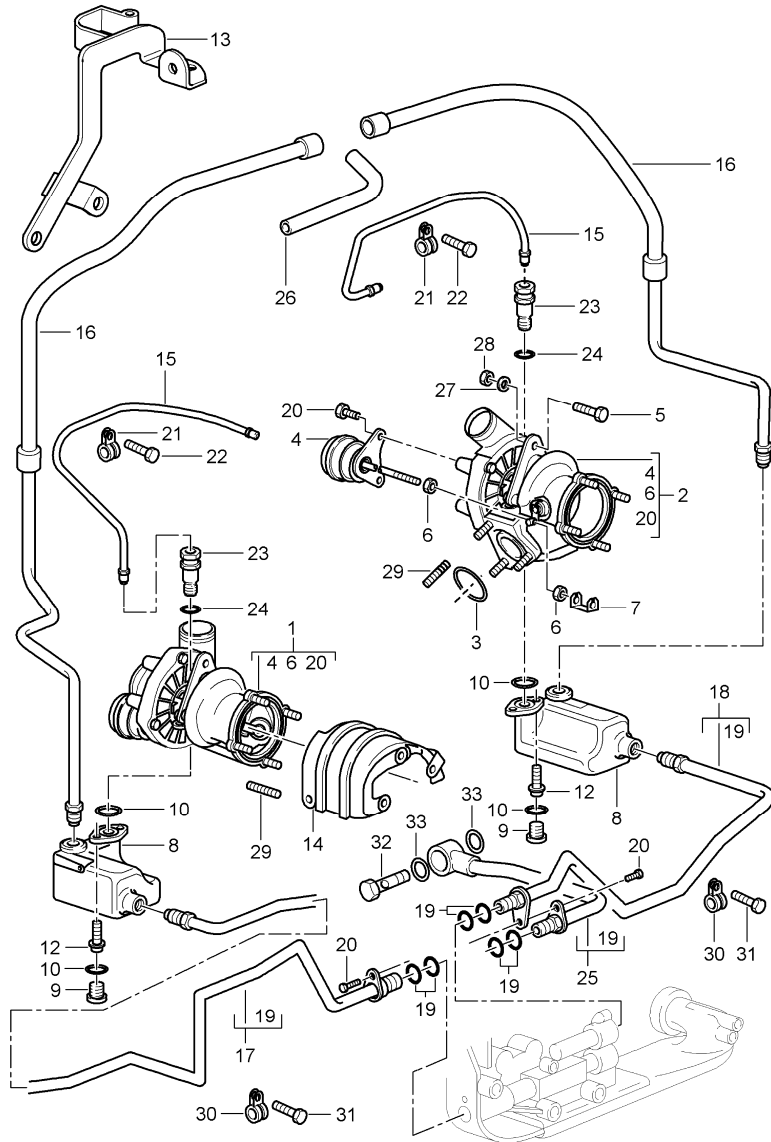


| Pos | Part Number | Description | Remark | Qty | Model |
|------|------------------|---|--------|-----|-------------|
| | | exhaust system | | | |
| 1 | A 996 111 101 73 | exhaust manifold | /L | 1 | |
| (1) | 996 111 101 75 | exhaust manifold | /L | 1 | |
| 2 | A 996 111 102 73 | exhaust manifold | /R | 1 | |
| (2) | 996 111 102 75 | exhaust manifold | /R | 1 | |
| 3 | 996 111 107 71 | gasket | | 2 | |
| 4 | 900 378 227 09 | hexagon-head bolt M 8 X 28 | | 18 | |
| 5 | 996 111 027 75 | muffler | | 1 | |
| (5) | 996 111 987 75 | muffler | 01 | 1 | GT2 IX50 |
| (5) | 996 111 987 77 | muffler | 02- | 1 | GT2 IX50 |
| 6 | 996 111 217 70 | gasket | | 2 | |
| 7 | 999 084 052 02 | lock nut | | 16 | |
| 8 | 900 031 032 02 | washer | | 8 | |
| 9 | 996 606 128 00 | oxygen sensor | | 2 | |
| 10 | 996 606 138 01 | oxygen sensor | | 2 | |
| 11 | 000 043 207 07 | grease for oxygen sensor | | 1 | |
| 12 | 900 067 362 02 | pan-head screw | | 2 | |
| 13 | 996 111 119 72 | restraining strap | | 2 | |
| 14 | 996 111 024 71 | support | | 1 | |
| 15 | 996 111 251 74 | tail pipe see technical information group 2 NR. 8/01 | /L | 1 | |
| (15) | 996 111 981 01 | tail pipe | /L | 1 | IX54 |
| 16 | 996 111 252 74 | tail pipe see technical information group 2 NR. 8/01 | | 1 | |
| (16) | 996 111 982 01 | tail pipe | /R | 1 | IX54 |

| | | | | | | | | | | | |
|-------|------|----|----|--------------|--------------|-----|-------|------------|---------|-----|---------|
| Model | Year | MG | SG | Illustration | Restrictions | UPD | 14:48 | 24.01.2010 | PORSCHE | PET | PORSCHE |
| 996T | 2005 | 2 | 02 | 202-00 | | 248 | | | | | |

| Pos | Part Number | Description | Remark | Qty | Model | Pos | Part Number | Description | Remark | Qty | Model |
|------|----------------|--|--------|-----|-------|-----|-------------|-------------|--------|-----|-------|
| 17 | 900 074 287 02 | hexagon-head bolt M 8 X 35 | | 2 | | | | | | | |
| 18 | 900 031 032 02 | washer | | 2 | | | | | | | |
| 19 | 996 111 205 72 | heat shield | /R | 1 | | | | | | | |
| 20 | 996 111 204 72 | heat shield | /L | 1 | | | | | | | |
| 21 A | 996 111 207 71 | heat shield | /L | 1 | | | | | | | |
| (21) | 996 111 207 72 | heat shield | /L | 1 | | | | | | | |
| 22 A | 996 111 208 71 | heat shield | /R | 1 | | | | | | | |
| (22) | 996 111 208 72 | heat shield | /R | 1 | | | | | | | |
| 23 | 900 119 001 02 | pan-head screw | | 18 | | | | | | | |
| 24 | 996 111 283 70 | shim | | 20 | | | | | | | |
| 25 | 999 591 905 00 | speed nut M 5 | | 20 | | | | | | | |
| 26 | 996 111 212 70 | hexagon-head bolt | | 2 | | | | | | | |
| 27 | 996 606 101 01 | cable holder oxygen sensor | | 2 | | | | | | | |
| 28 | 996 606 107 02 | support oxygen sensor cable plug | | 2 | | | | | | | |

| | | | | | | | | | | | |
|-------|------|----|----|--------------|--------------|-----|-------|------------|---------|-----|---------|
| Model | Year | MG | SG | Illustration | Restrictions | UPD | 14:48 | 24.01.2010 | PORSCHE | PET | PORSCHE |
| 996T | 2005 | 2 | 02 | 202-05 | | 248 | | | | | |

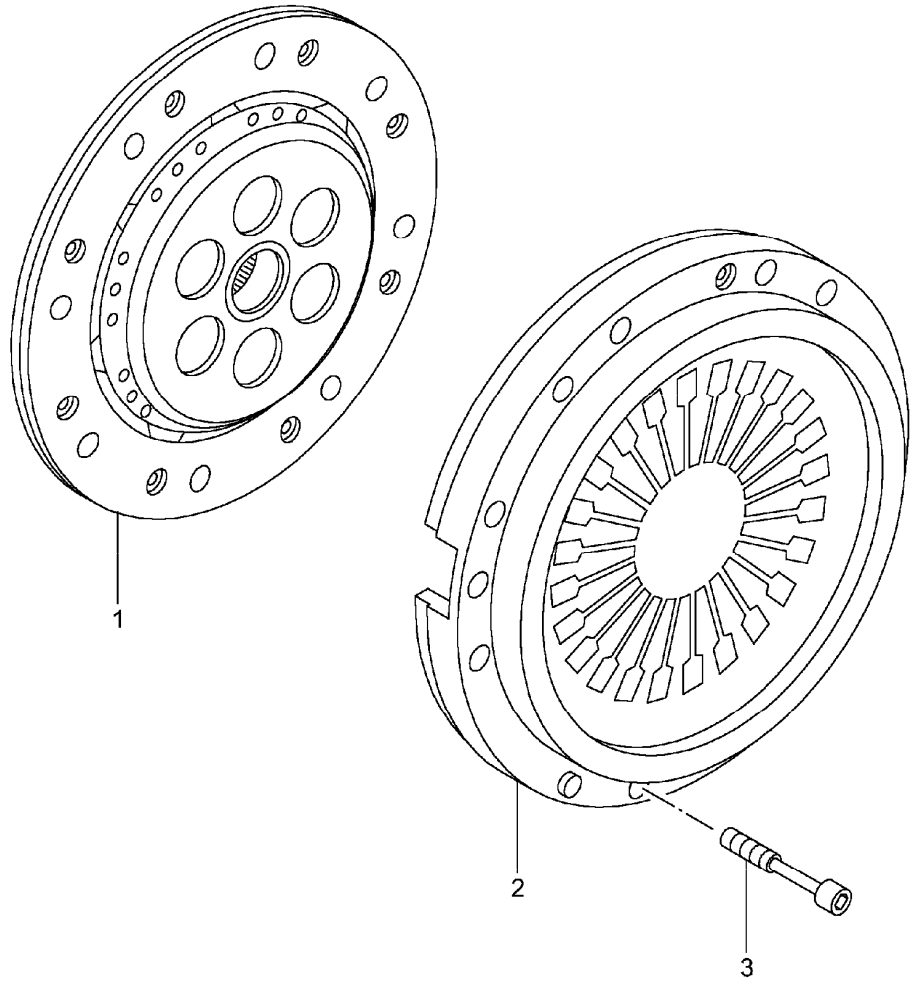


| Pos | Part Number | Description | Remark | Qty | Model |
|------|----------------|---|--------|-----|-------|
| | | turbocharger oil pipe for turbocharger | | | |
| 1 | 996 123 013 75 | turbocharger | /L | 1 | |
| (1) | 996 123 983 71 | turbocharger | /L | 1 | GT2 |
| (1) | 996 123 983 71 | turbocharger | /L | 1 | IX50 |
| 2 | 996 123 014 75 | turbocharger | /R | 1 | |
| (2) | 996 123 984 71 | turbocharger | /R | 1 | GT2 |
| (2) | 996 123 984 71 | turbocharger | /R | 1 | IX50 |
| 3 | 996 111 215 70 | gasket | | 2 | |
| 4 | 996 123 115 71 | control box | /L | 1 | |
| (4) | 996 123 116 71 | control box | /R | 1 | |
| 5 | 900 378 074 09 | hexagon-head bolt M 8 X 16 | | 2 | |
| 6 | 900 076 077 00 | hexagon nut M 6 | | 4 | |
| 7 | 993 123 117 50 | securing clip | | 2 | |
| 8 | 996 107 327 72 | oil collection container | /L | 1 | |
| (8) | 996 107 328 72 | oil collection container | /R | 1 | |
| 9 | 900 219 009 30 | screw plug M 18 X 1,5 | | 2 | |
| 10 | 900 123 140 30 | sealing ring A 18 X 22 | | 2 | |
| 11 | 999 701 598 40 | o-ring 18,65 X 2,45 | | 2 | |
| 12 | 900 067 271 02 | pan-head screw M 8 X 20 | | 4 | |
| 13 | 996 111 213 71 | bracket | /L | 1 | |
| (13) | 996 111 214 71 | bracket | /R | 1 | |
| 14 | 996 123 215 75 | heat shield | /L | 1 | |
| (14) | 996 123 216 74 | heat shield | /R | 1 | |
| 15 | 996 107 219 72 | pressure line | /L | 1 | |

| | | | | | | | | | | | |
|-------|------|----|----|--------------|--------------|-----|-------|------------|---------|-----|---------|
| Model | Year | MG | SG | Illustration | Restrictions | UPD | 14:48 | 24.01.2010 | PORSCHE | PET | PORSCHE |
| 996T | 2005 | 2 | 02 | 202-05 | | 248 | | | | | |

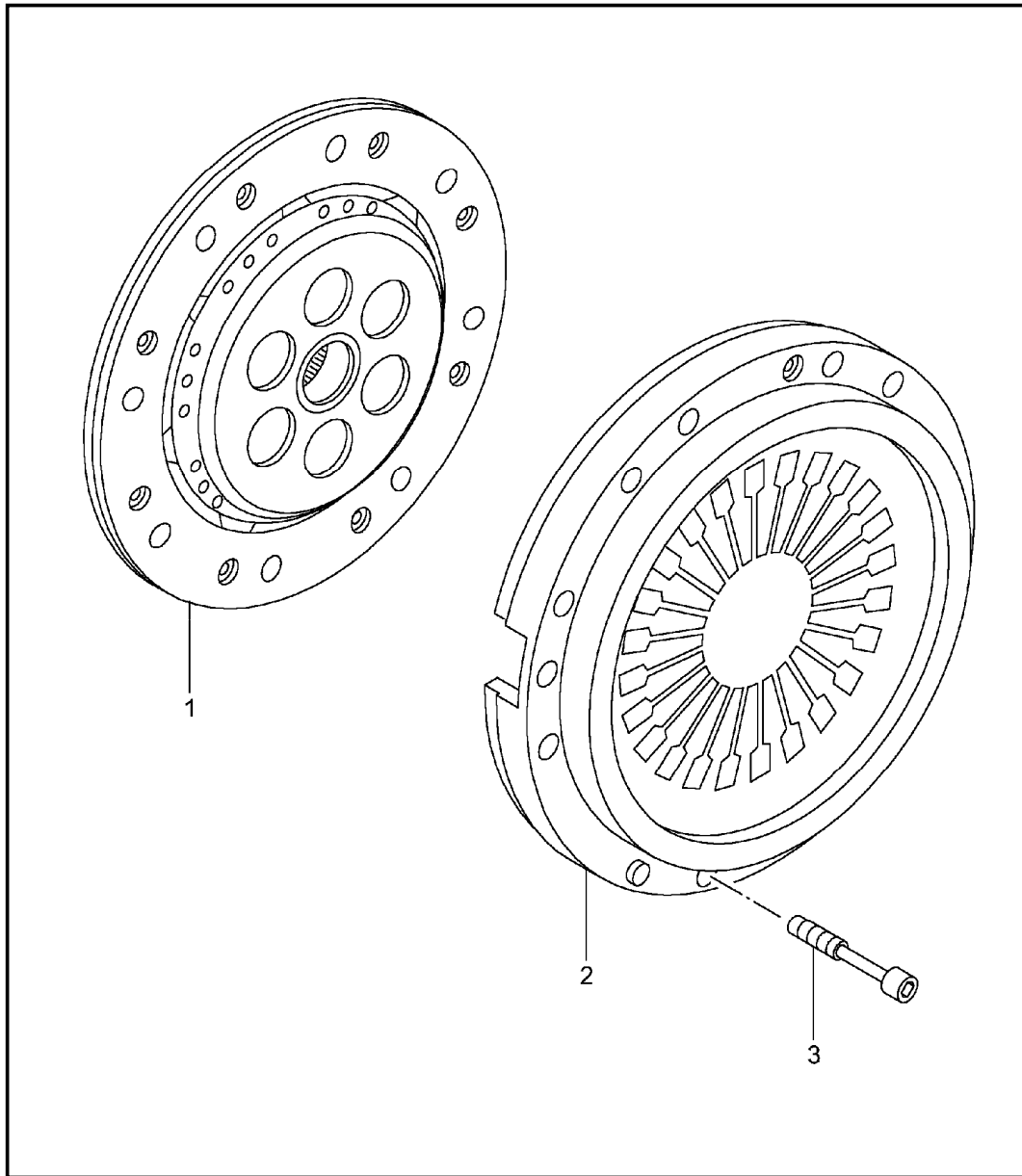
| Pos | Part Number | Description | Remark | Qty | Model | Pos | Part Number | Description | Remark | Qty | Model |
|------|------------------|-------------------------------|--------|-----|-------|-----|-------------|-------------|--------|-----|-------|
| (15) | 996 107 220 72 | pressure line | /R | 1 | | | | | | | |
| 16 | 996 107 239 72 | vent line | /L | 1 | | | | | | | |
| (16) | 996 107 240 71 | vent line | /R | 1 | | | | | | | |
| 17 | A 996 107 329 74 | intake pipe | /L | 1 | | | | | | | |
| (17) | 996 107 329 75 | intake pipe | /L | 1 | | | | | | | |
| 18 | 996 107 338 73 | intake pipe | /R | 1 | | | | | | | |
| 19 | 999 701 789 40 | o-ring 12,0 X 2,0 | | 6 | | | | | | | |
| 20 | 900 378 036 09 | hexagon-head bolt M 6 X 12 | | 6 | | | | | | | |
| 21 | 999 512 429 02 | clamp 6 X 15 | | 2 | | | | | | | |
| 22 | 900 378 174 09 | hexagon-head bolt M 6 X 35 | | 2 | | | | | | | |
| 23 | 996 107 030 78 | check valve | | 2 | | | | | | | |
| 24 | 900 123 005 20 | sealing ring 12 X 16 | | 2 | | | | | | | |
| 25 | 996 107 216 76 | oil pipe | | 1 | | | | | | | |
| 26 | 996 207 139 70 | breather hose | | 1 | | | | | | | |
| 27 | 900 336 005 00 | washer | | 2 | | | | | | | |
| 28 | 999 084 052 02 | lock nut | | 2 | | | | | | | |
| 29 | 900 081 059 00 | stud M 8 X 22 | | 14 | | | | | | | |
| 30 | 999 511 251 02 | clamp 6 X 15 | | 2 | | | | | | | |
| 31 | 900 378 030 09 | hexagon-head bolt M 6 X 20 | | 2 | | | | | | | |
| 32 | 900 175 022 02 | banjo bolt | | 1 | | | | | | | |
| 33 | 900 123 152 30 | sealing ring A 16 X 22 | | 2 | | | | | | | |

| | | | | | | | | | | | |
|-------|------|----|----|--------------|--------------|-----|-------|------------|---------|-----|---------|
| Model | Year | MG | SG | Illustration | Restrictions | UPD | 14:48 | 24.01.2010 | PORSCHE | PET | PORSCHE |
| 996T | 2005 | 3 | 01 | 301-00 | | 248 | | | | | |



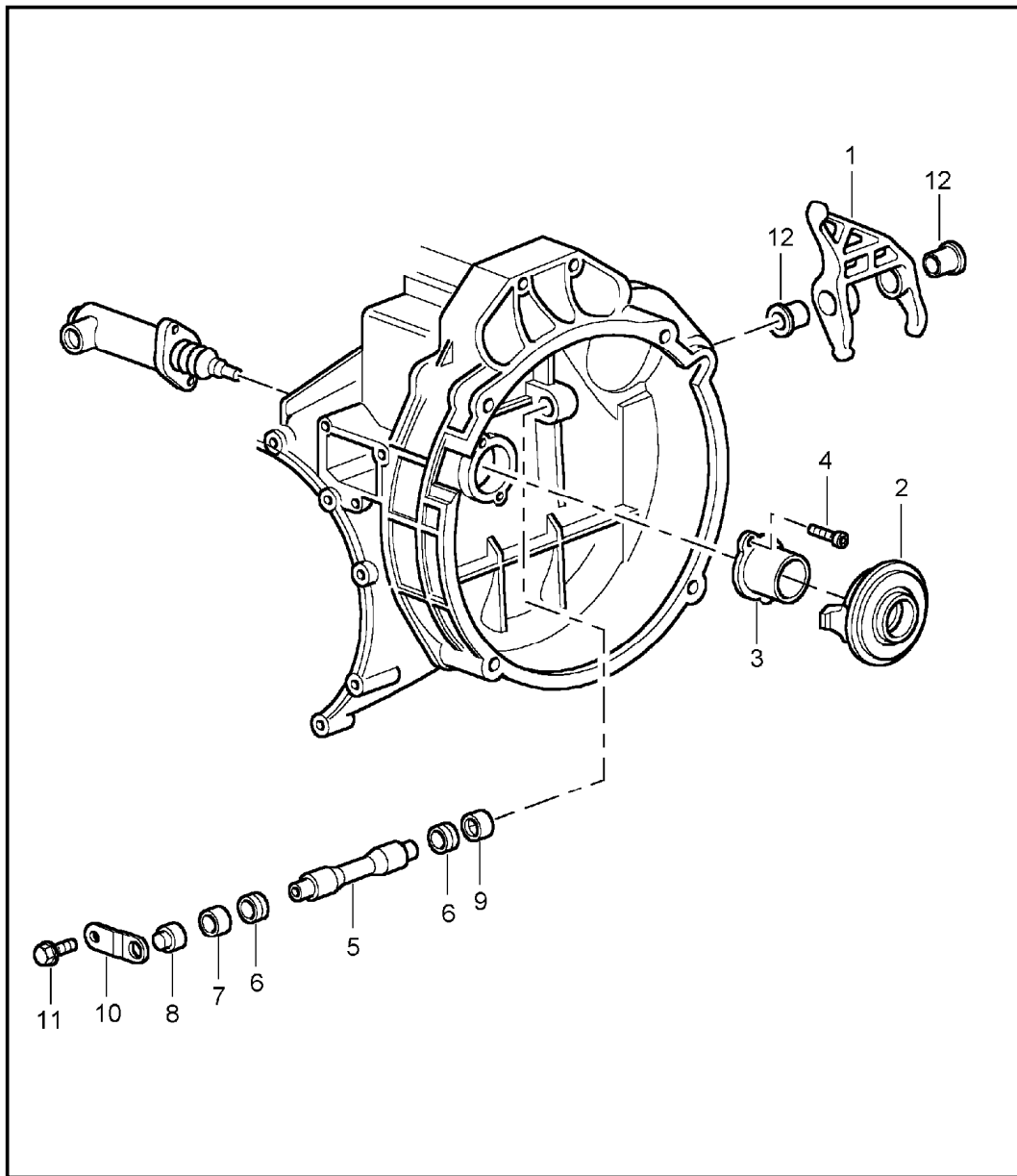
| Pos | Part Number | Description | Remark | Qty | Model |
|-----|----------------|----------------------------|--------|-----|-------------------|
| | | clutch | 02- | | M96.70 M96.70E |
| 1 | 996 116 013 51 | clutch plate | | 1 | |
| 1 | 996 116 013 52 | clutch plate | | 1 | M96.70E IX50 |
| 2 | 996 116 027 51 | pressure plate | | 1 | |
| 3 | 999 510 015 02 | pan-head screw M 8 X 40 | | 9 | |

| | | | | | | | | | | | |
|-------|------|----|----|--------------|--------------|-----|-------|------------|---------|-----|---------|
| Model | Year | MG | SG | Illustration | Restrictions | UPD | 14:49 | 24.01.2010 | PORSCHE | PET | PORSCHE |
| 996T | 2005 | 3 | 01 | 301-01 | | 248 | | | | | |



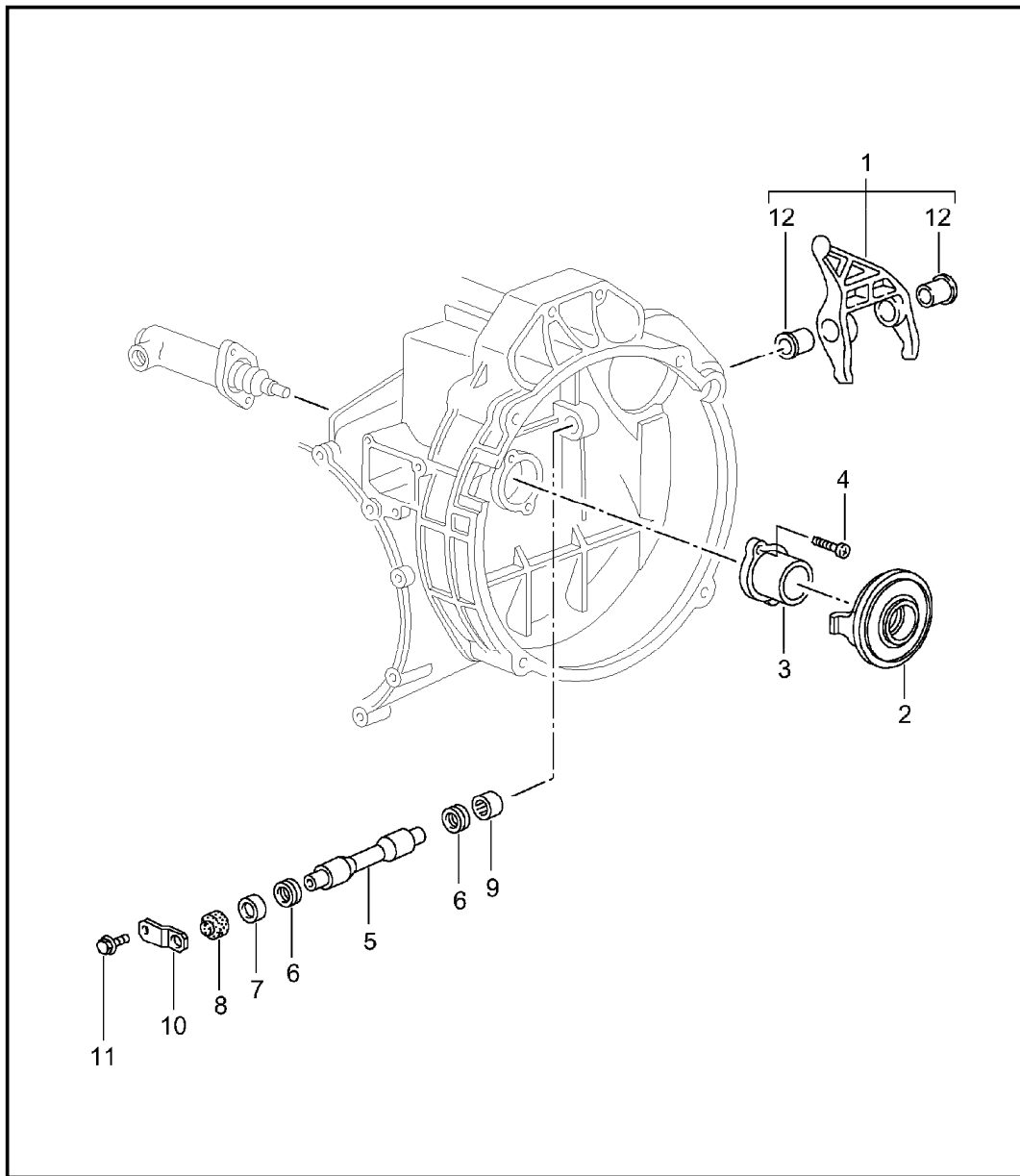
| Pos | Part Number | Description | Remark | Qty | Model |
|-----|----------------|----------------------------|--------|-----|--------------|
| | | clutch | M 101 | | S M96.70S |
| 1 | 996 116 015 88 | clutch plate | | 1 | |
| 2 | 996 116 027 51 | pressure plate | | 1 | |
| 3 | 999 510 015 02 | pan-head screw M 8 X 40 | | 9 | |

| | | | | | | | | | | | |
|-------|------|----|----|--------------|--------------|-----|-------|------------|---------|-----|---------|
| Model | Year | MG | SG | Illustration | Restrictions | UPD | 14:49 | 24.01.2010 | PORSCHE | PET | PORSCHE |
| 996T | 2005 | 3 | 01 | 301-05 | | 248 | | | | | |



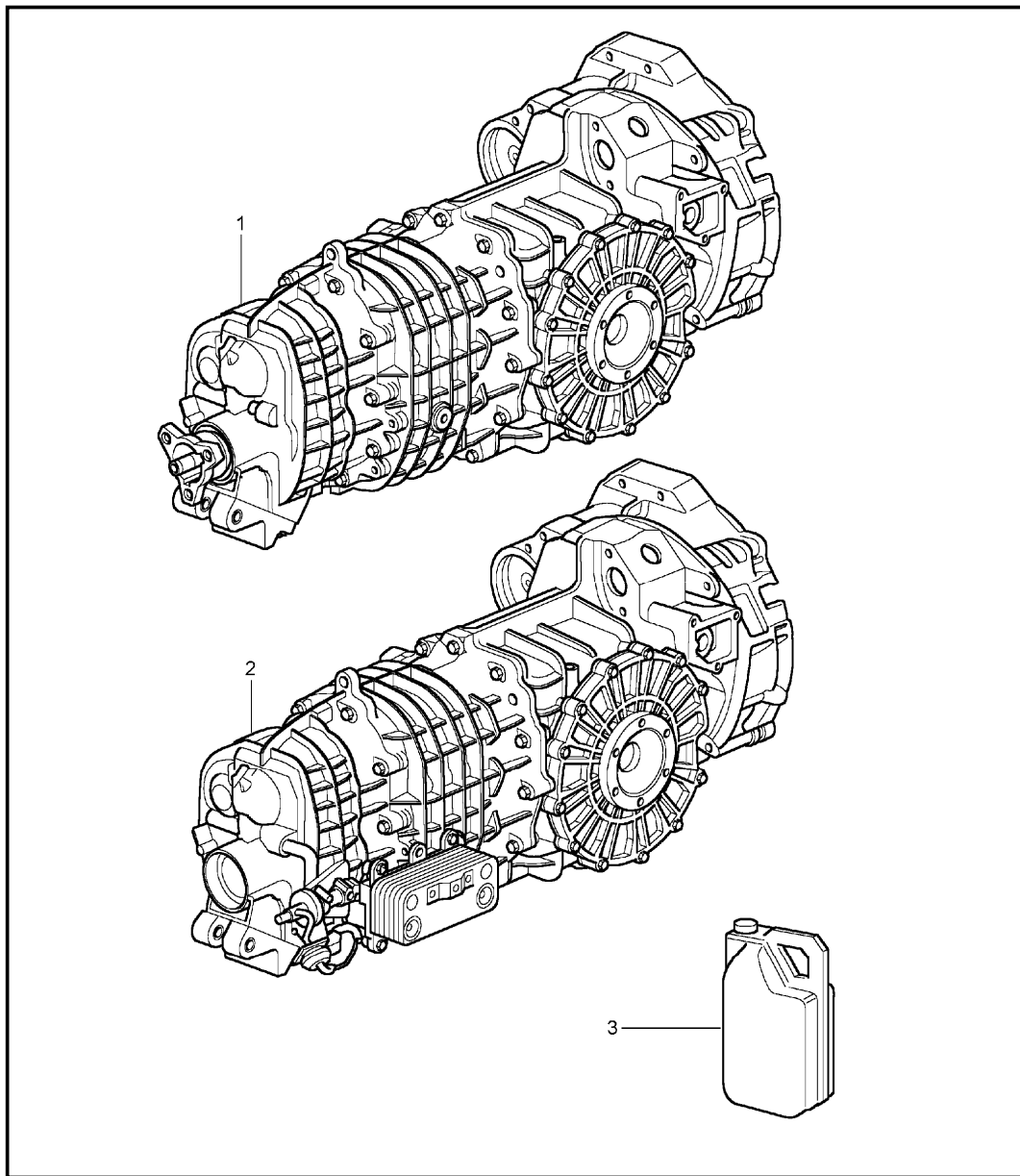
| Pos | Part Number | Description | Remark | Qty | Model |
|-----|----------------|---|--------|-----|--------|
| | | clutch release clutch operating cylinder see group 7/02/08 | | | G96.50 |
| 1 | 996 116 712 51 | clutch release lever | | 1 | |
| 2 | 950 116 080 08 | clutch release bearing | | 1 | |
| 3 | 950 116 813 06 | guide tube | | 1 | |
| 4 | 999 270 070 02 | oval-head screw M 6 X 14 | | 2 | |
| 5 | 950 116 710 04 | clutch control shaft | | 1 | |
| 6 | 999 113 418 40 | gasket 13,02 X 16,4 | | 2 | |
| 7 | 999 201 339 00 | articulated bush | | 1 | |
| 8 | 950 116 725 00 | cover | | 1 | |
| 9 | 999 201 365 00 | articulated bush | | 1 | |
| 10 | 950 116 713 02 | retaining bracket | | 1 | |
| 11 | 900 075 057 02 | hexagon-head bolt M 6 X 16 | | 1 | |
| 12 | 950 116 715 01 | bush | | 2 | |

| | | | | | | | | | | | |
|-------|------|----|----|--------------|--------------|-----|-------|------------|---------|-----|---------|
| Model | Year | MG | SG | Illustration | Restrictions | UPD | 14:49 | 24.01.2010 | PORSCHE | PET | PORSCHE |
| 996T | 2005 | 3 | 01 | 301-06 | | 248 | | | | | |



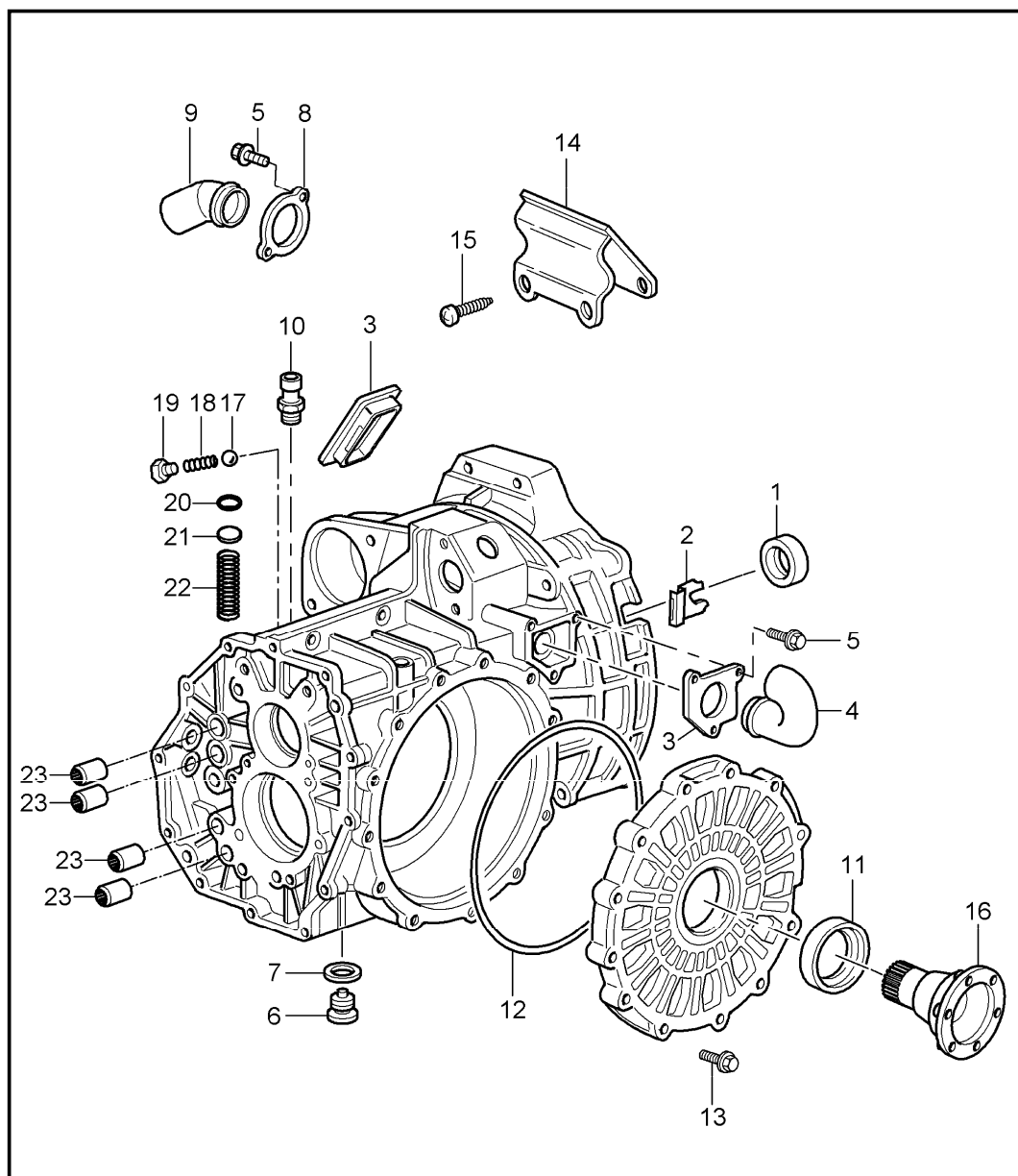
| Pos | Part Number | Description | Remark | Qty | Model |
|-----|----------------|---|--------|-----|--------|
| | | clutch release clutch operating cylinder see group 7/02/08 | | | G96.88 |
| 1 | 950 116 086 06 | release fork | | 1 | |
| 2 | 950 116 080 08 | clutch release bearing | | 1 | |
| 3 | 950 116 813 06 | guide tube | | 1 | |
| 4 | 999 270 070 02 | oval-head screw M 6 X 14 | | 2 | |
| 5 | 950 116 710 04 | clutch control shaft | | 1 | |
| 6 | 999 113 418 40 | gasket 13,02 X 16,4 | | 2 | |
| 7 | 999 201 339 00 | articulated bush | | 1 | |
| 8 | 950 116 725 00 | cover | | 1 | |
| 9 | 999 201 365 00 | articulated bush | | 1 | |
| 10 | 950 116 713 02 | retaining bracket | | 1 | |
| 11 | 900 075 057 02 | hexagon-head bolt M 6 X 16 | | 1 | |
| 12 | 950 116 715 01 | bush | | 2 | |

| | | | | | | | | | | | |
|-------|------|----|----|--------------|--------------|-----|-------|------------|---------|-----|---------|
| Model | Year | MG | SG | Illustration | Restrictions | UPD | 14:49 | 24.01.2010 | PORSCHE | PET | PORSCHE |
| 996T | 2005 | 3 | 02 | 302-00 | | 248 | | | | | |



| Pos | Part Number | Description | Remark | Qty | Model |
|-----|------------------|---|--------|-----|--------------------|
| | | replacement transmission ready for installation | | | G96.50 G96.88 |
| 1 | > 996 300 010 50 | transmission without limited-slip differential | | 1 | G96.50 |
| (1) | > 996 300 010 55 | replacement transmission without limited-slip differential | 02- | 1 | G96.50 IX50/X50 |
| (1) | > 996 300 020 55 | transmission with limited-slip differential | 04- | 1 | G96.50 IX75/X75 |
| 2 | > 996 300 020 88 | transmission with limited-slip differential | | 1 | G96.88 |
| 3 | 000 043 204 20 | transmission oil MOBILUBE PTX 75 W 90 container 20 LTR. | | X | |

| | | | | | | | | | | | |
|-------|------|----|----|--------------|--------------|-----|-------|------------|---------|-----|---------|
| Model | Year | MG | SG | Illustration | Restrictions | UPD | 14:49 | 24.01.2010 | PORSCHE | PET | PORSCHE |
| 996T | 2005 | 3 | 02 | 302-01 | | 248 | | | | | |

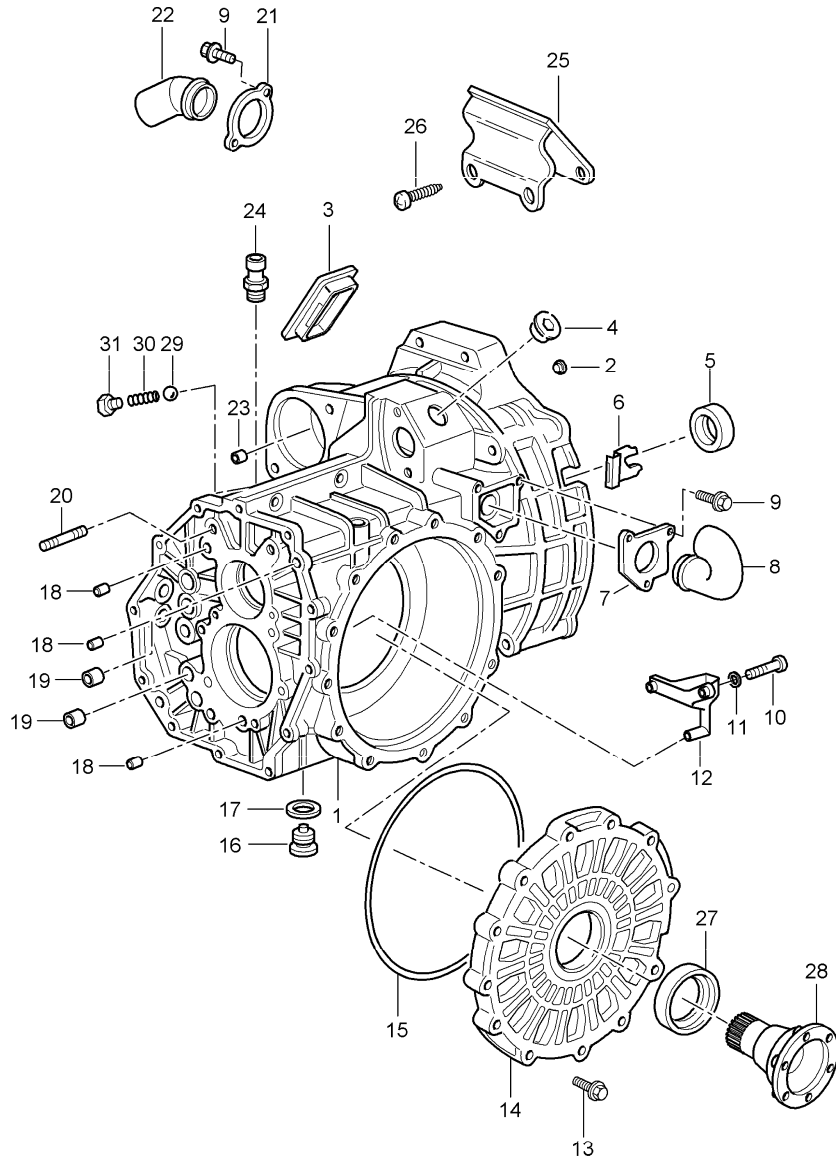


| Pos | Part Number | Description | Remark | Qty | Model |
|-----|----------------|---|--------|--------|--------|
| | | transmission case | | | G96.50 |
| 1 | 999 113 326 41 | shaft sealing ring 26,5 X 40 | | 1 | |
| 2 | 993 116 630 00 | cap | | 1 | |
| 3 | 996 116 612 00 | flange | | 1 | |
| 4 | 993 116 610 00 | intake manifold | | 1 | |
| 5 | 900 378 035 01 | hexagon-head bolt M 6 X 16 | | 5 | |
| 6 | 999 063 008 02 | screw plug with magnet M 22 X 1,5 | | 1 | |
| 7 | 900 123 118 30 | sealing ring | | 1 | |
| 8 | 996 116 710 00 | flange socket | | 1 | |
| 9 | 993 116 610 00 | intake manifold | | 1 | |
| 10 | 996 301 071 00 | bleeder 17 X 12 X 28,1 | | 1 | |
| 11 | 999 113 347 40 | shaft sealing ring 48 X 68 X 10 | | 2 | |
| 12 | 999 707 328 40 | o-ring 205 X 3,5 | | 1 | |
| 13 | 996 301 317 00 | hexagon-head bolt M 8 X 35 | | 12 | |
| 14 | 996 449 101 50 | hook | | 1 | |
| 15 | 999 073 190 09 | oval-head screw M 8 X 60 | | 2 2 | |
| 16 | 996 332 209 50 | joint flange | | 2 | |
| 17 | 900 108 064 00 | ball 8 | | 4 | |
| 18 | 996 303 245 00 | compression spring | | 4 | |
| 19 | 900 124 023 02 | screw plug M 10 X 1 | | 4 | |
| 20 | 996 303 257 00 | lid 20 X 4 | | 1 | |
| 21 | 900 042 003 01 | circlip 20 X 1 | | 1 | |

| | | | | | | | | | | | |
|-------|------|----|----|--------------|--------------|-----|-------|------------|---------|-----|---------|
| Model | Year | MG | SG | Illustration | Restrictions | UPD | 14:49 | 24.01.2010 | PORSCHE | PET | PORSCHE |
| 996T | 2005 | 3 | 02 | 302-01 | | 248 | | | | | |

| Pos | Part Number | Description | Remark | Qty | Model | Pos | Part Number | Description | Remark | Qty | Model |
|-----|----------------|------------------------------|--------|-----|-------|-----|-------------|-------------|--------|-----|-------|
| 22 | 996 303 255 00 | compression spring | | 1 | | | | | | | |
| 23 | 996 303 513 00 | round socket 15 X 21 X 22 | | 4 | | | | | | | |
| -- | 996 606 103 01 | switch back-up light | | 1 | | | | | | | |

| | | | | | | | | | | | |
|-------|------|----|----|--------------|--------------|-----|-------|------------|---------|-----|---------|
| Model | Year | MG | SG | Illustration | Restrictions | UPD | 14:50 | 24.01.2010 | PORSCHE | PET | PORSCHE |
| 996T | 2005 | 3 | 02 | 302-02 | | 248 | | | | | |

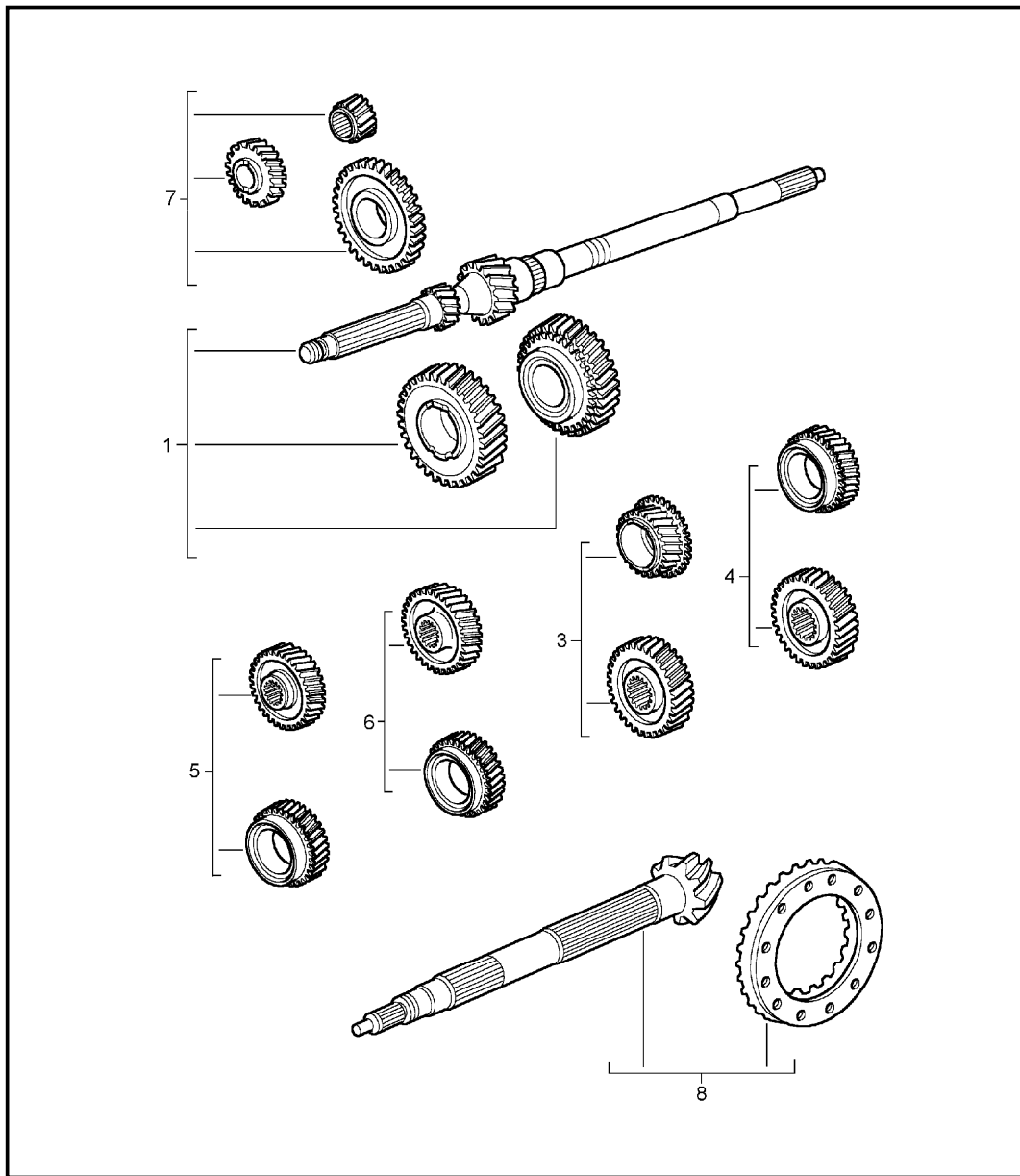


| Pos | Part Number | Description | Remark | Qty | Model |
|-----|----------------|---|--------|-----|--------|
| | | transmission case | | | G96.88 |
| 1 | 996 301 101 88 | transmission case | | 1 | |
| 2 | 999 036 002 40 | lid A 14 | | 1 | |
| 3 | 950 301 151 01 | cap | | 1 | |
| 4 | 999 703 490 40 | lid 30 X 42 | | 1 | |
| 5 | 999 113 326 41 | shaft sealing ring 26,5 X 40 | | 1 | |
| 6 | 993 116 630 00 | cap | | 1 | |
| 7 | 996 116 612 00 | flange | | 1 | |
| 8 | 993 116 610 00 | intake manifold | | 1 | |
| 9 | 900 378 035 01 | hexagon-head bolt M 6 X 16 | | 5 | |
| 10 | 900 067 005 02 | screw M 5 X 30 | | 2 | |
| 11 | 900 025 003 02 | washer A 5,3 | | 2 | |
| 12 | 964 307 107 00 | funnel | | 1 | |
| 13 | 996 301 317 00 | hexagon-head bolt M 8 X 35 | | 12 | |
| 14 | 996 301 312 50 | transmission cover | | 1 | |
| 15 | 999 707 328 40 | o-ring 205 X 3,5 | | 1 | |
| 16 | 999 063 008 02 | screw plug with magnet M 22 X 1,5 | | 1 | |
| 17 | 900 123 118 30 | sealing ring A 22 X 27 | | 1 | |
| 18 | 900 012 144 00 | straight pin 12 M 6 X 14 | | 4 | |
| 19 | 996 303 513 00 | round socket 15 X 21 X 22 | | 4 | |
| 20 | 900 081 042 02 | stud BM 8 X 42 | | 1 | |
| 21 | 996 116 710 00 | flange socket | | 1 | |

| | | | | | | | | | | | |
|-------|------|----|----|--------------|--------------|-----|-------|------------|---------|-----|---------|
| Model | Year | MG | SG | Illustration | Restrictions | UPD | 14:50 | 24.01.2010 | PORSCHE | PET | PORSCHE |
| 996T | 2005 | 3 | 02 | 302-02 | | 248 | | | | | |

| Pos | Part Number | Description | Remark | Qty | Model | Pos | Part Number | Description | Remark | Qty | Model |
|-----|----------------|------------------------------------|--------|-----|-------|-----|-------------|-------------|--------|-----|-------|
| 22 | 993 116 610 00 | intake manifold | | 1 | | | | | | | |
| 23 | 999 531 017 10 | bush 12,1 X 14 | | 1 | | | | | | | |
| 24 | 996 301 071 00 | bleeder 17 X 12 X 28,1 | | 1 | | | | | | | |
| 25 | 996 449 101 50 | hook | | 1 | | | | | | | |
| 26 | 999 073 190 09 | oval-head screw M 8 X 60 | | 2 | | | | | | | |
| 27 | 999 113 356 40 | shaft sealing ring 48 X 60 X 10 | | 2 | | | | | | | |
| 28 | 950 332 209 01 | joint flange | | 2 | | | | | | | |
| 29 | 900 108 064 00 | ball 8 | | 4 | | | | | | | |
| 30 | 996 303 245 00 | compression spring | | 4 | | | | | | | |
| 31 | 900 124 023 02 | screw plug M 10 X 1 | | 4 | | | | | | | |
| -- | 996 606 103 01 | switch back-up light | | 1 | | | | | | | |

| | | | | | | | | | | | |
|-------|------|----|----|--------------|--------------|-----|-------|------------|---------|-----|---------|
| Model | Year | MG | SG | Illustration | Restrictions | UPD | 14:50 | 24.01.2010 | PORSCHE | PET | PORSCHE |
| 996T | 2005 | 3 | 03 | 303-00 | | 248 | | | | | |

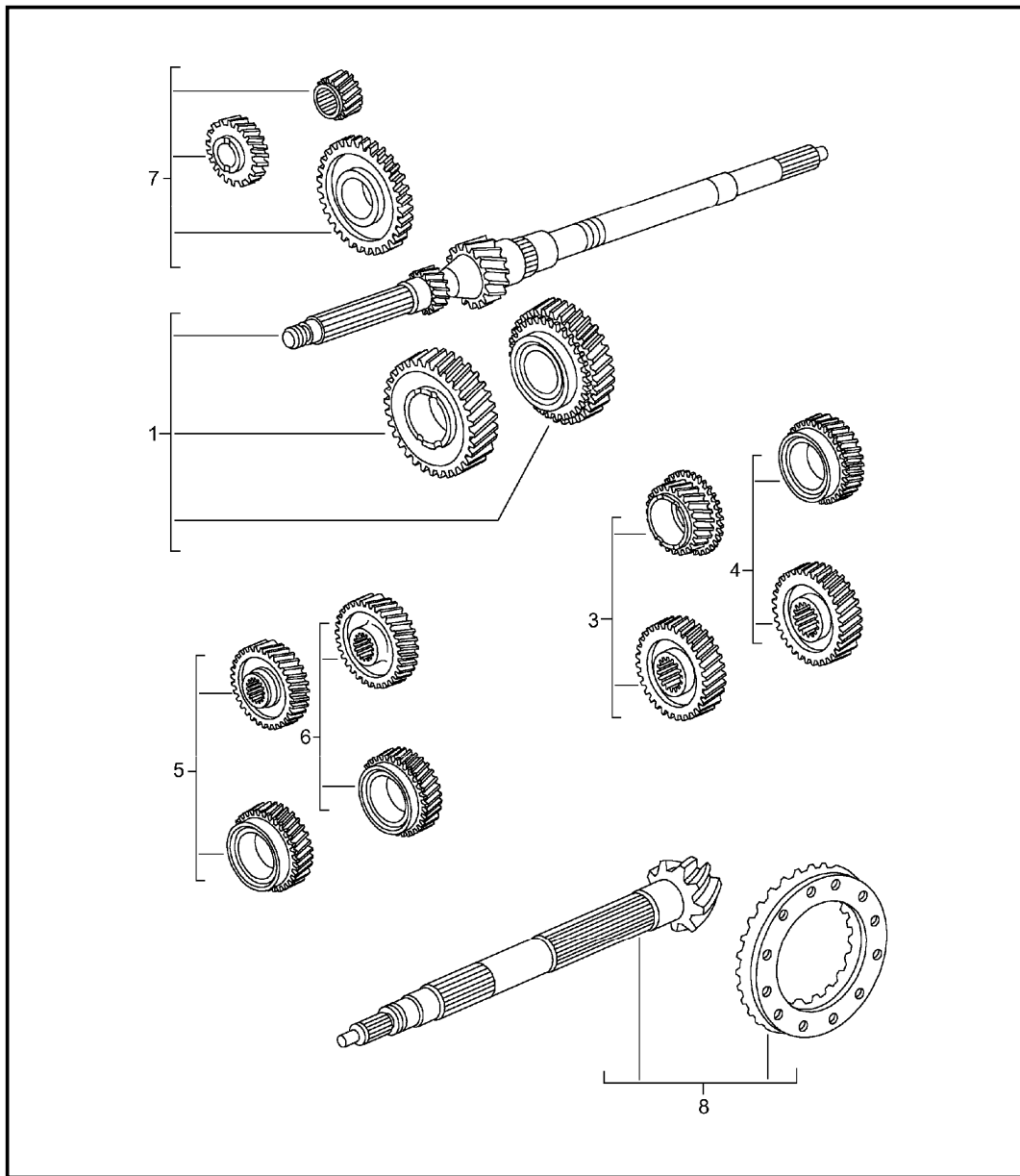


| Pos | Part Number | Description | Remark | Qty | Model |
|-----|----------------|---|--------|-----|----------------|
| | | gear wheel sets see technical information group 3 NR.1 / 03 NR.2 / 03 | | | G96.50 |
| 1 | 996 302 901 50 | gear set 1st/2nd gear 1st gear Z = 42 : 11 2nd gear Z = 43 : 21 | | 1 | |
| - | 996 302 042 50 | loose gear wheel 2nd gear Z = 43 : 21 | | 1 | |
| 3 | 996 302 953 02 | gear set 3rd gear Z = 38 : 27 | | 1 | |
| - | 996 302 093 93 | loose gear wheel 3rd gear Z = 38 : 27 | | 1 | |
| 4 | 996 302 954 02 | gear set 4th speed Z = 38 : 34 | | 1 | |
| - | 996 302 094 93 | loose gear wheel 4th speed | | 1 | |
| 5 | 996 302 955 51 | gear set 5th gear Z = 34 : 37 | | 1 | |
| - | 996 302 075 51 | loose gear wheel 5th gear Z = 34 : 37 | | 1 | |
| 6 | 996 302 956 50 | gear set 6th gear Z = 30 : 40 | | 1 | |
| - | 996 302 076 50 | loose gear wheel 6th gear Z = 30 : 40 | | 1 | |
| 7 | 996 302 907 50 | gear set reverse gear | | 1 | |
| 8 | 996 302 911 55 | ring gear and pinion shaft 31 : 9 | | 1 | G96.50 IX50 |

| | | | | | | | | | | | |
|-------|------|----|----|--------------|--------------|-----|-------|------------|---------|-----|---------|
| Model | Year | MG | SG | Illustration | Restrictions | UPD | 14:50 | 24.01.2010 | PORSCHE | PET | PORSCHE |
| 996T | 2005 | 3 | 03 | 303-00 | | 248 | | | | | |

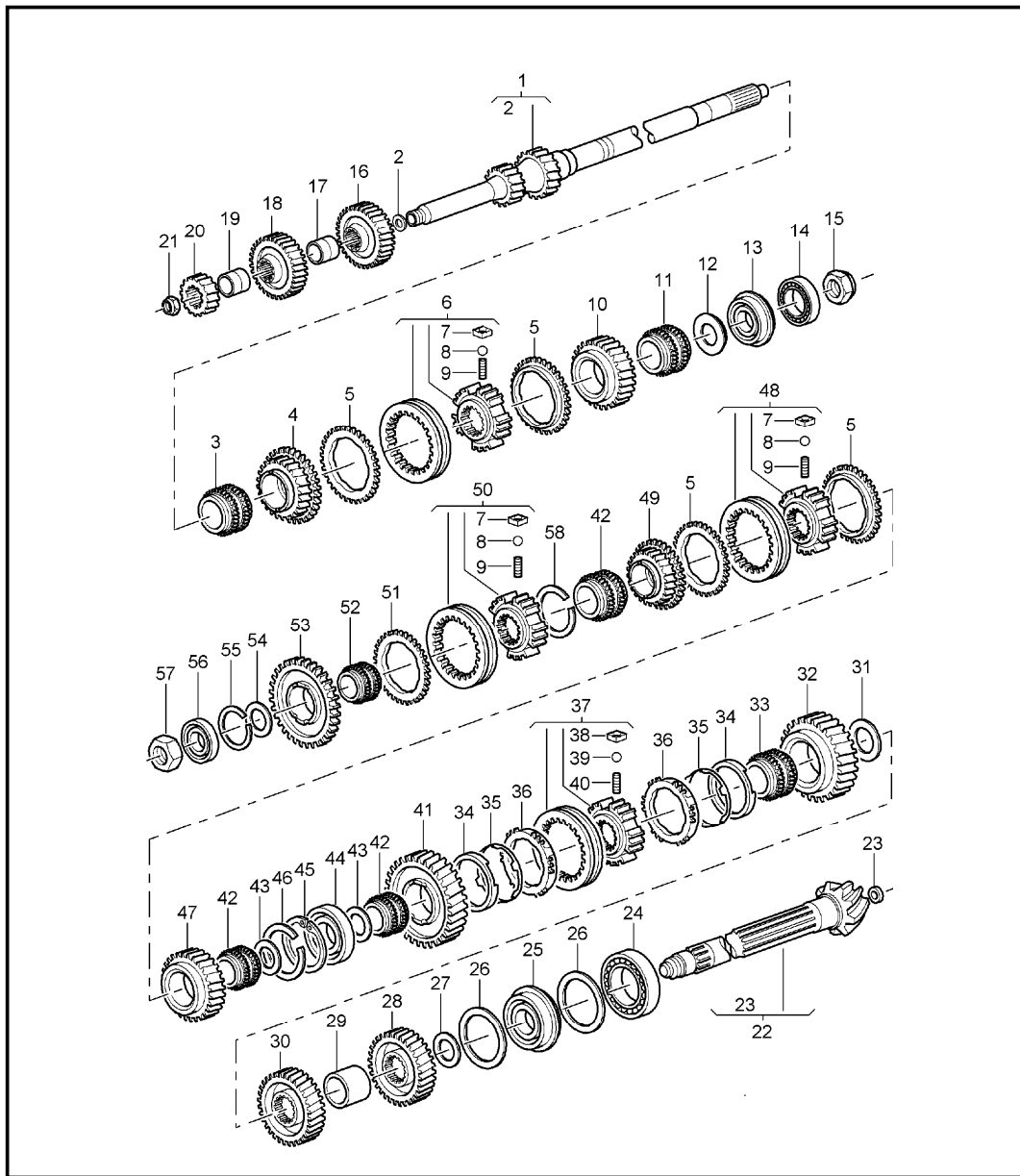
| Pos | Part Number | Description | Remark | Qty | Model | Pos | Part Number | Description | Remark | Qty | Model |
|-----|----------------|--------------------------------------|--------|-----|--------|-----|-------------|-------------|--------|-----|-------|
| 8 | 996 302 911 70 | ring gear and pinion shaft 31 : 9 | | 1 | G96.50 | | | | | | |

| | | | | | | | | | | | |
|-------|------|----|----|--------------|--------------|-----|-------|------------|---------|-----|---------|
| Model | Year | MG | SG | Illustration | Restrictions | UPD | 14:50 | 24.01.2010 | PORSCHE | PET | PORSCHE |
| 996T | 2005 | 3 | 03 | 303-01 | | 248 | | | | | |



| Pos | Part Number | Description | Remark | Qty | Model |
|-----|----------------|--|--------|-----|--------|
| | | gear wheel sets | | | G96.88 |
| 1 | 996 302 901 50 | gear set 1st/2nd gear 1st gear Z = 42 : 11 2nd gear Z = 43 : 21 | | 1 | |
| 3 | 996 302 953 03 | gear set 3rd gear Z = 38 : 27 | | 1 | |
| 4 | 996 302 954 03 | gear set 4th speed Z = 38 : 34 | | 1 | |
| 5 | 996 302 955 50 | gear set 5th gear Z = 34 : 37 | | 1 | |
| 6 | 996 302 956 50 | gear set 6th gear Z = 30 : 40 | | 1 | |
| 7 | 996 302 907 50 | gear set reverse gear | | 1 | |
| 8 | 950 302 911 71 | ring gear and pinion shaft 31 : 9 | | 1 | |

| | | | | | | | | | | | |
|-------|------|----|----|--------------|--------------|-----|-------|------------|---------|-----|---------|
| Model | Year | MG | SG | Illustration | Restrictions | UPD | 14:50 | 24.01.2010 | PORSCHE | PET | PORSCHE |
| 996T | 2005 | 3 | 03 | 303-10 | | 248 | | | | | |



| Pos | Part Number | Description | Remark | Qty | Model |
|-----|----------------|--|--------|-----|------------------|
| | | gears and shafts | X50 | | G96.50 G96.50 |
| | | see technical information group 3 NR.1 / 03 NR.2 / 03 | | | |
| | | gear wheel sets see group 3/03/00 | | | |
| 1 | --- | drive shaft | | 1 | |
| 2 | 964 302 335 02 | washer 7 MM | | 1 | |
| 3 | 999 201 442 00 | needle-roller bearing 42 X 47 X 32 | | 1 | |
| | | 3rd gear see group 3/03/00 | | | |
| 5 | 928 304 211 23 | synchroniser ring | | 4 | |
| 6 | 996 304 021 51 | guide sleeve 3rd/4th gear | | 1 | |
| 7 | 928 304 251 00 | stone | | 9 | |
| 8 | N 025 653 2 | ball 6,5 MM | | 9 | |
| 9 | 928 304 261 01 | compression spring | | 9 | |
| | | 4th speed see group 3/03/00 | | | |
| 11 | 999 201 437 06 | needle-roller bearing 35 X 47 X 32,2 | | 1 | |
| 12 | 996 302 294 50 | thrust washer 4th speed | | 1 | |
| 13 | 999 052 094 00 | four-point bearing 30 X 62 X 16 | | 1 | |
| 14 | 999 110 117 01 | cylindrical-roller bearing 30 X 62 X 20 | | 1 | |
| 15 | 999 034 033 00 | hexagon nut M 30 X 1,5 | | 1 | |

| | | | | | | | | | | | |
|-------|------|----|----|--------------|--------------|-----|-------|------------|---------|-----|---------|
| Model | Year | MG | SG | Illustration | Restrictions | UPD | 14:50 | 24.01.2010 | PORSCHE | PET | PORSCHE |
| 996T | 2005 | 3 | 03 | 303-10 | | 248 | | | | | |

| Pos | Part Number | Description | Remark | Qty | Model | Pos | Part Number | Description | Remark | Qty | Model |
|-----|----------------|--|--------|-----|-------|-----|----------------|------------------------|--------|-----|-------|
| | | 6th gear see group 3/03/00 | | | | 26 | 996 302 163 58 | shim 90 X 97 X 0,90 | | X | |
| 17 | 950 302 268 12 | spacer sleeve 5th gear and 6th gear | | 1 | | 26 | 996 302 163 59 | shim 90 X 97 X 0,95 | | X | |
| | | 5th gear see group 3/03/00 | | | | 26 | 996 302 163 60 | shim 90 X 97 X 1,00 | | X | |
| 19 | 950 302 270 02 | spacer sleeve | | 1 | | 26 | 996 302 163 61 | shim 90 X 97 X 1,05 | | X | |
| 20 | --- | fixed gear wheel reverse gear | | 1 | | 26 | 996 302 163 62 | shim 90 X 97 X 1,10 | | X | |
| 21 | 999 034 035 00 | lock nut M 22 X 1,5 | | 1 | | 26 | 996 302 163 63 | shim 90 X 97 X 1,15 | | X | |
| 22 | --- | pinion shaft | | 1 | | 26 | 996 302 163 64 | shim 90 X 97 X 1,20 | | X | |
| 23 | 964 302 335 01 | washer 14,5 | | 1 | | 26 | 996 302 163 65 | shim 90 X 97 X 1,25 | | X | |
| 24 | 999 110 119 01 | cylindrical-roller bearing 40 X 90 X 23 | | 1 | | 26 | 996 302 163 66 | shim 90 X 97 X 1,30 | | X | |
| 25 | 999 052 164 00 | four-point bearing 40 X 82 X 18 | | 1 | | 26 | 996 302 163 67 | shim 90 X 97 X 1,35 | | X | |
| 26 | 996 302 163 50 | shim 90 X 97 X 0,50 | | X | | 26 | 996 302 163 68 | shim 90 X 97 X 1,40 | | X | |
| 26 | 996 302 163 51 | shim 90 X 97 X 0,55 | | X | | 26 | 996 302 163 69 | shim 90 X 97 X 1,45 | | X | |
| 26 | 996 302 163 52 | shim 90 X 97 X 0,60 | | X | | 26 | 996 302 163 70 | shim 90 X 97 X 1,50 | | X | |
| 26 | 996 302 163 53 | shim 90 X 97 X 0,65 | | X | | 26 | 996 302 163 71 | shim 90 X 97 X 1,55 | | X | |
| 26 | 996 302 163 54 | shim 90 X 97 X 0,70 | | X | | 26 | 996 302 163 72 | shim 90 X 97 X 1,60 | | X | |
| 26 | 996 302 163 55 | shim 90 X 97 X 0,75 | | X | | 27 | 996 302 151 50 | shim 40 X 50 X 0,40 | | X | |
| 26 | 996 302 163 56 | shim 90 X 97 X 0,80 | | X | | 27 | 996 302 151 51 | shim 40 X 50 X 0,45 | | X | |
| 26 | 996 302 163 57 | shim 90 X 97 X 0,85 | | X | | 27 | 996 302 151 52 | shim 40 X 50 X 0,50 | | X | |
| | | | | | | 27 | 996 302 151 53 | shim 40 X 50 X 0,55 | | X | |

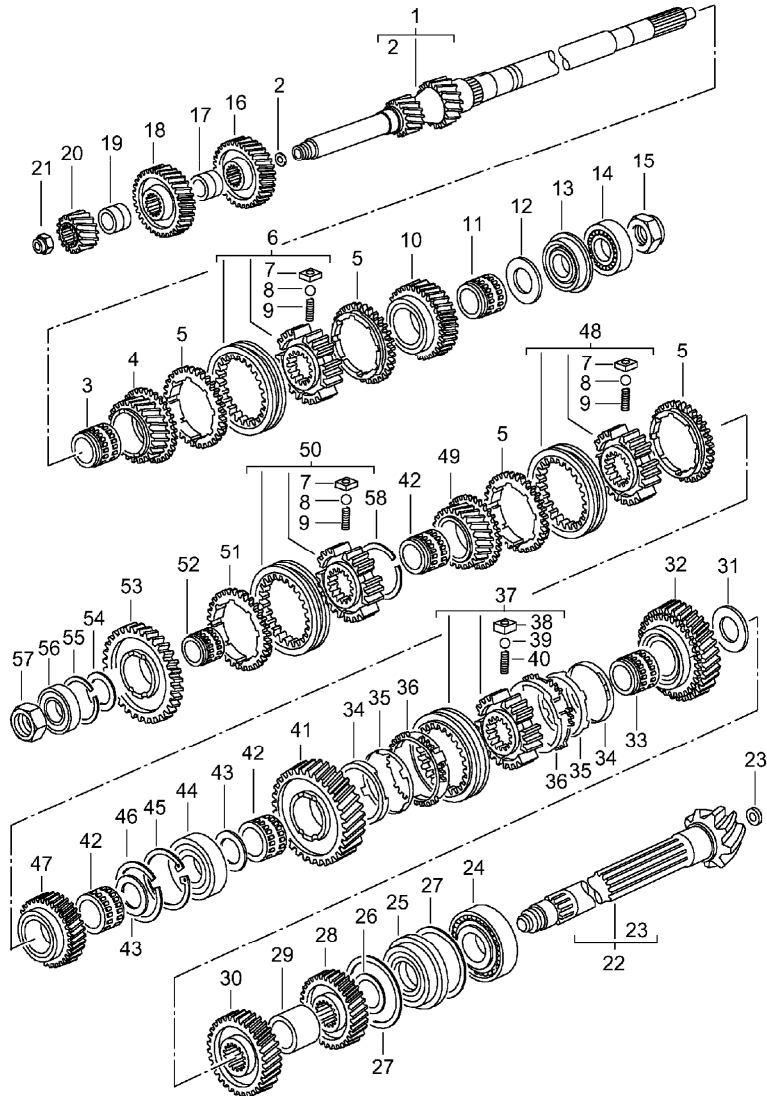
| | | | | | | | | | | | |
|-------|------|----|----|--------------|--------------|-----|-------|------------|---------|-----|---------|
| Model | Year | MG | SG | Illustration | Restrictions | UPD | 14:50 | 24.01.2010 | PORSCHE | PET | PORSCHE |
| 996T | 2005 | 3 | 03 | 303-10 | | 248 | | | | | |

| Pos | Part Number | Description | Remark | Qty | Model | Pos | Part Number | Description | Remark | Qty | Model |
|-----|----------------|-------------------------------------|--------|-----|-------|-----|----------------|--|--------|-----|-------|
| 27 | 996 302 151 54 | shim 40 X 50 X 0,60 | | X | | 37 | 996 304 061 50 | guide sleeve 1st/2nd gear | | 1 | |
| 27 | 996 302 151 55 | shim 40 X 50 X 0,65 | | X | | 38 | 950 304 651 00 | stone | | 3 | |
| 27 | 996 302 151 56 | shim 40 X 50 X 0,70 | | X | | 39 | 900 108 058 00 | ball 5 MM | | 3 | |
| 27 | 996 302 151 57 | shim 40 X 50 X 0,80 | | X | | 40 | 950 304 661 03 | compression spring | | 3 | |
| 27 | 996 302 151 58 | shim 40 X 50 X 0,90 | | X | | | | 1st gear see group 3/03/00 | | | |
| 27 | 996 302 151 59 | shim 40 X 50 X 1,00 | | X | | 42 | 999 201 239 06 | needle-roller bearing 35 X 50 X 32,2 | | 3 | |
| 27 | 996 302 151 60 | shim 40 X 50 X 1,10 | | X | | 43 | 950 302 295 07 | thrust washer 1st gear and 6th gear | | 2 | |
| 27 | 996 302 151 61 | shim 40 X 50 X 1,20 | | X | | 44 | 999 110 109 01 | cylindrical-roller bearing 35 X 80 X 18 | | 1 | |
| 27 | 996 302 151 62 | shim 40 X 50 X 1,30 | | X | | 45 | 999 152 106 00 | circlip | | 1 | |
| 27 | 996 302 151 63 | shim 40 X 50 X 0,75 | | X | | 46 | N 100 709 01 | circlip SP 80 | | 1 | |
| | | 4th speed see group 3/03/00 | | | | | | 6th gear see group 3/03/00 | | | |
| 29 | 950 302 267 02 | spacer sleeve | | 1 | | 48 | 950 304 021 23 | guide sleeve 5th gear and 6th gear | | 1 | |
| | | 3rd gear see group 3/03/00 | | | | | | 5th gear see group 3/03/00 | | | |
| 31 | 950 302 292 00 | thrust washer 2nd gear | | 1 | | 50 | 996 304 021 50 | guide sleeve reverse gear | | 1 | |
| | | 2nd gear see group 3/03/00 | | | | 51 | 928 304 211 24 | synchroniser ring reverse gear | | 1 | |
| 33 | 999 201 225 04 | needle-roller bearing 39,68 X 50 | | 1 | | 52 | 999 201 253 00 | needle cage 32 X 45 X 27,2 | | 1 | |
| 34 | 950 304 617 20 | ring | | 2 | | | | reverse gear see group 3/03/00 | | | |
| 35 | 996 304 613 20 | cone ring | | 2 | | | | | | | |
| 36 | 950 304 611 20 | synchroniser ring | | 2 | | | | | | | |

| | | | | | | | | | | | |
|-------|------|----|----|--------------|--------------|-----|-------|------------|---------|-----|---------|
| Model | Year | MG | SG | Illustration | Restrictions | UPD | 14:50 | 24.01.2010 | PORSCHE | PET | PORSCHE |
| 996T | 2005 | 3 | 03 | 303-10 | | 248 | | | | | |

| Pos | Part Number | Description | Remark | Qty | Model | Pos | Part Number | Description | Remark | Qty | Model |
|-----|----------------|--|--------|-----|-------|-----|-------------|-------------|--------|-----|-------|
| 54 | 950 302 296 07 | thrust washer reverse gear | | 1 | | | | | | | |
| 55 | 999 152 024 01 | circlip 62 X 1,50 | | 1 | | | | | | | |
| 56 | 999 110 192 00 | cylindrical-roller bearing 30 X 62 X 16 | | 1 | | | | | | | |
| 57 | 999 034 034 00 | hexagon nut M 30 X 1,25 | | 1 | | | | | | | |
| 58 | 999 152 111 00 | circlip 78 X 1,50 | | 1 | | | | | | | |

| | | | | | | | | | | | |
|-------|------|----|----|--------------|--------------|-----|-------|------------|---------|-----|---------|
| Model | Year | MG | SG | Illustration | Restrictions | UPD | 14:50 | 24.01.2010 | PORSCHE | PET | PORSCHE |
| 996T | 2005 | 3 | 03 | 303-11 | | 248 | | | | | |



| Pos | Part Number | Description | Remark | Qty | Model |
|-----|----------------|---|--------|-----|--------|
| | | gears and shafts | | | G96.88 |
| | | gear wheel sets see group 3/03/01 | | | |
| 1 | - | drive shaft | | 1 | |
| 2 | 964 302 335 02 | washer 7 MM | | 1 | |
| 3 | 999 201 442 00 | needle-roller bearing 42 X 47 X 32 | | 1 | |
| | | 3rd gear see group 3/03/01 | | | |
| 5 | 928 304 211 23 | synchroniser ring | | 4 | |
| 6 | 996 304 021 51 | guide sleeve 3rd/4th gear | | 1 | |
| 7 | 928 304 251 00 | stone | | 9 | |
| 8 | N 025 653 2 | ball 6,5 MM | | 9 | |
| 9 | 928 304 261 01 | compression spring | | 9 | |
| 10 | - | loose gear wheel 4th speed see group 3/03/01 | | 1 | |
| 11 | 999 201 437 06 | needle-roller bearing 35 X 47 X 32,2 | | 1 | |
| 12 | 996 302 294 50 | thrust washer 4th speed | | 1 | |
| 13 | 999 052 094 00 | four-point bearing 30 X 62 X 16 | | 1 | |
| 14 | 999 110 117 01 | cylindrical-roller bearing 30 X 62 X 20 | | 1 | |
| 15 | 999 034 033 00 | hexagon nut M 30 X 1,5 | | 1 | |
| 16 | - | fixed gear wheel 6th gear see group 3/03/01 | | 1 | |

| | | | | | | | | | | | |
|-------|------|----|----|--------------|--------------|-----|-------|------------|---------|-----|---------|
| Model | Year | MG | SG | Illustration | Restrictions | UPD | 14:50 | 24.01.2010 | PORSCHE | PET | PORSCHE |
| 996T | 2005 | 3 | 03 | 303-11 | | 248 | | | | | |

| Pos | Part Number | Description | Remark | Qty | Model | Pos | Part Number | Description | Remark | Qty | Model |
|-----|----------------|--|--------|-----|-------|-----|----------------|------------------------|--------|-----|-------|
| 17 | 950 302 268 12 | spacer sleeve 5th gear and 6th gear | | 1 | | 26 | 996 302 163 58 | shim 90 X 97 X 0,90 | | X | |
| 18 | - | fixed gear wheel 5th gear see group 3/03/01 | | | | 26 | 996 302 163 59 | shim 90 X 97 X 0,95 | | X | |
| 19 | 950 302 270 02 | spacer sleeve | | 1 | | 26 | 996 302 163 60 | shim 90 X 97 X 1,00 | | X | |
| 20 | - | fixed gear wheel reverse gear see group 3/03/01 | | 1 | | 26 | 996 302 163 61 | shim 90 X 97 X 1,05 | | X | |
| 21 | 999 034 035 00 | lock nut M 22 X 1,5 | | 1 | | 26 | 996 302 163 62 | shim 90 X 97 X 1,10 | | X | |
| 22 | - | pinion shaft see group 3/03/01 | | 1 | | 26 | 996 302 163 63 | shim 90 X 97 X 1,15 | | X | |
| 23 | 964 302 335 01 | washer 14,5 | | 1 | | 26 | 996 302 163 64 | shim 90 X 97 X 1,20 | | X | |
| 24 | 999 110 119 01 | cylindrical-roller bearing 40 X 90 X 23 | | 1 | | 26 | 996 302 163 65 | shim 90 X 97 X 1,25 | | X | |
| 25 | 999 052 164 00 | angular-contact bearing 40 X 82 X 18 | | 1 | | 26 | 996 302 163 66 | shim 90 X 97 X 1,30 | | X | |
| 26 | 996 302 163 50 | shim 90 X 97 X 0,50 | | X | | 26 | 996 302 163 67 | shim 90 X 97 X 1,35 | | X | |
| 26 | 996 302 163 51 | shim 90 X 97 X 0,55 | | X | | 26 | 996 302 163 68 | shim 90 X 97 X 1,40 | | X | |
| 26 | 996 302 163 52 | shim 90 X 97 X 0,60 | | X | | 26 | 996 302 163 69 | shim 90 X 97 X 1,45 | | X | |
| 26 | 996 302 163 53 | shim 90 X 97 X 0,65 | | X | | 26 | 996 302 163 70 | shim 90 X 97 X 1,50 | | X | |
| 26 | 996 302 163 54 | shim 90 X 97 X 0,70 | | X | | 26 | 996 302 163 71 | shim 90 X 97 X 1,55 | | X | |
| 26 | 996 302 163 55 | shim 90 X 97 X 0,75 | | X | | 26 | 996 302 163 72 | shim 90 X 97 X 1,60 | | X | |
| 26 | 996 302 163 56 | shim 90 X 97 X 0,80 | | X | | 27 | 996 302 151 50 | shim 40 X 50 X 0,40 | | X | |
| 26 | 996 302 163 57 | shim 90 X 97 X 0,85 | | X | | 27 | 996 302 151 51 | shim 40 X 50 X 0,45 | | X | |
| | | | | | | 27 | 996 302 151 52 | shim 40 X 50 X 0,50 | | X | |
| | | | | | | 27 | 996 302 151 53 | shim 40 X 50 X 0,55 | | X | |

| | | | | | | | | | | | |
|-------|------|----|----|--------------|--------------|-----|-------|------------|---------|-----|---------|
| Model | Year | MG | SG | Illustration | Restrictions | UPD | 14:50 | 24.01.2010 | PORSCHE | PET | PORSCHE |
| 996T | 2005 | 3 | 03 | 303-11 | | 248 | | | | | |

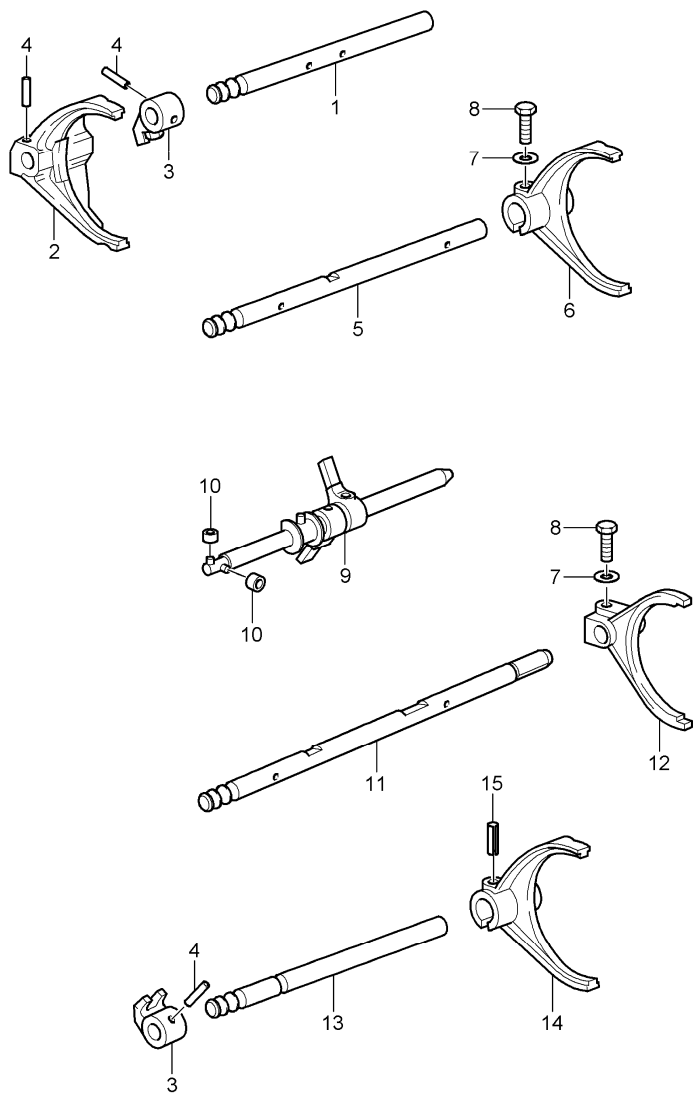
| Pos | Part Number | Description | Remark | Qty | Model | Pos | Part Number | Description | Remark | Qty | Model |
|------|----------------|---------------------------------------|--------|-----|-------|-----|----------------|--|--------|-----|-------|
| 27 | 996 302 151 54 | shim 40 X 50 X 0,60 | | X | | 37 | 996 304 061 50 | guide sleeve 1st/2nd gear | | 1 | |
| 27 | 996 302 151 55 | shim 40 X 50 X 0,65 | | X | | 38 | 950 304 651 00 | stone | | 3 | |
| 27 | 996 302 151 56 | shim 40 X 50 X 0,70 | | X | | 39 | 900 108 058 00 | ball 5 MM | | 3 | |
| 27 | 996 302 151 57 | shim 40 X 50 X 0,80 | | X | | 40 | 950 304 661 03 | compression spring | | 3 | |
| 27 | 996 302 151 58 | shim 40 X 50 X 0,90 | | X | | | | 1st gear see group 3/03/01 | | | |
| 27 | 996 302 151 59 | shim 40 X 50 X 1,00 | | X | | 42 | 999 201 239 06 | needle-roller bearing 35 X 50 X 32,2 | | 3 | |
| 27 | 996 302 151 60 | shim 40 X 50 X 1,10 | | X | | 43 | 950 302 295 07 | thrust washer 1st gear and 6th gear | | 2 | |
| 27 | 996 302 151 61 | shim 40 X 50 X 1,20 | | X | | 44 | 999 110 109 01 | cylindrical-roller bearing 35 X 80 X 18 | | 1 | |
| 27 | 996 302 151 62 | shim 40 X 50 X 1,30 | | X | | 45 | 999 152 106 00 | circlip | | 1 | |
| 27 | 996 302 151 63 | shim 40 X 50 X 0,75 | | X | | 46 | N 100 709 01 | circlip SP 80 | | 1 | |
| | | 4th speed see group 3/03/01 | | | | | | 6th gear see group 3/03/01 | | | |
| (29) | 964 307 331 01 | drive wheel oil pump | | 1 | | 48 | 950 304 021 23 | guide sleeve 5th gear and 6th gear | | 1 | |
| | | 3rd gear see group 3/03/01 | | | | | | 5th gear see group 3/03/01 | | | |
| 31 | 950 302 292 00 | thrust washer 2nd gear | | 1 | | 50 | 996 304 021 50 | guide sleeve reverse gear | | 1 | |
| | | 2nd gear see group 3/03/01 | | | | 51 | 928 304 211 24 | synchroniser ring reverse gear | | 1 | |
| 33 | 999 201 471 02 | needle-roller bearing 45 X 50 X 32 | | 1 | | 52 | 999 201 253 00 | needle-roller bearing 32 X 45 X 27,2 | | 1 | |
| 34 | 950 304 617 20 | ring | | 2 | | | | reverse gear see group 3/03/01 | | | |
| 35 | 996 304 613 20 | cone ring | | 2 | | | | | | | |
| 36 | 950 304 611 20 | synchroniser ring | | 2 | | | | | | | |

| | | | | | | | | | | | |
|-------|------|----|----|--------------|--------------|-----|-------|------------|---------|-----|---------|
| Model | Year | MG | SG | Illustration | Restrictions | UPD | 14:50 | 24.01.2010 | PORSCHE | PET | PORSCHE |
| 996T | 2005 | 3 | 03 | 303-11 | | 248 | | | | | |

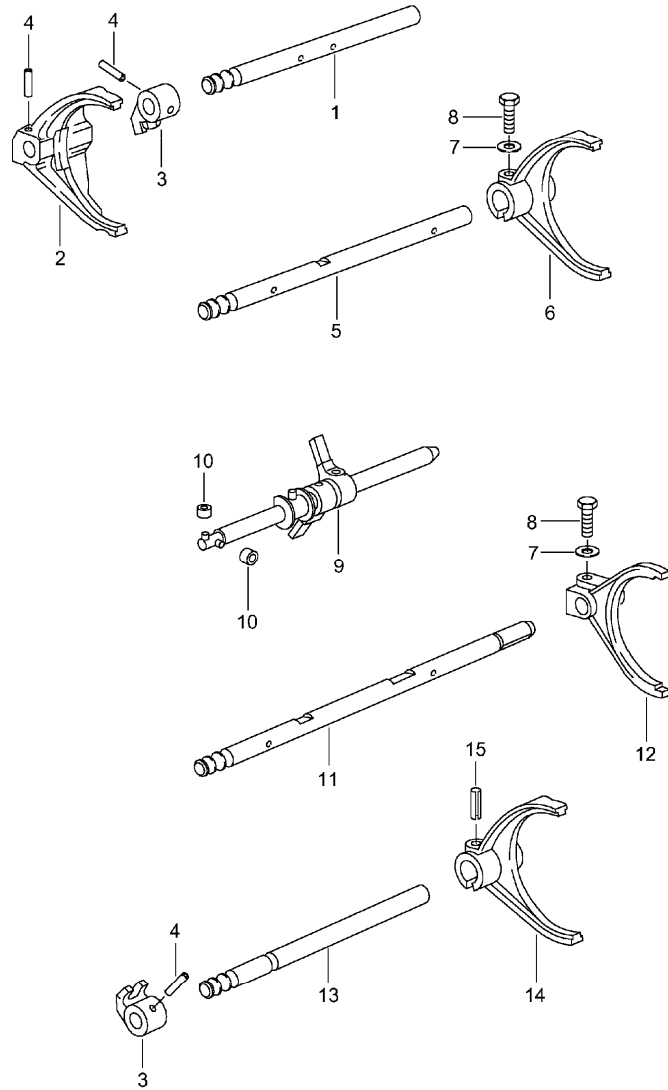
| Pos | Part Number | Description | Remark | Qty | Model | Pos | Part Number | Description | Remark | Qty | Model |
|-----|----------------|--|--------|-----|-------|-----|-------------|-------------|--------|-----|-------|
| 54 | 950 302 296 07 | thrust washer reverse gear | | 1 | | | | | | | |
| 55 | 999 152 024 01 | circlip 62 X 1,50 | | 1 | | | | | | | |
| 56 | 999 110 192 00 | cylindrical-roller bearing 30 X 62 X 16 | | 1 | | | | | | | |
| 57 | 999 034 034 00 | hexagon nut M 30 X 1,25 | | 1 | | | | | | | |
| 58 | 999 152 111 00 | circlip 78 X 1,50 | | 1 | | | | | | | |

| | | | | | | | | | | | |
|-------|------|----|----|--------------|--------------|-----|-------|------------|---------|-----|---------|
| Model | Year | MG | SG | Illustration | Restrictions | UPD | 14:50 | 24.01.2010 | PORSCHE | PET | PORSCHE |
| 996T | 2005 | 3 | 04 | 304-00 | | 248 | | | | | |

| Pos | Part Number | Description | Remark | Qty | Model |
|-----|----------------|---|--------|-----|--------|
| | | gear shift rod | | | G96.50 |
| | | shift fork | | | |
| | | shift rod | | | |
| 1 | 996 303 103 52 | gear shift rod 3rd/4th gear | | 1 | |
| 2 | 996 303 113 51 | shift fork 3rd/4th gear | | 1 | |
| 3 | 996 303 121 50 | driver | | 2 | |
| 4 | 900 309 008 00 | roll pin 6 X 24 | | 3 | |
| 5 | 996 303 106 51 | gear shift rod 5th gear and 6th gear | | 1 | |
| 6 | 996 303 116 50 | shift fork 5th gear and 6th gear | | 1 | |
| 7 | 900 025 007 02 | washer A 8,4 | | 2 | |
| 8 | 900 075 099 02 | hexagon-head bolt M 8 X 30 | | 2 | |
| 9 | 996 303 021 52 | shift rod | | 1 | |
| 10 | 996 303 403 00 | roller 10 X 5 X 3 | | 4 | |
| 11 | 996 303 105 52 | gear shift rod reverse gear | | 1 | |
| 12 | 996 303 115 50 | shift fork reverse gear | | 1 | |
| 13 | 996 303 101 51 | gear shift rod 1st/2nd gear | | 1 | |
| 14 | 996 303 111 51 | shift fork 1st/2nd gear | | 1 | |
| 15 | 900 095 017 01 | roll pin 5,0 X 24 | | 2 | |

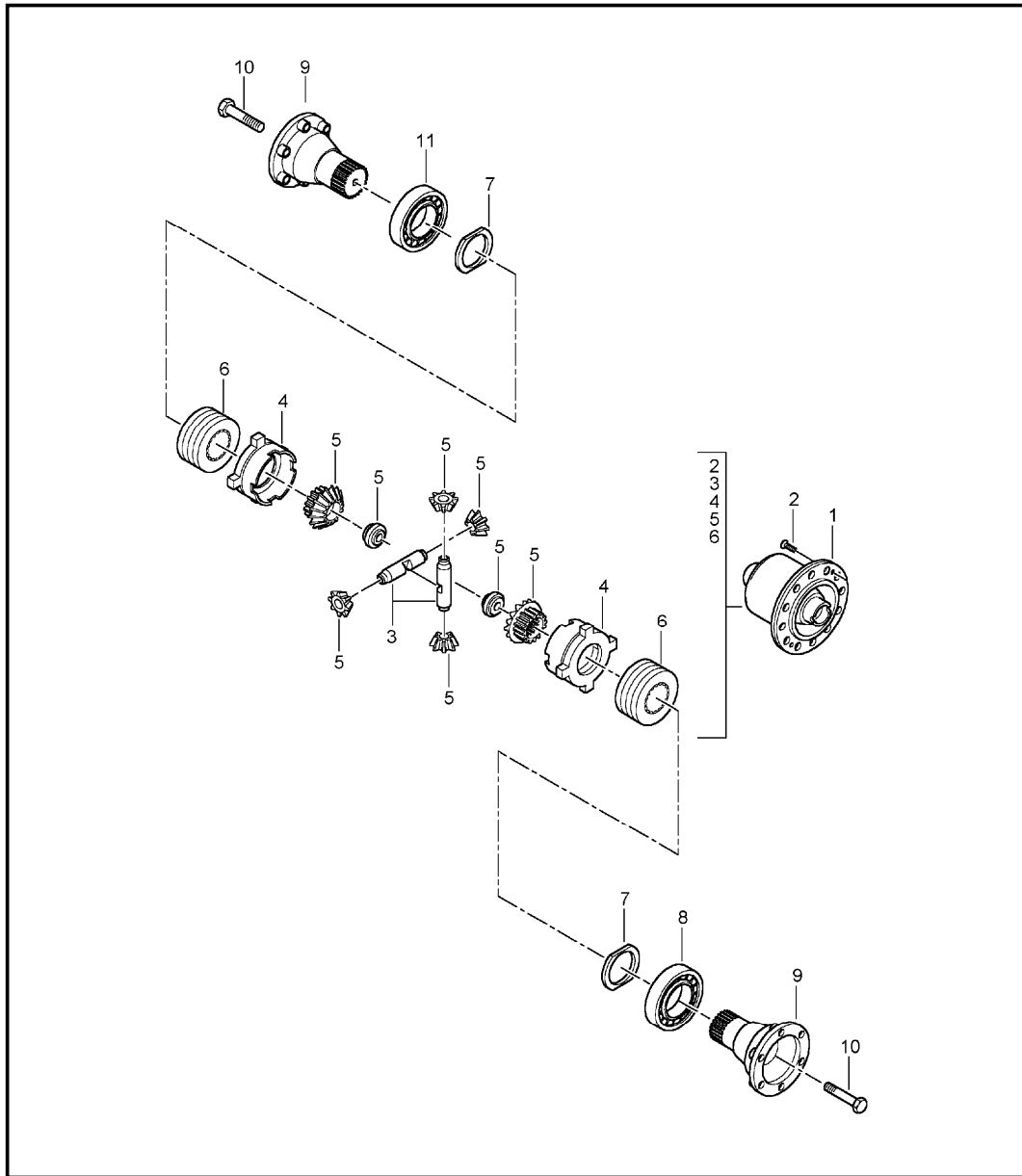


| | | | | | | | | | | | |
|-------|------|----|----|--------------|--------------|-----|-------|------------|---------|-----|---------|
| Model | Year | MG | SG | Illustration | Restrictions | UPD | 14:51 | 24.01.2010 | PORSCHE | PET | PORSCHE |
| 996T | 2005 | 3 | 04 | 304-01 | | 248 | | | | | |



| Pos | Part Number | Description | Remark | Qty | Model |
|-----|----------------|---|--------|-----|--------|
| | | gear shift rod | | | G96.88 |
| | | shift fork | | | |
| | | shift rod | | | |
| 1 | 996 303 103 52 | gear shift rod 3rd/4th gear | | 1 | |
| 2 | 996 303 113 88 | shift fork 3rd/4th gear | | 1 | |
| 3 | 996 303 121 50 | driver | | 2 | |
| 4 | 996 303 301 00 | spiral clamping pin | | 3 | |
| 5 | 996 303 106 51 | gear shift rod 5th gear and 6th gear | | 1 | |
| 6 | 996 303 116 50 | shift fork 5th gear and 6th gear | | 1 | |
| 7 | 900 025 007 02 | washer A 8,4 | | 2 | |
| 8 | 900 075 099 02 | hexagon-head bolt M 8 X 30 | | 2 | |
| 9 | 996 303 021 52 | shift rod | | 1 | |
| 10 | 996 303 403 00 | roller 10 X 5 X 3 | | 4 | |
| 11 | 996 303 105 52 | gear shift rod reverse gear | | 1 | |
| 12 | 996 303 115 50 | shift fork reverse gear | | 1 | |
| 13 | 996 303 101 51 | gear shift rod 1st/2nd gear | | 1 | |
| 14 | 996 303 111 51 | shift fork 1st/2nd gear | | 1 | |
| 15 | 900 095 017 01 | roll pin 5,0 X 24 | | 2 | |

| | | | | | | | | | | | |
|-------|------|----|----|--------------|--------------|-----|-------|------------|---------|-----|---------|
| Model | Year | MG | SG | Illustration | Restrictions | UPD | 14:51 | 24.01.2010 | PORSCHE | PET | PORSCHE |
| 996T | 2005 | 3 | 05 | 305-05 | | 248 | | | | | |

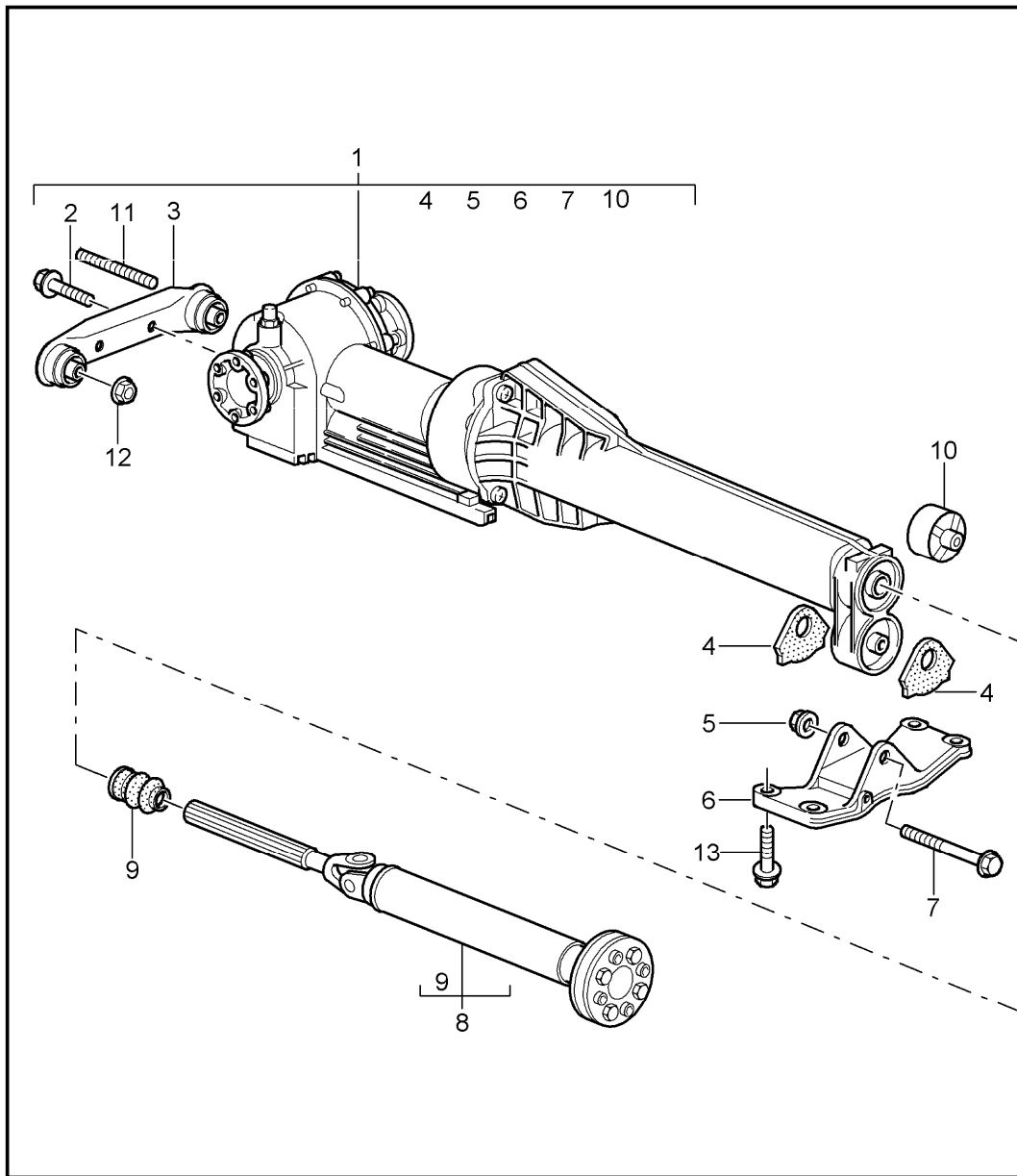


| Pos | Part Number | Description | Remark | Qty | Model |
|-----|----------------|--|--------|-----|--------|
| | | limited-slip differential complete and repair kits | | | G96.88 |
| 1 | 996 332 083 9B | limited-slip differential 40/65 % FA. GKN | | 1 | |
| 2 | 950 332 983 03 | countersunk-head screw set FA.GKN | | 1 | |
| (2) | 999 217 152 01 | hexagon-head bolt M 12 X 1,5 X 22,5 | | 12 | |
| 3 | 950 332 983 06 | axle set FA.GKN | | 1 | |
| 4 | 950 332 983 05 | ring set FA.GKN | | 1 | |
| 5 | 950 332 983 02 | gear set FA.GKN | | 1 | |
| 6 | 950 332 983 36 | vanes FA.GKN | | 1 | |
| 7 | 996 332 266 50 | adjusting ring 50,4 X 65 X 1,50 | | X | |
| 7 | 996 332 266 51 | adjusting ring 50,4 X 65 X 1,55 | | X | |
| 7 | 996 332 266 52 | adjusting ring 50,4 X 65 X 1,60 | | X | |
| 7 | 996 332 266 53 | adjusting ring 50,4 X 65 X 1,65 | | X | |
| 7 | 996 332 266 54 | adjusting ring 50,4 X 65 X 1,70 | | X | |
| 7 | 996 332 266 55 | adjusting ring 50,4 X 65 X 1,75 | | X | |
| 7 | 996 332 266 56 | adjusting ring 50,4 X 65 X 1,80 | | X | |
| 7 | 996 332 266 57 | adjusting ring 50,4 X 65 X 1,85 | | X | |
| 7 | 996 332 266 58 | adjusting ring 50,4 X 65 X 1,90 | | X | |

| | | | | | | | | | | | |
|-------|------|----|----|--------------|--------------|-----|-------|------------|---------|-----|---------|
| Model | Year | MG | SG | Illustration | Restrictions | UPD | 14:51 | 24.01.2010 | PORSCHE | PET | PORSCHE |
| 996T | 2005 | 3 | 05 | 305-05 | | 248 | | | | | |

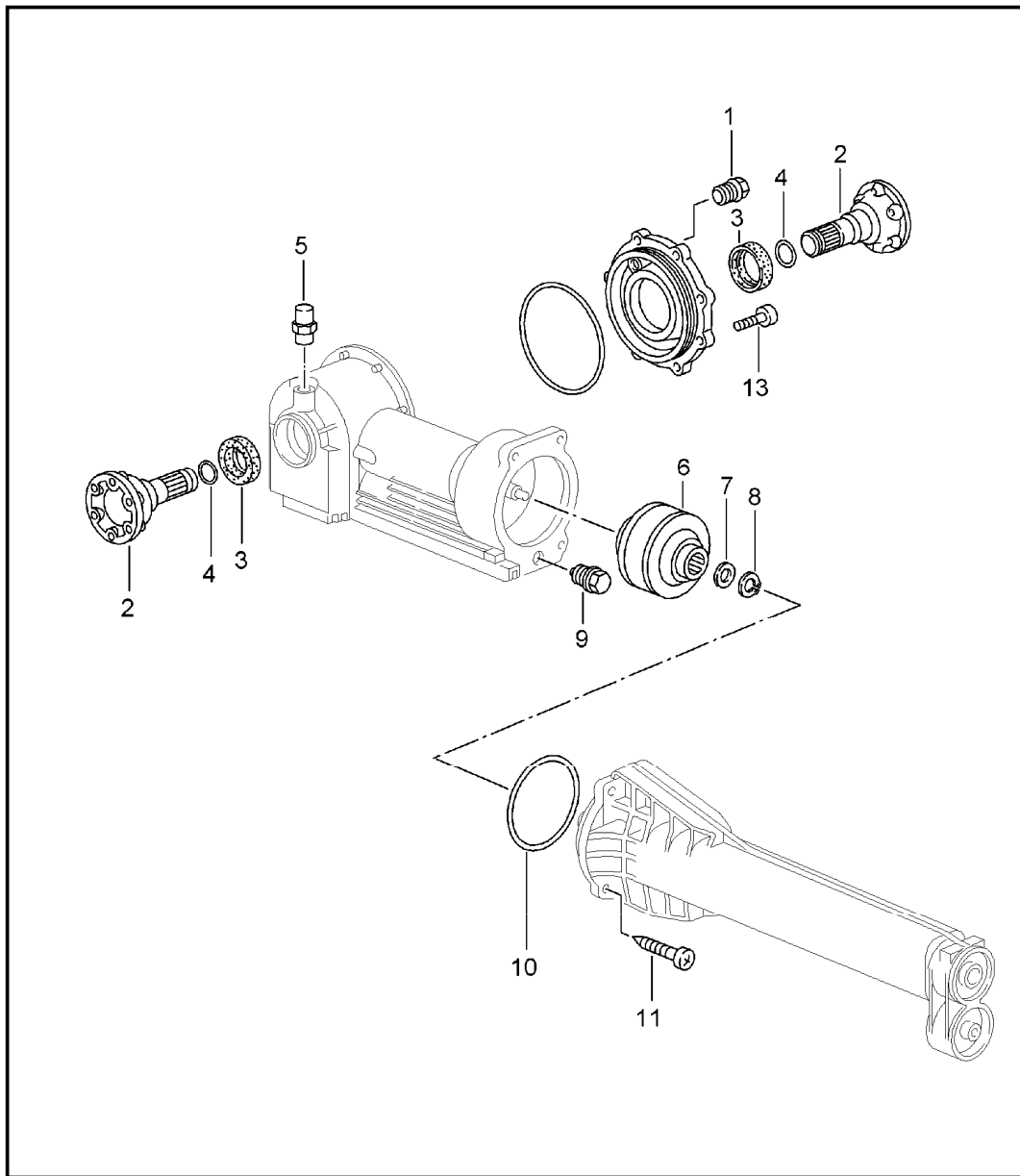
| Pos | Part Number | Description | Remark | Qty | Model | Pos | Part Number | Description | Remark | Qty | Model |
|-----|----------------|------------------------------------|--------|-----|-------|-----|----------------|--------------------------------------|--------|-----|-------|
| 7 | 996 332 266 59 | adjusting ring 50,4 X 65 X 1,95 | | X | | 9 | 950 332 209 01 | joint flange | | 2 | |
| 7 | 996 332 266 60 | adjusting ring 50,4 X 65 X 2,00 | | X | | 10 | N 010 472 4 | hexagon-head bolt M 10 X 85 | | 2 | |
| 7 | 996 332 266 61 | adjusting ring 50,4 X 65 X 2,05 | | X | | 11 | 999 059 066 01 | taper roller bearing 50 X 80 X 20 | | 1 | |
| 7 | 996 332 266 62 | adjusting ring 50,4 X 65 X 2,10 | | X | | | | | | | |
| 7 | 996 332 266 63 | adjusting ring 50,4 X 65 X 2,15 | | X | | | | | | | |
| 7 | 996 332 266 64 | adjusting ring 50,4 X 65 X 2,20 | | X | | | | | | | |
| 7 | 996 332 266 65 | adjusting ring 50,4 X 65 X 2,25 | | X | | | | | | | |
| 7 | 996 332 266 66 | adjusting ring 50,4 X 65 X 2,30 | | X | | | | | | | |
| 7 | 996 332 266 67 | adjusting ring 50,4 X 65 X 2,35 | | X | | | | | | | |
| 7 | 996 332 266 68 | adjusting ring 50,4 X 65 X 2,40 | | X | | | | | | | |
| 7 | 996 332 266 69 | adjusting ring 50,4 X 65 X 2,45 | | X | | | | | | | |
| 7 | 996 332 266 70 | adjusting ring 50,4 X 65 X 2,50 | | X | | | | | | | |
| 7 | 996 332 266 71 | adjusting ring 50,4 X 65 X 2,55 | | X | | | | | | | |
| 7 | 996 332 266 72 | adjusting ring 50,4 X 65 X 2,60 | | X | | | | | | | |
| 7 | 996 332 266 73 | adjusting ring 50,4 X 65 X 2,65 | | X | | | | | | | |
| 7 | 996 332 266 74 | adjusting ring 50,4 X 65 X 2,70 | | X | | | | | | | |
| 7 | 996 332 266 75 | adjusting ring 50,4 X 65 X 2,75 | | X | | | | | | | |
| 7 | 996 332 266 76 | adjusting ring 50,4 X 65 X 2,80 | | X | | | | | | | |
| 8 | 999 059 064 00 | taper roller bearing 50 X 90 | | 1 | | | | | | | |

| | | | | | | | | | | | |
|-------|------|----|----|--------------|--------------|-----|-------|------------|---------|-----|---------|
| Model | Year | MG | SG | Illustration | Restrictions | UPD | 14:51 | 24.01.2010 | PORSCHE | PET | PORSCHE |
| 996T | 2005 | 3 | 05 | 305-10 | | 248 | | | | | |



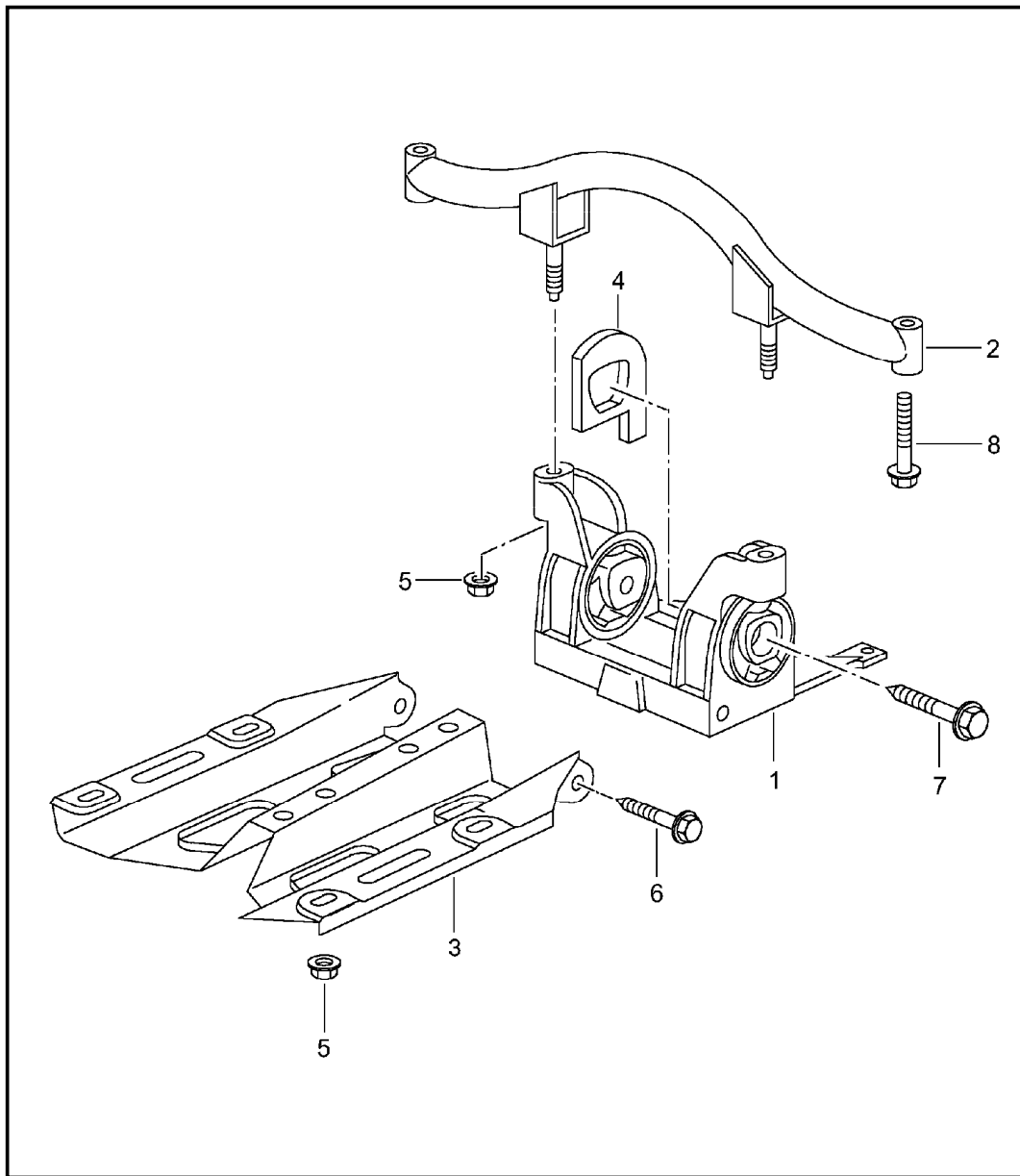
| Pos | Part Number | Description | Remark | Qty | Model |
|-----|------------------|--|--------|-----|--------|
| | | front-axle final drive cardan shaft | | | Z96.00 |
| | | see technical information group 3 NR.3 / 03 | | | |
| 1 | > 996 349 010 02 | front-axle final drive ready for installation | -04 | 1 | |
| (1) | > 996 349 010 03 | front-axle final drive ready for installation | 05- | 1 | |
| 2 | 999 072 034 09 | conical screw M 10 X 28 | | 2 | |
| 3 | 996 375 034 00 | transmission carrier front | | 1 | |
| 4 | 996 375 257 01 | stop | | 2 | |
| 5 | 900 380 008 09 | hexagon nut M 10 | | 1 | |
| 6 | 996 375 343 03 | transmission carrier rear | | 1 | |
| 7 | 900 378 142 09 | hexagon-head bolt M 10 X 90 | | 1 | |
| 8 | A 996 421 020 50 | cardan shaft | | 1 | |
| 8 | 997 421 020 00 | cardan shaft | | 1 | |
| 9 | 996 421 145 01 | boot | | 1 | |
| 10 | 996 375 054 02 | transmission mounting rear | | 1 | |
| 11 | 999 061 105 09 | stud M 10 X 90 | | 2 | |
| 12 | 900 380 008 09 | hexagon nut M 10 mount front-axle final drive cross member | | 2 | |
| 13 | 999 217 144 09 | combination screw M 10 X 48 | | 4 | |

| | | | | | | | | | | | |
|-------|------|----|----|--------------|--------------|-----|-------|------------|---------|-----|---------|
| Model | Year | MG | SG | Illustration | Restrictions | UPD | 14:51 | 24.01.2010 | PORSCHE | PET | PORSCHE |
| 996T | 2005 | 3 | 05 | 305-15 | | 248 | | | | | |



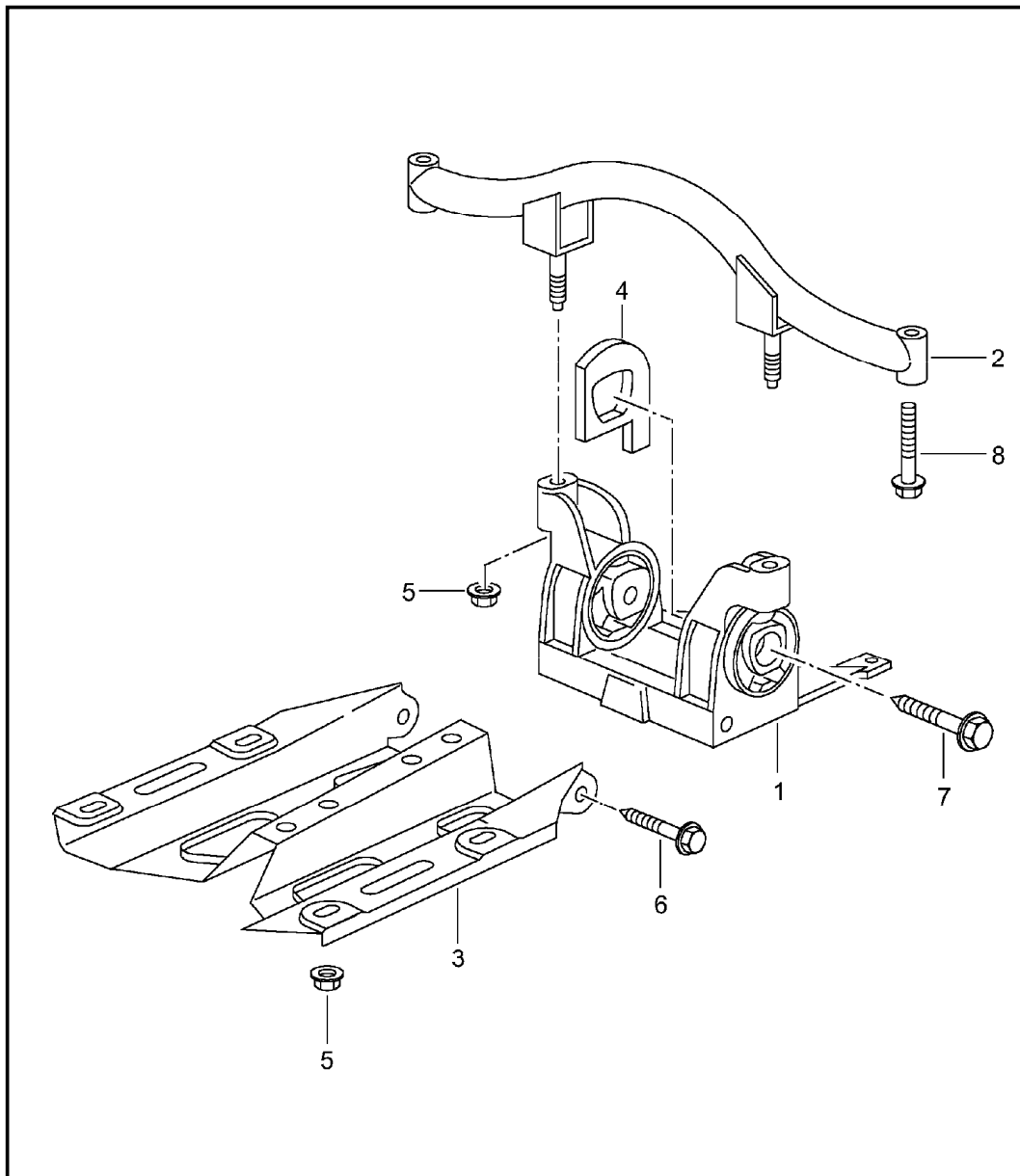
| Pos | Part Number | Description | Remark | Qty | Model |
|------|----------------|---|--------|-----|--------|
| | | front-axle final drive | | | Z96.00 |
| | | viscous clutch single parts | | | |
| 1 | N 016 161 1 | screw plug M 18 X 1,5 | | 1 | |
| 2 | 996 332 309 00 | joint flange | | 2 | |
| 3 | 999 113 454 40 | shaft sealing ring 40 X 60 X 9 | | 2 | |
| 4 | 996 332 311 00 | circlip 2,5 X 20 | | 2 | |
| 5 | 996 301 071 00 | bleeder 17 X 12 | | 1 | |
| 6 | 996 339 021 02 | viscous clutch | | 1 | |
| 7 | 900 234 174 00 | support washer 20 X 28 X 2,0 | | 1 | |
| 8 | 999 041 021 01 | circlip 20 X 1,2 | | 1 | |
| 9 | 900 124 025 02 | screw plug M 18 X 1,5 PM | | 1 | |
| 10 | 999 707 455 40 | o-ring 123 X 3 | | 1 | |
| 11 | N 903 660 01 | torx screw M 8 x 36 for 996.349.010.02 GETRAG 630.0.0130.00 old version | | 4 | |
| (11) | 900 385 141 01 | screw M 8 x 40 for 996.349.010.03 GETRAG 630.0.0173.00 new design | | 4 | |
| -- | 996 337 411 00 | protection cap | | 1 | |
| 12 | --- | o-ring | | 1 | |
| 13 | N 903 660 01 | torx screw M 8 X 36 | | 8 | |

| | | | | | | | | | | | |
|-------|------|----|----|--------------|--------------|-----|-------|------------|---------|-----|---------|
| Model | Year | MG | SG | Illustration | Restrictions | UPD | 14:52 | 24.01.2010 | PORSCHE | PET | PORSCHE |
| 996T | 2005 | 3 | 06 | 306-00 | | 248 | | | | | |



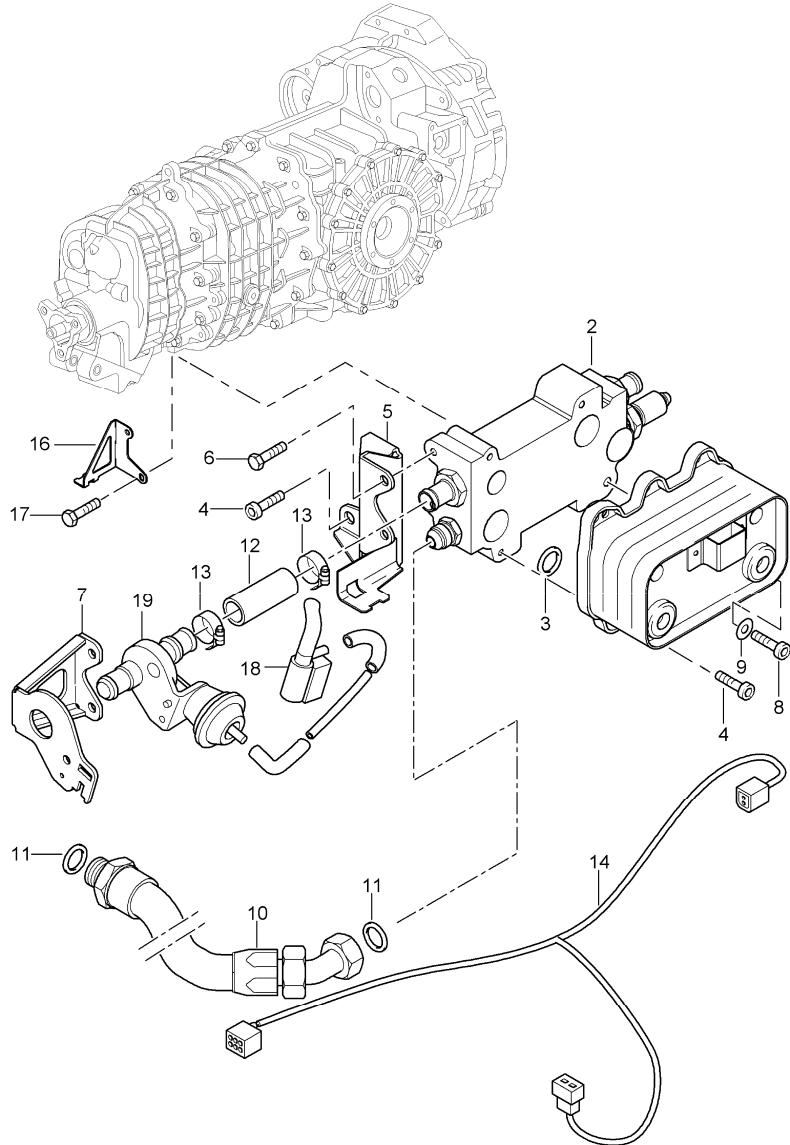
| Pos | Part Number | Description | Remark | Qty | Model |
|------|----------------|---------------------------------------|--------|-----|--------|
| | | transmission suspension | | | G96.50 |
| 1 | 996 375 033 03 | transmission carrier | | 1 | |
| 2 | 996 375 317 06 | bracket upper | | 1 | |
| 3 | 996 375 015 00 | side member | | 1 | |
| 4 | 996 375 259 08 | stop | | 2 | |
| 5 | 900 378 167 09 | hexagon-head bolt M 10 X 110 | | 2 | |
| 5 | 999 061 106 09 | stud M 10 X 83 | | 2 | |
| 6 | 900 380 008 09 | hexagon nut M 10 | | 2 | |
| (6A) | 999 076 053 09 | hexagon nut M 10 | | 6 | |
| 7 | 999 072 010 09 | hexagon-head bolt M 12 X 1,5 X 100 | | 2 | |
| 8 | 999 072 008 09 | hexagon-head bolt M 12 X 1,5 X 70 | | 3 | |
| 9 | 900 378 061 09 | hexagon-head bolt M 12 X 1,5 X 50 | | 1 | |
| 10 | 900 378 076 09 | hexagon-head bolt M 10 X 50 | | 1 | |
| 11 | 900 377 011 09 | hexagon nut M 10 | | 1 | |

| | | | | | | | | | | | |
|-------|------|----|----|--------------|--------------|-----|-------|------------|---------|-----|---------|
| Model | Year | MG | SG | Illustration | Restrictions | UPD | 14:52 | 24.01.2010 | PORSCHE | PET | PORSCHE |
| 996T | 2005 | 3 | 06 | 306-01 | | 248 | | | | | |



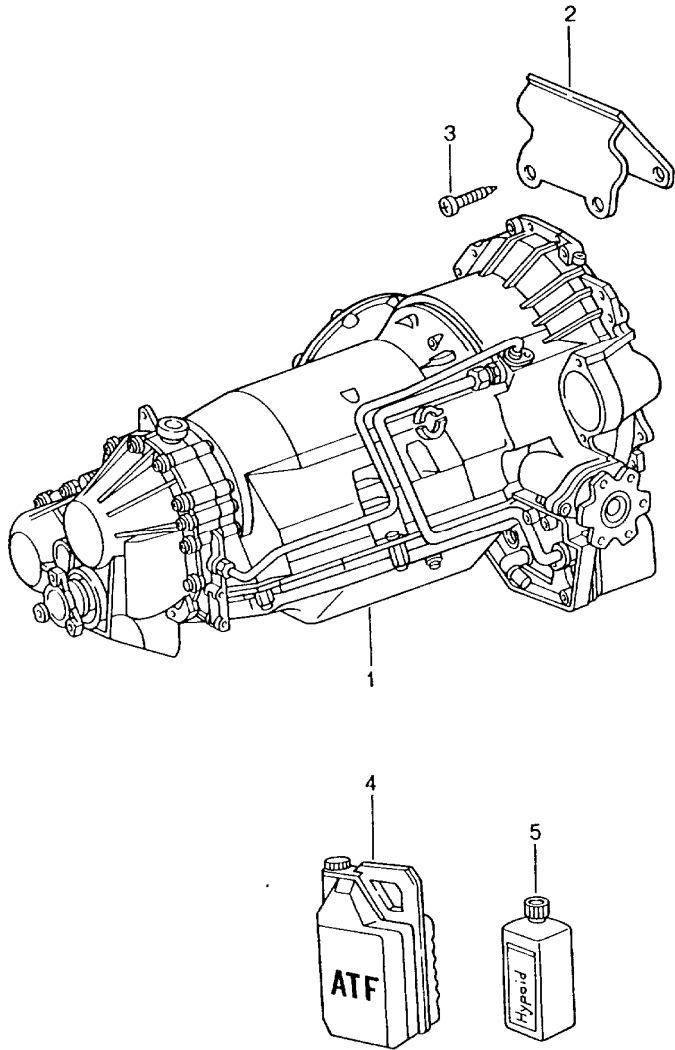
| Pos | Part Number | Description | Remark | Qty | Model |
|------|----------------|------------------------------------|--------|-----|--------|
| | | transmission suspension | | | G96.88 |
| 1 | 996 375 033 03 | transmission carrier | | 1 | |
| 2 | 996 375 317 06 | bracket upper | | 1 | |
| 3 | 996 375 015 00 | side member | | 1 | |
| 4 | 996 375 259 08 | stop | | 2 | |
| 5 | 900 378 167 09 | hexagon-head bolt M 10 X 110 | | 2 | |
| 5 | 999 061 106 09 | stud M 10 X 83 | | 2 | |
| 6 | 900 380 008 09 | hexagon nut M 10 | | 2 | |
| (6A) | 999 076 053 09 | hexagon nut M 10 | | 6 | |
| 7 | 999 072 010 09 | hexagon-head bolt M 12 X 1,5 X 100 | | 2 | |
| 8 | 999 072 008 09 | hexagon-head bolt M 12 X 1,5 X 70 | | 3 | |
| 9 | 900 378 061 09 | hexagon-head bolt M 12 X 1,5 X 50 | | 1 | |
| 10 | 900 378 076 09 | hexagon-head bolt M 10 X 50 | | 1 | |
| 11 | 900 377 011 09 | hexagon nut M 10 | | 1 | |

| | | | | | | | | | | | |
|-------|------|----|----|--------------|--------------|-----|-------|------------|---------|-----|---------|
| Model | Year | MG | SG | Illustration | Restrictions | UPD | 14:52 | 24.01.2010 | PORSCHE | PET | PORSCHE |
| 996T | 2005 | 3 | 07 | 307-00 | | 248 | | | | | |



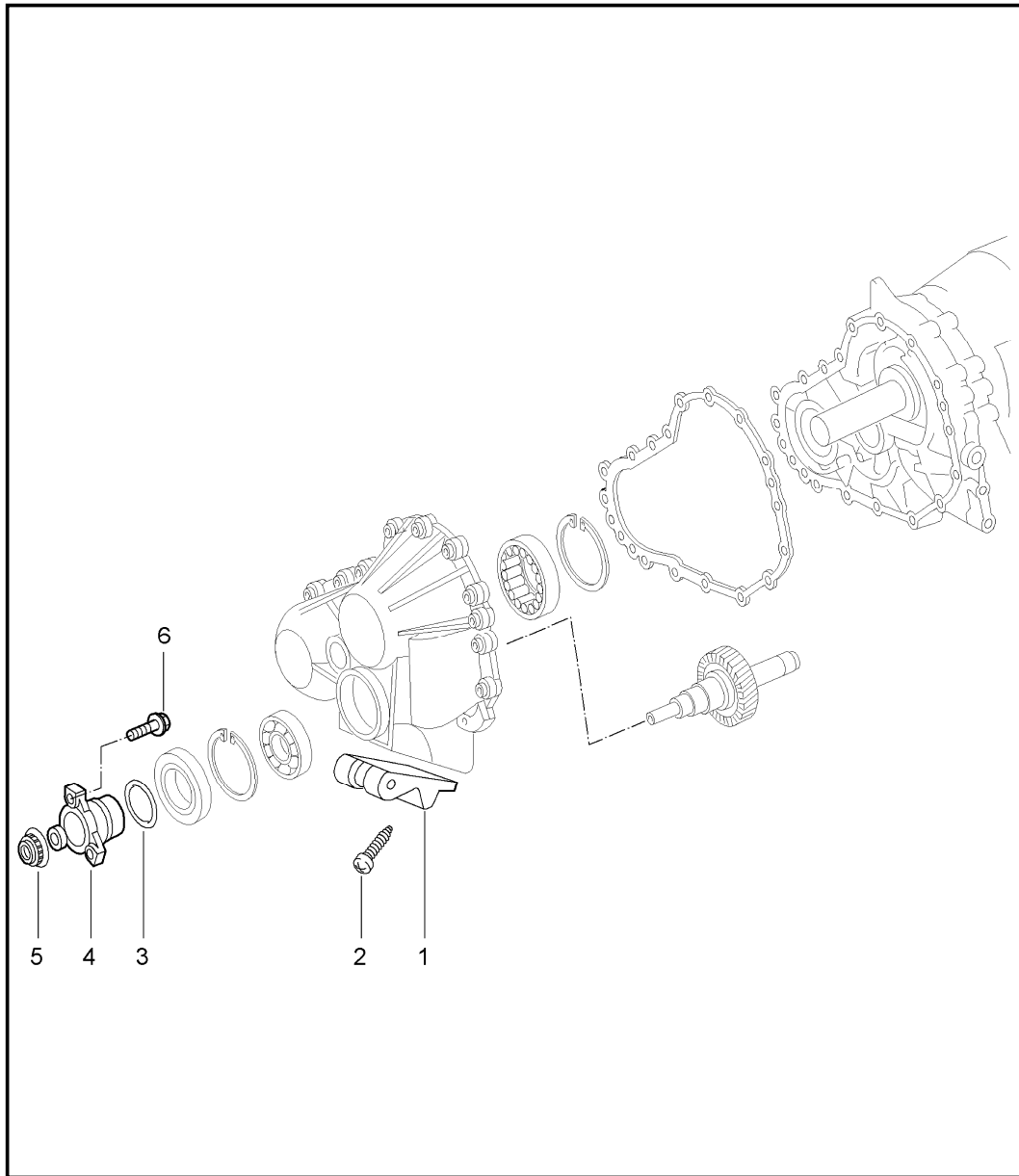
| Pos | Part Number | Description | Remark | Qty | Model |
|-----|------------------|-------------------------------|--------|-----|--------|
| | | transmission oil cooler lines | | | G96.88 |
| 1 | K 996 307 015 8A | transmission oil cooler | | 1 | |
| 2 | K 996 307 020 8A | port plate | | 1 | |
| 3 | 900 331 021 40 | o-ring | | 4 | |
| 4 | 999 073 103 09 | oval-head screw M 6 X 16 | | 5 | |
| 5 | K 996 307 141 88 | support | | 1 | |
| 6 | 900 378 017 09 | hexagon-head bolt M 8 X 20 | | 2 | |
| 7 | K 996 307 145 88 | support | | 1 | |
| 8 | 900 186 030 02 | pan-head screw M 6 X 55 | | 1 | |
| 9 | N 011 524 7 | washer A 6,4 | | 1 | |
| 10 | 996 307 333 88 | oil hose | | 1 | |
| 11 | 900 123 152 30 | sealing ring A 16 X 22 | | 2 | |
| 12 | 900 181 067 50 | water hose B18 X 3,5 X47 | | 1 | |
| 13 | 999 512 552 00 | hose clamp A 20-32 / 9 | | 2 | |
| 14 | 996 612 401 70 | wiring harness | | 1 | |
| 15 | 811 971 848 B | cable terminal | | 3 | |
| 16 | 996 106 536 72 | support | | 1 | |
| 17 | 900 378 074 09 | hexagon-head bolt M 8 X 16 | | 2 | |
| 18 | 996 605 123 01 | change-over valve | | 1 | |
| 19 | 928 574 573 03 | disc valve | | 1 | |
| -- | A 996 307 023 88 | oil pump | | 1 | |
| -- | A 996 307 023 90 | oil pump | | 1 | |
| -- | 997 307 023 90 | oil pump | | 1 | |

| | | | | | | | | | | | |
|-------|------|----|----|--------------|--------------|-----|-------|------------|---------|-----|---------|
| Model | Year | MG | SG | Illustration | Restrictions | UPD | 14:52 | 24.01.2010 | PORSCHE | PET | PORSCHE |
| 996T | 2005 | 3 | 20 | 320-00 | | 248 | | | | | |



| Pos | Part Number | Description | Remark | Qty | Model |
|-----|-----------------|---|--------|-----|--------------------------|
| | | tiptronic | | | A96.50 A96.50 IX50 |
| 1 | > 722 270 070 0 | transmission | | 1 | |
| 2 | 996 449 101 50 | hook | | 1 | |
| 3 | 999 073 190 09 | oval-head screw M 8 X 60 | | 2 | |
| 4 | 000 043 204 63 | transmission oil ATF 20 LTR. container | | X | |
| 5 | 999 917 546 00 | transmission oil 75 W 90 1 LTR. container | | X | |
| - | 210 997 003 2 | screw plug | | 1 | |
| - | 900 123 060 30 | sealing ring 24 x 29 | | 1 | |
| - | 996 116 011 50 | intermediate housing engine and transmission | | 1 | |

| | | | | | | | | | | | |
|-------|------|----|----|--------------|--------------|-----|-------|------------|---------|-----|---------|
| Model | Year | MG | SG | Illustration | Restrictions | UPD | 14:52 | 24.01.2010 | PORSCHE | PET | PORSCHE |
| 996T | 2005 | 3 | 20 | 320-01 | | 248 | | | | | |



| Pos | Part Number | Description | Remark | Qty | Model |
|-----|----------------|---|--------|-----|--------|
| | | tiptronic all-wheel driving mechanism | | | A96.50 |
| 1 | 722 260 006 2 | bearing | | 1 | |
| 2 | 999 073 178 09 | oval-head screw M 8 X 30 | | 4 | |
| 3 | 168 997 004 5 | o-ring 28 X 3 | | 1 | |
| 4 | 722 270 022 0 | flange | | 1 | |
| 5 | 140 990 115 0 | collar nut M 26 X 1,5 | | 1 | |
| 6 | 900 378 101 09 | hexagon-head bolt AM 10 X 35 | | 3 | |
| - | 022 997 944 7 | shaft sealing ring | | 1 | |

PORSCHE

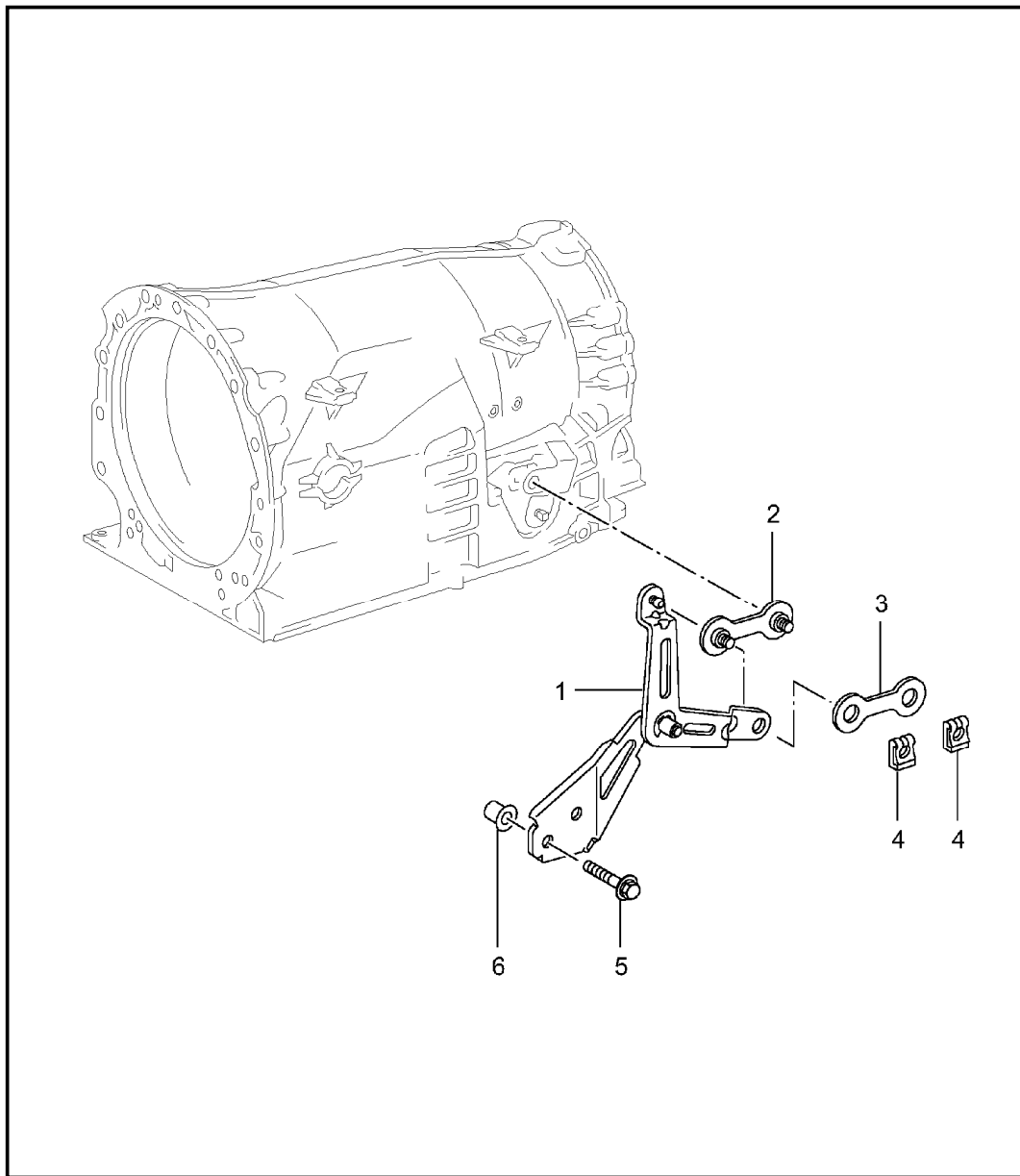
PET

PORSCHE

| | | | | | | | | |
|-------|------|----|----|--------------|--------------|-----|-------|------------|
| Model | Year | MG | SG | Illustration | Restrictions | UPD | 14:53 | 24.01.2010 |
| 996T | 2005 | 3 | 20 | 320-03 | | 248 | | |

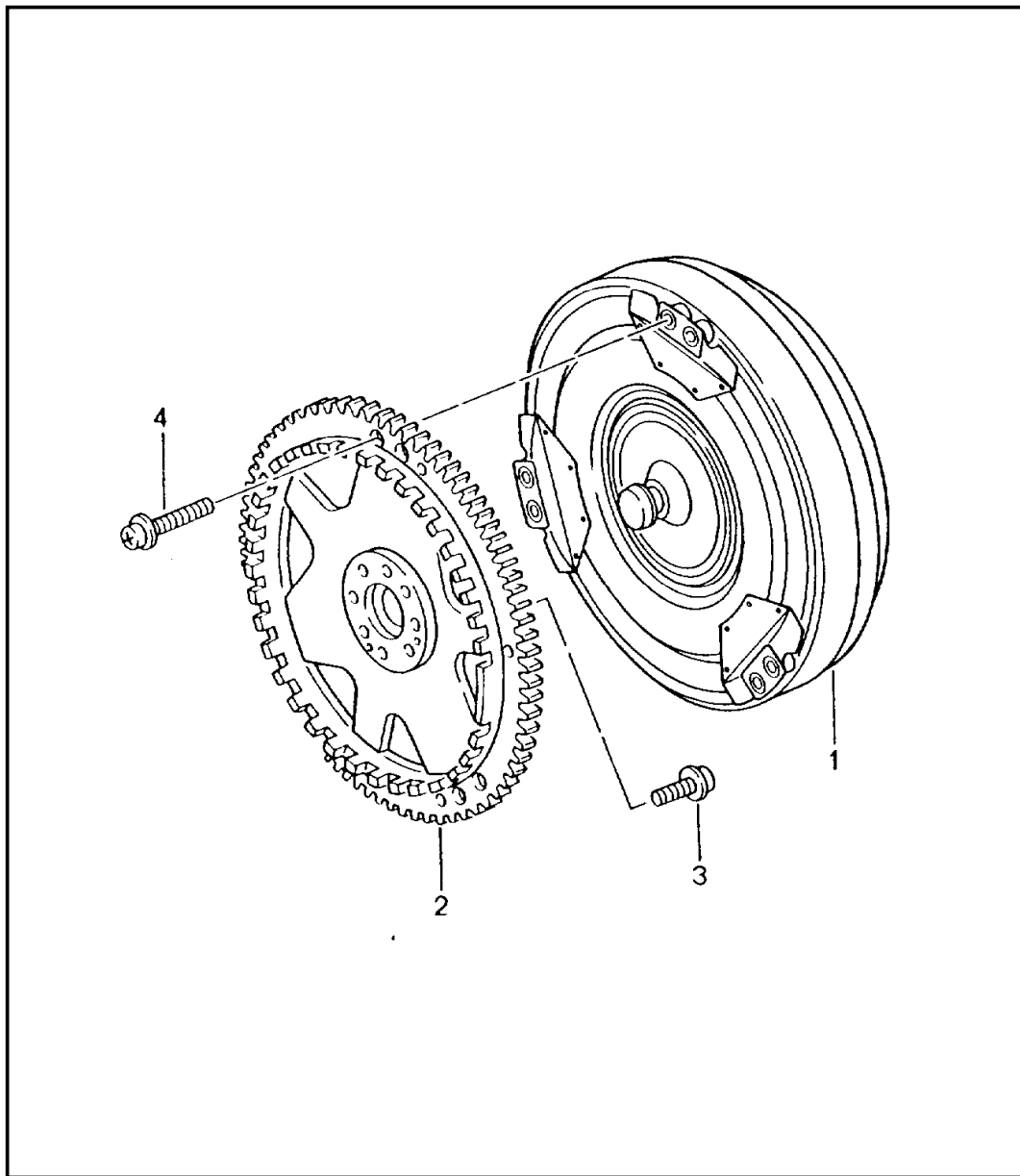
| Pos | Part Number | Description | Remark | Qty | Model |
|-----|----------------|---|--------|-----|--------|
| | | tiptronic differential differential housing | | | A96.50 |
| 1 | 900 074 192 09 | hexagon-head bolt M 10 X 55 | | 1 | |
| 2 | 722 274 024 5 | drive flange | | 1 | |
| 3 | 999 113 484 40 | shaft sealing ring for lid | | 1 | |
| 4 | 722 270 062 0 | flange | | 1 | |

| | | | | | | | | | | | |
|-------|------|----|----|--------------|--------------|-----|-------|------------|---------|-----|---------|
| Model | Year | MG | SG | Illustration | Restrictions | UPD | 14:53 | 24.01.2010 | PORSCHE | PET | PORSCHE |
| 996T | 2005 | 3 | 20 | 320-05 | | 248 | | | | | |



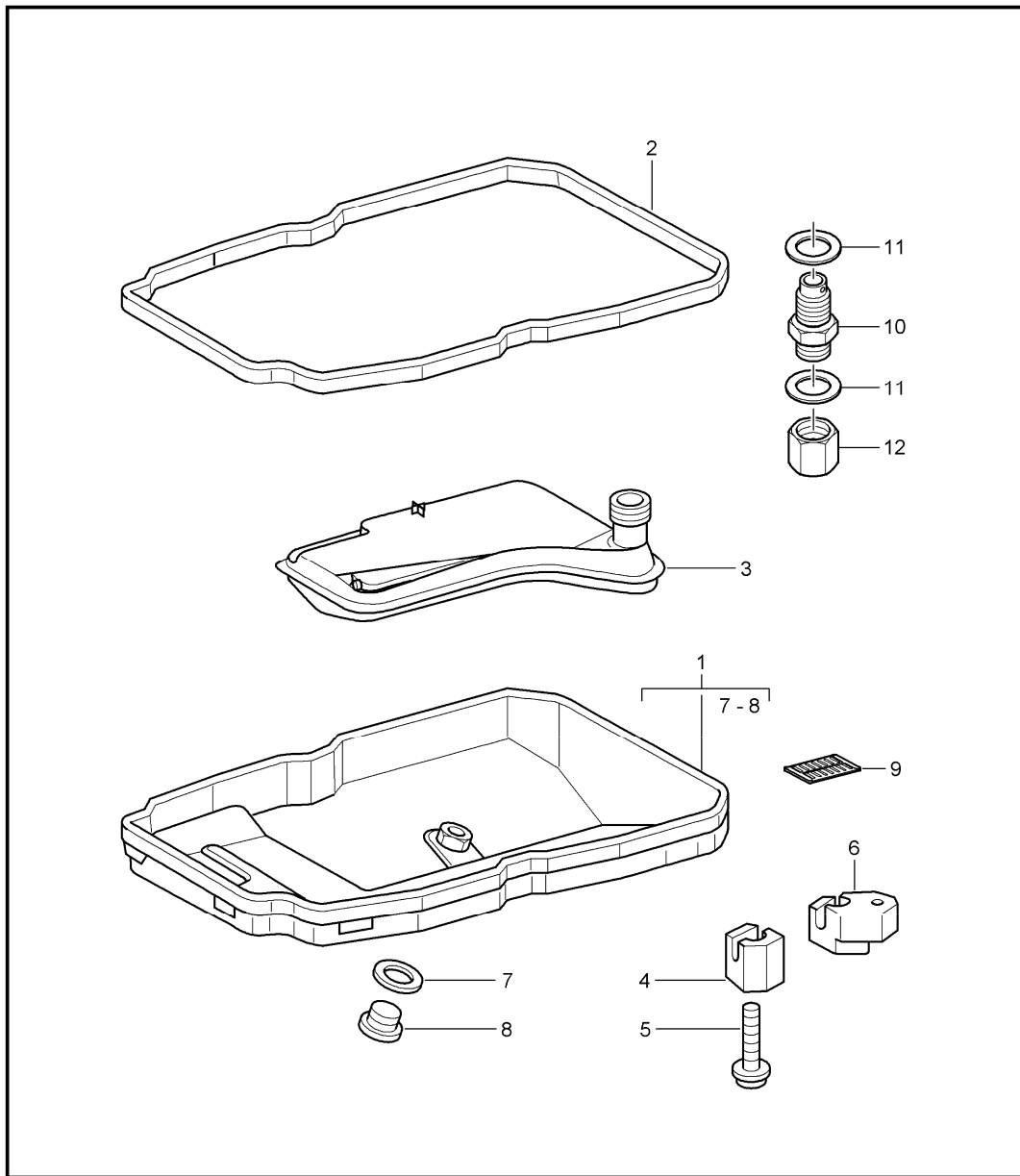
| Pos | Part Number | Description | Remark | Qty | Model |
|-----|----------------|--------------------------------------|--------|-----|--------|
| | | tiptronic selector lever | | | A96.50 |
| 1 | 722 270 011 0 | selector lever | | 1 | |
| 2 | 722 270 025 9 | lever | | 2 | |
| 3 | 722 278 032 0 | lever | | 1 | |
| 4 | 999 166 079 02 | lock washer | | 2 | |
| 5 | 999 073 095 01 | round head screw M 8 X 30 | | 2 | |
| 6 | 722 992 002 0 | sleeve | | 1 | |
| - | 722 278 024 0 | support | | 1 | |
| - | 022 997 224 8 | shaft sealing ring selector lever | | 1 | |

| | | | | | | | | | | | |
|-------|------|----|----|--------------|--------------|-----|-------|------------|---------|-----|---------|
| Model | Year | MG | SG | Illustration | Restrictions | UPD | 14:53 | 24.01.2010 | PORSCHE | PET | PORSCHE |
| 996T | 2005 | 3 | 30 | 330-00 | | 248 | | | | | |



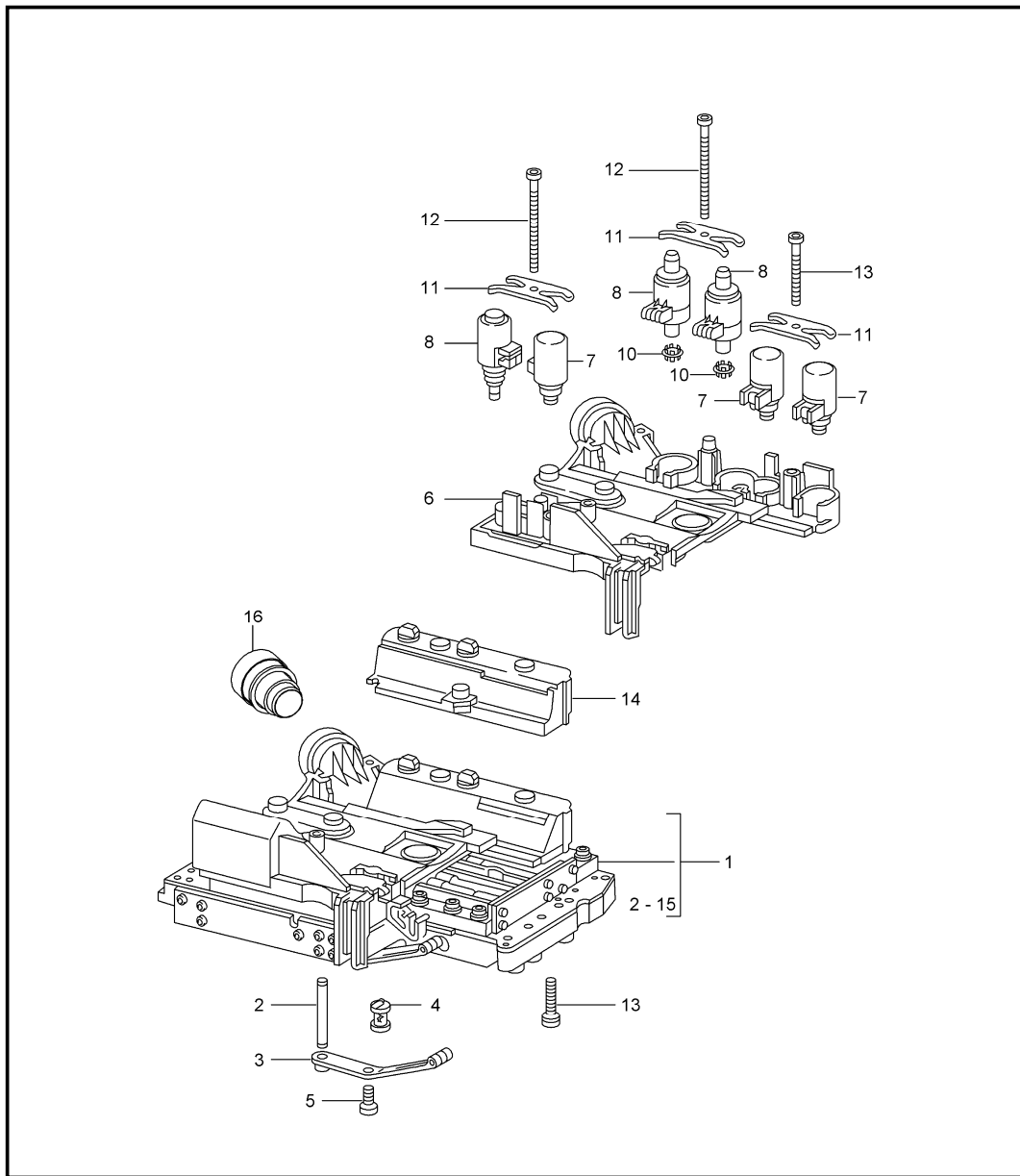
| Pos | Part Number | Description | Remark | Qty | Model |
|-----|----------------|--|--------|-----|--------|
| | | tiptronic torque converter drive plate | | | A96.50 |
| 1 | 722 250 130 2 | torque converter | | 1 | |
| 2 | 996 116 075 50 | drive plate | | 1 | |
| 3 | 999 119 019 01 | pan-head screw M 10 X 1 X 25 X 45 | | 9 | |
| 4 | 900 067 369 09 | pan-head screw M 8 X 20 | | 6 | |
| - | 018 997 044 7 | sealing ring for oil pump | | 1 | |

| | | | | | | | | | | | |
|-------|------|----|----|--------------|--------------|-----|-------|------------|---------|-----|---------|
| Model | Year | MG | SG | Illustration | Restrictions | UPD | 14:53 | 24.01.2010 | PORSCHE | PET | PORSCHE |
| 996T | 2005 | 3 | 40 | 340-01 | | 248 | | | | | |



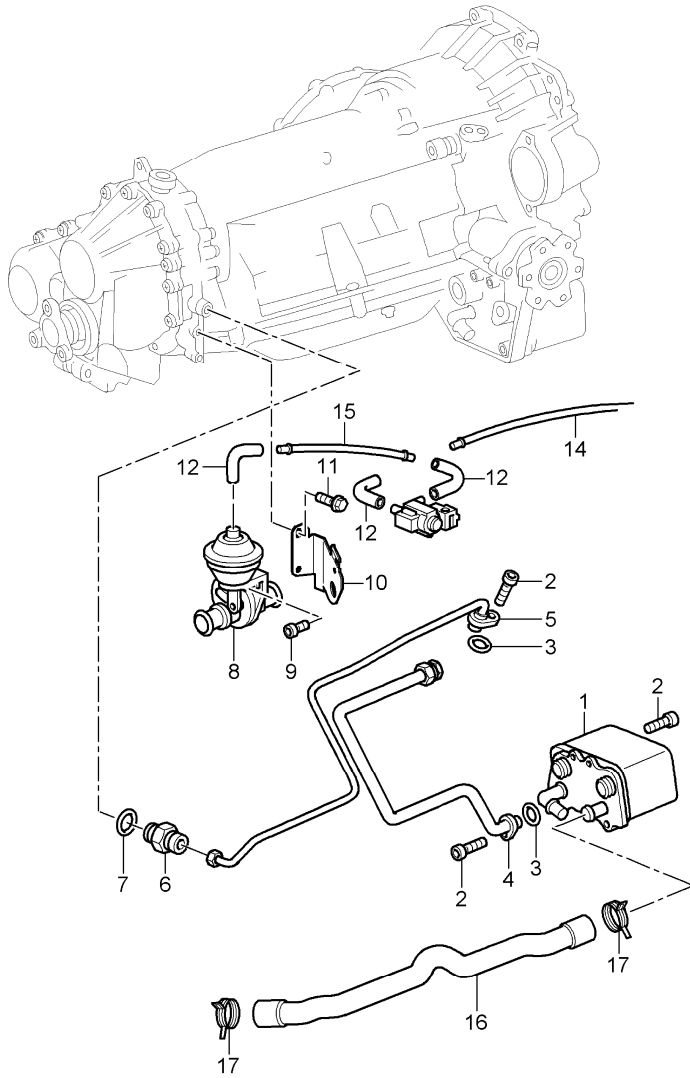
| Pos | Part Number | Description | Remark | Qty | Model |
|-----|----------------|------------------------------------|--------|-----|--------|
| | | tiptronic oil filter oil pan | | | A96.50 |
| 1 | 722 270 161 2 | oil pan | | 1 | |
| 2 | 140 271 008 0 | gasket | | 1 | |
| 3 | 722 277 009 5 | oil filter | | 1 | |
| 4 | 140 271 006 8 | clamping sleeve | | 6 | |
| 5 | 999 073 202 09 | pan-head screw M 6 X 22 | | 6 | |
| 6 | 140 271 016 8 | clamping sleeve | | X | |
| 7 | 900 123 062 20 | sealing ring | | 2 | |
| 8 | 900 219 007 02 | screw plug | | 2 | |
| 9 | 220 271 009 8 | magnet | | 1 | |
| 10 | 996 307 055 11 | connection piece oil inlet | | 1 | |
| 11 | 900 123 007 30 | sealing ring 14 X 18 | | 2 | |
| 12 | 900 070 011 01 | cap nut M14 X 1,5 | | 1 | |

| | | | | | | | | | | | |
|-------|------|----|----|--------------|--------------|-----|-------|------------|---------|-----|---------|
| Model | Year | MG | SG | Illustration | Restrictions | UPD | 14:53 | 24.01.2010 | PORSCHE | PET | PORSCHE |
| 996T | 2005 | 3 | 40 | 340-02 | | 248 | | | | | |



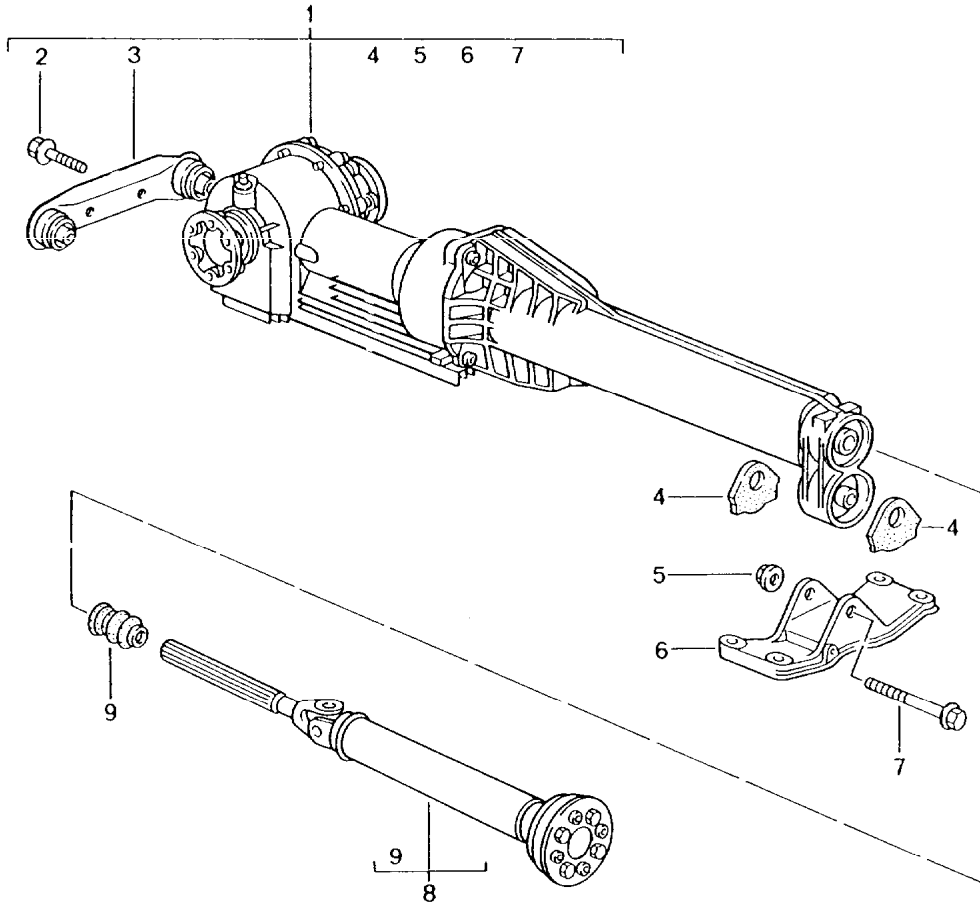
| Pos | Part Number | Description | Remark | Qty | Model |
|-----|----------------|--|--------|-----|--------|
| | | tiptronic switch unit solenoid valve pressure regulator | | | A96.50 |
| 1 | 722 270 020 6 | switch unit | | 1 | |
| 2 | 140 277 007 5 | pin | | 1 | |
| 3 | 140 270 017 8 | spring | | 1 | |
| 4 | 140 270 029 8 | filter | | 1 | |
| 5 | 170 990 012 0 | screw | | 1 | |
| 6 | 140 270 056 1 | electrical components | | 1 | |
| 7 | 140 277 053 5 | valve | | 3 | |
| 8 | 140 277 039 8 | solenoid valve | | 2 | |
| 9 | 140 277 043 5 | solenoid valve | | 1 | |
| 10 | 140 270 049 8 | filter | | 2 | |
| 11 | 140 276 000 3 | spring plate | | 3 | |
| 12 | 140 277 107 1 | screw | | 2 | |
| 13 | 140 277 117 10 | screw | | 1 | |
| 14 | 140 271 078 2 | cover | | 1 | |
| 16 | 000 043 207 28 | cable guide | | 1 | |

| | | | | | | | | | | | |
|-------|------|----|----|--------------|--------------|-----|-------|------------|---------|-----|---------|
| Model | Year | MG | SG | Illustration | Restrictions | UPD | 19:49 | 24.01.2010 | PORSCHE | PET | PORSCHE |
| 996T | 2005 | 3 | 60 | 360-00 | | 248 | | | | | |



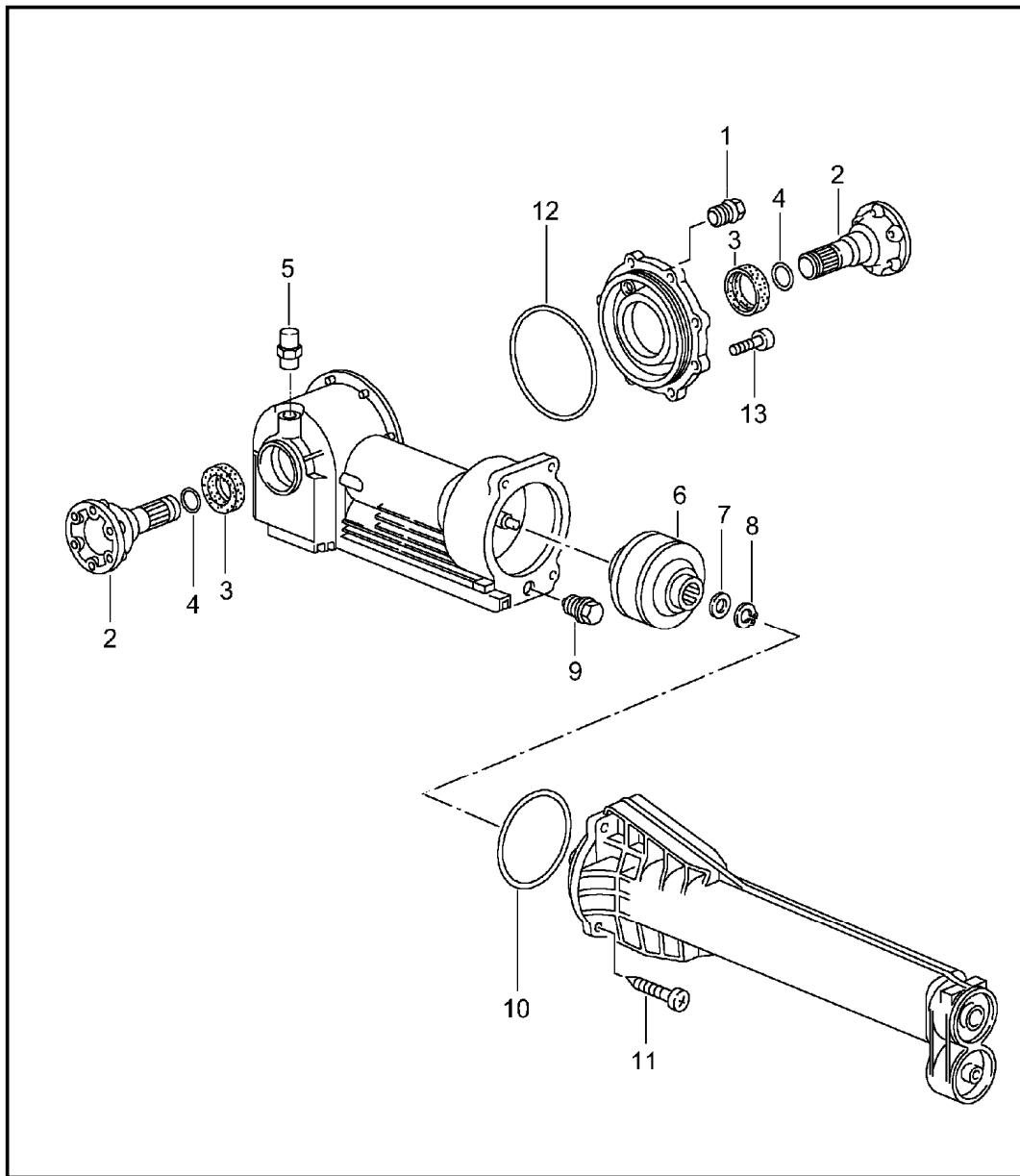
| Pos | Part Number | Description | Remark | Qty | Model |
|-------|----------------|-------------------------------|--------|-----|--------|
| | | tiptronic | | | A96.50 |
| | | atf cooler | | | |
| | | atf lines | | | |
| 1 | 722 270 009 5 | atf cooler | | 1 | |
| (1) P | 722 270 049 5 | atf cooler | | 1 | |
| 2 | 999 073 103 09 | oval-head screw M 6 X 16 | | 6 | |
| 3 | 029 997 184 8 | sealing ring 12,37 X 2,62 | | 2 | |
| 4 | 722 270 089 6 | oil pipe | | 2 | |
| 5 | 722 270 079 6 | oil pipe | | 1 | |
| 6 | 000 997 117 1 | screw socket | | 1 | |
| 7 | 900 123 005 30 | sealing ring A 12 X 16 | | 1 | |
| 8 | 928 574 573 03 | disc valve | | 1 | |
| 9 | 900 146 011 01 | round head screw M 4 X 10 | | 1 | |
| 10 | 997 106 533 00 | support | | 1 | |
| 11 | 900 378 036 01 | hexagon-head bolt M 6 X 12 | | 2 | |
| 12 | 928 574 717 05 | moulded hose | | 3 | |
| 13 | 996 605 123 01 | change-over valve | | 1 | |
| -- | 999 181 742 40 | pipe 4,0 X 1,0 | | X | |
| 14 | | 950 mm | | 1 | |
| 15 | | 75 mm | | 1 | |
| 16 | 996 307 711 12 | water hose | | 1 | |
| 17 | 999 512 656 09 | hose clamp 25 X 12 | | 2 | |
| 18 P | 999 707 388 40 | o-ring | | 1 | |

| | | | | | | | | | | | |
|-------|------|----|----|--------------|--------------|-----|-------|------------|---------|-----|---------|
| Model | Year | MG | SG | Illustration | Restrictions | UPD | 19:49 | 24.01.2010 | PORSCHE | PET | PORSCHE |
| 996T | 2005 | 3 | 60 | 360-01 | | 248 | | | | | |



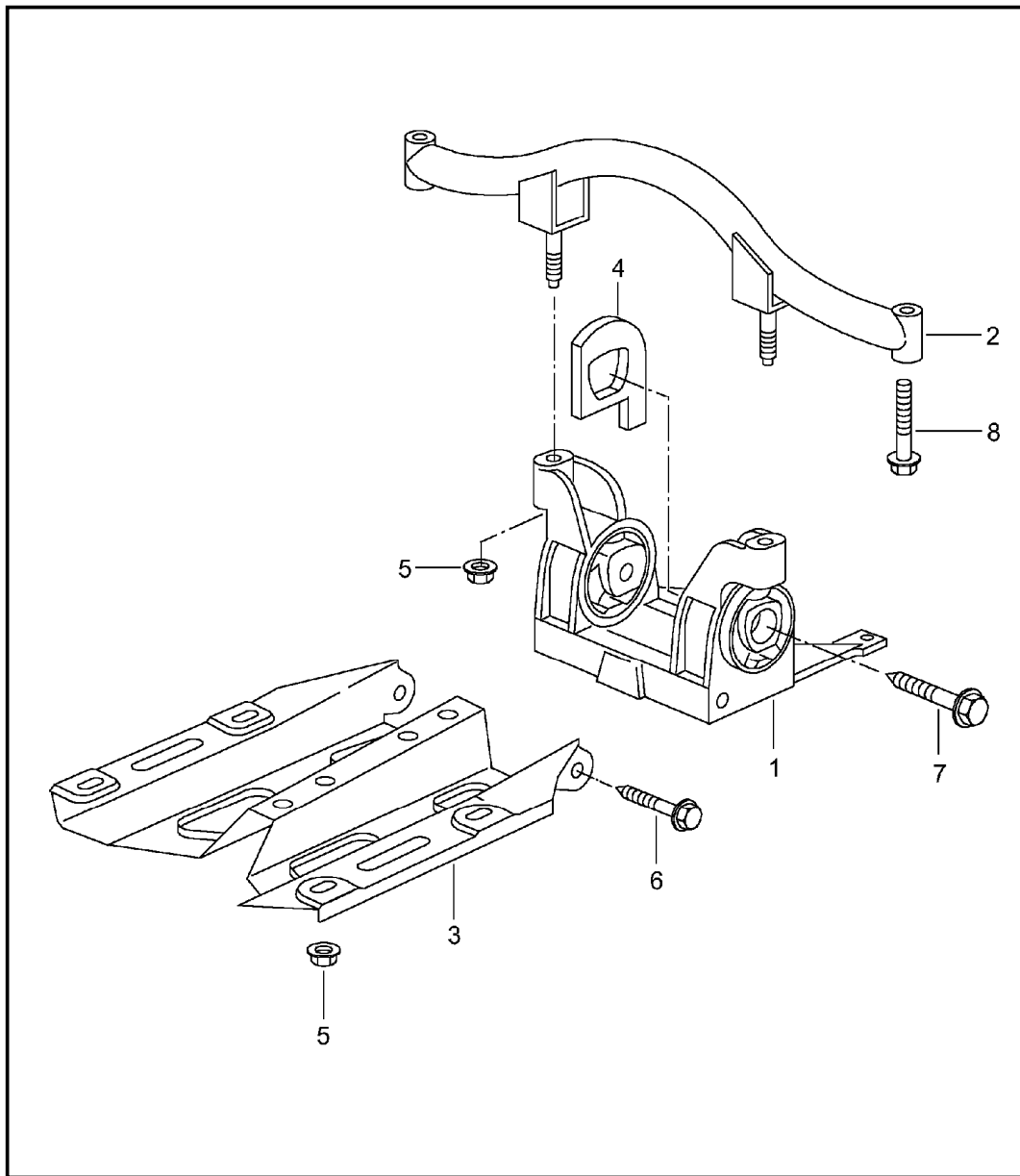
| Pos | Part Number | Description | Remark | Qty | Model |
|-----|------------------|--|--------|-----|--------|
| | | front-axle final drive cardan shaft | | | Z96.00 |
| 1 | > 996 349 010 02 | front-axle final drive ready for installation | -04 | 1 | |
| (1) | > 996 349 010 03 | front-axle final drive ready for installation | 05- | 1 | |
| 2 | 999 072 034 09 | conical screw M 10 X 28 | | 2 | |
| 3 | 996 375 034 00 | transmission carrier front | | 1 | |
| 4 | 996 375 257 01 | stop | | 2 | |
| 5 | 900 380 008 09 | hexagon nut M 10 | | 1 | |
| 6 | 996 375 343 03 | transmission carrier rear | | 1 | |
| 7 | 900 378 142 09 | hexagon-head bolt M 10 X 90 | | 1 | |
| 8 | A 996 421 020 50 | cardan shaft | | 1 | |
| 8 | 997 421 020 00 | cardan shaft | | 1 | |
| 9 | 996 421 145 01 | boot | | 1 | |
| 10 | 996 375 054 02 | transmission mounting rear | | 1 | |
| -- | 999 061 105 09 | stud M 10 X 90 | | 2 | |
| -- | 900 380 008 09 | hexagon nut M 10 mount front-axle final drive cross member | | 2 | |

| | | | | | | | | | | | |
|-------|------|----|----|--------------|--------------|-----|-------|------------|---------|-----|---------|
| Model | Year | MG | SG | Illustration | Restrictions | UPD | 19:49 | 24.01.2010 | PORSCHE | PET | PORSCHE |
| 996T | 2005 | 3 | 60 | 360-02 | | 248 | | | | | |



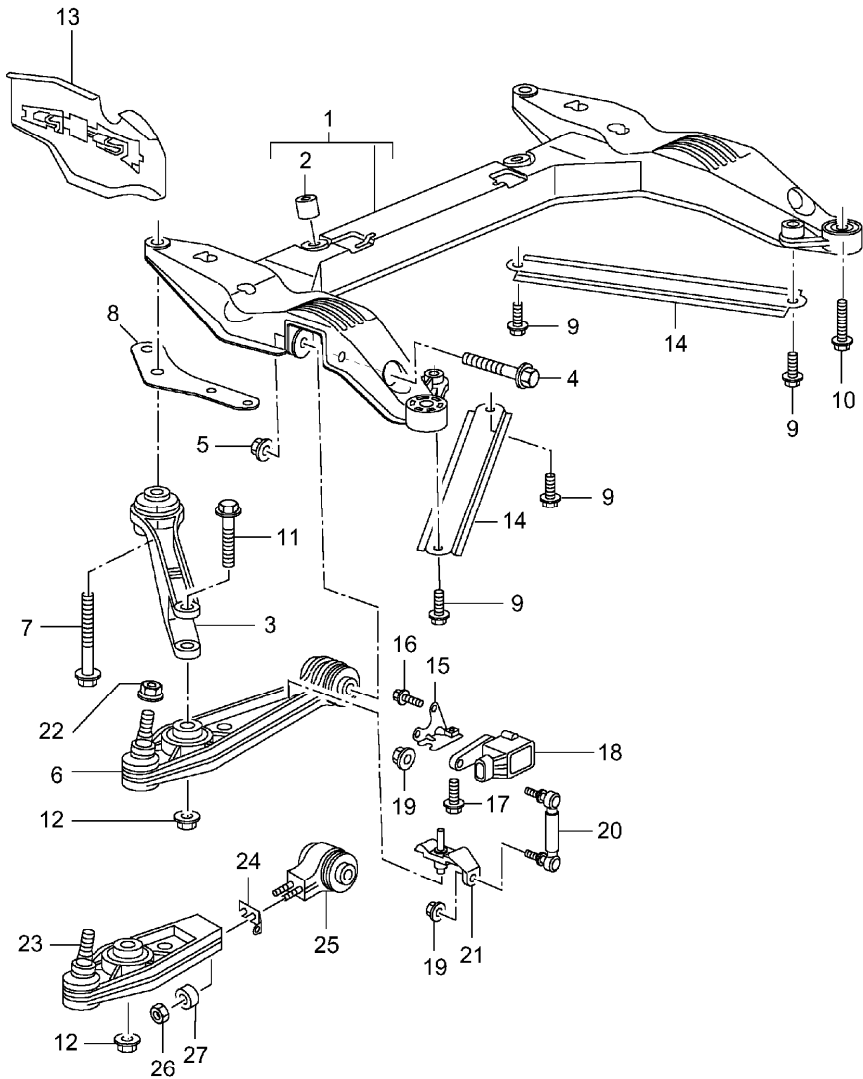
| Pos | Part Number | Description | Remark | Qty | Model |
|------|----------------|---|--------|-----|--------|
| | | front-axle final drive viscous clutch single parts | | | Z96.00 |
| 1 | N 016 161 1 | screw plug M 18 X 1,5 | | 1 | |
| 2 | 996 332 309 00 | joint flange | | 2 | |
| 3 | 999 113 454 40 | shaft sealing ring 40 X 60 X 9 | | 2 | |
| 4 | 996 332 311 00 | circlip 2,5 X 20 | | 2 | |
| 5 | 996 301 071 00 | bleeder 17 X 12 | | 1 | |
| 6 | 996 339 021 02 | viscous clutch | | 1 | |
| 7 | 900 234 174 00 | support washer 20 X 28 X 2,0 | | 1 | |
| 8 | 999 041 021 01 | circlip 20 X 1,2 | | 1 | |
| 9 | 900 124 025 02 | screw plug M 18 X 1,5 PM | | 1 | |
| 10 | 999 707 455 40 | o-ring 123 X 3 | | 1 | |
| 11 | N 903 660 01 | pan-head screw M 8 X 36 for 996.349.010.02 GETRAG 630.0.0130.00 old version | | 4 | |
| (11) | 900 385 141 01 | screw M 8 x 40 for 996.349.010.03 GETRAG 630.0.0173.00 new design | | 4 | |
| -- | 996 337 411 00 | protection cap | | 1 | |
| 12 | --- | o-ring | | 1 | |
| 13 | N 903 660 01 | torx screw M 8 X 36 | | 8 | |

| | | | | | | | | | | | |
|-------|------|----|----|--------------|--------------|-----|-------|------------|---------|-----|---------|
| Model | Year | MG | SG | Illustration | Restrictions | UPD | 19:49 | 24.01.2010 | PORSCHE | PET | PORSCHE |
| 996T | 2005 | 3 | 70 | 370-00 | | 248 | | | | | |



| Pos | Part Number | Description | Remark | Qty | Model |
|------|----------------|---|--------|-----|--------|
| | | tiptronic transmission suspension and mount intermediate flange | | | A96.50 |
| 1 | 996 375 033 03 | transmission carrier | | 1 | |
| 2 | 996 375 317 06 | bracket upper | | 1 | |
| 3 | 996 375 015 00 | side member | | 1 | |
| 4 | 996 375 259 08 | stop | | 2 | |
| 5 | 900 378 167 09 | hexagon-head bolt M 10 X 110 | | 2 | |
| 5 | 999 061 106 09 | stud M 10 X 83 | | 2 | |
| 6 | 900 380 008 09 | hexagon nut M 10 | | 2 | |
| (6A) | 999 076 053 09 | hexagon nut M 10 | | 6 | |
| 7 | 900 378 208 09 | hexagon-head bolt M 12 X 1,5 X 75 | | 2 | |
| 8 | 999 072 008 09 | hexagon-head bolt M 12 X 1,5 X 70 | | 3 | |
| - A | 999 073 182 02 | lens-head screw M 8 X 35 | | 4 | |
| - | 999 073 373 01 | lens-head screw M 8 X 35 | | 4 | |
| - | 900 378 108 09 | hexagon-head bolt M 8 X 35 | | 4 | |

| | | | | | | | | | | | |
|-------|------|----|----|--------------|--------------|-----|-------|------------|---------|-----|---------|
| Model | Year | MG | SG | Illustration | Restrictions | UPD | 19:49 | 24.01.2010 | PORSCHE | PET | PORSCHE |
| 996T | 2005 | 4 | 01 | 401-00 | | 248 | | | | | |

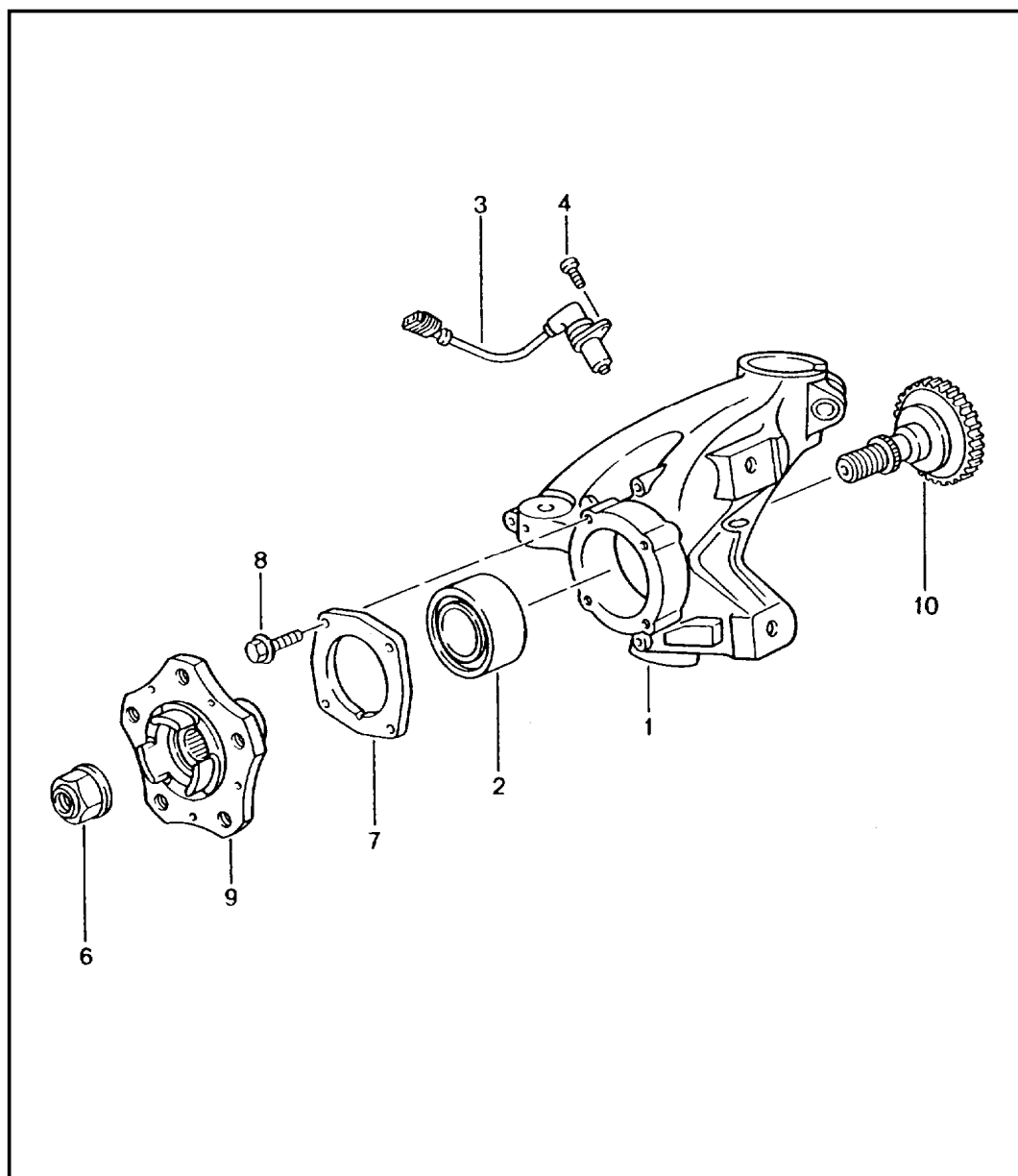


| Pos | Part Number | Description | Remark | Qty | Model |
|-------|----------------|---------------------------------------|--------|-----|--------------|
| | | cross member wishbone | | | |
| 1 | 996 341 081 30 | cross member | -01 | 1 | TURBO |
| (1) A | 996 341 081 12 | cross member | 02- | 1 | TURBO |
| (1) | 996 341 081 14 | cross member | 02- | 1 | TURBO |
| (1) A | 996 341 081 12 | cross member | 02- | 1 | GT2 |
| (1) | 996 341 081 14 | cross member | 02- | 1 | GT2 |
| 2 | 900 197 004 00 | roll pin 13 X 14 | | 1 | |
| 3 A | 996 341 043 03 | control arm | | 2 | |
| (3) | 996 341 043 06 | control arm | | 2 | |
| 4 | 900 378 165 09 | hexagon-head bolt M 12 X 1,5 X 95 | | 2 | |
| 5 | 999 084 445 09 | hexagon nut M 12 X 1,5 | | 2 | |
| 6 A | 996 341 053 07 | wishbone | -03 | 2 | |
| (6) | 996 341 053 16 | wishbone | 04- | 2 | |
| 7 | 900 378 210 09 | hexagon-head bolt M 14 X 1,5 X 110 | | 2 | |
| 8 | 996 341 145 06 | plate | | 2 | |
| 9 | 900 378 211 09 | hexagon-head bolt M 12 X 1,5 X 25 | | 4 | |
| 10 A | 900 378 192 09 | hexagon-head bolt M 14 X 1,5 X 50 | -01 | 2 | TURBO |
| | | | 02- | 4 | TURBO GT2 |
| 10 | 900 378 192 01 | hexagon-head bolt M 14 X 1,5 X 50 | | 2 | TURBO |
| | | | | 4 | TURBO |
| | | | | 4 | GT2 |
| 11 A | 900 378 135 09 | hexagon-head bolt M 14 X 1,5 X 73 | | 2 | |
| | | | | 2 | |
| 11 | 900 378 135 01 | hexagon-head bolt M 14 X 1,5 X 73 | | 2 | |
| | | | | 2 | |
| 12 A | 900 380 012 09 | hexagon nut M 14 X 1,5 | | 2 | |

| | | | | | | | | | | | |
|-------|------|----|----|--------------|--------------|-----|-------|------------|---------|-----|---------|
| Model | Year | MG | SG | Illustration | Restrictions | UPD | 19:49 | 24.01.2010 | PORSCHE | PET | PORSCHE |
| 996T | 2005 | 4 | 01 | 401-00 | | 248 | | | | | |

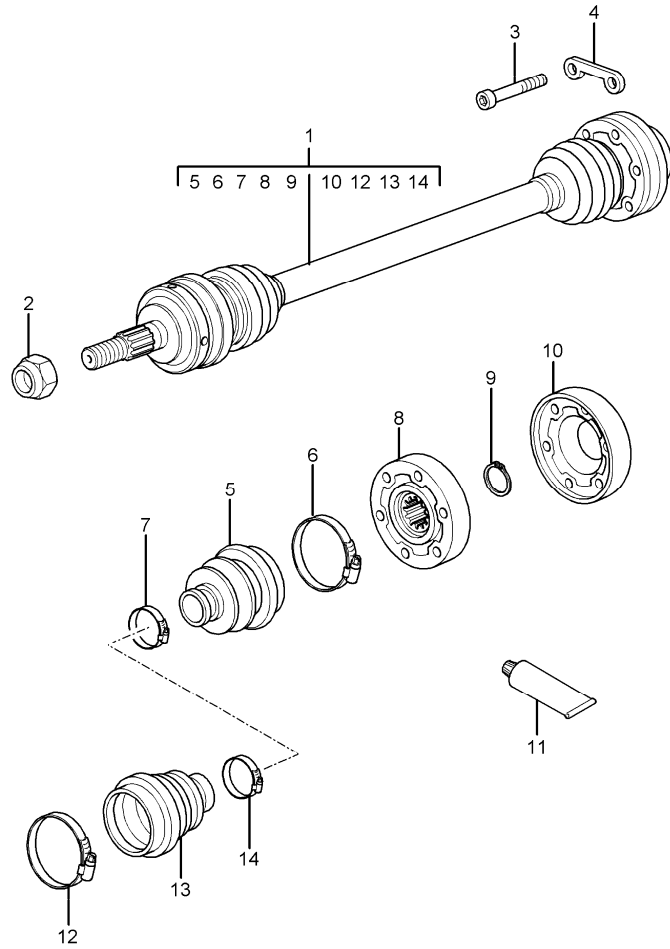
| Pos | Part Number | Description | Remark | Qty | Model | Pos | Part Number | Description | Remark | Qty | Model |
|--------|----------------|---|--------|-----|---------------|--------|----------------|--------------------|--------|-----|-------|
| 12 | 900 380 012 01 | hexagon nut M 14 X 1,5 | | 2 | | 24 | 996 341 543 30 | adjusting shim | /L | 1 | GT2 |
| 13 | 996 341 483 02 | spoiler | /L | 1 | TURBO | (24) K | 996 341 543 90 | adjusting shim | /R | 1 | GT2 |
| (13) | 996 341 483 05 | spoiler F 995S6 75262>> F 995S6 80255>> | /L 05- | 1 | TURBO | 25 K | 996 341 441 90 | bearing flange | | 2 | GT2 |
| (13) A | 996 341 383 90 | spoiler | /L | 1 | GT2 | 26 | 900 076 025 02 | hexagon nut M 8 | | 4 | GT2 |
| (13) | 996 341 117 90 | spoiler | /L -02 | 1 | GT2 | 27 | 999 025 269 02 | washer 8,5 | | 4 | GT2 |
| (13) | 996 341 117 91 | spoiler | /L 03- | 1 | GT2 | | | | | | |
| (13) | 996 341 484 02 | spoiler | /R | 1 | TURBO | | | | | | |
| (13) | 996 341 484 05 | spoiler F 995S6 75262>> F 995S6 80255>> | /R 05- | 1 | TURBO | | | | | | |
| (13) A | 996 341 384 90 | spoiler | /R | 1 | GT2 | | | | | | |
| (13) | 996 341 118 90 | spoiler | /R -02 | 1 | GT2 | | | | | | |
| (13) | 996 341 118 91 | spoiler | /R 03- | 1 | GT2 | | | | | | |
| 14 | 996 504 433 00 | strut | | 2 | | | | | | | |
| 15 | 996 341 511 02 | support | | 1 | M601 | | | | | | |
| 16 | 900 146 003 02 | oval-head screw M 5 X 10 | | 2 | M601 | | | | | | |
| 17 | 900 378 177 09 | hexagon-head bolt M 6 X 30 | | 1 | M601 | | | | | | |
| 18 | 996 631 121 00 | sensor | | 1 | M601 | | | | | | |
| 19 A | 900 380 015 09 | hexagon nut VM 6 | | 2 | M601 | | | | | | |
| 19 | 900 380 015 01 | hexagon nut VM 6 | | 2 | M601 | | | | | | |
| 20 | 996 341 375 01 | strut | | 1 | M601 | | | | | | |
| 21 | 996 341 371 03 | support | | 1 | TURBO M601 | | | | | | |
| 22 | 999 084 449 09 | hexagon nut M 12 X 1,5 | | 2 | M601 | | | | | | |
| 23 K | 996 341 122 90 | wishbone | /L | 1 | GT2 | | | | | | |
| (23) K | 996 341 121 90 | wishbone | /R | 1 | GT2 | | | | | | |

| | | | | | | | | | | | |
|-------|------|----|----|--------------|--------------|-----|-------|------------|---------|-----|---------|
| Model | Year | MG | SG | Illustration | Restrictions | UPD | 19:50 | 24.01.2010 | PORSCHE | PET | PORSCHE |
| 996T | 2005 | 4 | 01 | 401-05 | | 248 | | | | | |



| Pos | Part Number | Description | Remark | Qty | Model |
|-------|------------------|---|--------|-----|-------|
| | | wheel carrier wheel hub | | | |
| (1) | 996 341 165 05 | wheel carrier | /L | 1 | TURBO |
| (1) K | 996 341 157 91 | wheel carrier | /L | 1 | GT2 |
| (1) | 996 341 166 05 | wheel carrier | /R | 1 | TURBO |
| (1) K | 996 341 158 91 | wheel carrier | /R | 1 | GT2 |
| 2 | A 999 053 042 07 | bearing | | 2 | |
| (2) | 999 053 054 05 | bearing | | 2 | |
| 3 | 996 606 406 00 | speed sensor | -03 | 2 | |
| (3) | 996 606 407 02 | speed sensor | 04- | 2 | |
| - | 996 606 235 90 | heat protection for speed sensor | /L | 1 | GT2 |
| - | 996 606 236 90 | heat protection for speed sensor | /R | 1 | GT2 |
| - | K 996 341 321 70 | support for cable anti-lock brake system | | 2 | GT2 |
| 4 | 900 067 117 09 | hexagon-head bolt M 6 X 16 | | 2 | |
| (6) | 999 084 634 02 | hexagon nut M 22X 1,5 | | 2 | |
| 7 | 986 331 661 20 | lid | | 2 | |
| 8 | 999 217 042 09 | hexagon-head bolt M 8 X 35 | | 8 | |
| 9 | 997 341 605 01 | wheel hub | | 2 | GT2 |
| (9) | 997 341 605 01 | wheel hub | | 2 | TURBO |
| 10 | K 996 341 131 90 | tension bolt | | 2 | GT2 |

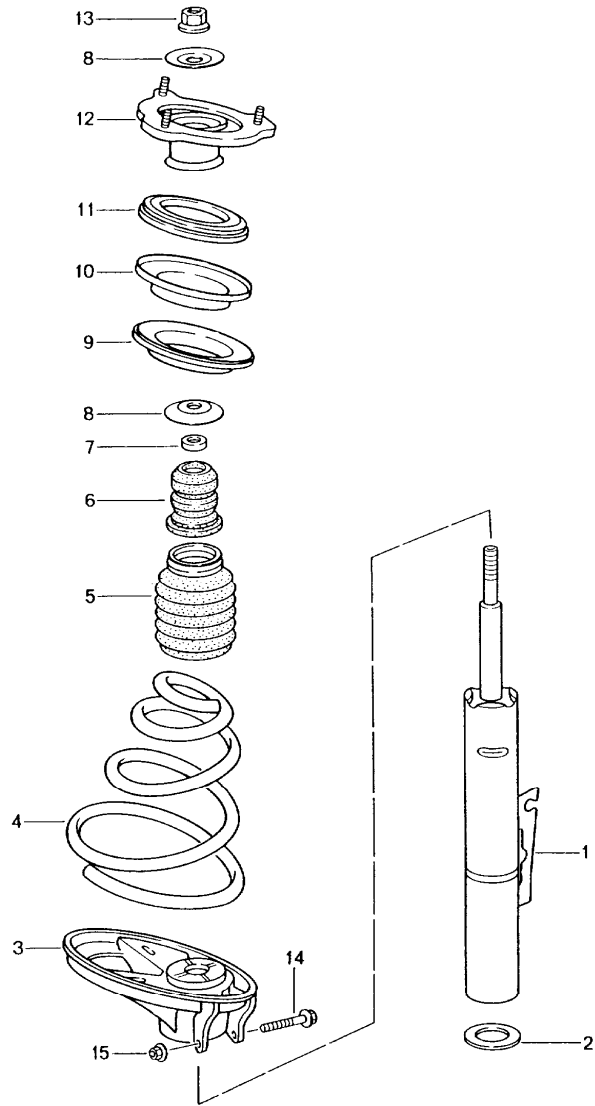
| | | | | | | | | | | | |
|-------|------|----|----|--------------|--------------|-----|-------|------------|---------|-----|---------|
| Model | Year | MG | SG | Illustration | Restrictions | UPD | 19:50 | 24.01.2010 | PORSCHE | PET | PORSCHE |
| 996T | 2005 | 4 | 01 | 401-10 | | 248 | | | | | |



| Pos | Part Number | Description | Remark | Qty | Model |
|------|----------------|--|--------|-----|-------|
| | | drive shaft | | | TURBO |
| 1 | 996 349 038 10 | drive shaft | | 2 | |
| 2 | 999 084 641 02 | lock nut M 22 X 1,5 | -03 | 2 | |
| (2) | 999 084 641 02 | lock nut M 22 X 1,5 | 04- | 2 | |
| 3 | 900 067 211 09 | pan-head screw M 8 X 50 | | 12 | |
| 4 A | 996 349 191 00 | plate | | 6 | |
| (4) | 996 349 191 01 | plate | | 6 | |
| 5 | 996 349 293 00 | dust bellows | | 2 | |
| 6 | 997 349 957 00 | clip | | 2 | |
| 7 | 996 349 257 03 | clip | | 2 | |
| - | 996 349 959 00 | support with dust bellows | | 2 | |
| 8 | 996 349 030 00 | joint | | 2 | |
| 9 | 900 041 011 01 | circlip | | 2 | |
| 10 | 996 349 267 00 | lid | | 2 | |
| 11 | 000 043 110 01 | grease for drive shaft 1 100-gramme tube | | X | |
| (11) | 000 043 205 36 | sealing compound drive shaft 1 100-gramme tube | | X | |
| 12 | 996 349 257 00 | clip | | 2 | |
| 13 | 996 349 291 00 | dust bellows | | 2 | |
| 14 | 996 349 257 01 | clip | | 2 | |

| | | | | | | | | | | | |
|-------|------|----|----|--------------|--------------|-----|-------|------------|---------|-----|---------|
| Model | Year | MG | SG | Illustration | Restrictions | UPD | 19:50 | 24.01.2010 | PORSCHE | PET | PORSCHE |
| 996T | 2005 | 4 | 02 | 402-00 | | 248 | | | | | |

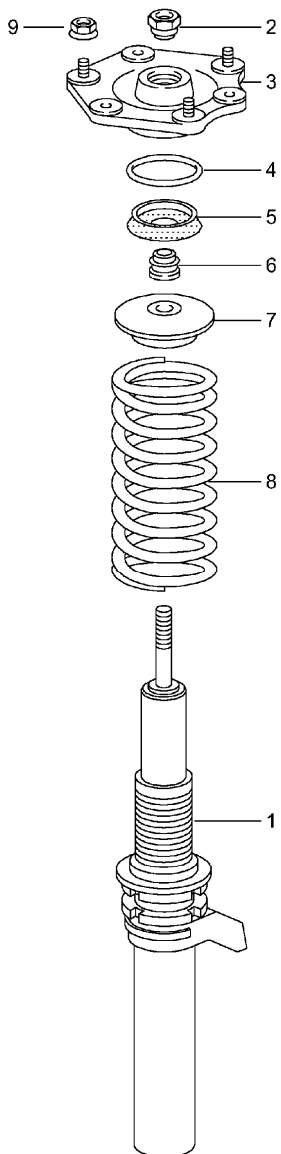
| Pos | Part Number | Description | Remark | Qty | Model |
|-----|----------------|--|------------|-----|-----------------|
| | | suspension shock absorber strut | | | TURBO |
| 1 | 996 343 043 17 | shock absorber | -03 | 2 | COUPE |
| (1) | 996 343 043 28 | shock absorber | 04- 04- | 2 | COUPE CABRIO |
| (1) | 996 343 980 33 | shock absorber | 03- | 2 | IX73 COUPE |
| | | mount shock absorber | | | |
| - A | 900 378 138 09 | hexagon-head bolt M 12 X 1,5 X 70 | | 2 | |
| - | 900 378 138 01 | hexagon-head bolt M 12 X 1,5 X 70 | | 2 | |
| - | 999 084 445 09 | hexagon nut M 12 X 1,5 | | 2 | |
| 2 | 996 343 521 01 | concave washer | | 2 | |
| 3 | 996 343 507 02 | concave washer | /L | 1 | |
| (3) | 996 343 508 02 | concave washer | /R | 1 | |
| 4 | 996 343 533 18 | coil spring 1 set | -03 | 1 | COUPE |
| | | 504 identification gold-coloured white | | | |
| (4) | 996 343 533 30 | coil spring 1 set | 04- | 1 | COUPE CABRIO |
| | | 504 identification pink blue | | | |
| (4) | 996 343 980 27 | coil spring 1 set | 03- | 1 | IX73 COUPE |
| | | 504 identification blue silver | | | |
| 5 | 996 343 509 01 | bellows | | 2 | |
| 6 | 996 343 301 02 | additional spring | | 2 | |
| (6) | 996 343 980 35 | additional spring | 03- | 2 | IX73 COUPE |



| | | | | | | | | | | | |
|-------|------|----|----|--------------|--------------|-----|-------|------------|---------|-----|---------|
| Model | Year | MG | SG | Illustration | Restrictions | UPD | 19:50 | 24.01.2010 | PORSCHE | PET | PORSCHE |
| 996T | 2005 | 4 | 02 | 402-00 | | 248 | | | | | |

| Pos | Part Number | Description | Remark | Qty | Model | Pos | Part Number | Description | Remark | Qty | Model |
|------|----------------|-------------------------------|--------|-----|---------------|-----|-------------|-------------|--------|-----|-------|
| 7 | 996 343 513 00 | cone washer | | 2 | | | | | | | |
| 8 | 996 343 107 03 | stop plate | | 2 | | | | | | | |
| 9 | 996 343 525 00 | base 3,0 MM | | X | | | | | | | |
| (9) | 996 343 525 01 | base 6,5 MM | | X | | | | | | | |
| 10 | 996 343 523 00 | support ring | | 1 | | | | | | | |
| 11 | 996 343 501 00 | angular-contact bearing | | 1 | | | | | | | |
| 12 | 996 343 015 04 | supporting mount | /L | 1 | | | | | | | |
| (12) | 996 343 980 15 | supporting mount | /L 03- | 1 | IX73 COUPE | | | | | | |
| (12) | 996 343 016 04 | supporting mount | /R | 1 | | | | | | | |
| (12) | 996 343 980 16 | supporting mount | /R 03- | 1 | IX73 COUPE | | | | | | |
| - A | 999 084 447 09 | hexagon nut M 8 | | 6 | | | | | | | |
| - | 999 084 447 01 | hexagon nut M 8 | | 6 | | | | | | | |
| 13 A | 900 380 012 09 | hexagon nut M 14 X 1,5 | | 2 | | | | | | | |
| 13 | 900 380 012 01 | hexagon nut M 14 X 1,5 | | 2 | | | | | | | |
| 14 | 900 378 191 09 | hexagon-head bolt M 6 X 55 | | 2 | | | | | | | |
| 15 | 900 377 010 09 | hexagon nut M 6 | | 2 | | | | | | | |

| | | | | | | | | | | | |
|-------|------|----|----|--------------|--------------|-----|-------|------------|---------|-----|---------|
| Model | Year | MG | SG | Illustration | Restrictions | UPD | 19:50 | 24.01.2010 | PORSCHE | PET | PORSCHE |
| 996T | 2005 | 4 | 02 | 402-01 | | 248 | | | | | |

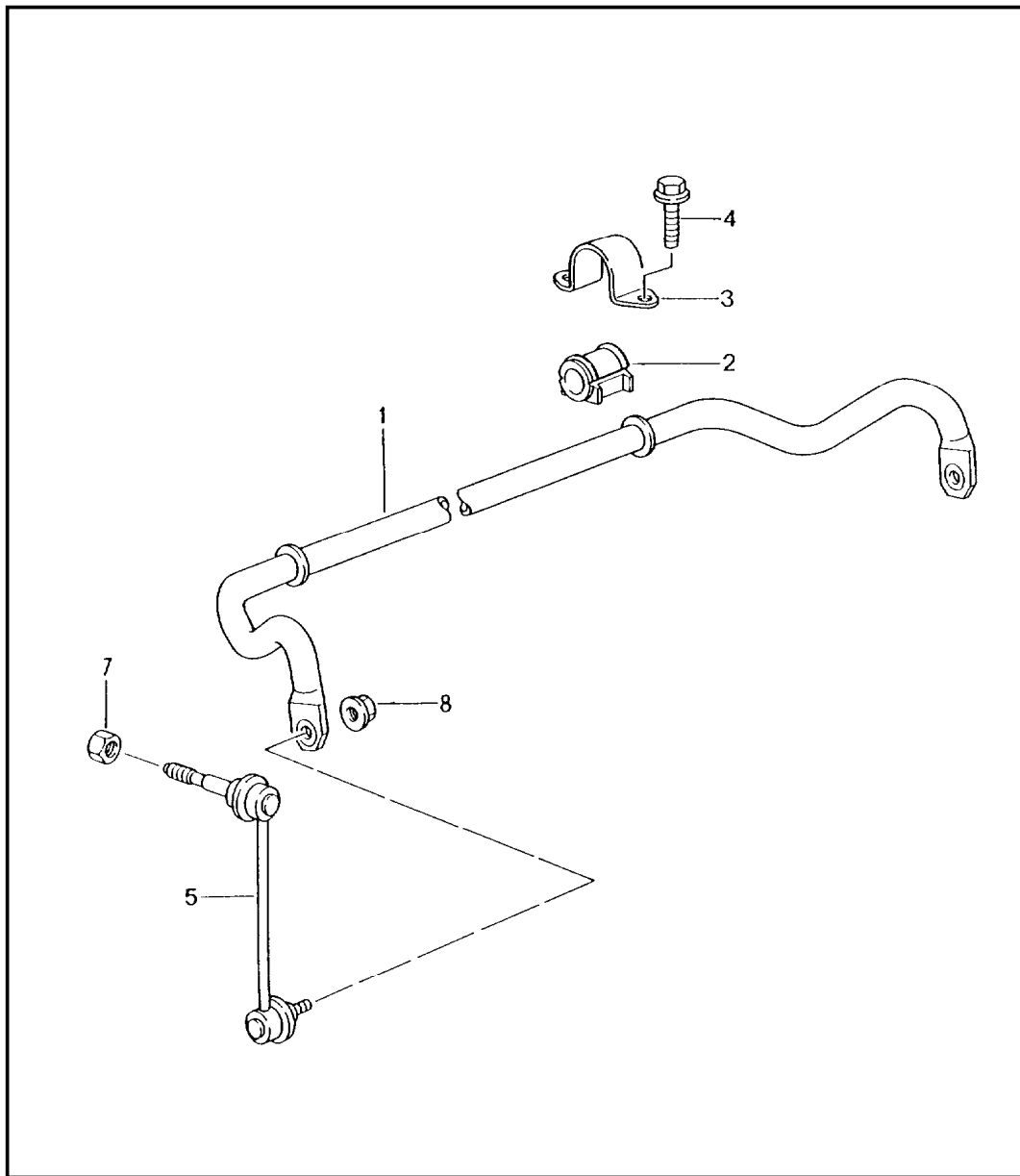


| Pos | Part Number | Description | Remark | Qty | Model |
|-------|----------------|---|--------|-----|-------|
| | | suspension shock absorber strut | | | GT2 |
| - A | 996 343 031 93 | spring strut complete | | 2 | |
| - | 996 343 031 98 | spring strut complete | | 2 | |
| 1 A | 996 343 041 93 | shock absorber - bilstein - | | 2 | |
| (1) | 996 343 041 98 | shock absorber - bilstein - mount shock absorber | | 2 | |
| - A | 900 378 138 09 | hexagon-head bolt M 12 X 1,5 X 70 | | 2 | |
| - | 900 378 138 01 | hexagon-head bolt M 12 X 1,5 X 70 | | 2 | |
| - | 999 084 445 09 | hexagon nut M 12 X 1,5 | | 2 | |
| 2 K | 996 343 561 91 | nut | | 2 | |
| 3 K | 996 343 011 91 | supporting mount | | 2 | |
| - | 000 043 205 34 | grease 1 tube 100 ML AUTOL TOP 2000 | | X | |
| 4 | 964 343 188 80 | retainer spring | | 6 | |
| 5 | 964 343 186 80 | bellows | | 2 | |
| 6 K | 996 343 563 91 | spacer sleeve | | 2 | |
| 7 U | 996 343 511 91 | spring hanger | | 2 | |
| (7) K | 996 343 511 90 | spring hanger | | 2 | |
| - | 996 343 567 90 | bellows for spring hanger | | 2 | |
| - A | 996 343 551 90 | rubber ply for coil spring | | 2 | |

| | | | | | | | | | | | |
|-------|------|----|----|--------------|--------------|-----|-------|------------|---------|-----|---------|
| Model | Year | MG | SG | Illustration | Restrictions | UPD | 19:50 | 24.01.2010 | PORSCHE | PET | PORSCHE |
| 996T | 2005 | 4 | 02 | 402-01 | | 248 | | | | | |

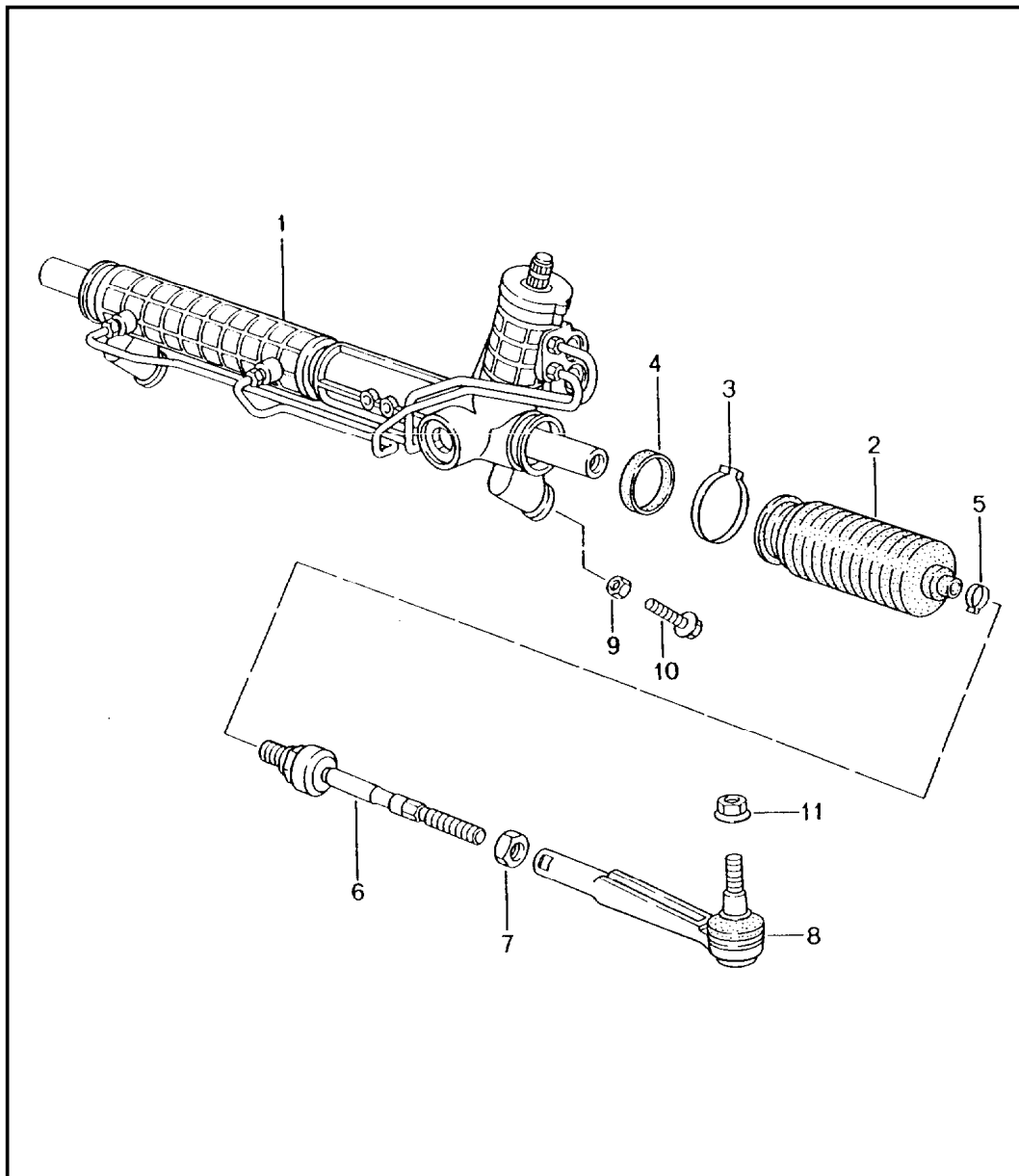
| Pos | Part Number | Description | Remark | Qty | Model | Pos | Part Number | Description | Remark | Qty | Model |
|-----|------------------|--|--------|-----|-------|-----|-------------|-------------|--------|-----|-------|
| - | K 996 343 551 91 | rubber ply for coil spring | | 2 | | | | | | | |
| - | U 996 343 931 90 | retrofit kit coil spring see technical information group 4 NR.5/02 | | 1 | | | | | | | |
| - | A 996 343 105 93 | additional spring | | 2 | | | | | | | |
| - | 996 343 105 94 | additional spring | | 2 | | | | | | | |
| 8 | A 996 343 531 93 | coil spring | | 1 | | | | | | | |
| | 504 | 1 set | | | | | | | | | |
| (8) | 996 343 531 98 | coil spring | | 1 | | | | | | | |
| | 504 | 1 set | | | | | | | | | |
| 9 | A 999 084 447 09 | hexagon nut M 8 | | 6 | | | | | | | |
| 9 | 999 084 447 01 | hexagon nut M 8 | | 6 | | | | | | | |

| | | | | | | | | | | | |
|-------|------|----|----|--------------|--------------|-----|-------|------------|---------|-----|---------|
| Model | Year | MG | SG | Illustration | Restrictions | UPD | 19:50 | 24.01.2010 | PORSCHE | PET | PORSCHE |
| 996T | 2005 | 4 | 02 | 402-05 | | 248 | | | | | |



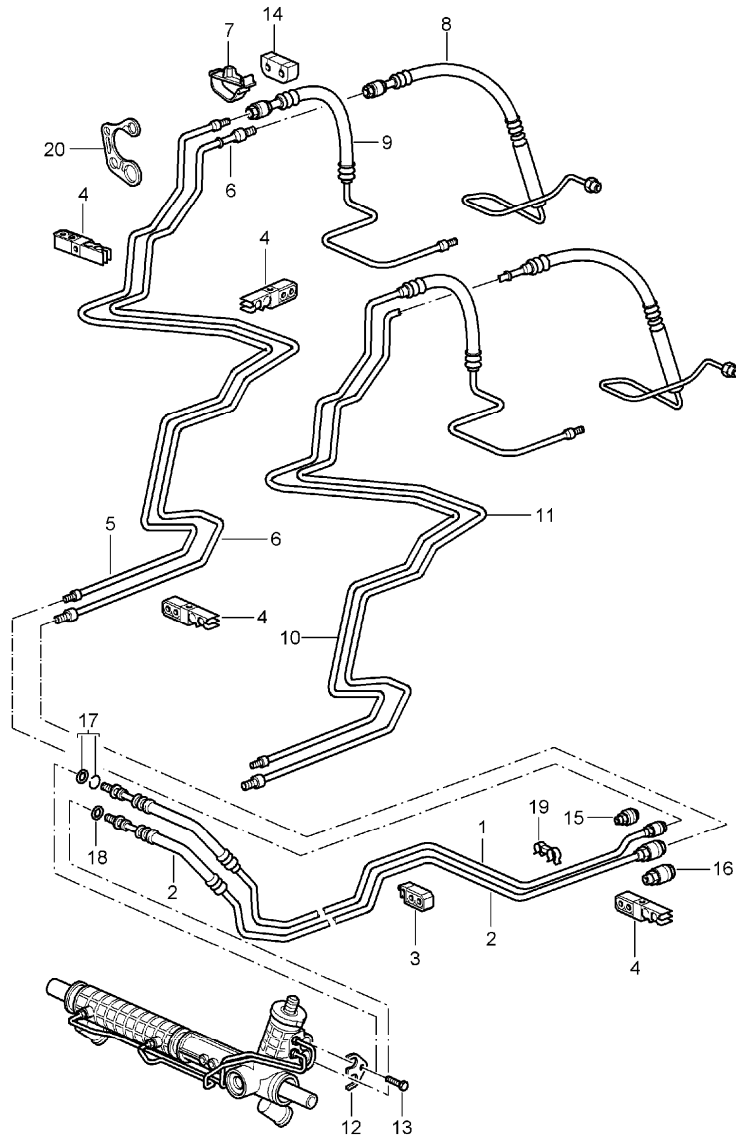
| Pos | Part Number | Description | Remark | Qty | Model |
|-------|----------------|--------------------------------|--------|-----|---------------------|
| | | stabiliser | | | |
| 1 | 996 343 703 02 | stabiliser | -04 | 1 | TURBO |
| (1) | 996 343 703 04 | stabiliser | 05- | 1 | TURBO |
| (1) | 996 343 703 00 | stabiliser | 04 | 1 | IX75 TURBO/COUPE |
| (1) | 996 343 703 03 | stabiliser | 05- | 1 | IX75 TURBO/COUPE |
| (1) K | 996 343 701 90 | stabiliser | | 1 | GT2 |
| (2) | 996 343 792 12 | stabiliser mounting | | 2 | TURBO |
| (2) | 996 343 792 11 | stabiliser mounting | 04- | 2 | IX75 TURBO/COUPE |
| (2) | 996 343 792 16 | stabiliser mounting | | 2 | GT2 |
| 3 | 996 343 777 01 | clip | | 2 | |
| 4 | 900 378 070 09 | hexagon-head bolt M 10 X 30 | | 4 | |
| 5 | 996 343 073 04 | stabiliser mounting | | 2 | TURBO |
| (5) K | 996 343 069 91 | stabiliser mounting | | 2 | GT2 |
| 7 | 999 084 445 09 | hexagon nut M 12 X 1,5 | | 2 | |
| 8 | 999 084 643 09 | hexagon nut M 10 | | 2 | TURBO |
| . (8) | 999 084 624 09 | hexagon nut M 10 | | 2 | GT2 |

| | | | | | | | | | | | |
|-------|------|----|----|--------------|--------------|-----|-------|------------|---------|-----|---------|
| Model | Year | MG | SG | Illustration | Restrictions | UPD | 19:51 | 24.01.2010 | PORSCHE | PET | PORSCHE |
| 996T | 2005 | 4 | 03 | 403-00 | | 248 | | | | | |



| Pos | Part Number | Description | Remark | Qty | Model |
|-------|------------------|---|--------|-----|-------|
| | | power steering steering gear steering parts | | | |
| 1 | A 996 347 011 06 | steering gear power steering | /LL | 1 | |
| (1) > | 996 347 011 07 | steering gear power steering | /LL | 1 | |
| (1) A | 996 347 012 07 | steering gear power steering | /RL | 1 | |
| (1) > | 996 347 012 08 | steering gear power steering | /RL | 1 | |
| - | A 996 347 110 01 | clip pinion steering gear | | -03 | 1 |
| - | 996 347 110 02 | clip pinion steering gear | | 04- | 1 |
| 2 | 996 347 191 04 | bellows | /LL | 2 | |
| 3 | 996 347 293 04 | clamping ring | /LL | 2 | |
| 4 | 997 347 373 00 | sealing ring | /LL | 2 | |
| 5 | 999 512 645 09 | clamping ring | | 2 | |
| 6 | 996 347 322 03 | joint | | 2 | |
| 7 | 999 034 037 09 | hexagon nut M 14 X 1,5 | | 2 | |
| 8 | 996 347 131 04 | track rod | | 2 | |
| 9 | - | see illustrations 4/01/00 POS.2 | | | |
| 10 | 900 378 100 01 | hexagon-head bolt AM 10 X 45 | | 2 | |
| 11 | 999 084 449 09 | hexagon nut M 12 X 1,5 | | 2 | |

| | | | | | | | | | | | |
|-------|------|----|----|--------------|--------------|-----|-------|------------|---------|-----|---------|
| Model | Year | MG | SG | Illustration | Restrictions | UPD | 19:51 | 24.01.2010 | PORSCHE | PET | PORSCHE |
| 996T | 2005 | 4 | 03 | 403-01 | | 248 | | | | | |



| Pos | Part Number | Description | Remark | Qty | Model |
|-------|----------------|---|--------|-----|-------|
| | | power steering lines | | | |
| 1 | 996 347 451 28 | pressure line | /LL | -01 | 1 |
| (1) A | 996 347 451 29 | pressure line | /LL | 02 | 1 |
| (1) A | 996 347 451 30 | pressure line | /LL | 03- | 1 |
| (1) | 996 347 451 31 | pressure line | /LL | 03- | 1 |
| (1) | 996 347 452 06 | pressure line | /RL | 01 | 1 |
| (1) A | 996 347 452 26 | pressure line | /RL | 02 | 1 |
| (1) | 996 347 452 28 | pressure line | /RL | 03- | 1 |
| (1) | 996 347 451 08 | pressure line | /LL | 01 | 1 GT2 |
| (1) A | 996 347 451 09 | pressure line | /LL | 02 | 1 GT2 |
| (1) | 996 347 451 10 | pressure line | /LL | 03- | 1 GT2 |
| (1) | 996 347 452 04 | pressure line | /RL | 01 | 1 GT2 |
| (1) A | 996 347 452 07 | pressure line | /RL | 02 | 1 GT2 |
| (1) | 996 347 452 08 | pressure line | /RL | 03 | 1 GT2 |
| 2 | 996 347 449 29 | return line F >>991S6 80594 | /LL | | 1 |
| (2) | 996 347 449 29 | return line F 991S6 80595>> | /LL | 01 | 1 |
| (2) | 996 347 449 30 | return line | /LL | 02- | 1 |
| (2) | 996 347 450 05 | return line | /RL | 01 | 1 |
| (2) | 996 347 450 25 | return line | /RL | 02- | 1 |
| (2) | 996 347 449 09 | return line | /LL | | 1 GT2 |
| (2) | 996 347 450 03 | return line | /RL | 01 | 1 GT2 |
| (2) | 996 347 450 06 | return line | /RL | 02- | 1 GT2 |
| 3 | 996 347 543 00 | support | | | X |
| (3) | 996 347 553 00 | support | /RL | | 1 |
| 4 | 996 355 543 00 | support | | | 1 |
| - | 996 347 674 00 | support pressure line return line | /RL | | 1 |

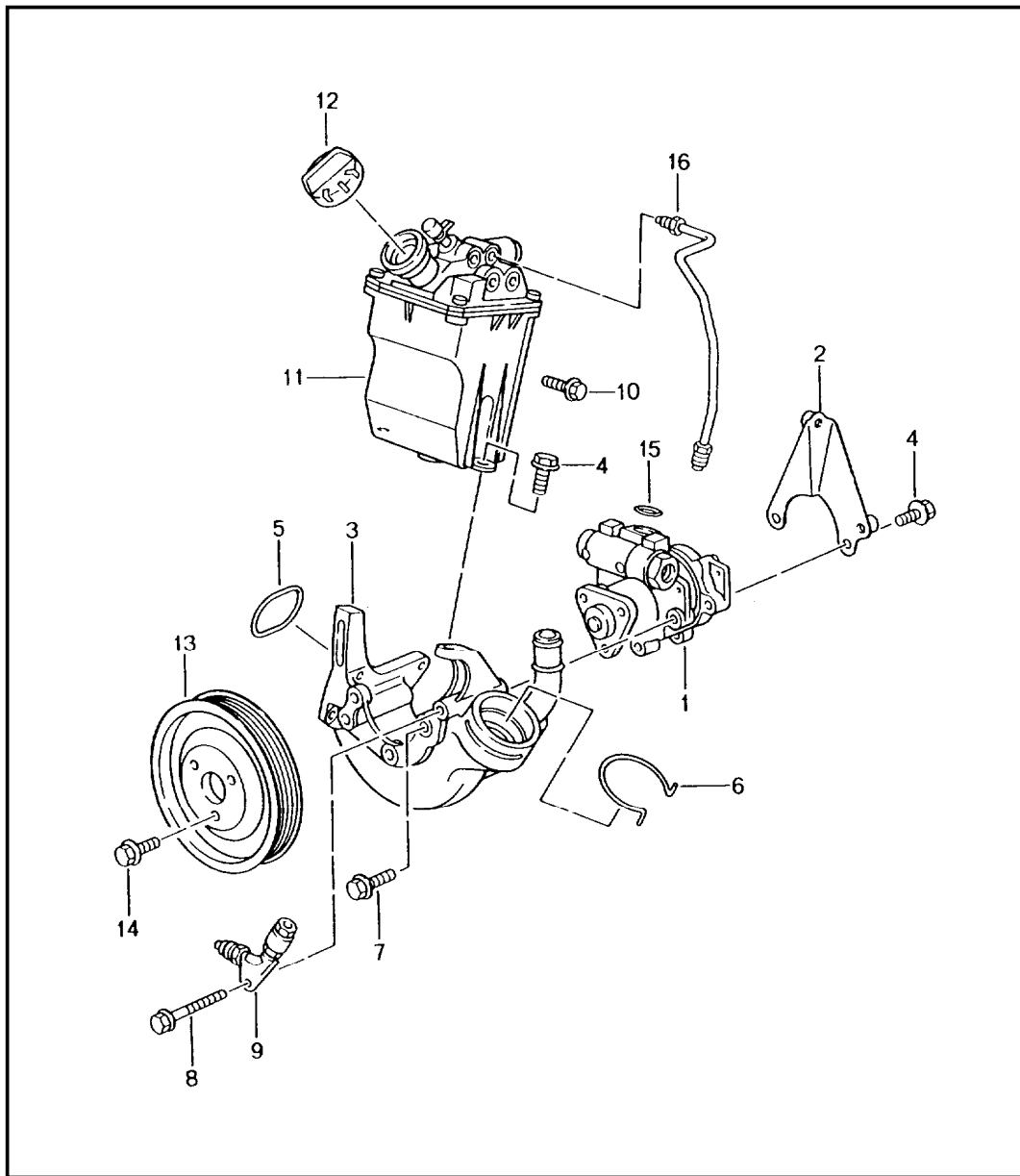
| | | | | | | | | | | | |
|-------|------|----|----|--------------|--------------|-----|-------|------------|---------|-----|---------|
| Model | Year | MG | SG | Illustration | Restrictions | UPD | 19:51 | 24.01.2010 | PORSCHE | PET | PORSCHE |
| 996T | 2005 | 4 | 03 | 403-01 | | 248 | | | | | |

| Pos | Part Number | Description | Remark | Qty | Model | Pos | Part Number | Description | Remark | Qty | Model |
|-----|------------------|---|--------|-----|-------|-----|----------------|---|--------|-----|-------|
| 5 | A 996 347 539 51 | return line | | 1 | | - | 999 230 683 40 | circlip for threaded joint | | 1 | |
| (5) | 996 347 539 52 | return line centre F >>994S6 80654 F >>994S6 70658 F >>994S6 95107 | | 1 | | | | F >>994S6 80655 F >>994S6 70659 F >>994S6 95108 | | | |
| 6 | 996 347 545 51 | pressure line centre | 01 | 1 | | 10 | 996 347 439 50 | return line F 994S6 80655>> F 994S6 70659>> F 994S6 95108>> | | 1 | |
| (6) | 996 347 545 52 | pressure line centre F >>994S6 80654 F >>994S6 70658 F >>994S6 95107 | 02- | 1 | | 11 | 996 347 445 50 | pressure line F 994S6 80655>> F 994S6 70659>> F 994S6 95108>> | | 1 | |
| 7 | 996 347 549 01 | support | | 2 | | 12 | 996 347 769 01 | support | | 1 | |
| 8 | 996 347 443 53 | pressure line rear F >>994S6 80654 F >>994S6 70658 F >>994S6 95107 | | 1 | | 13 | 900 067 063 02 | pan-head screw M 10 X 20 | | 1 | |
| - | 999 707 355 40 | sealing ring pressure line F >>994S6 80654 F >>994S6 70658 F >>994S6 95107 | | 1 | | 14 | 996 347 551 01 | retainer plate mount pressure line return line power steering | | 1 | |
| 9 | 996 347 441 52 | return line rear F >>994S6 80654 F >>994S6 70658 F >>994S6 95107 | | 1 | | - | 996 347 771 02 | support left | /RL | 1 | |
| - | 999 230 551 10 | threaded joint NW 10 F >>994S6 80654 F >>994S6 70658 F >>994S6 95107 | | 1 | | - | 996 347 672 02 | support right | /RL | 1 | |
| - | 999 230 552 10 | threaded joint NW 6 F >>994S6 80654 F >>994S6 70658 F >>994S6 95107 | | 1 | | - | 996 347 547 00 | support lines mount bracket | | 1 | |
| - | 999 230 685 40 | circlip for threaded joint F >>994S6 80654 F >>994S6 70658 F >>994S6 95107 | | 1 | | - A | 996 347 544 01 | support | | 1 | |
| | | | | | | - | 997 347 544 00 | support lines mount bracket | | 1 | |
| | | | | | | 15 | 999 230 539 10 | threaded joint | | 1 | |
| | | | | | | 16 | 999 230 540 10 | threaded joint | | 1 | |
| | | | | | | 17 | 999 230 543 40 | repair kit gaskets | | 1 | |
| | | | | | | 18 | 999 230 542 40 | o-ring | | 1 | |

| | | | | | | | | | | | |
|-------|------|----|----|--------------|--------------|-----|-------|------------|---------|-----|---------|
| Model | Year | MG | SG | Illustration | Restrictions | UPD | 19:51 | 24.01.2010 | PORSCHE | PET | PORSCHE |
| 996T | 2005 | 4 | 03 | 403-01 | | 248 | | | | | |

| Pos | Part Number | Description | Remark | Qty | Model | Pos | Part Number | Description | Remark | Qty | Model |
|-----|----------------|---------------------|--------|-----|-------|-----|-------------|-------------|--------|-----|-------|
| 19 | 999 507 575 40 | support 9,0/13,0 | | 1 | | | | | | | |
| 20 | 997 347 544 00 | support | | 1 | | | | | | | |

| | | | | | | | | | | | |
|-------|------|----|----|--------------|--------------|-----|-------|------------|---------|-----|---------|
| Model | Year | MG | SG | Illustration | Restrictions | UPD | 19:51 | 24.01.2010 | PORSCHE | PET | PORSCHE |
| 996T | 2005 | 4 | 03 | 403-03 | | 248 | | | | | |

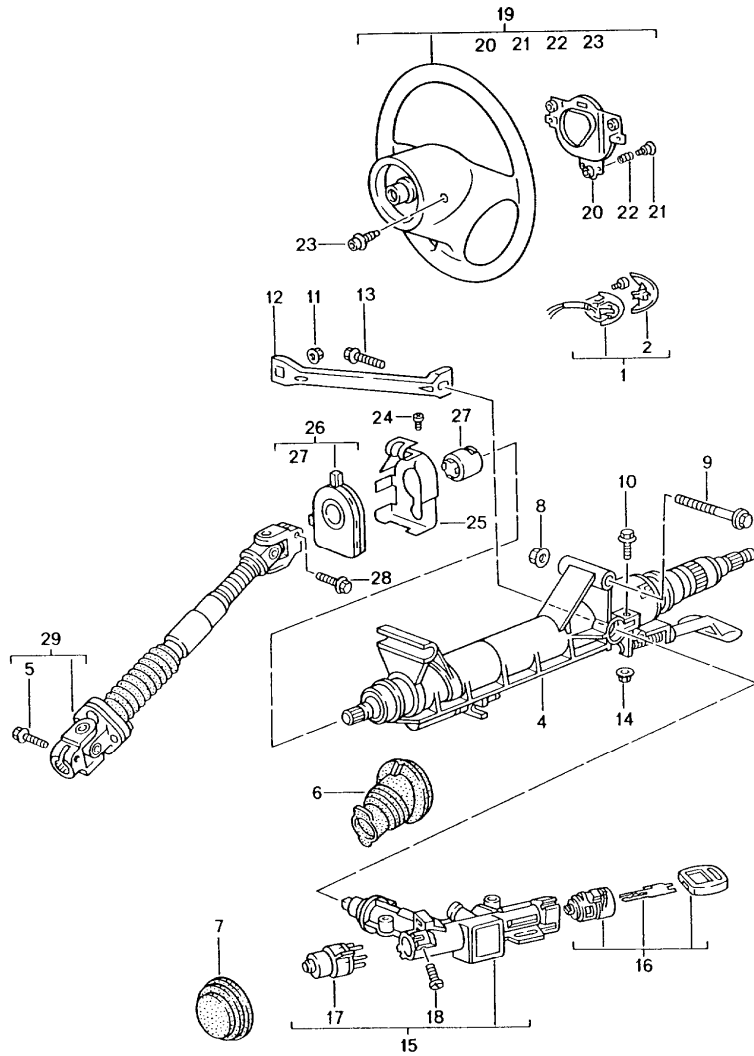


| Pos | Part Number | Description | Remark | Qty | Model |
|------|------------------|--|--------|-----|-------|
| | | power steering power-steering pump container | | | |
| 1 | > 996 314 050 51 | power-steering pump | | 1 | M249 |
| (1) | > 996 314 050 51 | power-steering pump | | 1 | GT2 |
| (1) | > 996 314 040 01 | power-steering pump | | 1 | M480 |
| (1) | > 997 314 040 00 | power-steering pump | | 1 | M480 |
| 2 | 996 314 431 52 | bracket | | 1 | M249 |
| (2) | 996 314 431 32 | bracket | | 1 | M480 |
| (2) | 996 314 431 53 | bracket | | 1 | GT2 |
| 3 | 996 314 091 03 | bracket | | 1 | |
| 4 | 900 378 074 09 | hexagon-head bolt M 8 X 16 | | 2 | M249 |
| (4) | 900 378 074 09 | hexagon-head bolt M 8 X 16 | | 1 | M480 |
| 5 | 999 707 298 40 | o-ring | | 1 | |
| 6 | 996 106 802 10 | retainer spring | | 1 | |
| 7 | 900 378 022 09 | hexagon-head bolt M 8 X 25 | | 3 | |
| 8 | 900 378 078 09 | hexagon-head bolt M 6 X 80 | | 1 | M249 |
| (8) | 900 378 078 09 | hexagon-head bolt M 6 X 80 | | 2 | M480 |
| 9 | 996 347 643 52 | pressure line | 01 | 1 | |
| - | 999 707 355 40 | sealing ring 7,65 x 1,65 | | 1 | |
| (9) | 996 347 643 53 | pressure line | 02- | 1 | |
| - | 999 707 503 40 | sealing ring 7,8 x 1,7 | | 1 | |
| 10 | 900 378 035 01 | hexagon-head bolt M 6 X 16 | | 1 | |
| 11 | 996 314 220 51 | container | 01 | 1 | M249 |
| (11) | 996 314 920 53 | container | 02- | 1 | M249 |
| (11) | 996 314 220 31 | container | 01 | 1 | M480 |

| | | | | | | | | | | | |
|-------|------|----|----|--------------|--------------|-----|-------|------------|---------|-----|---------|
| Model | Year | MG | SG | Illustration | Restrictions | UPD | 19:51 | 24.01.2010 | PORSCHE | PET | PORSCHE |
| 996T | 2005 | 4 | 03 | 403-03 | | 248 | | | | | |

| Pos | Part Number | Description | Remark | Qty | Model | Pos | Part Number | Description | Remark | Qty | Model |
|------|------------------|-------------------------------|--------|-----|-------|-----|-------------|-------------|--------|-----|-------|
| (11) | U 996 314 920 33 | container | | 1 | M480 | | | | | | |
| (11) | 996 314 920 34 | container | -02 | 1 | M480 | | | | | | |
| (11) | 997 314 920 30 | container | | 1 | M480 | | | | | | |
| (11) | A 996 314 920 53 | container | | 1 | GT2 | | | | | | |
| (11) | 997 314 920 50 | container | | 1 | GT2 | | | | | | |
| - | 996 314 331 00 | drip pan for pentosin | | 1 | | | | | | | |
| - | 811 611 797 | support | | 1 | M480 | | | | | | |
| 12 | 996 314 223 51 | lid | | 1 | | | | | | | |
| - | 999 701 154 40 | sealing ring 33 X 2,4 | | 1 | | | | | | | |
| 13 | 996 147 223 71 | pulley | | 1 | | | | | | | |
| 14 | 900 378 123 09 | hexagon-head bolt M 8 X 12 | | 3 | | | | | | | |
| 15 | 999 707 204 40 | sealing ring 12.5 X 2N | | 1 | | | | | | | |
| 16 | 996 314 269 02 | pressure line | | 1 | M480 | | | | | | |
| | | | | 1 | GT2 | | | | | | |
| - | 000 043 203 33 | pentosin 1000 ML | | X | | | | | | | |

| | | | | | | | | | | | |
|-------|------|----|----|--------------|--------------|-----|-------|------------|---------|-----|---------|
| Model | Year | MG | SG | Illustration | Restrictions | UPD | 19:51 | 24.01.2010 | PORSCHE | PET | PORSCHE |
| 996T | 2005 | 4 | 03 | 403-05 | | 248 | | | | | |



| Pos | Part Number | Description | Remark | Qty | Model |
|-----|----------------|---|--------|-----|---------------|
| 1 | 996 347 831 00 | steering outer tube steering shaft steering wheels | | 1 | TURBO M249 |
| 2 | 996 347 835 00 | switch | /L | 1 | TURBO M249 |
| | 01C | black | | | |
| (3) | 996 347 836 00 | lever | /R | 1 | TURBO M249 |
| | 01C | black | | | |
| 4 A | 996 347 007 06 | steering column complete with steering shaft see technical manual group 4 NR.45.... | -02 | 1 | TURBO |
| (4) | 996 347 007 07 | steering column complete with steering shaft | 03- | 1 | TURBO |
| (4) | 996 347 007 05 | steering column complete with steering shaft | | 1 | GT2 |
| 5 | 999 217 042 09 | hexagon-head tapping screw M 8 X 35 | | 1 | |
| 6 | 986 347 037 01 | bellows | | 1 | |
| 7 | 996 347 339 02 | rubber seal | | 1 | |
| 8 A | 900 380 008 09 | hexagon nut M 10 | | 1 | |
| 8 | 900 380 008 01 | hexagon nut M 10 | | 1 | |
| 9 | 900 378 095 09 | hexagon-head bolt M 10 X 100 | | 1 | |
| 10 | 900 378 157 09 | hexagon-head bolt AM 6 X 25 | | 1 | |
| 11 | 999 076 055 09 | hexagon nut M 8 | | 1 | |

| | | | | | | | | | | | |
|-------|------|----|----|--------------|--------------|-----|-------|------------|---------|-----|---------|
| Model | Year | MG | SG | Illustration | Restrictions | UPD | 19:51 | 24.01.2010 | PORSCHE | PET | PORSCHE |
| 996T | 2005 | 4 | 03 | 403-05 | | 248 | | | | | |

| Pos | Part Number | Description | Remark | Qty | Model | Pos | Part Number | Description | Remark | Qty | Model |
|------|----------------|--|--------|-----|---------|------|----------------|------------------------|--------|-----|-----------|
| 12 | 996 347 243 01 | strut | | 1 | | | VTB | dark grey/natural | | | |
| 13 | 900 378 055 09 | hexagon-head bolt AM 8 X 40 | | 1 | | | VTL | brown/natural | | | |
| 14 | 900 377 002 02 | hexagon nut M 6 | | 1 | | (19) | 996 347 804 54 | steering wheel | | 1 | GT2 |
| 15 | 996 347 017 06 | steering lock housing | -03 | 1 | | | A28 | black | | | |
| (15) | 996 347 017 07 | steering lock housing see technical information group 2 NR.2/03 | 04- | 1 | | | D11 | dark grey/natural | 02- | | |
| 16 | 996 347 917 00 | lock cylinder with stipulated lock number | -01 | 1 | | (19) | T11 | brown/natural | 02- | | |
| (16) | 996 347 917 01 | lock cylinder with stipulated lock number | 02- | 1 | | | 996 347 983 00 | 3-spoke steering wheel | | 1 | IXPA/M480 |
| (16) | 996 347 915 00 | lock cylinder w/o stipulated lock number | -01 | 1 | | | A28 | black | | | |
| (16) | 996 347 915 01 | lock cylinder w/o stipulated lock number | 02- | 1 | | | C60 | graphite grey | | | |
| 17 | 4A0 905 849 B | ignition starter switch | -03 | 1 | | | S40 | savanna | | | |
| (17) | 4B0 905 849 | ignition starter switch see technical information group 2 NR.2/03 | 04- | 1 | | | G30 | metropole blue | | | |
| 18 | 996 347 901 00 | slotted screw | | 2 | | | J40 | nephrite green | -03 | | |
| 19 | 996 347 804 54 | steering wheel | | 1 | TURBO | | M40 | boxster red | | | |
| | A28 | black | | | | | P20 | cinnamon brown | | | |
| | C60 | graphite grey | | | | (19) | D11 | dark grey/natural | | | |
| | G30 | metropole blue | | | | | T11 | brown/natural | | | |
| | S40 | savanna | | | | | 996 347 983 04 | 3-spoke steering wheel | | 1 | IXPB/M480 |
| | M40 | boxster red | | | | | A28 | black | | | |
| | J40 | nephrite green | -03 | | | | C60 | graphite grey | | | |
| | D11 | dark grey/natural | | | | | S40 | savanna | | | |
| | T11 | brown/natural | | | | | G30 | metropole blue | | | |
| | P20 | cinnamon brown | | | | | J40 | nephrite green | -03 | | |
| (19) | 996 347 804 57 | steering wheel | 05- | 1 | TURBO S | | M40 | boxster red | | | |
| | | | | | | | P20 | cinnamon brown | | | |
| | | | | | | | D11 | dark grey/natural | | | |
| | | | | | | (19) | T11 | brown/natural | | | |
| | | | | | | | 996 347 983 10 | 3-spoke steering wheel | | 1 | IXPC/M480 |
| | | | | | | | A28 | black | | | |
| | | | | | | | C60 | graphite grey | | | |

| | | | | | | | | | | | |
|-------|------|----|----|--------------|--------------|-----|-------|------------|---------|-----|---------|
| Model | Year | MG | SG | Illustration | Restrictions | UPD | 19:51 | 24.01.2010 | PORSCHE | PET | PORSCHE |
| 996T | 2005 | 4 | 03 | 403-05 | | 248 | | | | | |

| Pos | Part Number | Description | Remark | Qty | Model | Pos | Part Number | Description | Remark | Qty | Model |
|------|----------------|------------------------|--------|-----|------------------|------|----------------|---------------------------|--------|-----|------------------|
| | S40 | savanna | | | | | A28 | black | | | |
| | G30 | metropole blue | | | | | D11 | dark grey/natural | 02- | | |
| | J40 | nephrite green | -03 | | | | T11 | brown/natural | 02- | | |
| | M40 | boxster red | | | | (19) | 996 347 983 12 | 3-spoke steering wheel | | 1 | IXPD/M480 GT2 |
| | P20 | cinnamon brown | | | | | A28 | black | | | |
| | D11 | dark grey/natural | | | | | D11 | dark grey/natural | 02- | | |
| | T11 | brown/natural | | | | | T11 | brown/natural | 02- | | |
| (19) | 996 347 983 12 | 3-spoke steering wheel | | 1 | IXPD/M480 | (19) | 996 347 983 28 | 3-spoke steering wheel | 03- | 1 | IXPG/M480 GT2 |
| | A28 | black | | | | | A28 | black | | | |
| | C60 | graphite grey | | | | | D11 | dark grey/natural | | | |
| | S40 | savanna | | | | | T11 | brown/natural | | | |
| | G30 | metropole blue | | | | (19) | 993 347 981 01 | four-spoke steering wheel | 01 | 1 | /X26 M480 |
| | J40 | nephrite green | -03 | | | | A28 | black | | | |
| | M40 | boxster red | | | | | C60 | graphite grey | | | |
| | P20 | cinnamon brown | | | | | S40 | savanna | | | |
| | D11 | dark grey/natural | | | | | G30 | metropole blue | | | |
| | T11 | brown/natural | | | | | J40 | nephrite green | | | |
| (19) | 996 347 983 28 | 3-spoke steering wheel | 03- | 1 | IXPG/M480 | | M40 | boxster red | | | |
| | A28 | black | | | | | P20 | cinnamon brown | | | |
| | C60 | graphite grey | | | | | D11 | dark grey/natural | | | |
| | S40 | savanna | | | | | T11 | brown/natural | | | |
| | G30 | metropole blue | | | | (19) | 993 347 981 07 | four-spoke steering wheel | 01 | 1 | /X77 M480 |
| | J40 | nephrite green | -03 | | | | A28 | black | | | |
| | M40 | boxster red | | | | | C60 | graphite grey | | | |
| | P20 | cinnamon brown | | | | | S40 | savanna | | | |
| | D11 | dark grey/natural | | | | | G30 | metropole blue | | | |
| | T11 | brown/natural | | | | | J40 | nephrite green | | | |
| (19) | 996 347 983 00 | 3-spoke steering wheel | | 1 | IXPA/M480 GT2 | | | | | | |

| | | | | | | | | | | | |
|-------|------|----|----|--------------|--------------|-----|-------|------------|---------|-----|---------|
| Model | Year | MG | SG | Illustration | Restrictions | UPD | 19:51 | 24.01.2010 | PORSCHE | PET | PORSCHE |
| 996T | 2005 | 4 | 03 | 403-05 | | 248 | | | | | |

| Pos | Part Number | Description | Remark | Qty | Model | Pos | Part Number | Description | Remark | Qty | Model |
|------|----------------|---------------------------|--------|-----|--------------|------|----------------|------------------------|--------|-----|-----------|
| | M40 | boxster red | | | | | S40 | savanna | | | |
| | P20 | cinnamon brown | | | | | M40 | boxster red | | | |
| | D11 | dark grey/natural | | | | | J40 | nephrite green | -03 | | |
| | T11 | brown/natural | | | | | D11 | dark grey/natural | | | |
| (19) | 996 347 981 01 | four-spoke steering wheel | 01 | 1 | /X28 M480 | | T11 | brown/natural | | | |
| | A28 | black | | | | (19) | 996 347 804 67 | steering wheel | 05- | 1 | TURBO S |
| | C60 | graphite grey | | | | | VTB | dark grey/natural | | | |
| | S40 | savanna | | | | | VTL | brown/natural | | | |
| | G30 | metropole blue | | | | (19) | 996 347 983 01 | 3-spoke steering wheel | | 1 | IXPA/M249 |
| | J40 | nephrite green | | | | | A28 | black | | | |
| | M40 | boxster red | | | | | C60 | graphite grey | | | |
| | P20 | cinnamon brown | | | | | S40 | savanna | | | |
| | D11 | dark grey/natural | | | | | G30 | metropole blue | | | |
| | T11 | brown/natural | | | | | J40 | nephrite green | -03 | | |
| (19) | 996 347 981 03 | four-spoke steering wheel | 01 | 1 | /X30 M480 | | M40 | boxster red | | | |
| | A28 | black | | | | | P20 | cinnamon brown | | | |
| | C60 | graphite grey | | | | | D11 | dark grey/natural | | | |
| | S40 | savanna | | | | | T11 | brown/natural | | | |
| | G30 | metropole blue | | | | (19) | 996 347 983 05 | 3-spoke steering wheel | | 1 | IXPB/M249 |
| | J40 | nephrite green | | | | | A28 | black | | | |
| | M40 | boxster red | | | | | C60 | graphite grey | | | |
| | P20 | cinnamon brown | | | | | S40 | savanna | | | |
| | D11 | dark grey/natural | | | | | G30 | metropole blue | | | |
| | T11 | brown/natural | | | | | J40 | nephrite green | -03 | | |
| (19) | 996 347 804 64 | steering wheel | | 1 | TURBO | | M40 | boxster red | | | |
| | A28 | black | | | | | P20 | cinnamon brown | | | |
| | C60 | graphite grey | | | | | D11 | dark grey/natural | | | |
| | G30 | metropole blue | | | | | T11 | brown/natural | | | |

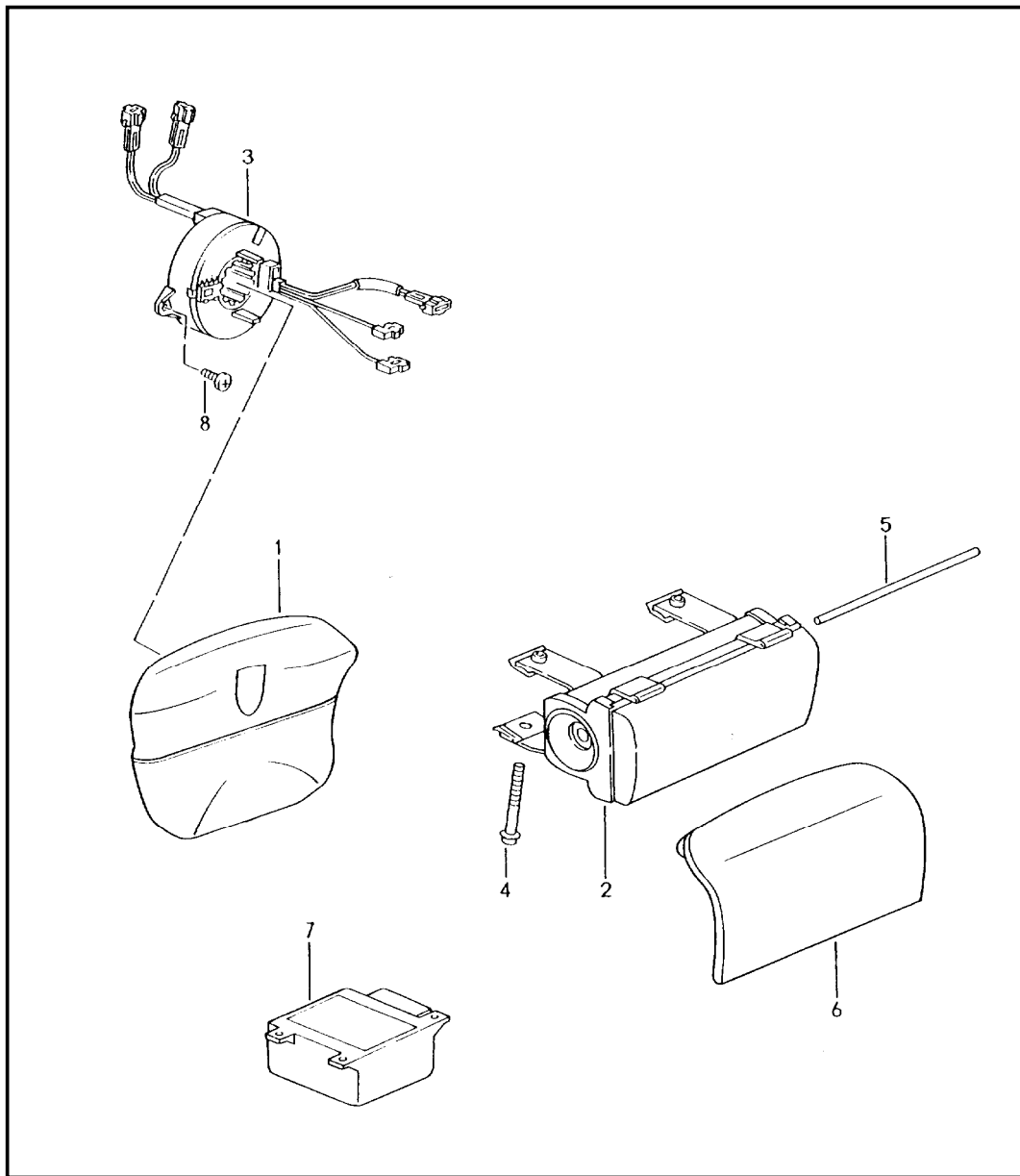
| | | | | | | | | | | | |
|-------|------|----|----|--------------|--------------|-----|-------|------------|---------|-----|---------|
| Model | Year | MG | SG | Illustration | Restrictions | UPD | 19:51 | 24.01.2010 | PORSCHE | PET | PORSCHE |
| 996T | 2005 | 4 | 03 | 403-05 | | 248 | | | | | |

| Pos | Part Number | Description | Remark | Qty | Model | Pos | Part Number | Description | Remark | Qty | Model |
|------|----------------|------------------------|--------|-----|-----------|------|----------------|---------------------------|--------|-----|--------------|
| (19) | 996 347 983 11 | 3-spoke steering wheel | | 1 | IXPC/M249 | | T11 | brown/natural | | | |
| | A28 | black | | | | (19) | 993 347 981 02 | four-spoke steering wheel | 01 | 1 | /X26 M249 |
| | C60 | graphite grey | | | | | A28 | black | | | |
| | S40 | savanna | | | | | C60 | graphite grey | | | |
| | G30 | metropole blue | | | | | S40 | savanna | | | |
| | J40 | nephrite green | -03 | | | | G30 | metropole blue | | | |
| | M40 | boxster red | | | | | J40 | nephrite green | | | |
| | P20 | cinnamon brown | | | | | M40 | boxster red | | | |
| | D11 | dark grey/natural | | | | | P20 | cinnamon brown | | | |
| | T11 | brown/natural | | | | | D11 | dark grey/natural | | | |
| (19) | 996 347 983 13 | 3-spoke steering wheel | | 1 | IXPD/M249 | | T11 | brown/natural | | | |
| | A28 | black | | | | (19) | 993 347 981 08 | four-spoke steering wheel | 01 | 1 | /X77 M249 |
| | C60 | graphite grey | | | | | A28 | black | | | |
| | S40 | savanna | | | | | C60 | graphite grey | | | |
| | G30 | metropole blue | | | | | S40 | savanna | | | |
| | J40 | nephrite green | -03 | | | | G30 | metropole blue | | | |
| | M40 | boxster red | | | | | J40 | nephrite green | | | |
| | P20 | cinnamon brown | | | | | M40 | boxster red | | | |
| | D11 | dark grey/natural | | | | | P20 | cinnamon brown | | | |
| | T11 | brown/natural | | | | | D11 | dark grey/natural | | | |
| (19) | 996 347 983 29 | 3-spoke steering wheel | 03- | 1 | IXPG/M249 | | T11 | brown/natural | | | |
| | A28 | black | | | | (19) | 996 347 981 02 | four-spoke steering wheel | 01 | 1 | /X28 M249 |
| | C60 | graphite grey | | | | | A28 | black | | | |
| | S40 | savanna | | | | | C60 | graphite grey | | | |
| | G30 | metropole blue | | | | | S40 | savanna | | | |
| | J40 | nephrite green | -03 | | | | G30 | metropole blue | | | |
| | M40 | boxster red | | | | | J40 | nephrite green | | | |
| | P20 | cinnamon brown | | | | | | | | | |
| | D11 | dark grey/natural | | | | | | | | | |

| | | | | | | | | | | | |
|-------|------|----|----|--------------|--------------|-----|-------|------------|---------|-----|---------|
| Model | Year | MG | SG | Illustration | Restrictions | UPD | 19:51 | 24.01.2010 | PORSCHE | PET | PORSCHE |
| 996T | 2005 | 4 | 03 | 403-05 | | 248 | | | | | |

| Pos | Part Number | Description | Remark | Qty | Model | Pos | Part Number | Description | Remark | Qty | Model |
|------|----------------|---|--------|-----|--------------|------|----------------|---|--------|-----|-------|
| | M40 | boxster red | | | | 26 | 996 606 109 02 | steering-angle sensor see technical manual group 4 NR.45.... | -02 | 1 | TURBO |
| | P20 | cinnamon brown | | | | | | | | | |
| | D11 | dark grey/natural | | | | (26) | 996 606 119 00 | steering-angle sensor | 03- | 1 | TURBO |
| | T11 | brown/natural | | | | - | 996 610 123 00 | cable guide for steering-angle sensor | -02 | 1 | TURBO |
| (19) | 996 347 981 04 | four-spoke steering wheel | 01 | 1 | /X30 M249 | - | 996 610 123 01 | cable guide for steering-angle sensor | 03- | 1 | TURBO |
| | A28 | black | | | | 27 | 996 347 705 00 | adapter | | 1 | TURBO |
| | C60 | graphite grey | | | | 28 | 999 217 042 09 | hexagon-head bolt M 8 X 35 | | 1 | |
| | S40 | savanna | | | | 29 | 996 347 023 00 | steering shaft | | 1 | |
| | G30 | metropole blue | | | | | | | | | |
| | J40 | nephrite green | | | | | | | | | |
| | M40 | boxster red | | | | | | | | | |
| | P20 | cinnamon brown | | | | | | | | | |
| | D11 | dark grey/natural | | | | | | | | | |
| | T11 | brown/natural | | | | | | | | | |
| | | mount steering wheel steering shaft | | | | | | | | | |
| - | N 012 238 1 | spring washer B 16 | | 1 | | | | | | | |
| - | 900 078 006 01 | hexagon nut M 16 X 1,5 | | 1 | | | | | | | |
| 20 | 996 347 880 02 | mounting plate | | 1 | | | | | | | |
| 21 | 999 073 184 02 | round head screw M 5 X 18,7 | | 3 | | | | | | | |
| 22 | 999 521 079 02 | compression spring | | 3 | | | | | | | |
| 23 | 999 073 183 02 | pan-head screw M 6 X 10,5 | | 2 | | | | | | | |
| 24 | U | oval-head screw M 3 X 5 | | 3 | TURBO | | | | | | |
| 25 | 996 347 617 00 | cover plate | | 1 | TURBO | | | | | | |

| | | | | | | | | | | | |
|-------|------|----|----|--------------|--------------|-----|-------|------------|---------|-----|---------|
| Model | Year | MG | SG | Illustration | Restrictions | UPD | 19:51 | 24.01.2010 | PORSCHE | PET | PORSCHE |
| 996T | 2005 | 4 | 03 | 403-06 | | 248 | | | | | |



| Pos | Part Number | Description | Remark | Qty | Model |
|-----|----------------|--|--------|-----|-------|
| 1 | 996 803 089 05 | airbag airbag unit 3-spoke steering wheel leather | | 1 | TURBO |
| | A08 | black | | | |
| | A28 | black | | | |
| | C56 | graphite grey | | | |
| | C60 | graphite grey | | | |
| | S36 | savanna | | | |
| | S40 | savanna | | | |
| | G16 | metropole blue | | | |
| | G30 | metropole blue | | | |
| | J36 | nephrite green | | | |
| | J40 | nephrite green | -03 | | |
| | M36 | boxster red | | | |
| | M40 | boxster red | | | |
| | D11 | dark grey/natural | | | |
| | T11 | brown/natural | | | |
| | P16 | cinnamon brown | | | |
| | P20 | cinnamon brown | | | |
| (1) | 996 803 089 05 | airbag unit 3-spoke steering wheel leather | -02 | 1 | GT2 |
| | A28 | black | | | |
| | D11 | dark grey/natural | 02 | | |
| | T11 | brown/natural | 02 | | |
| (1) | 996 803 089 02 | airbag unit 3-spoke steering wheel plastic material | 03- | 1 | GT2 |
| | A28 | black | | | |
| | D11 | dark grey/natural | | | |
| | T11 | brown/natural | | | |

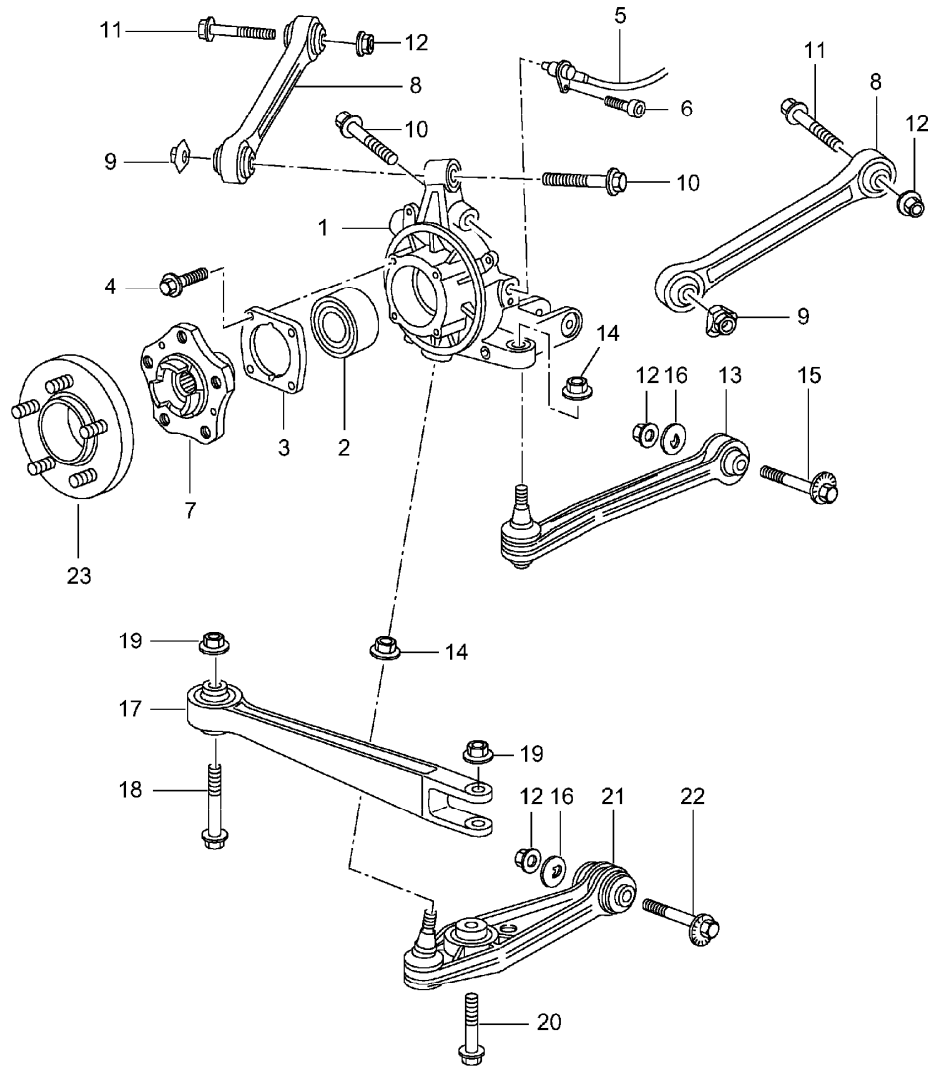
| | | | | | | | | | | | |
|-------|------|----|----|--------------|--------------|-----|-------|------------|---------|-----|---------|
| Model | Year | MG | SG | Illustration | Restrictions | UPD | 19:51 | 24.01.2010 | PORSCHE | PET | PORSCHE |
| 996T | 2005 | 4 | 03 | 403-06 | | 248 | | | | | |

| Pos | Part Number | Description | Remark | Qty | Model | Pos | Part Number | Description | Remark | Qty | Model |
|-----|----------------|--|--------|-----|------------------------------|-------|----------------|--|--------|-----|-------|
| (1) | 996 803 980 01 | airbag unit 3-spoke steering wheel leather crest coloured | 03- | 1 | IXPA/XPB IXPC/XPD IXPG | | D11 | dark grey/natural | | | |
| | A28 | black | | | | | T11 | brown/natural | | | |
| | C60 | graphite grey | | | | 2 A | 996 803 071 06 | airbag unit | -01 | 1 | |
| | S40 | savanna | | | | (2) A | 996 803 071 07 | airbag unit see technical information GR.6 NR.2/03 | -03 | 1 | |
| | G30 | metropole blue | | | | (2) | 996 803 071 08 | airbag unit see technical information GR.6 NR.2/03 | 03- | 1 | |
| | J40 | nephrite green | -03 | | | - | 996 803 091 00 | airbag unit | /L | 1 | M563 |
| | M40 | boxster red | | | | - | 996 803 092 00 | airbag unit | /R | 1 | M563 |
| | P20 | cinnamon brown | | | | - | 900 378 222 09 | hexagon-head bolt M 6 X 16 | | 8 | M563 |
| | D11 | dark grey/natural | | | | 3 | 996 652 211 00 | support for contact | | 1 | M480 |
| | T11 | brown/natural | | | | (3) | 996 652 213 00 | support for contact | | 1 | M249 |
| (1) | 996 803 980 01 | airbag unit 3-spoke steering wheel leather crest coloured | 03- | 1 | GT2 IXPA IXPD IXPG | 4 | 900 378 137 09 | hexagon-head bolt AM 8 X 95 | | 2 | |
| | A28 | black | | | | 5 | 996 803 611 00 | hinge pin | | 1 | |
| | D11 | dark grey/natural | 02- | | | 6 | 996 803 173 05 | lid leather | | 1 | TURBO |
| | T11 | brown/natural | 02- | | | | A11 | black | | | |
| (1) | 996 803 980 02 | airbag unit four-spoke steering wheel leather crest embossed | 01 | 1 | X26/X28 X30/X77 | | C51 | graphite grey | | | |
| | A28 | black | | | | | S31 | savanna | | | |
| | C60 | graphite grey | | | | | G11 | metropole blue | | | |
| | S40 | savanna | | | | | J31 | nephrite green | -03 | | |
| | G30 | metropole blue | | | | | M31 | boxster red | | | |
| | J40 | nephrite green | | | | | P12 | cinnamon brown | | | |
| | M40 | boxster red | | | | | D12 | dark grey/natural | | | |
| | P20 | cinnamon brown | | | | | T12 | brown/natural | | | |
| | | | | | | (6) | 996 803 173 05 | lid leather | | 1 | GT2 |
| | | | | | | | A11 | black | | | |
| | | | | | | | D12 | dark grey/natural | 02- | | |

| | | | | | | | | | | | |
|-------|------|----|----|--------------|--------------|-----|-------|------------|---------|-----|---------|
| Model | Year | MG | SG | Illustration | Restrictions | UPD | 19:51 | 24.01.2010 | PORSCHE | PET | PORSCHE |
| 996T | 2005 | 4 | 03 | 403-06 | | 248 | | | | | |

| Pos | Part Number | Description | Remark | Qty | Model | Pos | Part Number | Description | Remark | Qty | Model |
|-----|----------------|-----------------------------|--------|-----|----------|-----|-------------|-------------|--------|-----|-------|
| | T12 | brown/natural | 02- | | | | | | | | |
| (7) | 996 618 219 01 | switch unit | -02 | 1 | M562/563 | | | | | | |
| (7) | 996 618 219 02 | switch unit | 04- | 1 | M562/563 | | | | | | |
| - | 900 377 010 09 | nut M 6 | | 1 | M562/563 | | | | | | |
| - | 944 618 401 00 | nut M 6 | | 2 | M562/563 | | | | | | |
| - | 996 618 221 00 | sensor airbag | -01 | 2 | M563 | | | | | | |
| - | 996 618 221 01 | sensor airbag | 02- | 2 | M563 | | | | | | |
| - | 999 073 152 09 | oval-head screw M 6 X 18 | | 4 | M563 | | | | | | |
| 8 | 900 146 024 07 | oval-head screw M 5 X 8 | | 2 | | | | | | | |

| | | | | | | | | | | | |
|-------|------|----|----|--------------|--------------|-----|-------|------------|---------|-----|---------|
| Model | Year | MG | SG | Illustration | Restrictions | UPD | 19:51 | 24.01.2010 | PORSCHE | PET | PORSCHE |
| 996T | 2005 | 5 | 01 | 501-00 | | 248 | | | | | |

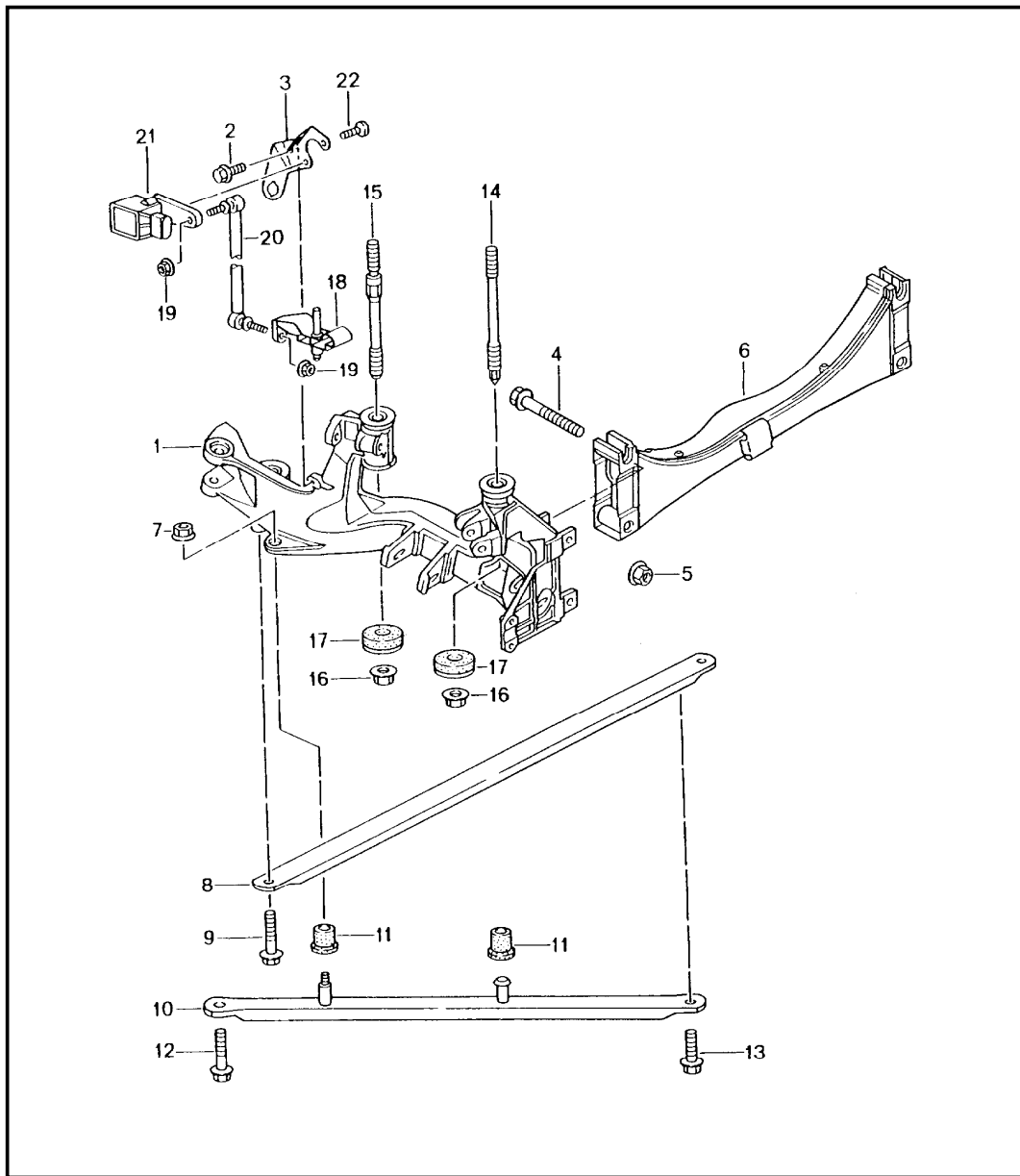


| Pos | Part Number | Description | Remark | Qty | Model |
|------|----------------|--|--------|-----|-------|
| | | rear axle wheel carrier control arm wheel hub | | | |
| 1 | 996 331 111 06 | wheel carrier | /L | 1 | |
| (1) | 996 331 112 06 | wheel carrier | /R | 1 | |
| 2 | 999 053 055 02 | angular-contact bearing | | 2 | |
| 3 | 996 331 661 01 | lid | | 2 | |
| 4 | 999 217 042 09 | hexagon-head bolt M 8 X 35 | | 8 | |
| 5 | 996 606 406 00 | speed sensor | -03 | 2 | |
| (5) | 996 606 407 02 | speed sensor | 04- | 2 | |
| 6 | 900 067 117 09 | pan-head screw M 6 X 16 | | 2 | |
| 7 A | 996 331 605 04 | wheel hub | | 2 | |
| (7) | 997 331 605 00 | wheel hub | | 2 | |
| 8 | 996 331 047 02 | wishbone | -01 | 2 | |
| (8) | 996 331 047 03 | wishbone | -03 | 2 | |
| (8) | 996 331 047 05 | wishbone | 04- | 2 | |
| 9 | 999 084 452 09 | hexagon nut M 12 X 1,5 | | 4 | |
| 10 A | 900 378 139 09 | hexagon-head bolt M 12 X 80 | | 4 | |
| 10 | 900 378 139 01 | hexagon-head bolt M 12 X 80 | | 4 | |
| 11 | 900 378 088 09 | hexagon-head bolt M 12 X 100 | | 4 | |
| 12 | 999 084 445 09 | hexagon nut M 12 X 1,5 | | 10 | |
| 13 A | 996 331 045 12 | track rod | | 1 | |
| (13) | 997 331 045 04 | track rod | | 1 | |
| 14 | 999 084 449 09 | hexagon nut M 12 X 1,5 | | 4 | |
| 15 | 996 331 217 02 | eccentric screw M 12 X 83 | | 2 | TURBO |

| | | | | | | | | | | | |
|-------|------|----|----|--------------|--------------|-----|-------|------------|---------|-----|---------|
| Model | Year | MG | SG | Illustration | Restrictions | UPD | 19:51 | 24.01.2010 | PORSCHE | PET | PORSCHE |
| 996T | 2005 | 5 | 01 | 501-00 | | 248 | | | | | |

| Pos | Part Number | Description | Remark | Qty | Model | Pos | Part Number | Description | Remark | Qty | Model |
|------|------------------|--|--------|-----|----------------|-----|-------------|-------------|--------|-----|-------|
| (15) | 993 331 217 80 | eccentric screw M 12 X 83 | | 2 | GT2 | | | | | | |
| 16 | 996 331 219 00 | eccentric washer | | 2 | TURBO | | | | | | |
| (16) | 993 331 219 80 | eccentric washer | | 2 | GT2 | | | | | | |
| 17 | A 996 341 043 03 | control arm | | 2 | | | | | | | |
| (17) | 996 341 043 06 | control arm | | 2 | | | | | | | |
| 18 | 900 378 051 09 | hexagon-head bolt M 14 X 100 | | 2 | | | | | | | |
| 19 | A 900 380 012 09 | hexagon nut M 14 X 1,5 | | 4 | | | | | | | |
| 19 | 900 380 012 01 | hexagon nut M 14 X 1,5 | | 4 | | | | | | | |
| 20 | A 900 378 135 09 | hexagon-head bolt M 14 X 75 | | 2 | | | | | | | |
| 20 | 900 378 135 01 | hexagon-head bolt M 14 X 75 | | 2 | | | | | | | |
| 21 | A 996 341 053 14 | wishbone | -03 | 2 | | | | | | | |
| (21) | 996 341 053 16 | wishbone | 04- | 2 | | | | | | | |
| - | A 996 331 493 90 | spoiler wishbone | /L | 1 | GT2 | | | | | | |
| - | 996 331 127 90 | spoiler wishbone | /L | 1 | GT2 | | | | | | |
| - | U 996 331 533 90 | rubber lip spoiler | /L | 1 | GT2 | | | | | | |
| - | A 996 331 494 90 | spoiler wishbone | /R | 1 | GT2 | | | | | | |
| - | 996 331 128 90 | spoiler wishbone | /R | 1 | GT2 | | | | | | |
| - | U 996 331 534 90 | rubber lip spoiler | /R | 1 | GT2 | | | | | | |
| 22 | 996 331 217 03 | eccentric screw | | 2 | | | | | | | |
| 23 | 996 361 617 00 | spacer ring 17 MM with wheel bolt | 02- | 2 | /TURBO IXRN | | | | | | |

| | | | | | | | | | | | |
|-------|------|----|----|--------------|--------------|-----|-------|------------|---------|-----|---------|
| Model | Year | MG | SG | Illustration | Restrictions | UPD | 19:52 | 24.01.2010 | PORSCHE | PET | PORSCHE |
| 996T | 2005 | 5 | 01 | 501-01 | | 248 | | | | | |

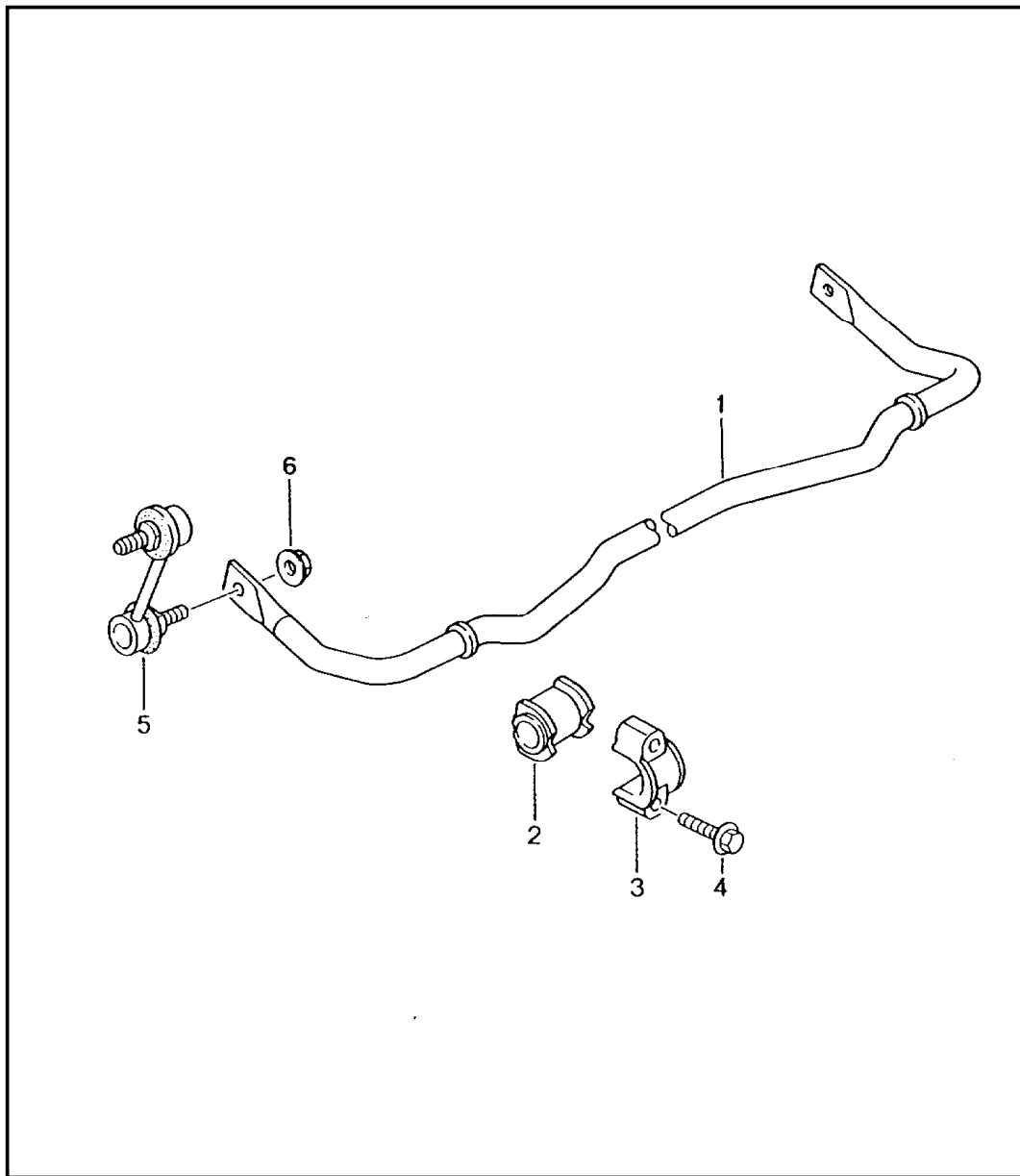


| Pos | Part Number | Description | Remark | Qty | Model |
|-------|----------------|---|--------|-----|-------|
| | | rear axle side section bracket | | | |
| (1) | 996 331 055 01 | side section | /L | 1 | TURBO |
| (1) | 996 331 056 01 | side section | /R | 1 | TURBO |
| (1) K | 996 331 055 90 | side section | /L | 1 | GT2 |
| (1) K | 996 331 056 90 | side section | /R | 1 | GT2 |
| 2 | 900 067 117 09 | combination screw M 6 X 16 | | 2 | |
| 3 | 996 355 505 04 | support for brake hose | /L | 1 | M601 |
| (3) | 996 355 506 02 | support for brake hose F >>994S6 80654 F >>994S6 70658 F >>994S6 95107 | /R | 1 | |
| (3) | 997 355 506 02 | support for brake hose F 994S6 80654>> F 994S6 70659>> F 994S6 95108>> F 994S6 65255>> F 994S6 76216>> F 994S6 96075>> | /R | 1 | |
| 4 A | 900 378 139 09 | combination screw M 12 X 80 | | 4 | |
| 4 | 900 378 139 01 | combination screw M 12 X 80 | | 4 | |
| 5 | 999 084 445 09 | hexagon nut M 12 X 1,5 | | 4 | |
| 6 A | 996 331 061 00 | cross member | -03 | 1 | TURBO |
| (6) | 996 331 061 01 | cross member | 04- | 1 | TURBO |
| (6) A | 996 331 261 07 | cross member | 01 | 1 | GT2 |
| (6) | 997 331 261 02 | cross member | 02- | 1 | GT2 |
| 7 | 999 076 053 09 | hexagon nut M 10 | | 2 | |

| | | | | | | | | | | | |
|-------|------|----|----|--------------|--------------|-----|-------|------------|---------|-----|---------|
| Model | Year | MG | SG | Illustration | Restrictions | UPD | 19:52 | 24.01.2010 | PORSCHE | PET | PORSCHE |
| 996T | 2005 | 5 | 01 | 501-01 | | 248 | | | | | |

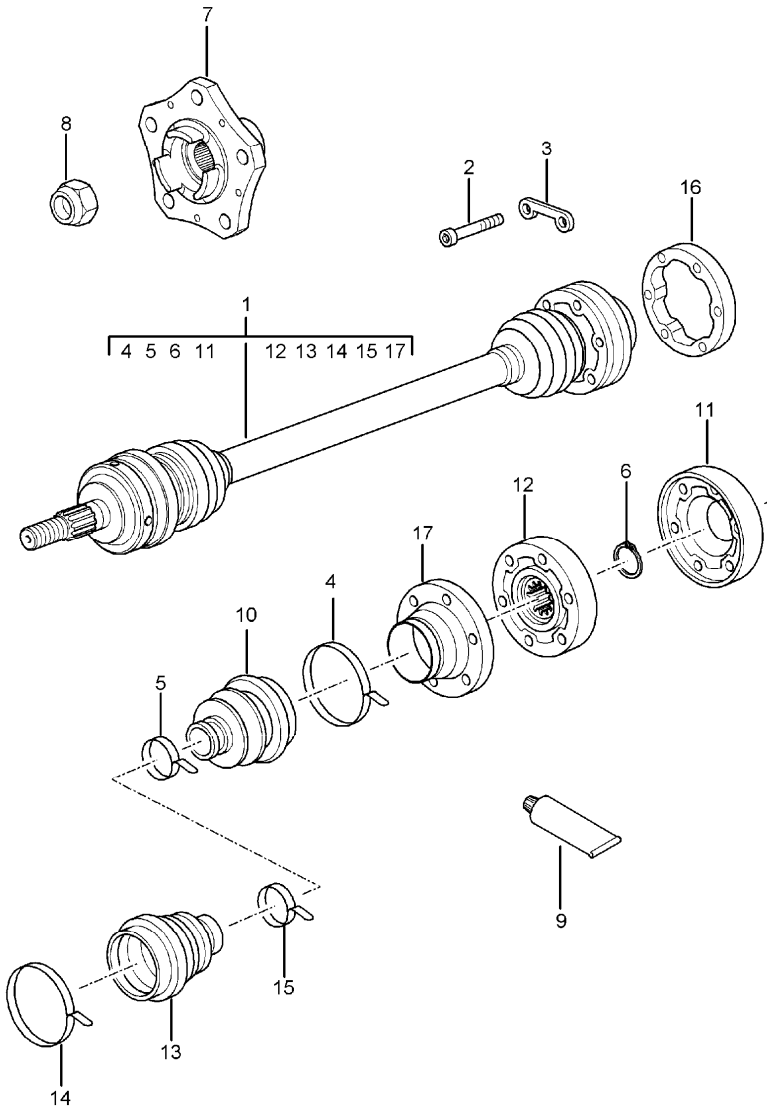
| Pos | Part Number | Description | Remark | Qty | Model | Pos | Part Number | Description | Remark | Qty | Model |
|-------|----------------|-----------------------------|--------|-----|------------|-----|----------------|--------------------------|--------|-----|-------|
| 8 | 996 331 171 03 | transverse strut front | | 1 | TURBO M480 | 20 | 996 331 375 01 | strut | | 1 | M601 |
| (8) A | 996 331 171 04 | transverse strut front | | 1 | TURBO M249 | 21 | 996 631 121 00 | sensor | | 1 | M601 |
| (8) | 997 331 171 00 | transverse strut front | | 1 | TURBO M249 | 22 | N 014 129 12 | oval-head screw M 5 X 10 | | 2 | M601 |
| (8) | 996 331 171 03 | transverse strut front | | 1 | GT2 | | | | | | |
| 9 A | 999 072 031 09 | hexagon-head bolt M 10 X 45 | | 2 | | | | | | | |
| 9 | 999 072 031 01 | hexagon-head bolt M 10 X 45 | | 2 | | | | | | | |
| 10 A | 996 331 081 02 | strut | -04 | 2 | | | | | | | |
| (10) | 997 331 081 02 | strut | | 2 | | | | | | | |
| 11 | 996 331 385 00 | rubber mounting | | 6 | | | | | | | |
| 12 A | 999 072 031 09 | hexagon-head bolt M 10 X 45 | | 2 | | | | | | | |
| 12 | 999 072 031 01 | hexagon-head bolt M 10 X 45 | | 2 | | | | | | | |
| 13 A | 900 378 072 09 | hexagon-head bolt M 12 X 30 | | 2 | | | | | | | |
| 13 | 900 378 072 01 | hexagon-head bolt M 12 X 30 | | 2 | | | | | | | |
| 14 | 999 061 102 09 | stud M 12 X 1,5 | | 4 | | | | | | | |
| 15 A | 999 061 103 09 | stud M 12 X 1,5 | | 2 | | | | | | | |
| 15 | 999 061 103 01 | stud M 12 X 1,5 | | 2 | | | | | | | |
| 16 | 999 084 445 09 | hexagon nut M 12 X 1,5 | | 6 | | | | | | | |
| 17 | 996 331 291 02 | washer | | 6 | | | | | | | |
| 18 | 996 341 371 03 | support | | 1 | M601 | | | | | | |
| 19 A | 900 380 015 09 | hexagon nut VM 6 | | 2 | M601 | | | | | | |
| 19 | 900 380 015 01 | hexagon nut VM 6 | | 2 | M601 | | | | | | |

| | | | | | | | | | | | |
|-------|------|----|----|--------------|--------------|-----|-------|------------|---------|-----|---------|
| Model | Year | MG | SG | Illustration | Restrictions | UPD | 19:52 | 24.01.2010 | PORSCHE | PET | PORSCHE |
| 996T | 2005 | 5 | 01 | 501-03 | | 248 | | | | | |



| Pos | Part Number | Description | Remark | Qty | Model |
|-----|------------------|--------------------------------|--------|-----|---------------------|
| | | stabiliser | | | |
| 1 | A 996 333 705 03 | stabiliser 21,70 MM | -04 | 1 | TURBO |
| (1) | 996 333 705 05 | stabiliser 21,70 MM | | 1 | TURBO |
| (1) | A 996 333 705 04 | stabiliser 22,50 MM | | 1 | IX75 TURBO/COUPE |
| (1) | 996 333 705 06 | stabiliser 22,50 MM | 04- | 1 | IX75 TURBO/COUPE |
| (1) | K 996 333 701 90 | stabiliser 20,77 MM | | 1 | GT2 |
| 2 | 996 333 792 27 | stabiliser mounting | | 2 | TURBO |
| (2) | 996 333 792 29 | stabiliser mounting | 04- | 2 | IX75 TURBO/COUPE |
| (2) | 996 333 792 26 | stabiliser mounting | | 2 | GT2 |
| 3 | 996 333 777 01 | bearing clamp | | 2 | |
| 4 | 900 378 055 09 | hexagon-head bolt AM 8 X 40 | | 4 | |
| 5 | 996 333 069 03 | stabiliser mounting | | 2 | TURBO |
| (5) | A 996 333 069 90 | stabiliser mounting | | 2 | GT2 |
| (5) | 996 333 069 91 | stabiliser mounting | | 2 | GT2 |
| 6 | 999 084 643 09 | hexagon nut M 10 | | 2 | TURBO |
| (6) | 999 084 624 09 | hexagon nut M 10 | | 2 | GT2 |

| | | | | | | | | | | | |
|-------|------|----|----|--------------|--------------|-----|-------|------------|---------|-----|---------|
| Model | Year | MG | SG | Illustration | Restrictions | UPD | 19:52 | 24.01.2010 | PORSCHE | PET | PORSCHE |
| 996T | 2005 | 5 | 01 | 501-05 | | 248 | | | | | |



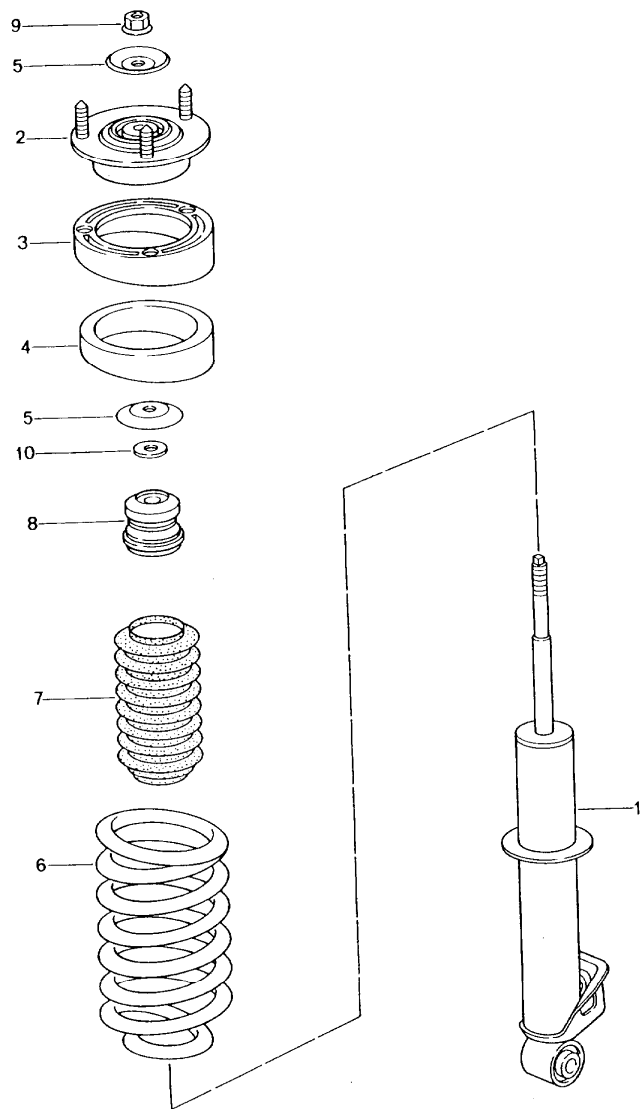
| Pos | Part Number | Description | Remark | Qty | Model |
|-----|------------------|--|--------|-----|-------|
| | | drive shaft wheel hub | | | |
| 1 | 996 332 024 11 | drive shaft | | 2 | M249 |
| (1) | 996 332 024 10 | drive shaft | | 2 | M480 |
| 2 | A 900 067 123 09 | pan-head screw M 10 X 50 | | 12 | M480 |
| 2 | 900 067 123 02 | pan-head screw M 10 X 50 | | 12 | M480 |
| (2) | U 900 067 121 09 | pan-head screw M 10 X 65 | | 12 | M249 |
| (2) | 999 510 041 09 | pan-head screw M 10 X 65 | | 12 | |
| 3 | 993 332 191 00 | plate | -02 | 6 | |
| (3) | 996 332 191 00 | plate | 03- | 6 | |
| 4 | 911 332 257 00 | clip \$ 73 MM | | 2 | |
| 5 | 928 332 257 01 | clip \$ 34 MM | | 2 | |
| 6 | 900 041 014 00 | circlip | | 2 | |
| 7 | 996 331 605 04 | wheel hub | | 2 | |
| (7) | 997 331 605 00 | wheel hub | | 2 | |
| 8 | 999 084 641 02 | lock nut M 22 X 1,5 | -03 | 2 | |
| (8) | 999 084 641 02 | lock nut M 22 X 1,5 | 04- | 2 | |
| 9 | 000 043 110 01 | grease 1 100-gramme tube | | X | |
| (9) | 000 043 205 36 | sealing compound drive shaft 1 100-gramme tube | | X | |
| 10 | 928 332 293 02 | dust bellows | | 2 | |
| 11 | A 928 332 267 01 | lid | | 2 | |
| 11 | 997 332 267 00 | lid | | 2 | |
| 12 | 928 332 030 08 | joint | | 2 | |
| 13 | 928 332 293 02 | dust bellows | | 2 | |

| | | | | | | | | | | | |
|-------|------|----|----|--------------|--------------|-----|-------|------------|---------|-----|---------|
| Model | Year | MG | SG | Illustration | Restrictions | UPD | 19:52 | 24.01.2010 | PORSCHE | PET | PORSCHE |
| 996T | 2005 | 5 | 01 | 501-05 | | 248 | | | | | |

| Pos | Part Number | Description | Remark | Qty | Model | Pos | Part Number | Description | Remark | Qty | Model |
|------|----------------|----------------|--------|-----|---------------|-----|-------------|-------------|--------|-----|-------|
| 14 | 911 332 257 00 | clip | | 2 | | | | | | | |
| 15 | 928 332 257 01 | clip | | 2 | | | | | | | |
| 16 | 996 332 229 01 | spacer ring | -02 | 2 | TURBO M249 | | | | | | |
| (16) | 996 332 229 01 | spacer ring | 03- | 2 | TURBO M249 | | | | | | |
| 17 | 911 332 259 01 | bellow support | | 2 | | | | | | | |

| | | | | | | | | | | | |
|-------|------|----|----|--------------|--------------|-----|-------|------------|---------|-----|---------|
| Model | Year | MG | SG | Illustration | Restrictions | UPD | 19:52 | 24.01.2010 | PORSCHE | PET | PORSCHE |
| 996T | 2005 | 5 | 02 | 502-00 | | 248 | | | | | |

| Pos | Part Number | Description | Remark | Qty | Model |
|-----|------------------|-----------------------------------|--------|-----|------------|
| | | shock absorber coil spring | | | TURBO |
| 1 | A 996 333 051 17 | shock absorber - bilstein - | -03 | 2 | COUPE |
| (1) | 996 333 051 36 | shock absorber - bilstein - | 04- | 2 | COUPE |
| (1) | U 996 333 051 29 | shock absorber - bilstein - | 04- | 2 | CABRIO |
| (1) | 996 333 051 37 | shock absorber - bilstein - | 04- | 2 | CABRIO |
| (1) | A 996 333 980 16 | shock absorber - bilstein - | 03 | 2 | IX73 COUPE |
| (1) | 996 333 980 25 | vibration damper - bilstein - | 04- | 2 | IX73 COUPE |
| | | mount shock absorber | | | |
| - | A 900 378 138 09 | hexagon-head bolt M 12 X 1,5 X 70 | | 2 | |
| - | 900 378 138 01 | hexagon-head bolt M 12 X 1,5 X 70 | | 2 | |
| - | 999 084 445 09 | hexagon nut M 12 X 1,5 | | 2 | |
| 2 | 996 333 059 03 | supporting mount | | 2 | |
| - | A 900 380 008 09 | hexagon nut M 10 | | 6 | |
| - | 900 380 008 01 | hexagon nut M 10 | | 6 | |
| 3 | 996 333 511 02 | compensating plate 0,5 MM | | X | |
| (3) | 996 333 511 03 | compensating plate 4,0 MM | | X | |
| (3) | 996 333 980 19 | compensating plate 3,0 MM | 03- | X | IX73 COUPE |
| (3) | 996 333 980 20 | compensating plate 7,0 MM | 03- | X | IX73 COUPE |
| 4 | 993 333 504 00 | ring | | 2 | |
| (4) | 996 333 980 18 | ring | 03- | 2 | IX73 COUPE |

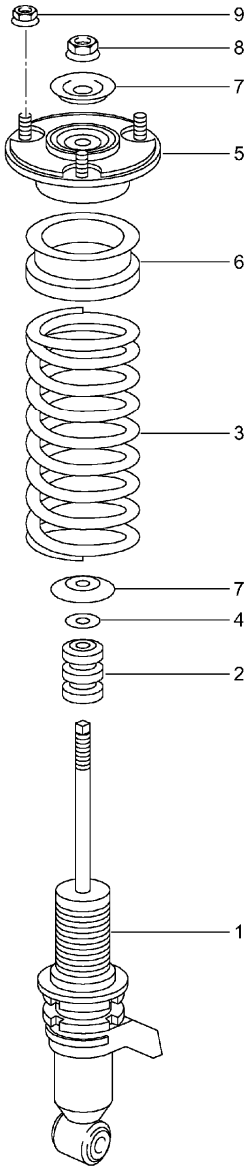


| | | | | | | | | | | | |
|-------|------|----|----|--------------|--------------|-----|-------|------------|---------|-----|---------|
| Model | Year | MG | SG | Illustration | Restrictions | UPD | 19:52 | 24.01.2010 | PORSCHE | PET | PORSCHE |
| 996T | 2005 | 5 | 02 | 502-00 | | 248 | | | | | |

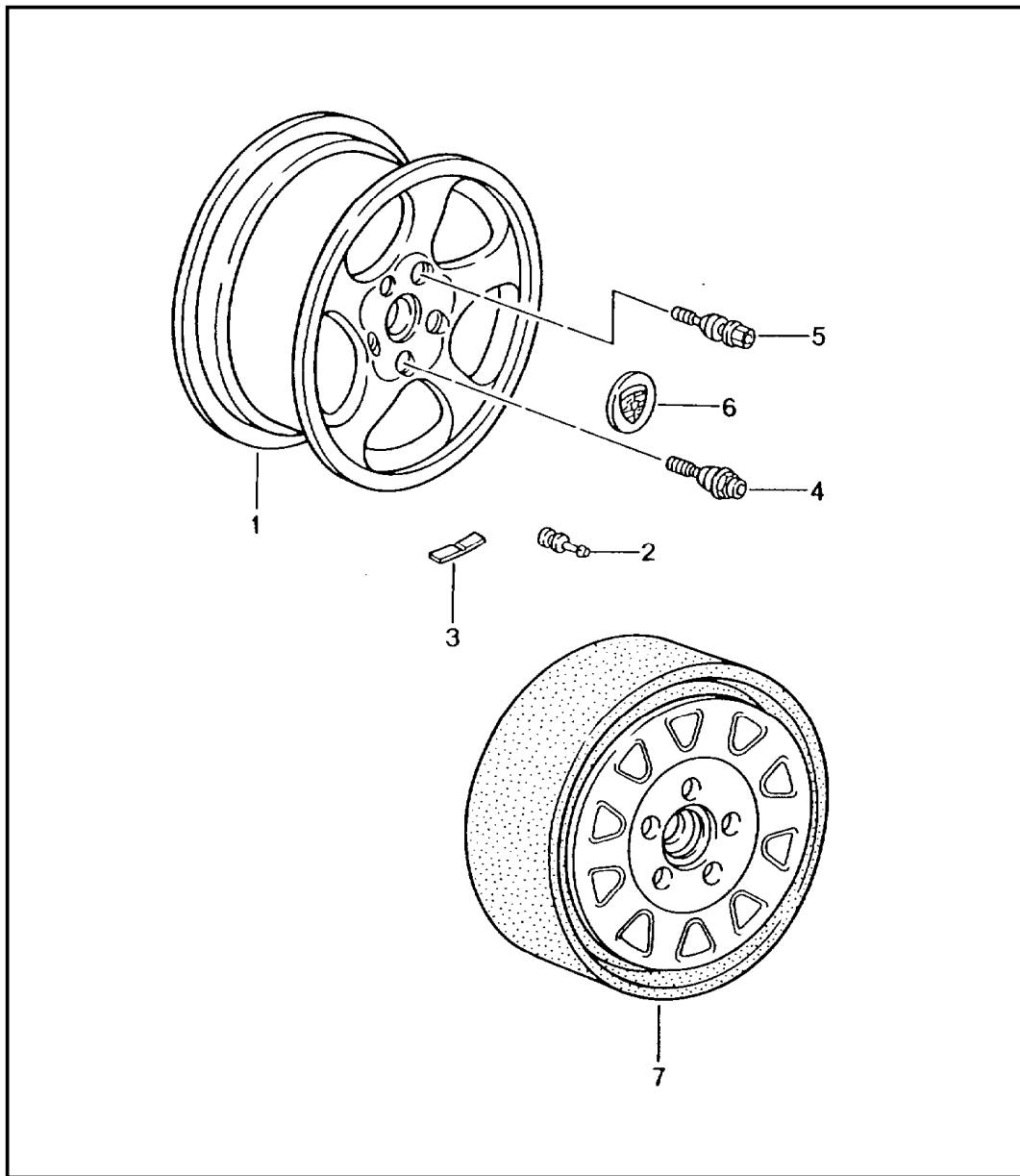
| Pos | Part Number | Description | Remark | Qty | Model | Pos | Part Number | Description | Remark | Qty | Model |
|-------|----------------|---|--------|-----|----------------|-----|----------------|---|--------|-----|---------------|
| 5 | 996 333 107 00 | stop plate | | 4 | | | 504 | identification gold-coloured silver | | | |
| 6 | 996 333 531 19 | coil spring 1 set | -01 | 1 | M480 | (6) | 996 333 980 12 | coil spring 1 set | 03- | 1 | IX73 COUPE |
| | | 504 identification gold-coloured white F >>992S6 82161 | | | | | 504 | identification green blue | | | |
| (6) | 996 333 531 44 | coil spring 1 set | 02- | 1 | COUPE M480 | 7 | 993 333 107 01 | bellows | | 2 | |
| | | 504 identification gold-coloured white F 992S6 82162>> | | | | 8 | 996 333 105 03 | additional spring | | 2 | |
| (6) U | 996 333 531 52 | coil spring 1 set | 04- | 1 | CABRIO M480 | 9 | 999 084 445 09 | hexagon nut M 10 | | 2 | |
| | | 504 identification gold-coloured silver | | | | 10 | 999 025 240 02 | washer mount shock absorber | | 2 | |
| (6) | 996 333 531 59 | coil spring 1 set | 04- | 1 | CABRIO M480 | - A | 900 378 138 09 | hexagon-head bolt M 12 X 1,5 X 70 | | 2 | |
| | | 504 identification gold-coloured silver | | | | - | 900 378 138 01 | hexagon-head bolt M 12 X 1,5 X 70 | | 2 | |
| (6) | 996 333 531 20 | coil spring 1 set | -01 | 1 | M249 | - | 999 084 445 09 | hexagon nut M 12 X 1,5 | | 2 | |
| | | 504 identification gold-coloured red F >>992S6 81257 | | | | - A | 900 380 008 09 | hexagon nut M 10 | | 6 | |
| (6) | 996 333 531 45 | coil spring 1 set | 02- | 1 | COUPE M249 | - | 900 380 008 01 | hexagon nut M 10 | | 6 | |
| | | 504 identification gold-coloured red F 992S6 81258>> | | | | | | | | | |
| (6) U | 996 333 531 52 | coil spring 1 set | 04- | 1 | CABRIO M249 | | | | | | |
| | | 504 identification gold-coloured silver | | | | | | | | | |
| (6) | 996 333 531 59 | coil spring 1 set | 04- | 1 | CABRIO M249 | | | | | | |

| | | | | | | | | | | | |
|-------|------|----|----|--------------|--------------|-----|-------|------------|---------|-----|---------|
| Model | Year | MG | SG | Illustration | Restrictions | UPD | 19:52 | 24.01.2010 | PORSCHE | PET | PORSCHE |
| 996T | 2005 | 5 | 02 | 502-01 | | 248 | | | | | |

| Pos | Part Number | Description | Remark | Qty | Model |
|-----|------------------|--|--------|-----|-------|
| | | shock absorber coil spring | | | GT2 |
| - | K 996 333 055 93 | spring strut complete | | 2 | |
| - | U 996 333 803 30 | spring strut lock. device | | X | |
| 1 | 996 333 051 93 | shock absorber - bilstein - | | 2 | |
| | | mount shock absorber | | | |
| - | A 900 378 138 09 | hexagon-head bolt M 12 X 1,5 X 70 | | 2 | |
| - | 900 378 138 01 | hexagon-head bolt M 12 X 1,5 X 70 | | 2 | |
| - | 999 084 445 09 | hexagon nut M 12 X 1,5 | | 2 | |
| 2 | K 996 333 105 93 | additional spring | | 2 | |
| 3 | A 996 333 531 94 | coil spring | | 1 | |
| | | 504 1 set | | | |
| (3) | K 996 333 531 98 | coil spring | | 1 | |
| | | 504 1 set | | | |
| 4 | 999 025 240 02 | washer 12,1 X 25 X 3 | | 2 | |
| 5 | 996 333 059 03 | supporting mount | | 2 | |
| - | K 996 333 551 90 | rubber support see technical information group 4 NR.6-1 | | 2 | |
| 6 | K 996 333 529 92 | spring hanger | | 4 | |
| 7 | 996 333 107 00 | washer | | 4 | |
| 8 | 999 084 445 09 | hexagon nut M 12X 1,5 | | 2 | |
| 9 | A 900 380 008 09 | hexagon nut M 10 | | 6 | |
| 9 | 900 380 008 01 | hexagon nut M 10 | | 6 | |



| | | | | | | | | | | | |
|-------|------|----|----|--------------|--------------|-----|-------|------------|---------|-----|---------|
| Model | Year | MG | SG | Illustration | Restrictions | UPD | 19:53 | 24.01.2010 | PORSCHE | PET | PORSCHE |
| 996T | 2005 | 6 | 01 | 601-00 | | 248 | | | | | |



| Pos | Part Number | Description | Remark | Qty | Model |
|-------|----------------|---|--------|-----|---------------------|
| | | wheels see technical information group 4 NR.Y/03 | | | |
| (1) | 996 362 136 04 | disc wheel 8 J X 18 ET 50 | /V | 2 | TURBO M410 |
| (1) | 996 362 136 01 | disc wheel 8 J X 18 ET 50 | /V | 2 | TURBO M415 |
| (1) | 996 362 136 02 | disc wheel 8 J X 18 ET 50 | /V 04- | 2 | TURBO M416 |
| (1) | 996 362 136 32 | disc wheel 8 J X 18 ET 50 | /V 05- | 2 | TURBO S M092/418 |
| (1) | 996 362 136 51 | disc wheel 8 J X 18 ET 50 | /V 02- | 2 | TURBO IXRC |
| (1) | 996 362 136 31 | disc wheel 8,5 J X 18 ET 40 | /V -03 | 2 | GT2 M415 |
| (1) K | 996 362 136 05 | disc wheel 8,5 J X 18 ET 40 | /V 04- | 2 | GT2 M416 |
| (1) | 996 362 142 03 | disc wheel 11 J X 18 ET 45 | /H -02 | 2 | TURBO M410 |
| (1) | 996 362 142 11 | disc wheel 11 J X 18 ET 45 | /H 03- | 2 | TURBO M410 |
| (1) | 996 362 142 01 | disc wheel 11 J X 18 ET 45 | /H -02 | 2 | TURBO M415 |

| | | | | | | | | | | | |
|-------|------|----|----|--------------|--------------|-----|-------|------------|---------|-----|---------|
| Model | Year | MG | SG | Illustration | Restrictions | UPD | 19:53 | 24.01.2010 | PORSCHE | PET | PORSCHE |
| 996T | 2005 | 6 | 01 | 601-00 | | 248 | | | | | |

| Pos | Part Number | Description | Remark | Qty | Model | Pos | Part Number | Description | Remark | Qty | Model |
|-----|----------------|--|----------|-----|-----------------------|-----|----------------|---|--------|-----|---------------|
| (1) | 996 362 142 10 | disc wheel 11 J X 18 ET 45 | /H 03- | 2 | TURBO M415 | (2) | 900 265 001 50 | valve rubber | | 4 | TURBO M415 |
| (1) | 996 362 142 02 | disc wheel 11 J X 18 ET 45 | /H 04- | 2 | TURBO M416 | (2) | 993 361 073 00 | valve steel | 02- | 4 | IXRC |
| (1) | 996 362 142 32 | disc wheel 11 J X 18 ET 45 | /H 05- | 2 | TURBO S M092/418 | (2) | 900 265 001 50 | valve rubber use also: cap 993.361.163.90 | | 4 | GT2 M415 |
| (1) | 996 362 140 01 | disc wheel for winter use 10 J X 18 ET 47 | /H -02 | 2 | TURBO M415 | 3 | 901 361 410 50 | balance stick-on weight 5 G. | -03 | X | |
| (1) | 996 362 140 02 | disc wheel for winter use 10 J X 18 ET 47 | /H 03- | 2 | TURBO M415 | (3) | 1K0 601 178 C | balance stick-on weight 5 G. | 04- | X | |
| (1) | 996 362 142 51 | disc wheel 11 J X 18 ET 63 | /H 02-03 | 2 | TURBO IXRC | (3) | 901 361 410 00 | balance stick-on weight 10 G. | -03 | X | |
| (1) | 996 362 142 52 | disc wheel 11 J X 18 ET 63 | /H 04- | 2 | TURBO IXRC | (3) | 1K0 601 179 C | balance stick-on weight 10 G. | 04- | X | |
| (1) | 996 362 142 31 | disc wheel 12 J X 18 ET 45 | /H -03 | 2 | GT2 M415 | (3) | 901 361 411 50 | balance stick-on weight 15 G. | -03 | X | |
| (1) | 996 362 144 00 | disc wheel 12 J X 18 ET 45 | /H 04- | 2 | GT2 M416 | (3) | 1K0 601 181 C | balance stick-on weight 15 G. | 04- | X | |
| (1) | 996 362 140 02 | disc wheel for winter use 10 J X 18 ET 47 | /H 03- | 2 | GT2 M415 | (3) | 901 361 411 00 | balance stick-on weight 20 G. | -03 | X | |
| (2) | 993 361 073 00 | valve steel | | 4 | TURBO M410 M418 | (3) | 1K0 601 182 C | balance stick-on weight 20 G. | 04- | X | |
| | | | | | | (3) | 901 361 412 50 | balance stick-on weight 25 G. | -03 | X | |
| | | | | | | (3) | 1K0 601 183 C | balance stick-on weight 25 G. | 04- | X | |
| | | | | | | (3) | 901 361 412 00 | balance stick-on weight 30 G. | -03 | X | |
| | | | | | | (3) | 1K0 601 184 C | balance stick-on weight 30 G. | 04- | X | |
| | | | | | | (3) | 901 361 413 50 | balance stick-on weight 35 G. | -03 | X | |
| | | | | | | (3) | 1K0 601 185 C | balance stick-on weight 35 G. | 04- | X | |
| | | | | | | (3) | 901 361 413 00 | balance stick-on weight 40 G. | -03 | X | |

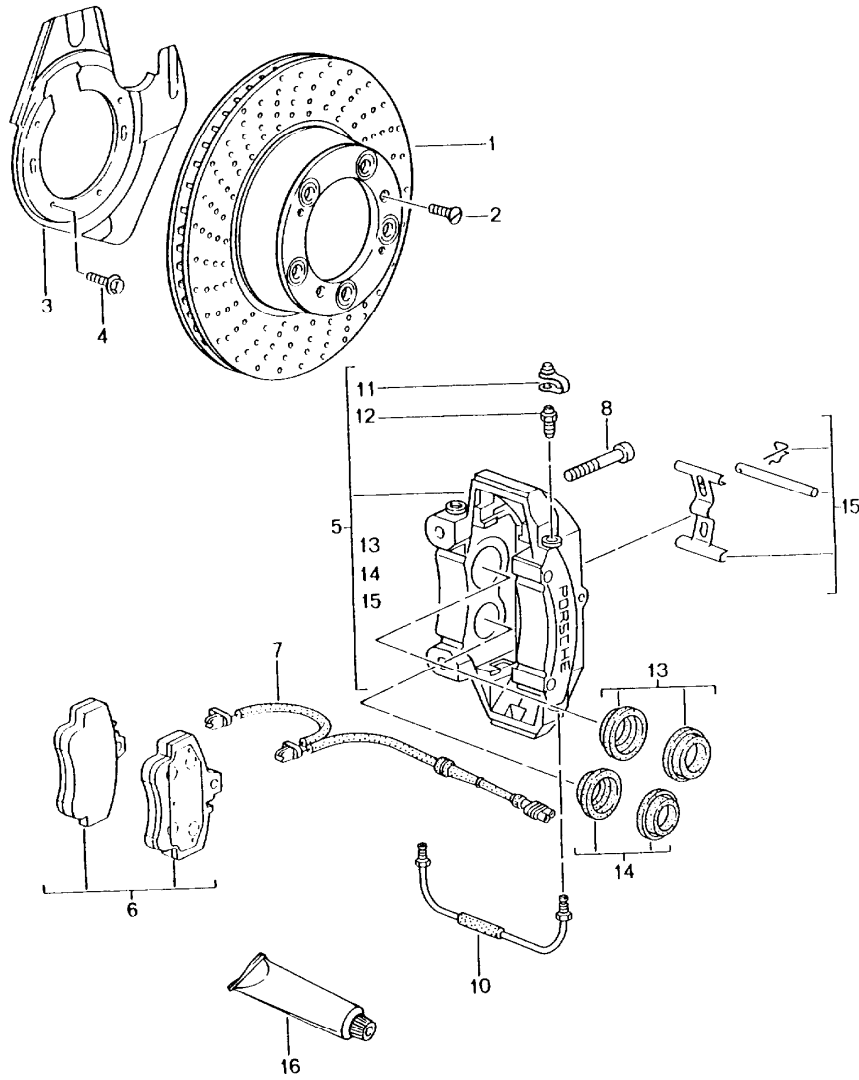
| | | | | | | | | | | | |
|-------|------|----|----|--------------|--------------|-----|-------|------------|---------|-----|---------|
| Model | Year | MG | SG | Illustration | Restrictions | UPD | 19:53 | 24.01.2010 | PORSCHE | PET | PORSCHE |
| 996T | 2005 | 6 | 01 | 601-00 | | 248 | | | | | |

| Pos | Part Number | Description | Remark | Qty | Model | Pos | Part Number | Description | Remark | Qty | Model |
|-------|----------------|--|--------|-----|-------|-------|----------------|---|--------|-----|----------------|
| (3) | 1K0 601 186 C | balance stick-on weight 40 G. | 04- | X | | (5) A | 996 361 203 01 | wheel bolt see technical information group 4 NR.7/03 | -03 | 16 | |
| (3) | 901 361 414 50 | balance stick-on weight 45 G. | -03 | X | | (5) | 996 361 203 02 | wheel bolt see technical information group 4 NR.7/03 | 04- | 16 | |
| (3) | 1K0 601 187 C | balance stick-on weight 45 G. | 04- | X | | - | 999 182 003 36 | wheel nut | 02- | 10 | /TURBO IXRN |
| (3) | 901 361 414 00 | balance stick-on weight 50 G. | -03 | X | | 6 A | 996 361 305 00 | hub cap | -02 | 4 | |
| (3) | 1K0 601 188 C | balance stick-on weight 50 G. | 04- | X | | | 9A1 | silver logo turbo | | | |
| (3) | 901 361 415 50 | balance stick-on weight 55 G. | -03 | X | | (6) | 996 361 305 11 | hub cap | 03- | 4 | |
| (3) | 1K0 601 189 C | balance stick-on weight 55 G. | 04- | X | | | 9A1 | silver logo turbo | | | |
| (3) | 901 361 415 00 | balance stick-on weight 60 G. | -03 | X | | (6) | 993 361 303 10 | hub cap | 03- | 4 | M446 |
| (3) | 1K0 601 190 C | balance stick-on weight 60 G. | 04- | X | | | 9A1 | silver crest coloured concave | | | |
| (3) | 997 361 465 00 | balance stick-on weight 65 g. | | X | | (6) | 996 361 303 13 | hub cap | 05- | 4 | M092 |
| (3) | 997 361 470 00 | balance stick-on weight 70 g. | | X | | | M7Z | gt silver metallic crest coloured | | | |
| (3) | 997 361 475 00 | balance stick-on weight 75 g. | | X | | (6) A | 993 361 303 11 | hub cap | -02 | 4 | GT2 |
| (3) | 997 361 480 00 | balance stick-on weight 80 g. | | X | | | 61M | silver crest black | | | |
| (3) | 997 361 485 00 | balance stick-on weight 85 g. | | X | | (6) | 993 361 303 11 | hub cap | 03 | 4 | GT2 |
| (3) | 997 361 490 00 | balance stick-on weight 90 g. | | X | | | 9A1 | silver crest black | | | |
| (4) A | 996 361 057 01 | wheel bolt anti-theft protection 1 set | -03 | 1 | | (6) | 996 361 303 93 | hub cap | 04- | 4 | GT2 |
| (4) A | 996 361 057 02 | wheel bolt anti-theft protection 1 set | 04- | 1 | | | 9A1 | silver logo gt2 | | | |
| (4) | 997 361 057 02 | wheel bolt anti-theft protection 1 set | 04- | 1 | | - | 911 722 201 02 | tyre pressure gauge | | 1 | |

| | | | | | | | | | | | |
|-------|------|----|----|--------------|--------------|-----|-------|------------|---------|-----|---------|
| Model | Year | MG | SG | Illustration | Restrictions | UPD | 19:53 | 24.01.2010 | PORSCHE | PET | PORSCHE |
| 996T | 2005 | 6 | 01 | 601-00 | | 248 | | | | | |

| Pos | Part Number | Description | Remark | Qty | Model | Pos | Part Number | Description | Remark | Qty | Model |
|-------|----------------|--|--------|-----|-------|-----|-------------|-------------|--------|-----|-------|
| - | 997 652 051 00 | compressor | | 1 | | | | | | | |
| 7 | 996 362 050 00 | emergency wheel | -03 | 1 | | | | | | | |
| (7) | 996 362 050 01 | emergency wheel | 04- | 1 | | | | | | | |
| (7) A | 996 362 020 01 | emergency wheel | -03 | 1 | M450 | | | | | | |
| (7) A | 996 362 020 02 | emergency wheel | | 1 | M450 | | | | | | |
| (7) | 996 362 020 03 | emergency wheel order also: stickers see illustrations 0/01/05 | | 1 | | | | | | | |
| - | 996 361 411 00 | belt for emergency wheel | | 1 | TURBO | | | | | | |
| - | 999 915 631 40 | compressed air bottle with sealing compound | | X | | | | | | | |

| | | | | | | | | | | | |
|-------|------|----|----|--------------|--------------|-----|-------|------------|---------|-----|---------|
| Model | Year | MG | SG | Illustration | Restrictions | UPD | 19:53 | 24.01.2010 | PORSCHE | PET | PORSCHE |
| 996T | 2005 | 6 | 02 | 602-00 | | 248 | | | | | |



| Pos | Part Number | Description | Remark | Qty | Model |
|-------|----------------|---|--------|-----|------------|
| | | disc brake front axle | | | |
| | | see technical information group 4 NR.5/03 | | | |
| | | brake disc only in pairs replace technical manual attention | | | M450 |
| 1 | 996 351 409 02 | brake disc | /L | 1 | TURBO |
| (1) | 996 351 410 02 | brake disc | /R | 1 | TURBO |
| (1) > | 996 351 031 02 | brake disc | /L -04 | 1 | TURBO M450 |
| (1) > | 996 351 031 03 | brake disc | /L 05- | 1 | TURBO M450 |
| (1) > | 996 351 032 02 | brake disc | /R -04 | 1 | TURBO M450 |
| (1) > | 996 351 032 03 | brake disc | /R 05- | 1 | TURBO M450 |
| (1) > | 996 351 031 92 | brake disc | /L -04 | 1 | GT2 |
| (1) > | 996 351 031 93 | brake disc | /L 05- | 1 | GT2 |
| (1) | 996 351 409 9H | brake disc | /L | 1 | GT2 M449 |
| (1) > | 996 351 032 92 | brake disc | /R -04 | 1 | GT2 |
| (1) > | 996 351 032 93 | brake disc | /R 05- | 1 | GT2 |
| (1) | 996 351 410 9H | brake disc | /R | 1 | GT2 M449 |
| 2 A | 900 269 047 09 | countersunk-head screw M 6 X 12 | | 2 | |
| 2 | 900 269 047 01 | countersunk-head screw M 6 X 12 | | 2 | |
| 3 | 996 351 805 00 | protective plate | /L | 1 | TURBO |
| (3) | 996 351 806 00 | protective plate | /R | 1 | TURBO |
| (3) | 996 351 801 30 | protective plate | /L | 1 | GT2 |
| (3) | 996 351 802 30 | protective plate | /R | 1 | GT2 |

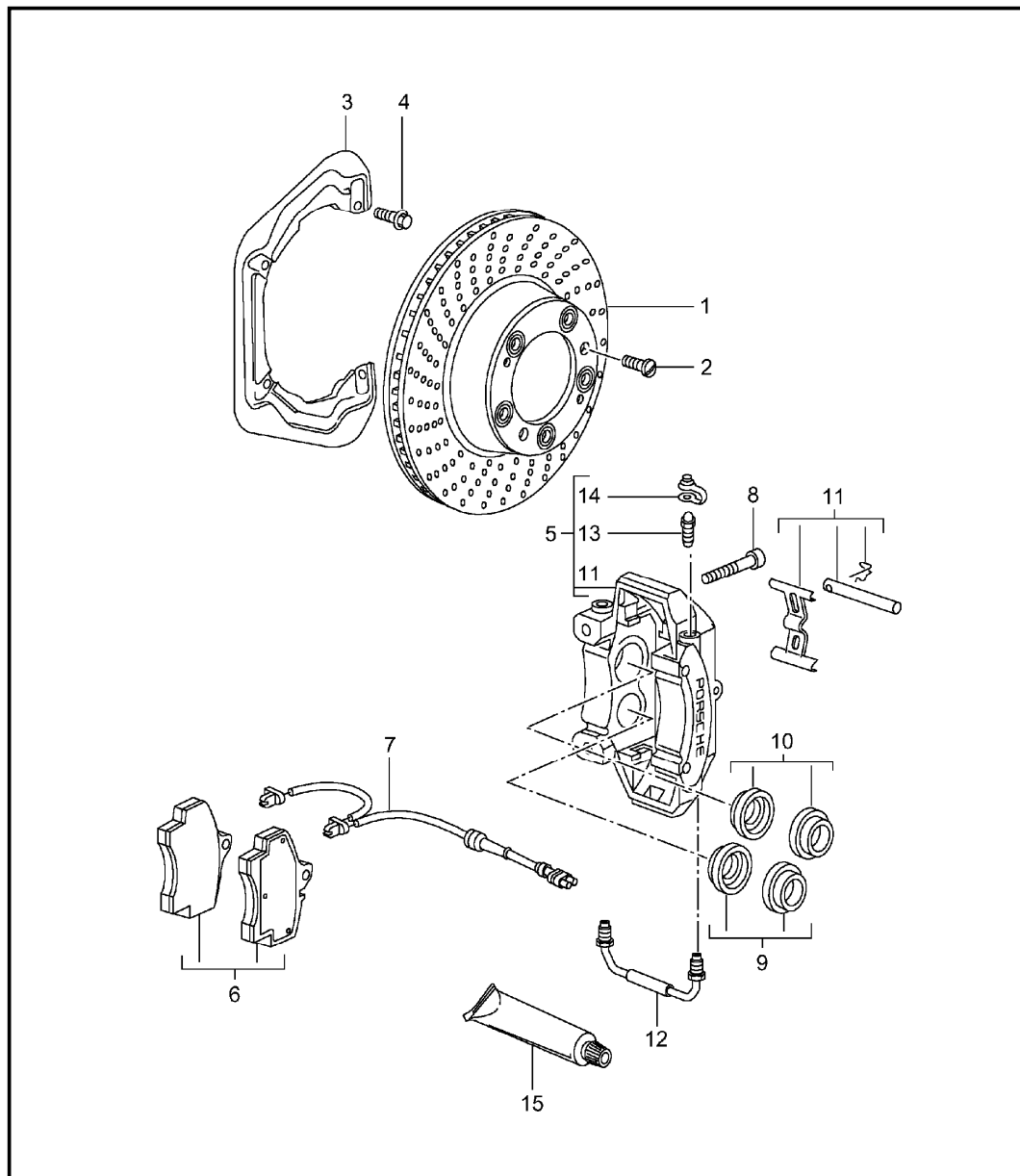
| | | | | | | | | | | | |
|-------|------|----|----|--------------|--------------|-----|-------|------------|---------|-----|---------|
| Model | Year | MG | SG | Illustration | Restrictions | UPD | 19:53 | 24.01.2010 | PORSCHE | PET | PORSCHE |
| 996T | 2005 | 6 | 02 | 602-00 | | 248 | | | | | |

| Pos | Part Number | Description | Remark | Qty | Model | Pos | Part Number | Description | Remark | Qty | Model |
|-------|----------------|---|--------|-----|---------------|------|----------------|---|--------|-----|---------------|
| 4 | 999 217 116 09 | hexagon-head bolt M 6 X 16 | | X | | - | 996 351 089 00 | damping plate | | 4 | TURBO |
| 5 | 996 351 429 10 | fixed calliper without pad | /L | 1 | TURBO | - | 996 352 086 01 | damping plate see technical manual group 46 Nr.3620 | | 6 | TURBO M450 |
| (5) | 996 351 430 10 | fixed calliper without pad | /R | 1 | TURBO | | | | | | |
| (5) | 996 351 431 30 | fixed calliper without pad | /L | 1 | TURBO M450 | - | 996 352 086 01 | damping plate | | 6 | GT2 |
| (5) | 996 351 432 30 | fixed calliper without pad | /R | 1 | TURBO M450 | 7 | 996 612 365 00 | warning contact | | 2 | TURBO |
| (5) | 996 351 431 30 | fixed calliper without pad | /L | 1 | GT2 | (7) | 996 612 347 00 | warning contact | | 2 | TURBO M450 |
| (5) | 996 351 431 30 | fixed calliper without pad | /L | 1 | GT2 M449 | (7) | 996 612 347 00 | warning contact | | 2 | GT2 |
| (5) | 996 351 432 30 | fixed calliper without pad | /R | 1 | GT2 | - | 999 507 464 40 | clip | | 2 | |
| (5) | 996 351 432 30 | fixed calliper without pad | /R | 1 | GT2 M449 | - | 944 612 627 00 | cable holder for warning contact | | 2 | |
| 6 A | 996 351 949 11 | brake pad repair set | | 1 | TURBO | 8 | 999 067 050 09 | pan-head screw M 12 X 1,5 X 77 | | 4 | TURBO |
| (6) | 996 351 949 12 | brake pad repair set use also: mounting parts | | 1 | TURBO | (8) | 999 067 047 09 | pan-head screw M 12 X 1,5 X 85 | | 4 | TURBO M450 |
| (6) A | 996 351 947 00 | brake pad repair set | | 1 | TURBO M450 | (8) | 999 067 047 09 | pan-head screw M 12 X 1,5 X 85 | | 4 | GT2 |
| (6) A | 996 351 947 01 | brake pad repair set see technical manual group 46 Nr.3620 use also: mounting parts | | 1 | TURBO M450 | 10 | 996 351 961 11 | connecting line | /L | 1 | TURBO |
| (6) | 997 351 948 01 | brake pad repair set see technical manual group 46 Nr.3620 use also: mounting parts | | 1 | TURBO M450 | (10) | 996 351 962 11 | connecting line | /R | 1 | TURBO |
| (6) | 980 351 939 00 | brake pad repair set | | 1 | GT2 | (10) | 996 351 961 30 | connecting line | | 2 | TURBO M450 |
| (6) K | 996 351 948 00 | brake pad repair set use also: mounting parts | | 1 | GT2 M449 | (10) | 996 351 961 30 | connecting line | | 2 | GT2 |
| | | | | | | 11 | 930 351 927 00 | cap | | 2 | |
| | | | | | | 12 | 930 351 919 00 | ventilation valve | | 2 | |
| | | | | | | 13 | 928 351 917 00 | repair kit protection caps 44 MM \$ | | 2 | TURBO |
| | | | | | | (13) | 996 351 915 01 | repair kit protection caps 38 MM \$ | | 2 | TURBO M450 |

| | | | | | | | | | | | |
|-------|------|----|----|--------------|--------------|-----|-------|------------|---------|-----|---------|
| Model | Year | MG | SG | Illustration | Restrictions | UPD | 19:53 | 24.01.2010 | PORSCHE | PET | PORSCHE |
| 996T | 2005 | 6 | 02 | 602-00 | | 248 | | | | | |

| Pos | Part Number | Description | Remark | Qty | Model | Pos | Part Number | Description | Remark | Qty | Model |
|------|----------------|---|--------|-----|---------------|-----|-------------|-------------|--------|-----|-------|
| (13) | 996 351 915 01 | repair kit protection caps 38 MM \$ | | 2 | GT2 | | | | | | |
| - | 996 351 915 00 | repair kit protection caps 32 MM \$ | | 2 | TURBO M450 | | | | | | |
| - | 996 351 915 00 | repair kit protection caps 32 MM \$ | | 2 | GT2 | | | | | | |
| 14 | 951 351 917 00 | repair kit protection caps 36 MM \$ | | 2 | TURBO | | | | | | |
| (14) | 951 352 917 00 | repair kit protection caps 28 MM \$ | | 2 | TURBO M450 | | | | | | |
| (14) | 951 352 917 00 | repair kit protection caps 28 MM \$ | | 2 | GT2 | | | | | | |
| 15 | 996 351 959 11 | repair kit mounting parts | | 1 | TURBO | | | | | | |
| (15) | 996 351 959 30 | repair kit mounting parts | | 1 | TURBO M450 | | | | | | |
| (15) | 996 351 959 30 | repair kit mounting parts | | 1 | GT2 | | | | | | |
| (15) | 996 351 959 30 | repair kit mounting parts | | 1 | GT2 M449 | | | | | | |
| 16 | 000 043 117 00 | brake cylinder paste 50 G | | X | | | | | | | |
| (16) | 000 043 020 00 | optimoly 100 G | | X | | | | | | | |

| | | | | | | | | | | | |
|-------|------|----|----|--------------|--------------|-----|-------|------------|---------|-----|---------|
| Model | Year | MG | SG | Illustration | Restrictions | UPD | 19:53 | 24.01.2010 | PORSCHE | PET | PORSCHE |
| 996T | 2005 | 6 | 03 | 603-00 | | 248 | | | | | |



| Pos | Part Number | Description | Remark | Qty | Model |
|-------|------------------|---|--------|-----|------------|
| | | disc brake rear axle | | | |
| | | see technical information group 4 NR.5/03 | | | |
| | | brake disc only in pairs replace technical manual attention | | | M450 |
| 1 | 996 352 405 00 | brake disc | /L | 1 | TURBO |
| (1) | 996 352 406 00 | brake disc | /R | 1 | TURBO |
| (1) | 996 352 405 00 | brake disc | /L | 1 | GT2 M449 |
| (1) | 996 352 406 00 | brake disc | /R | 1 | GT2 M449 |
| (1) > | 996 352 031 02 | brake disc | /L -04 | 1 | TURBO M450 |
| (1) > | 996 352 031 03 | brake disc | /L 05- | 1 | TURBO M450 |
| (1) > | 996 352 032 02 | brake disc | /R -04 | 1 | TURBO M450 |
| (1) > | 996 352 032 03 | brake disc | /R 05- | 1 | TURBO M450 |
| (1) > | 996 352 031 02 | brake disc | /L -04 | 1 | GT2 |
| (1) > | 996 352 031 03 | brake disc | /L 05- | 1 | GT2 |
| (1) > | 996 352 032 02 | brake disc | /R -04 | 1 | GT2 |
| (1) > | 996 352 032 03 | brake disc | /R 05- | 1 | GT2 |
| 2 | A 900 269 047 09 | countersunk-head screw M 6 X 12 | | 2 | |
| 2 | 900 269 047 01 | countersunk-head screw M 6 X 12 | | 2 | |
| 3 | A 996 352 801 02 | protective plate | | 2 | TURBO |
| (3) | 996 352 801 03 | protective plate | | 2 | TURBO |
| (3) A | 996 352 801 02 | protective plate | | 2 | TURBO M450 |

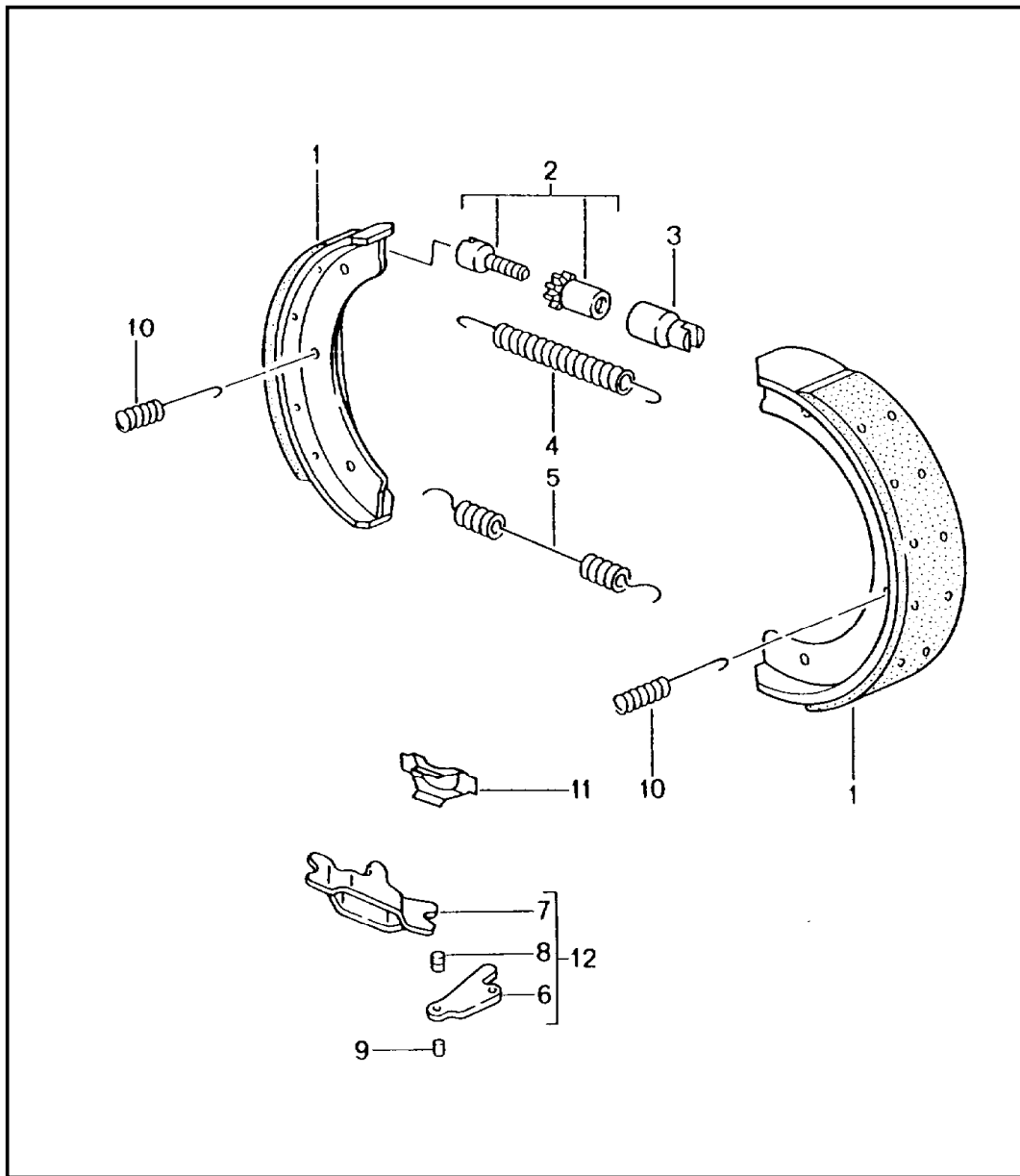
| | | | | | | | | | | | |
|-------|------|----|----|--------------|--------------|-----|-------|------------|---------|-----|---------|
| Model | Year | MG | SG | Illustration | Restrictions | UPD | 19:53 | 24.01.2010 | PORSCHE | PET | PORSCHE |
| 996T | 2005 | 6 | 03 | 603-00 | | 248 | | | | | |

| Pos | Part Number | Description | Remark | Qty | Model | Pos | Part Number | Description | Remark | Qty | Model |
|-------|----------------|---|--------|-----|---------------|-------|----------------|---|--------|-----|---------------|
| (3) | 996 352 801 03 | protective plate | | 2 | TURBO M450 | (6) | 997 352 948 00 | brake pad repair set see technical manual group 46 Nr.3820 use also: mounting parts | | 1 | TURBO M450 |
| (3) | 996 352 801 30 | protective plate | /L | 2 | GT2 | | | | | | |
| (3) | 996 352 802 30 | protective plate | /R | 2 | GT2 | | | | | | |
| 4 | 999 217 116 09 | hexagon-head bolt M 6 X 16 | | X | | (6) | 996 352 947 03 | brake pad repair set | | 1 | GT2 |
| 5 | 996 352 425 60 | fixed calliper without pad | /L | 1 | TURBO | (6) U | 996 352 949 30 | brake pad repair set | | 1 | GT2 M449 |
| (5) | 996 352 426 60 | fixed calliper without pad | /R | 1 | TURBO | (6) | 996 352 948 90 | brake pad repair set comfort version | | 1 | GT2 M449 |
| (5) | 996 352 423 30 | fixed calliper without pad | /L | 1 | TURBO M450 | (6) K | 996 352 930 91 | brake pad repair set sport version use also: mounting parts | | 4 | GT2 M449 |
| (5) | 996 352 424 30 | fixed calliper without pad | /R | 1 | TURBO M450 | | | | | | |
| (5) | 996 352 423 30 | fixed calliper without pad | /L | 1 | GT2 | - | 964 352 096 01 | damping plate 28 MM \$ | | 4 | TURBO |
| (5) | 996 352 424 30 | fixed calliper without pad | /R | 1 | GT2 | - | 964 352 096 00 | damping plate 30 MM \$ | | 4 | TURBO |
| (5) | 996 352 425 30 | fixed calliper without pad | /L | 1 | GT2 M449 | - | 996 352 086 01 | damping plate 28 MM \$ see technical manual group 46 Nr.3819 | | 8 | TURBO M450 |
| (5) | 996 352 426 30 | fixed calliper without pad | /R | 1 | GT2 M449 | - | 996 352 086 01 | damping plate 28 MM \$ | | 8 | GT2 |
| (6) A | 996 352 949 02 | brake pad repair set | | 1 | TURBO | -04 | | | | | |
| (6) | 996 352 949 03 | brake pad repair set use also: mounting parts | | 1 | TURBO | - | 964 352 096 00 | damping plate 30 MM | | 8 | GT2 M449 |
| (6) A | 996 352 947 00 | brake pad repair set | | 1 | TURBO M450 | 7 | 996 612 365 00 | warning contact | | 2 | TURBO |
| (6) | 996 352 947 01 | brake pad repair set see technical manual group 46 Nr.3820 use also: mounting parts | | 1 | TURBO M450 | (7) | 996 612 348 00 | warning contact | | 2 | TURBO M450 |
| | | | | | | (7) | 996 612 348 00 | warning contact | | 2 | GT2 |
| | | | | | | (7) | 996 612 348 00 | warning contact | | 2 | GT2 M449 |
| | | | | | | 8 | 999 067 050 09 | pan-head screw M 12 X 1,5 X 77 | | 4 | TURBO |
| | | | | | | (8) | 999 067 047 09 | pan-head screw M 12 X 1,5 X 85 | | 4 | TURBO M450 |

| | | | | | | | | | | | |
|-------|------|----|----|--------------|--------------|-----|-------|------------|---------|-----|---------|
| Model | Year | MG | SG | Illustration | Restrictions | UPD | 19:53 | 24.01.2010 | PORSCHE | PET | PORSCHE |
| 996T | 2005 | 6 | 03 | 603-00 | | 248 | | | | | |

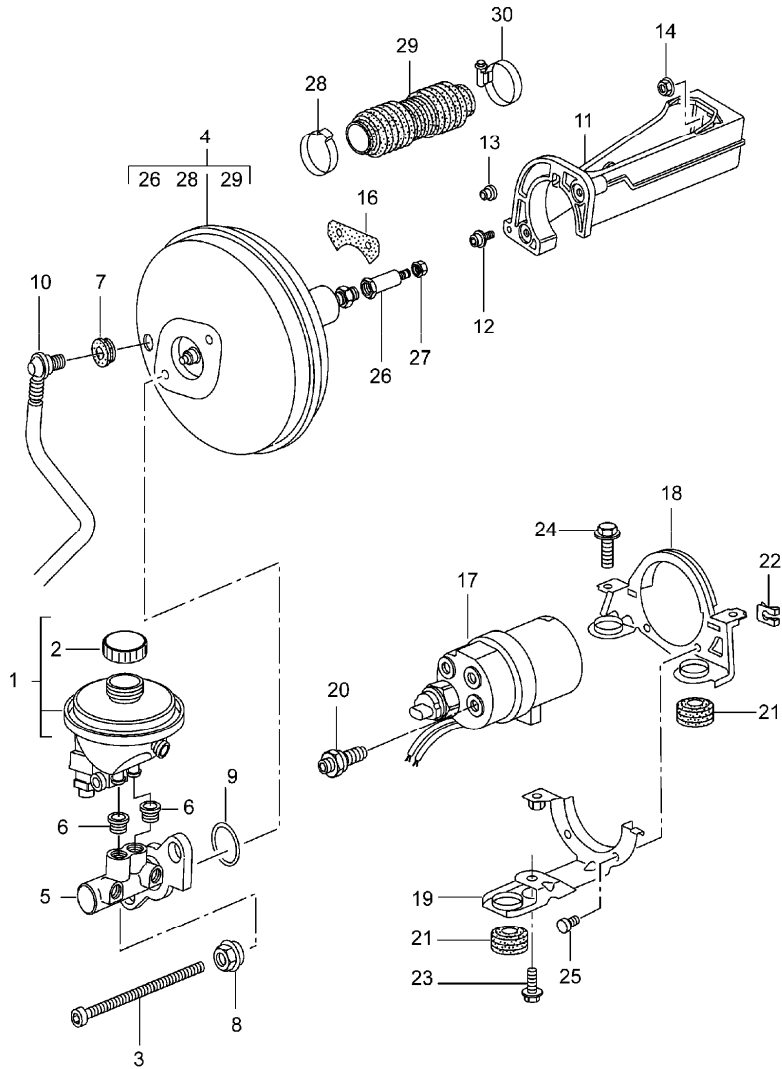
| Pos | Part Number | Description | Remark | Qty | Model | Pos | Part Number | Description | Remark | Qty | Model |
|--------|----------------|---|--------|-----|---------------|------|----------------|-------------------|--------|-----|-------|
| (8) | 999 067 047 09 | pan-head screw M 12 X 1,5 X 85 | | 4 | GT2 | (15) | 000 043 020 00 | optimoly 100 G | | X | |
| (8) | 999 067 042 09 | pan-head screw M 12 X 1,5 X 77 | | 4 | GT2 M449 | | | | | | |
| - | 944 612 627 00 | cable holder for warning contact | | 2 | | | | | | | |
| 9 | 951 352 917 01 | repair kit protection caps 30 MM \$ | | X | | | | | | | |
| 10 | 951 352 917 00 | repair kit protection caps 28 MM \$ | | X | | | | | | | |
| 11 | 996 351 959 01 | repair kit mounting parts | | 1 | TURBO | | | | | | |
| (11) A | 996 352 959 30 | repair kit mounting parts | | 1 | TURBO M450 | | | | | | |
| (11) | 996 351 959 01 | repair kit mounting parts | | 1 | TURBO M450 | | | | | | |
| (11) A | 996 352 959 30 | repair kit mounting parts | | 1 | GT2 | | | | | | |
| (11) | 996 351 959 01 | repair kit mounting parts | | 1 | GT2 | | | | | | |
| (11) | 996 351 959 01 | repair kit mounting parts | | 1 | GT2 M449 | | | | | | |
| 12 | 996 351 962 00 | connecting line | /L | 1 | TURBO | | | | | | |
| (12) | 996 351 961 00 | connecting line | /R | 1 | TURBO | | | | | | |
| (12) | 996 352 961 30 | connecting line | | 2 | TURBO M450 | | | | | | |
| (12) | 996 352 961 30 | connecting line | | 2 | GT2 | | | | | | |
| (12) | 996 351 962 00 | connecting line | /L | 1 | GT2 M449 | | | | | | |
| (12) | 996 351 961 00 | connecting line | /R | 1 | GT2 M449 | | | | | | |
| 13 | 930 351 919 00 | ventilation valve | | 4 | | | | | | | |
| 14 | 930 351 927 00 | cap | | 4 | | | | | | | |
| 15 | 000 043 117 00 | brake cylinder paste 50 G | | X | | | | | | | |

| | | | | | | | | | | | |
|-------|------|----|----|--------------|--------------|-----|-------|------------|---------|-----|---------|
| Model | Year | MG | SG | Illustration | Restrictions | UPD | 19:53 | 24.01.2010 | PORSCHE | PET | PORSCHE |
| 996T | 2005 | 6 | 03 | 603-05 | | 248 | | | | | |



| Pos | Part Number | Description | Remark | Qty | Model |
|-----|------------------|------------------------------|--------|-----|-------|
| | | handbrake | | | |
| 1 | 928 352 097 10 | brake shoe | -02 | 4 | |
| (1) | 996 352 993 01 | brake shoe 1 set | 03- | 1 | |
| 2 | 993 352 071 00 | adjusting screw | | 2 | |
| 3 | 911 352 944 00 | support bush | | 2 | |
| 4 | A 996 352 721 00 | tension spring short | | 2 | |
| (4) | 997 352 721 00 | tension spring short | | 2 | |
| 5 | 996 352 723 00 | tension spring long | | 2 | |
| 6 | 928 352 441 01 | actuating lever | | 2 | |
| 7 | 928 352 443 01 | clip | | 2 | |
| 8 | 993 352 735 00 | articulated bolt | | 2 | |
| 9 | 928 352 447 00 | bolt | | 2 | |
| 10 | 996 352 741 00 | compression spring | | 4 | |
| 11 | 996 352 807 00 | supporting plate | | 2 | |
| 12 | 993 352 073 00 | push-button lock complete | | 2 | |

| | | | | | | | | | | | |
|-------|------|----|----|--------------|--------------|-----|-------|------------|---------|-----|---------|
| Model | Year | MG | SG | Illustration | Restrictions | UPD | 19:53 | 24.01.2010 | PORSCHE | PET | PORSCHE |
| 996T | 2005 | 6 | 04 | 604-00 | | 248 | | | | | |

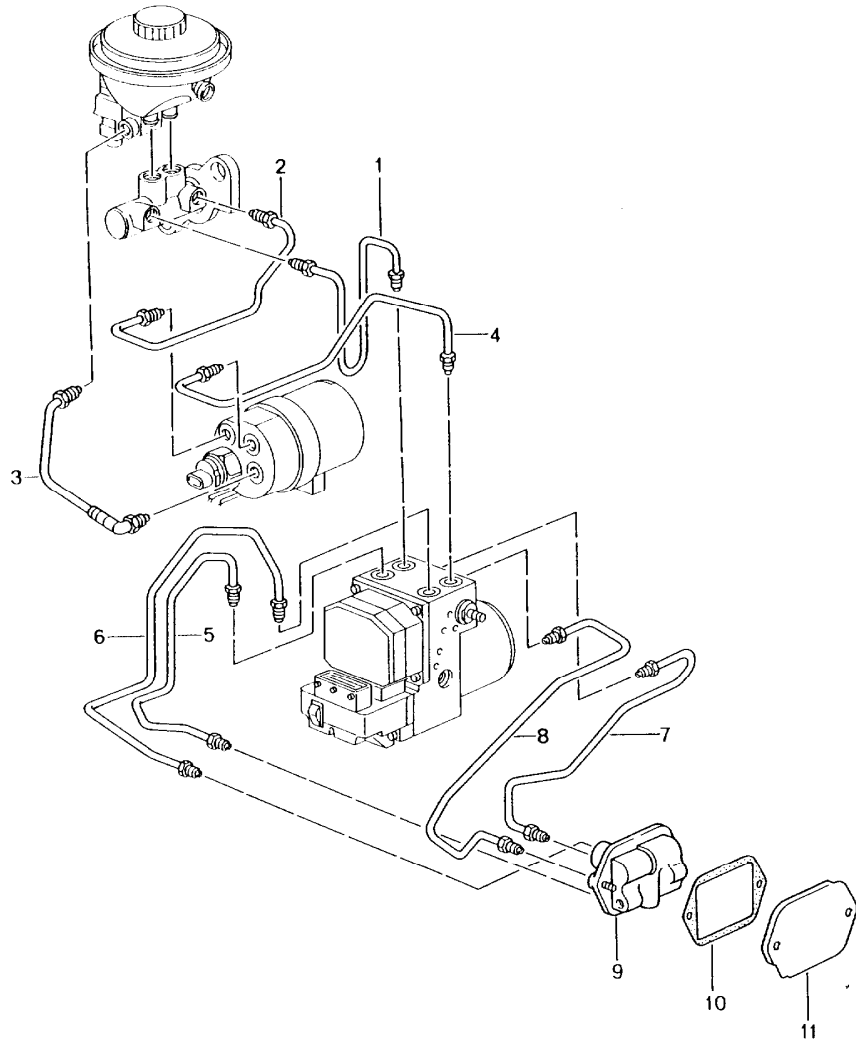


| Pos | Part Number | Description | Remark | Qty | Model |
|------|----------------|--|---------|-----|-------|
| | | brake master cylinder brake booster pre-charge pump | | | |
| 1 | 996 355 013 47 | container | -03 | 1 | TURBO |
| (1) | 996 355 013 49 | container | 04- | 1 | TURBO |
| (1) | 996 355 013 00 | container | -03 | 1 | GT2 |
| (1) | 996 355 013 01 | container | 04- | 1 | GT2 |
| 2 | 996 355 119 01 | screw cap | | 1 | |
| - | 996 355 125 01 | contacts for container 996.355.013.47 996.355.013.49 | | 1 | TURBO |
| - A | 996 355 125 00 | contacts for container 996.355.013.00 | -03 | 1 | GT2 |
| - | 996 355 125 02 | contacts for container 996.355.013.00/01 | 04- | 1 | GT2 |
| 3 | 999 073 124 09 | pan-head screw M 8 X 154 X 80 | | 2 | |
| 4 | 996 355 923 00 | brake booster | | 1 | TURBO |
| (4) | 996 355 923 90 | brake booster | | 1 | GT2 |
| - | 996 355 137 01 | cap threaded joint brake booster | | 1 | |
| 5 | 996 355 910 50 | brake master cylinder | | 1 | |
| 6 | 993 355 922 00 | gasket | | 2 | |
| 7 | 999 702 182 40 | gasket | | 1 | |
| 8 | 997 355 925 00 | hexagon nut | | 2 | |
| 9 | 996 355 912 00 | sealing ring | | 1 | |
| (10) | 996 355 577 42 | vacuum line | /LL -03 | 1 | TURBO |
| (10) | 996 355 577 43 | vacuum line | /LL 04- | 1 | TURBO |
| (10) | 996 355 577 02 | vacuum line | /LL | 1 | GT2 |

| | | | | | | | | | | | |
|-------|------|----|----|--------------|--------------|-----|-------|------------|---------|-----|---------|
| Model | Year | MG | SG | Illustration | Restrictions | UPD | 19:53 | 24.01.2010 | PORSCHE | PET | PORSCHE |
| 996T | 2005 | 6 | 04 | 604-00 | | 248 | | | | | |

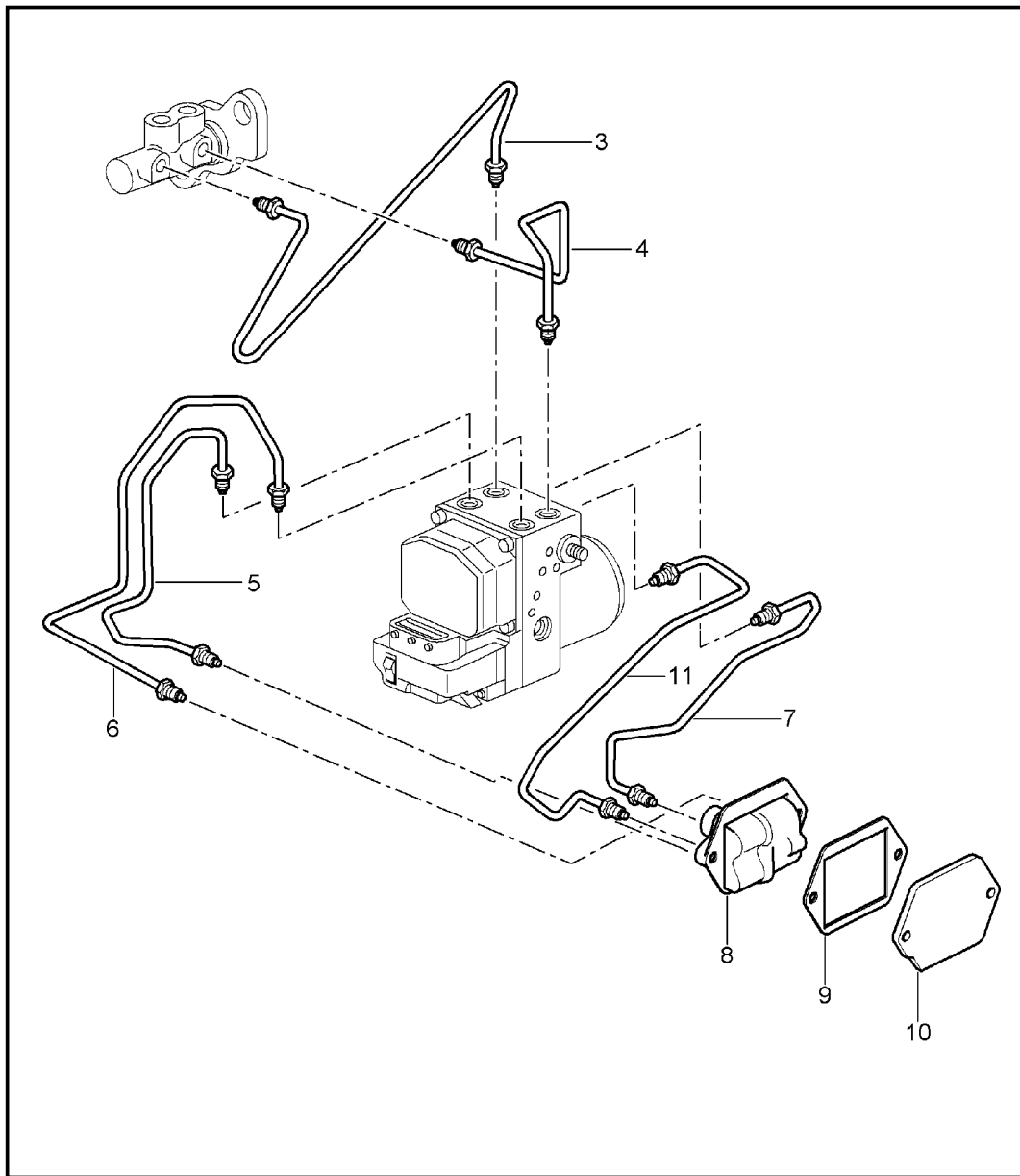
| Pos | Part Number | Description | Remark | Qty | Model | Pos | Part Number | Description | Remark | Qty | Model |
|------|----------------|-------------------------------------|---------|-----|-------|-----|----------------|--------------------|--------|-----|-------|
| (10) | 996 355 578 42 | vacuum line | /RL -03 | 1 | TURBO | 27 | 900 380 015 01 | hexagon nut M 6 | | 1 | |
| (10) | 996 355 578 43 | vacuum line | /RL 04- | 1 | TURBO | 28 | 999 512 672 00 | clamp | | 1 | |
| (10) | 996 355 578 42 | vacuum line | /RL -03 | 1 | GT2 | 29 | 996 423 269 05 | bellows | | 1 | |
| (10) | 996 355 578 43 | vacuum line | /RL 04- | 1 | GT2 | 30 | 999 512 478 00 | hose clamp | | 1 | |
| 11 | 996 423 251 01 | intermediate piece | | 1 | | | | | | | |
| 12 | 900 067 240 02 | combination screw M 6 X 12 Z1 | | 2 | | | | | | | |
| 13 | 999 703 448 50 | stopper | /R | 1 | | | | | | | |
| 14 | 900 380 005 09 | hexagon nut M 8 | | 2 | | | | | | | |
| 15 | 996 355 221 00 | grommet | | 1 | | | | | | | |
| 16 | 996 423 301 00 | gasket | | 1 | | | | | | | |
| - | 996 355 901 01 | gasket brake booster bulkhead | | 1 | | | | | | | |
| (17) | 996 355 975 41 | pre-charge pump | | 1 | TURBO | | | | | | |
| - | 999 512 390 00 | hose clamp 60-80/13 | | 1 | TURBO | | | | | | |
| 18 | 996 355 273 40 | support | | 1 | TURBO | | | | | | |
| 19 | 996 355 170 40 | support | | 1 | TURBO | | | | | | |
| 20 | 996 355 635 40 | adapter | | 1 | TURBO | | | | | | |
| 21 | 964 356 635 00 | rubber mounting | | 3 | TURBO | | | | | | |
| - | 999 045 004 40 | plastic nut | | 3 | TURBO | | | | | | |
| 22 | 999 166 080 02 | lock | | 3 | TURBO | | | | | | |
| (23) | 900 378 036 09 | hexagon-head bolt M 6 X 12 | | 1 | TURBO | | | | | | |
| 24 | 900 378 035 01 | hexagon-head bolt M 6 X 16 | | 2 | TURBO | | | | | | |
| 25 | 996 355 559 00 | bolt | | 2 | TURBO | | | | | | |
| 26 | 996 355 927 01 | connecting piece | | 1 | | | | | | | |
| 27 A | 900 380 015 09 | hexagon nut M 6 | | 1 | | | | | | | |

| | | | | | | | | | | | |
|-------|------|----|----|--------------|--------------|-----|-------|------------|---------|-----|---------|
| Model | Year | MG | SG | Illustration | Restrictions | UPD | 19:54 | 24.01.2010 | PORSCHE | PET | PORSCHE |
| 996T | 2005 | 6 | 04 | 604-05 | | 248 | | | | | |



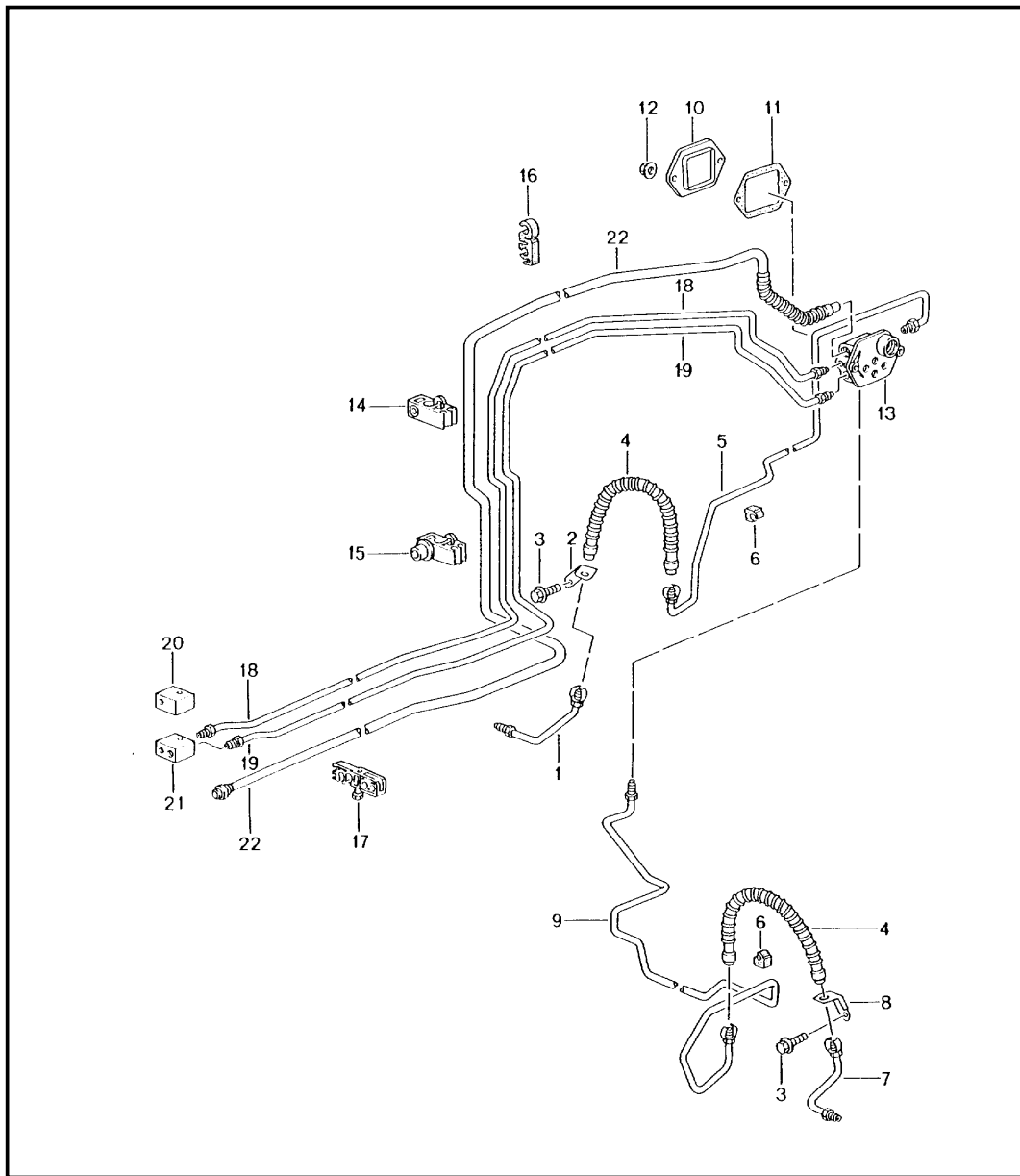
| Pos | Part Number | Description | Remark | Qty | Model |
|-------|----------------|-----------------------------------|--------|-----|-------|
| | | brake lines body front section | | | TURBO |
| (1) | 996 355 311 42 | pressure line | /LL | 1 | |
| (1) | 996 355 312 41 | pressure line | /RL | 1 | |
| 2 | 996 355 307 40 | pressure line | | 1 | |
| 3 | 996 355 323 41 | feed line | | 1 | |
| (4) A | 996 355 333 41 | pressure line | /LL | 1 | |
| (4) | 996 355 333 42 | pressure line | /LL | 1 | |
| (4) | 996 355 330 41 | pressure line | /RL | 1 | |
| (5) U | 996 355 315 42 | pressure line | | 1 | |
| (5) | 996 355 315 43 | pressure line | | 1 | |
| (6) U | 996 355 327 42 | pressure line | | 1 | |
| (6) | 996 355 327 43 | pressure line | | 1 | |
| (7) | 996 355 316 41 | pressure line | | 1 | |
| (8) | 996 355 326 40 | pressure line | | 1 | |
| 9 | 996 355 650 27 | intermediate piece | | 1 | |
| 10 | 996 355 752 00 | gasket | -01 | 1 | |
| (10) | 996 355 752 01 | gasket | 02- | 1 | |
| 11 | 996 355 753 00 | reinforcement | | 1 | |

| | | | | | | | | | | | |
|-------|------|----|----|--------------|--------------|-----|-------|------------|---------|-----|---------|
| Model | Year | MG | SG | Illustration | Restrictions | UPD | 19:54 | 24.01.2010 | PORSCHE | PET | PORSCHE |
| 996T | 2005 | 6 | 04 | 604-06 | | 248 | | | | | |



| Pos | Part Number | Description | Remark | Qty | Model |
|-----|----------------|-----------------------------------|--------|-----|-------|
| | | brake lines body front section | | | GT2 |
| 3 | 996 355 311 41 | pressure line | /LL | 1 | |
| (3) | 996 355 310 41 | pressure line | /RL | 1 | |
| 4 | 996 355 313 90 | pressure line | /LL | -03 | 1 |
| (4) | 996 355 313 91 | pressure line | /LL | 04- | 1 |
| (4) | 996 355 328 90 | pressure line | /RL | -03 | 1 |
| (4) | 996 355 328 91 | pressure line | /RL | 04- | 1 |
| 5 | 996 355 315 02 | pressure line | | -03 | 1 |
| (5) | 996 355 315 43 | pressure line | | 04- | 1 |
| 6 | 996 355 327 03 | pressure line | | -03 | 1 |
| (6) | 996 355 327 43 | pressure line | | 04- | 1 |
| 7 | 996 355 326 04 | pressure line | | -03 | 1 |
| (7) | 996 355 316 41 | pressure line | | 04- | 1 |
| 8 | 996 355 650 02 | intermediate piece | | -03 | 1 |
| (8) | 996 355 650 27 | intermediate piece | | 04- | 1 |
| 9 | 996 355 752 00 | gasket | | -01 | 1 |
| (9) | 996 355 752 01 | gasket | | 02- | 1 |
| 10 | 996 355 753 00 | reinforcement | | | 1 |
| 11 | 996 355 326 40 | pressure line | | | 1 |

| | | | | | | | | | | | |
|-------|------|----|----|--------------|--------------|-----|-------|------------|---------|-----|---------|
| Model | Year | MG | SG | Illustration | Restrictions | UPD | 19:54 | 24.01.2010 | PORSCHE | PET | PORSCHE |
| 996T | 2005 | 6 | 04 | 604-10 | | 248 | | | | | |

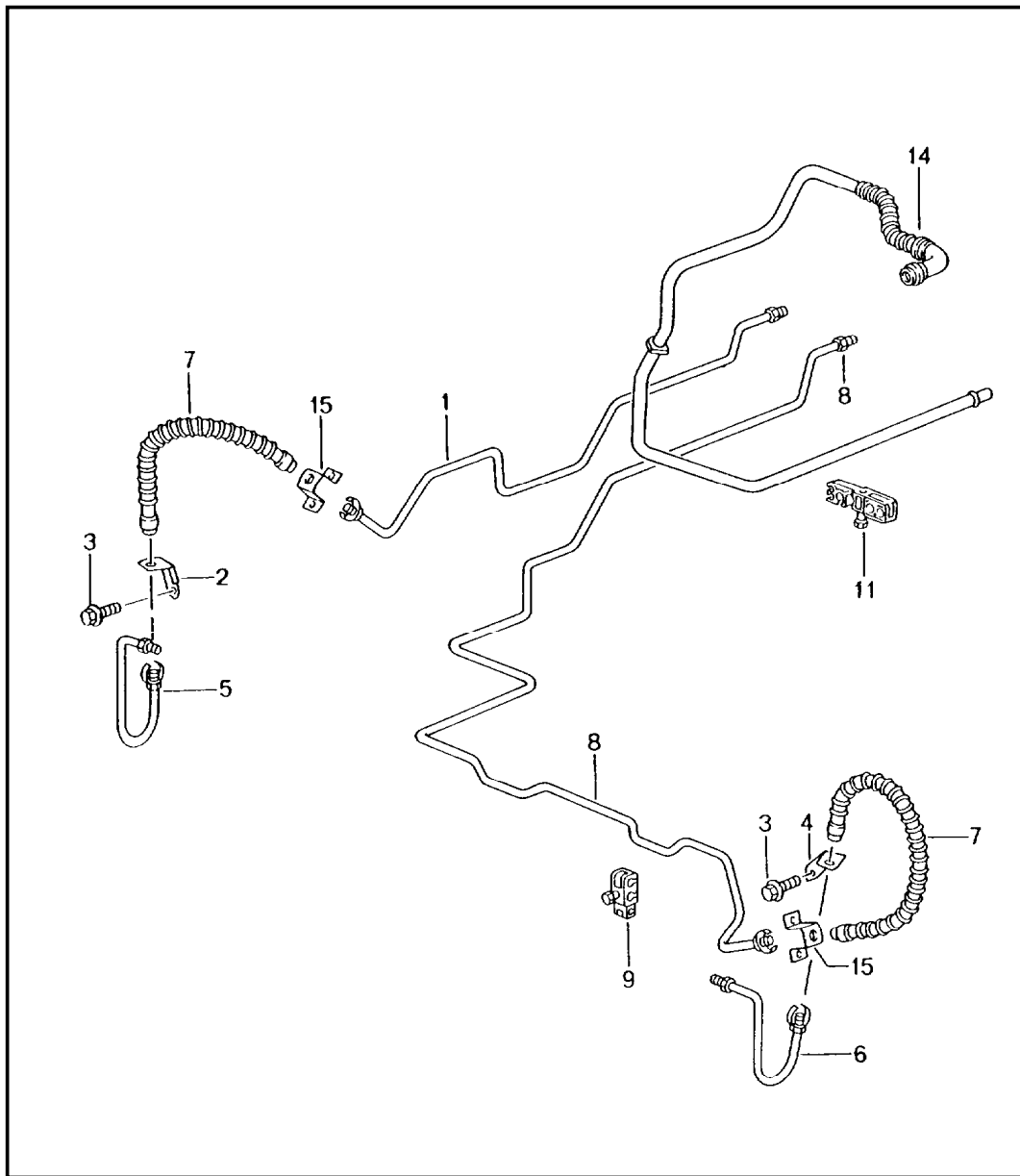


| Pos | Part Number | Description | Remark | Qty | Model |
|------|------------------|---|--------|-----|---------------|
| | | brake lines front axle underbody vacuum line | | | |
| 1 | 996 355 587 02 | brake line | /L | 1 | TURBO |
| (1) | 996 355 587 03 | brake line | /L | 1 | TURBO M450 |
| (1) | 996 355 581 9B | brake line | /L | 1 | GT2 |
| 2 | 996 355 507 05 | support | /L | 1 | TURBO |
| (2) | 996 355 501 06 | support | /L | 1 | GT2 |
| 3 | 900 067 117 09 | combination screw M 6 X 16 | | 2 | |
| 4 | 996 355 139 01 | brake hose | | 2 | |
| 5 | 996 355 175 28 | brake line | /L | 1 | TURBO |
| (5) | 996 355 175 08 | brake line | /L | 1 | GT2 |
| 6 | 999 591 930 40 | cable holder | | X | |
| 7 | 996 355 588 02 | brake line | /R | 1 | TURBO |
| (7) | 996 355 588 03 | brake line | /R | 1 | TURBO M450 |
| (7) | 996 355 584 9B | brake line | /R | 1 | GT2 |
| 8 | 996 355 508 05 | support | /R | 1 | TURBO |
| (8) | 996 355 502 06 | support | /R | 1 | GT2 |
| 9 | 996 355 176 32 | brake line | /R | 1 | TURBO |
| (9) | 996 355 176 90 | brake line | /R | 1 | GT2 |
| 10 | 996 355 753 00 | reinforcement | | 1 | |
| 11 | 996 355 752 00 | gasket | -01 | 1 | |
| (11) | 996 355 752 01 | gasket | 02- | 1 | |
| 12 | A 900 380 015 09 | hexagon nut M 6 | | 3 | |
| 12 | 900 380 015 01 | hexagon nut M 6 | | 3 | |
| 13 | 996 355 650 27 | intermediate piece | | 1 | TURBO |
| (13) | 996 355 650 02 | intermediate piece | | 1 | GT2 |

| | | | | | | | | | | | |
|-------|------|----|----|--------------|--------------|-----|-------|------------|---------|-----|---------|
| Model | Year | MG | SG | Illustration | Restrictions | UPD | 19:54 | 24.01.2010 | PORSCHE | PET | PORSCHE |
| 996T | 2005 | 6 | 04 | 604-10 | | 248 | | | | | |

| Pos | Part Number | Description | Remark | Qty | Model | Pos | Part Number | Description | Remark | Qty | Model |
|------|----------------|------------------|--------|-----|-------|-----|-------------|-------------|--------|-----|-------|
| 14 | 996 355 545 00 | support | | 3 | | | | | | | |
| 15 | 996 355 549 00 | support | | 1 | | | | | | | |
| 16 | 996 355 547 01 | support | | 2 | | | | | | | |
| 17 | 996 355 543 00 | support | | 1 | | | | | | | |
| 18 | 996 355 177 07 | brake line | -02 | 1 | | | | | | | |
| (18) | 996 355 177 08 | brake line | 03- | 1 | | | | | | | |
| 19 | 996 355 179 07 | brake line | -02 | 1 | TURBO | | | | | | |
| (19) | 996 355 179 08 | brake line | 03- | 1 | TURBO | | | | | | |
| | | brake line | 04- | 1 | GT2 | | | | | | |
| (21) | 996 355 760 31 | connecting piece | | 1 | TURBO | | | | | | |
| (21) | 996 355 660 06 | connecting piece | | 1 | GT2 | | | | | | |
| 22 | 996 355 571 07 | vacuum line | | 1 | | | | | | | |
| - | 999 230 535 40 | lock | | 1 | | | | | | | |
| | | connecting piece | | | | | | | | | |
| | | vacuum line | | | | | | | | | |

| | | | | | | | | | | | |
|-------|------|----|----|--------------|--------------|-----|-------|------------|---------|-----|---------|
| Model | Year | MG | SG | Illustration | Restrictions | UPD | 19:54 | 24.01.2010 | PORSCHE | PET | PORSCHE |
| 996T | 2005 | 6 | 04 | 604-15 | | 248 | | | | | |

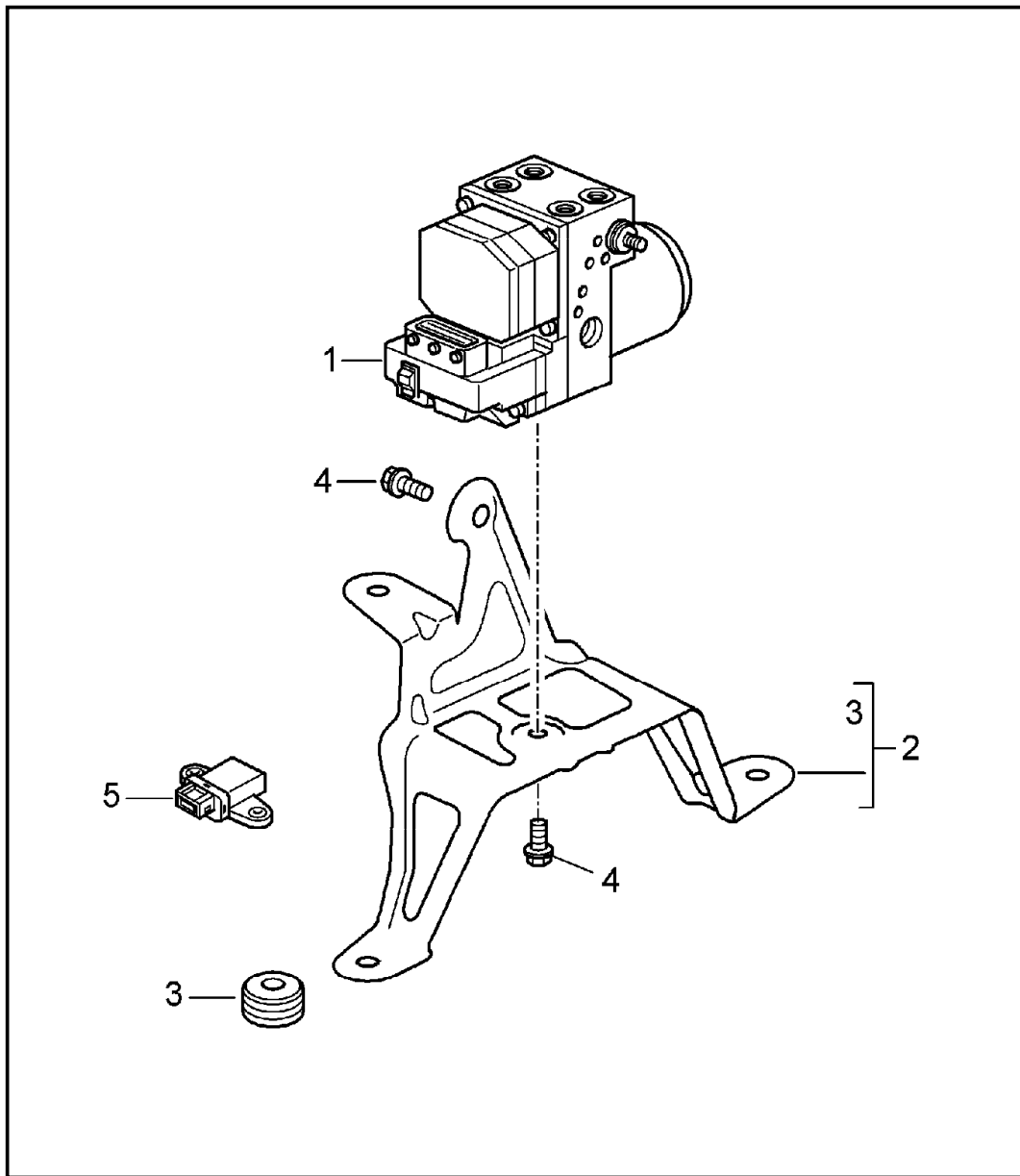


| Pos | Part Number | Description | Remark | Qty | Model |
|-----|----------------|---|----------|-----|----------------------|
| 1 | 996 355 189 06 | brake line underbody rear axle vacuum line | /L | -02 | 1 |
| (1) | 996 355 189 07 | brake line F >>994S6 80654 F >>994S6 70658 F >>994S6 95107 | /L | 03- | 1 |
| (1) | 997 355 189 00 | brake line F 994S6 80655>> F 994S6 70659>> F 994S6 95108>> | /R | | 1 |
| 2 | 996 355 503 00 | support | /L /L | 1 | TURBO GT2 M449 |
| (2) | 996 355 503 10 | support | /L | 1 | TURBO M450 |
| (2) | 996 355 503 10 | support | /L | 1 | GT2 |
| 3 | 900 067 117 09 | combination screw M 6 X 16 | | 2 | |
| 4 | 996 355 504 00 | support | /R /R | 1 | TURBO GT2 M449 |
| (4) | 996 355 504 10 | support | /R | 1 | TURBO M450 |
| (4) | 996 355 504 10 | support | /R | 1 | GT2 |
| 5 | 996 355 585 00 | brake line | /L /L | 1 | TURBO GT2 M449 |
| (5) | 996 355 585 10 | brake line | /L | 1 | TURBO M450 |
| (5) | 996 355 585 10 | brake line | /L | 1 | GT2 |
| 6 | 996 355 586 00 | brake line | /R /R | 1 | TURBO GT2 M449 |
| (6) | 996 355 586 10 | brake line | /R | 1 | TURBO M450 |
| (6) | 996 355 586 10 | brake line | /R | 1 | GT2 |
| 7 | 996 355 139 00 | brake hose | | 2 | |

| | | | | | | | | | | | |
|-------|------|----|----|--------------|--------------|-----|-------|------------|---------|-----|---------|
| Model | Year | MG | SG | Illustration | Restrictions | UPD | 19:54 | 24.01.2010 | PORSCHE | PET | PORSCHE |
| 996T | 2005 | 6 | 04 | 604-15 | | 248 | | | | | |

| Pos | Part Number | Description | Remark | Qty | Model | Pos | Part Number | Description | Remark | Qty | Model |
|-------|----------------|--|--------|-----|-------|-----|-------------|-------------|--------|-----|-------|
| 8 | 996 355 190 51 | brake line | -01 | 1 | | | | | | | |
| (8) | 996 355 190 52 | brake line | 02 | 1 | | | | | | | |
| (8) | 996 355 190 53 | brake line F >>994S6 80654 F >>994S6 70658 F >>994S6 95107 | 03- | 1 | | | | | | | |
| (8) A | 997 355 190 01 | brake line | /R | 1 | | | | | | | |
| (8) | 997 355 190 02 | brake line F 994S6 80655>> F 994S6 70659>> F 994S6 95108>> | /R | 1 | | | | | | | |
| 9 | 996 347 543 00 | support | | 3 | | | | | | | |
| 11 | 996 355 543 00 | support | | 1 | | | | | | | |
| 14 | 996 355 575 51 | vacuum line F >>994S6 80654 F >>994S6 70658 F >>994S6 95107 | | 1 | | | | | | | |
| (14) | 997 355 575 01 | vacuum line F 994S6 80655>> F 994S6 70659>> F 994S6 95108>> | | 1 | | | | | | | |
| - | 999 507 495 40 | support | | 1 | | | | | | | |
| 15 | 996 501 815 02 | support | | 2 | | | | | | | |
| | GRV | prime coated | | | | | | | | | |

| | | | | | | | | | | | |
|-------|------|----|----|--------------|--------------|-----|-------|------------|---------|-----|---------|
| Model | Year | MG | SG | Illustration | Restrictions | UPD | 19:54 | 24.01.2010 | PORSCHE | PET | PORSCHE |
| 996T | 2005 | 6 | 05 | 605-00 | | 248 | | | | | |

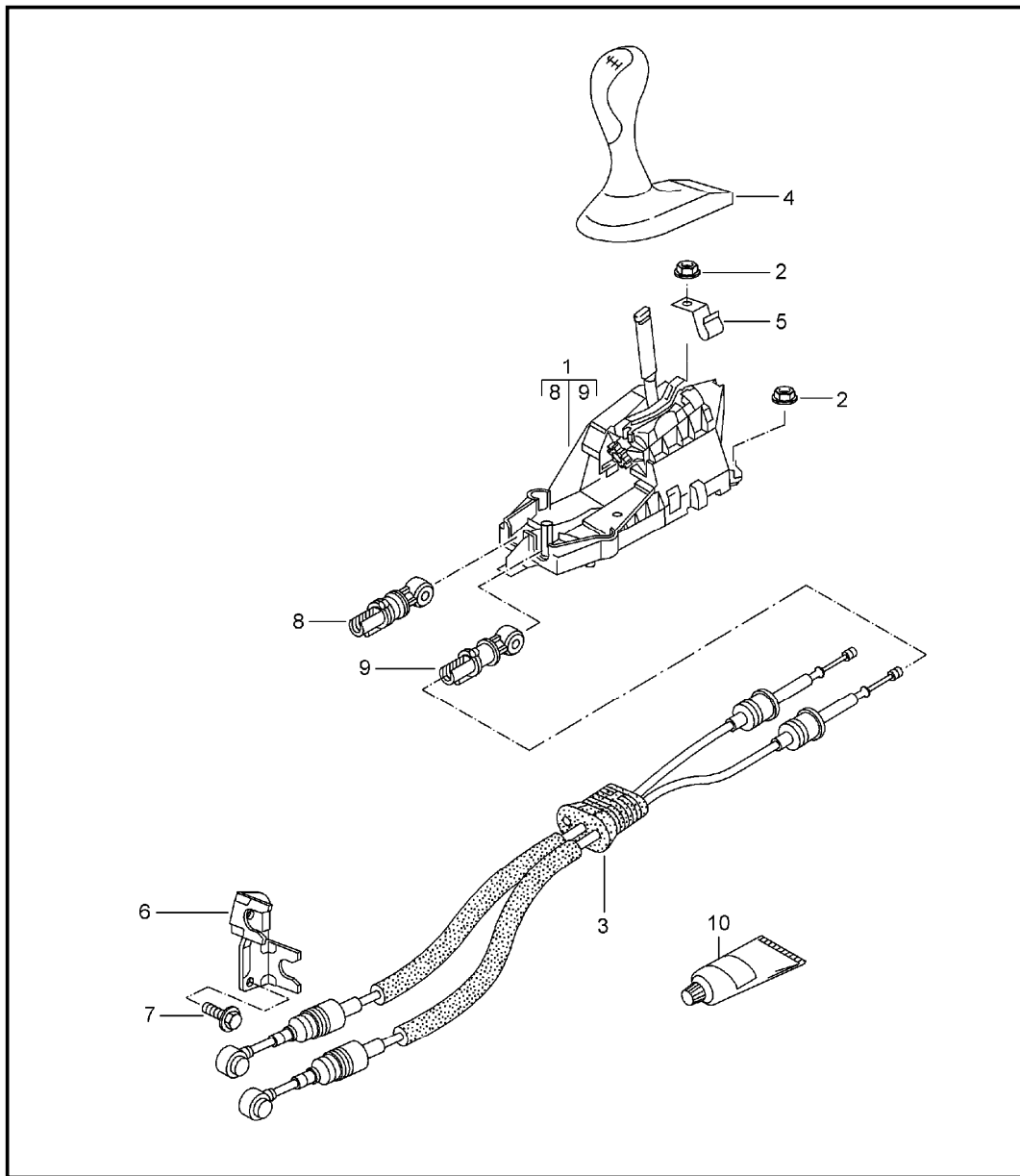


| Pos | Part Number | Description | Remark | Qty | Model |
|-----|------------------|---|--------|-----|-------|
| | | hydraulic unit anti-lock brake system control | | | |
| 1 | A 996 355 955 51 | hydraulic unit 5.7 see technical manual group 0 diagnostic NR.45-5 | | 1 | TURBO |
| (1) | A 996 355 955 57 | hydraulic unit 5.7 see technical manual group 0 diagnostic NR.45-5 | | 1 | TURBO |
| (1) | A 996 355 955 58 | hydraulic unit 5.7 see technical manual group 0 diagnostic NR.45-5 | | 1 | TURBO |
| (1) | 996 355 955 59 | hydraulic unit 5.7 see technical manual group 0 diagnostic NR.45-5 | | 1 | TURBO |
| (1) | 996 355 955 30 | hydraulic unit 5.3 | -03 | 1 | GT2 |
| (1) | 996 355 955 93 | hydraulic unit 5.7 | 04- | 1 | GT2 |
| 2 | 996 355 033 41 | support with rubber mounting | | 1 | TURBO |
| (2) | 996 355 033 02 | support complete | -03 | 1 | GT2 |
| (2) | 996 355 033 41 | support with rubber mounting | 04- | 1 | GT2 |
| 3 | 964 356 635 00 | rubber mounting | | 2 | TURBO |
| (3) | 964 356 635 00 | rubber mounting | 04- | 2 | GT2 |
| 4 | 900 378 036 09 | hexagon-head bolt M 6 X 12 | | 2 | |

| | | | | | | | | | | | |
|-------|------|----|----|--------------|--------------|-----|-------|------------|---------|-----|---------|
| Model | Year | MG | SG | Illustration | Restrictions | UPD | 19:54 | 24.01.2010 | PORSCHE | PET | PORSCHE |
| 996T | 2005 | 6 | 05 | 605-00 | | 248 | | | | | |

| Pos | Part Number | Description | Remark | Qty | Model | Pos | Part Number | Description | Remark | Qty | Model |
|-----|----------------|--|--------|-----|-------|-----|-------------|-------------|--------|-----|-------|
| (5) | 996 606 147 00 | sensor see technical manual group 0 diagnostic NR.45-5 | | 1 | TURBO | | | | | | |
| (5) | 996 606 145 00 | sensor see technical manual group 0 diagnostic NR.45-5 | | 1 | TURBO | | | | | | |
| - | 996 622 901 00 | adapter cable for sensor 996.606.145.00 see technical manual group 4 NR.45-7 | | 1 | TURBO | | | | | | |
| - | 996 610 224 00 | cable guide sensor see technical manual group 0 diagnostic NR.45-5 | | 1 | TURBO | | | | | | |
| - | 996 606 143 00 | retaining bar sensor see technical manual group 0 diagnostic NR.45-5 | | 1 | TURBO | | | | | | |

| | | | | | | | | | | | |
|-------|------|----|----|--------------|--------------|-----|-------|------------|---------|-----|---------|
| Model | Year | MG | SG | Illustration | Restrictions | UPD | 19:55 | 24.01.2010 | PORSCHE | PET | PORSCHE |
| 996T | 2005 | 7 | 01 | 701-00 | | 248 | | | | | |



| Pos | Part Number | Description | Remark | Qty | Model |
|-------|----------------|--|--------|-----|---------------|
| | | transmission control manual transmission | | | |
| 1 | 986 424 010 02 | gearshift bracket | -02 | 1 | |
| (1) | 986 424 010 03 | gearshift bracket | 03 | 1 | |
| (1) | 996 424 010 05 | gearshift bracket | 04- | 1 | TURBO |
| (1) | 986 424 010 03 | gearshift bracket | | 1 | GT2 |
| (1) A | 996 424 983 00 | gearshift bracket | 04 | 1 | TURBO IXCZ |
| (1) | 997 424 983 00 | gearshift bracket | 05- | 1 | TURBO IXCZ |
| 2 | 999 084 629 09 | hexagon nut M 6 | | 4 | |
| 3 A | 996 424 041 10 | cable | -01 | 1 | TURBO |
| (3) A | 996 424 041 12 | cable | 02- | 1 | TURBO |
| (3) | 996 424 041 14 | cable | 04- | 1 | TURBO |
| (3) A | 996 424 041 88 | cable | -03 | 1 | GT2 |
| (3) A | 996 424 041 89 | cable | 04- | 1 | GT2 |
| (3) | 996 424 041 90 | cable | | 1 | |
| - | 986 424 411 00 | retaining clip mount cable for support | | 2 | |
| 4 | 996 424 075 05 | gearshift knob | -02 | 1 | TURBO |
| | FEN | cinnamon brown silver | | | |
| | VRE | dark grey/natural silver | | | |
| | VRF | brown/natural silver | | | |
| | FBH | black silver | | | |
| | EVZ | black silver | | | |
| | FBX | graphite grey silver | | | |

| | | | | | | | | | | | |
|-------|------|----|----|--------------|--------------|-----|-------|------------|---------|-----|---------|
| Model | Year | MG | SG | Illustration | Restrictions | UPD | 19:55 | 24.01.2010 | PORSCHE | PET | PORSCHE |
| 996T | 2005 | 7 | 01 | 701-00 | | 248 | | | | | |

| Pos | Part Number | Description | Remark | Qty | Model | Pos | Part Number | Description | Remark | Qty | Model |
|-----|----------------|-----------------------------------|----------|-----|---------|-----|----------------|-----------------------------------|---------|-----|-------------|
| | ENJ | graphite grey silver | | | | | VTA | dark grey/natural | | | |
| | FBJ | savanna silver | | | | | VTM | brown/natural | | | |
| | ENK | savanna silver | | | | (4) | 996 424 075 90 | gearshift knob | -02 | 1 | GT2 |
| | FBK | metropole blue silver | | | | | EVZ | black | | | |
| | ENL | metropole blue silver | | | | | VRE | dark grey/natural | 02 | | |
| | FBL | nephrite green silver | | | | | VRF | brown/natural | 02 | | |
| | ENN | nephrite green silver | | | | (4) | 996 424 075 90 | gearshift knob | 03- | 1 | GT2 |
| | FBM | boxster red silver | | | | | FGT | black sport silver | | | |
| | ENO | boxster red silver | | | | | VSW | dark grey/natural sport silver | | | |
| 4 | 996 424 075 05 | gearshift knob | 03- | 1 | TURBO | (4) | 996 424 981 18 | gearshift knob | -02 | 1 | GT2 IX47 |
| | FGT | black sport silver | | | | | VRJ | black | | | |
| | FGU | graphite grey sport silver | | | | | D11 | dark grey/natural | 02- | | |
| | FGV | savanna sport silver | | | | | T11 | brown/natural | 02- | | |
| | FGW | metropole blue sport silver | | | | (4) | 996 424 981 31 | gearshift knob | 03- | 1 | GT2 IX47 |
| | FGX | nephrite green sport silver | 03 03 | | | | VRJ | black | | | |
| | FGY | boxster red sport silver | | | | | D11 | dark grey/natural | 02- | | |
| | FGZ | cinnamon brown sport silver | | | | | T11 | brown/natural | 02- | | |
| | VSW | dark grey/natural sport silver | | | | (4) | 996 424 981 07 | gearshift knob | /LL -02 | 1 | IX97 |
| | VSX | brown/natural sport silver | | | | | VRJ | black | | | |
| (4) | 996 424 075 20 | gearshift knob | 05- | 1 | TURBO S | | C50 | graphite grey | | | |
| | | | | | | | S30 | savanna | | | |
| | | | | | | | G10 | metropole blue | | | |
| | | | | | | | M30 | boxster red | | | |
| | | | | | | | P11 | cinnamon brown | | | |
| | | | | | | | D11 | dark grey/natural | | | |

| | | | | | | | | | | | |
|-------|------|----|----|--------------|--------------|-----|-------|------------|---------|-----|---------|
| Model | Year | MG | SG | Illustration | Restrictions | UPD | 19:55 | 24.01.2010 | PORSCHE | PET | PORSCHE |
| 996T | 2005 | 7 | 01 | 701-00 | | 248 | | | | | |

| Pos | Part Number | Description | Remark | Qty | Model | Pos | Part Number | Description | Remark | Qty | Model |
|-----|----------------|-------------------|--------|-----|--------|-----|----------------|-------------------|--------|-----|--------|
| | T11 | brown/natural | | | | | VRJ | black | | | |
| (4) | 996 424 981 08 | gearshift knob | /RL | -02 | 1 IX97 | | C50 | graphite grey | | | |
| | VRJ | black | | | | | S30 | savanna | | | |
| | C50 | graphite grey | | | | | G10 | metropole blue | | | |
| | S30 | savanna | | | | | M30 | boxster red | | | |
| | G10 | metropole blue | | | | | P11 | cinnamon brown | | | |
| | M30 | boxster red | | | | | D11 | dark grey/natural | | | |
| | P11 | cinnamon brown | | | | | T11 | brown/natural | | | |
| | D11 | dark grey/natural | | | | (4) | 996 424 981 12 | gearshift knob | /RL | -02 | 1 IXE8 |
| | T11 | brown/natural | | | | | VRJ | black | | | |
| (4) | 996 424 981 09 | gearshift knob | /LL | -02 | 1 IX72 | | C50 | graphite grey | | | |
| | VRJ | black | | | | | S30 | savanna | | | |
| | C50 | graphite grey | | | | | G10 | metropole blue | | | |
| | S30 | savanna | | | | | M30 | boxster red | | | |
| | G10 | metropole blue | | | | | P11 | cinnamon brown | | | |
| | M30 | boxster red | | | | | D11 | dark grey/natural | | | |
| | P11 | cinnamon brown | | | | | T11 | brown/natural | | | |
| | D11 | dark grey/natural | | | | (4) | 996 424 981 13 | gearshift knob | /LL | -02 | 1 IX47 |
| | T11 | brown/natural | | | | | VRJ | black | | | |
| (4) | 996 424 981 10 | gearshift knob | /RL | -02 | 1 IX72 | | C50 | graphite grey | | | |
| | VRJ | black | | | | | S30 | savanna | | | |
| | C50 | graphite grey | | | | | G10 | metropole blue | | | |
| | S30 | savanna | | | | | M30 | boxster red | | | |
| | G10 | metropole blue | | | | | P11 | cinnamon brown | | | |
| | M30 | boxster red | | | | | D11 | dark grey/natural | | | |
| | P11 | cinnamon brown | | | | | T11 | brown/natural | | | |
| | D11 | dark grey/natural | | | | (4) | 996 424 981 14 | gearshift knob | /RL | -02 | 1 IX47 |
| | T11 | brown/natural | | | | | VRJ | black | | | |
| (4) | 996 424 981 11 | gearshift knob | /LL | -02 | 1 IXE8 | | C50 | graphite grey | | | |

| | | | | | | | | | | | |
|-------|------|----|----|--------------|--------------|-----|-------|------------|---------|-----|---------|
| Model | Year | MG | SG | Illustration | Restrictions | UPD | 19:55 | 24.01.2010 | PORSCHE | PET | PORSCHE |
| 996T | 2005 | 7 | 01 | 701-00 | | 248 | | | | | |

| Pos | Part Number | Description | Remark | Qty | Model | Pos | Part Number | Description | Remark | Qty | Model |
|-----|----------------|-------------------|--------|-----|--------|-----|----------------|-------------------|--------|-----|--------|
| | S30 | savanna | | | | | S30 | savanna | | | |
| | G10 | metropole blue | | | | | G10 | metropole blue | | | |
| | M30 | boxster red | | | | | J30 | nephrite green | 03 | | |
| | P11 | cinnamon brown | | | | | M30 | boxster red | | | |
| | D11 | dark grey/natural | | | | | P11 | cinnamon brown | | | |
| | T11 | brown/natural | | | | | D11 | dark grey/natural | | | |
| (4) | 996 424 981 23 | gearshift knob | /LL | 03- | 1 IX97 | | T11 | brown/natural | | | |
| | VRJ | black | | | | (4) | 996 424 981 27 | gearshift knob | /RL | 03- | 1 IX72 |
| | C50 | graphite grey | | | | | VRJ | black | | | |
| | S30 | savanna | | | | | C50 | graphite grey | | | |
| | G10 | metropole blue | | | | | S30 | savanna | | | |
| | J30 | nephrite green | | 03 | | | G10 | metropole blue | | | |
| | M30 | boxster red | | | | | J30 | nephrite green | 03 | | |
| | P11 | cinnamon brown | | | | | M30 | boxster red | | | |
| | D11 | dark grey/natural | | | | | P11 | cinnamon brown | | | |
| | T11 | brown/natural | | | | | D11 | dark grey/natural | | | |
| (4) | 996 424 981 24 | gearshift knob | /RL | 03- | 1 IX97 | | T11 | brown/natural | | | |
| | VRJ | black | | | | (4) | 996 424 981 29 | gearshift knob | /LL | 03- | 1 IXE8 |
| | C50 | graphite grey | | | | | VRJ | black | | | |
| | S30 | savanna | | | | | C50 | graphite grey | | | |
| | G10 | metropole blue | | | | | S30 | savanna | | | |
| | J30 | nephrite green | | 03 | | | G10 | metropole blue | | | |
| | M30 | boxster red | | | | | J30 | nephrite green | 03 | | |
| | P11 | cinnamon brown | | | | | M30 | boxster red | | | |
| | D11 | dark grey/natural | | | | | P11 | cinnamon brown | | | |
| | T11 | brown/natural | | | | | D11 | dark grey/natural | | | |
| (4) | 996 424 981 26 | gearshift knob | /LL | 03- | 1 IX72 | | T11 | brown/natural | | | |
| | VRJ | black | | | | (4) | 996 424 981 30 | gearshift knob | /RL | 03- | 1 IXE8 |
| | C50 | graphite grey | | | | | VRJ | black | | | |

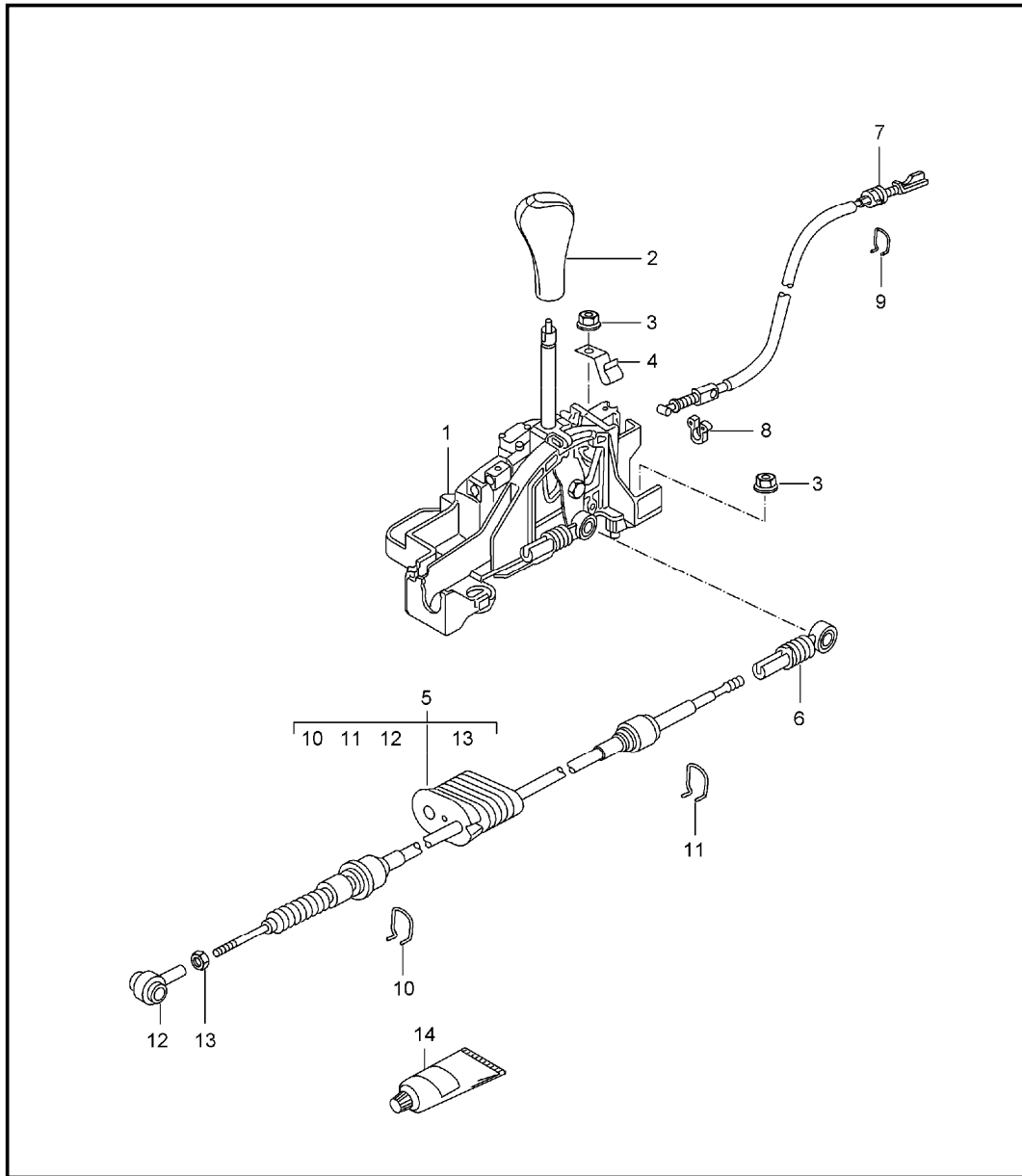
| | | | | | | | | | | | |
|-------|------|----|----|--------------|--------------|-----|-------|------------|---------|-----|---------|
| Model | Year | MG | SG | Illustration | Restrictions | UPD | 19:55 | 24.01.2010 | PORSCHE | PET | PORSCHE |
| 996T | 2005 | 7 | 01 | 701-00 | | 248 | | | | | |

| Pos | Part Number | Description | Remark | Qty | Model | Pos | Part Number | Description | Remark | Qty | Model |
|-----|----------------|-------------------|--------|-----|--------|-----|----------------|-------------------|--------|-----|-------------|
| | C50 | graphite grey | | | | (4) | 996 424 981 34 | gearshift knob | /LL | 05 | 1 /092 IX97 |
| | S30 | savanna | | | | | D11 | dark grey/natural | | | |
| | G10 | metropole blue | | | | | T11 | brown/natural | | | |
| | J30 | nephrite green | 03 | | | (4) | 996 424 981 35 | gearshift knob | /RL | 05 | 1 /092 IX97 |
| | M30 | boxster red | | | | | D11 | dark grey/natural | | | |
| | P11 | cinnamon brown | | | | | T11 | brown/natural | | | |
| | D11 | dark grey/natural | | | | (4) | 996 424 981 36 | gearshift knob | /LL | 05 | 1 /092 IX72 |
| | T11 | brown/natural | | | | | D11 | dark grey/natural | | | |
| (4) | 996 424 981 32 | gearshift knob | /LL | 03- | 1 IX47 | | T11 | brown/natural | | | |
| | VRJ | black | | | | | | | | | |
| | C50 | graphite grey | | | | (4) | 996 424 981 37 | gearshift knob | /RL | 05 | 1 /092 IX72 |
| | S30 | savanna | | | | | D11 | dark grey/natural | | | |
| | G10 | metropole blue | | | | | T11 | brown/natural | | | |
| | J30 | nephrite green | 03 | | | (4) | 996 424 981 38 | gearshift knob | /LL | 05 | 1 /092 IXE8 |
| | M30 | boxster red | | | | | D11 | dark grey/natural | | | |
| | P11 | cinnamon brown | | | | | T11 | brown/natural | | | |
| | D11 | dark grey/natural | | | | (4) | 996 424 981 39 | gearshift knob | /RL | 05 | 1 /092 IXE8 |
| | T11 | brown/natural | | | | | D11 | dark grey/natural | | | |
| (4) | 996 424 981 33 | gearshift knob | /RL | 03- | 1 IX47 | | T11 | brown/natural | | | |
| | VRJ | black | | | | | | | | | |
| | C50 | graphite grey | | | | (4) | 996 424 981 40 | gearshift knob | /LL | 05 | 1 /092 IX47 |
| | S30 | savanna | | | | | D11 | dark grey/natural | | | |
| | G10 | metropole blue | | | | | T11 | brown/natural | | | |
| | J30 | nephrite green | 03 | | | (4) | 996 424 981 41 | gearshift knob | /RL | 05 | 1 /092 IX47 |
| | M30 | boxster red | | | | | D11 | dark grey/natural | | | |
| | P11 | cinnamon brown | | | | | T11 | brown/natural | | | |
| | D11 | dark grey/natural | | | | | | | | | |
| | T11 | brown/natural | | | | 6 | 996 424 165 02 | support | | 1 | |

| | | | | | | | | | | | |
|-------|------|----|----|--------------|--------------|-----|-------|------------|---------|-----|---------|
| Model | Year | MG | SG | Illustration | Restrictions | UPD | 19:55 | 24.01.2010 | PORSCHE | PET | PORSCHE |
| 996T | 2005 | 7 | 01 | 701-00 | | 248 | | | | | |

| Pos | Part Number | Description | Remark | Qty | Model | Pos | Part Number | Description | Remark | Qty | Model |
|-----|----------------|--|--------|-----|-------|-----|-------------|-------------|--------|-----|-------|
| 7 | 999 073 209 09 | hexagon-head bolt M 10 X 20 | | 2 | | | | | | | |
| - | 996 424 445 00 | clip for fastening part | | X | | | | | | | |
| 8 | 996 424 145 01 | fastening part for cable adjustable | | 1 | | | | | | | |
| 9 | 996 424 147 00 | fastening part for cable adjustable | | 1 | | | | | | | |
| 10 | 000 043 205 93 | grease 1 100-gramme tube | | X | | | | | | | |

| | | | | | | | | | | | |
|-------|------|----|----|--------------|--------------|-----|-------|------------|---------|-----|---------|
| Model | Year | MG | SG | Illustration | Restrictions | UPD | 19:55 | 24.01.2010 | PORSCHE | PET | PORSCHE |
| 996T | 2005 | 7 | 01 | 701-01 | | 248 | | | | | |



| Pos | Part Number | Description | Remark | Qty | Model |
|-----|----------------|--------------------------|--------|-----|-------|
| 1 | 996 426 011 51 | selector lever tiptronic | | 1 | TURBO |
| - | 996 613 212 10 | switch selector lever | | 1 | |
| - | 996 624 223 00 | solenoid selector lever | | 1 | |
| 2 | 996 426 069 09 | gearshift knob | 01 | 1 | |
| | FEO | cinnamon brown silver | | | |
| | VRG | dark grey/natural silver | | | |
| | VRH | brown/natural silver | | | |
| | FBO | black silver | | | |
| | ERB | black silver | | | |
| | FBP | graphite grey silver | | | |
| | EOP | graphite grey silver | | | |
| | FBR | metropole blue silver | | | |
| | EOR | metropole blue silver | | | |
| | FBS | nephrite green silver | | | |
| | EOT | nephrite green silver | | | |
| | FBT | boxster red silver | | | |
| | EPC | boxster red silver | | | |
| | FBQ | savanna silver | | | |

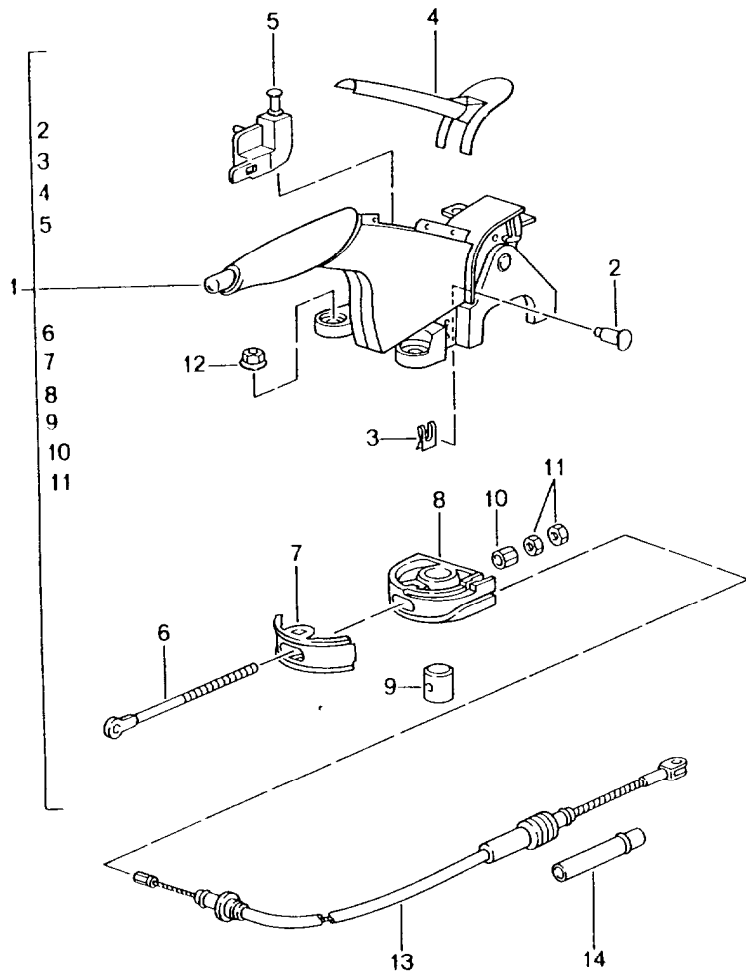
| | | | | | | | | | | | |
|-------|------|----|----|--------------|--------------|-----|-------|------------|---------|-----|---------|
| Model | Year | MG | SG | Illustration | Restrictions | UPD | 19:55 | 24.01.2010 | PORSCHE | PET | PORSCHE |
| 996T | 2005 | 7 | 01 | 701-01 | | 248 | | | | | |

| Pos | Part Number | Description | Remark | Qty | Model | Pos | Part Number | Description | Remark | Qty | Model |
|-----|----------------|--------------------------------|----------|-----|-------|-----|----------------|----------------------------|--------|-----|---------|
| | EOQ | savanna silver | | | | | VSV | brown/natural sport silver | | | |
| 2 | 996 426 069 10 | gearshift knob | 02 | 1 | | (2) | 996 426 069 10 | gearshift knob | 05- | 1 | TURBO S |
| | FEO | cinnamon brown silver | | | | | FKO | dark grey/natural | | | |
| | VRG | dark grey/natural silver | | | | (2) | 996 426 981 06 | gearshift knob | -02 | 1 | IX46 |
| | VRH | brown/natural silver | | | | | VRJ | black | | | |
| | ERB | black silver | | | | | C50 | graphite grey | | | |
| | EOP | graphite grey silver | | | | | S30 | savanna | | | |
| | EOR | metropole blue silver | | | | | G10 | metropole blue | | | |
| | EOT | nephrite green silver | | | | | J30 | nephrite green | | | |
| | EPC | boxster red silver | | | | | M30 | boxster red | | | |
| | EOQ | savanna silver | | | | (2) | 996 426 981 11 | gearshift knob | 03- | 1 | IX46 |
| (2) | 996 426 069 10 | gearshift knob | 03- | 1 | | | VRJ | black | | | |
| | FGJ | black sport silver | | | | | C50 | graphite grey | | | |
| | FGK | graphite grey sport silver | | | | | S30 | savanna | | | |
| | FGL | savanna sport silver | | | | | G10 | metropole blue | | | |
| | FGM | metropole blue sport silver | | | | | J30 | nephrite green | 03 | | |
| | FGN | nephrite green sport silver | 03 03 | | | | M30 | boxster red | | | |
| | FGO | boxster red sport silver | | | | (2) | 996 426 981 07 | gearshift knob | -02 | 1 | IX65 |
| | FGP | cinnamon brown sport silver | | | | (2) | 996 426 981 08 | gearshift knob | -02 | 1 | IX66 |
| | VSU | dark grey/natural sport silver | | | | (2) | 996 426 981 09 | gearshift knob | -02 | 1 | IX48 |
| | | | | | | (2) | 996 426 981 12 | gearshift knob | 03- | 1 | IX65 |

| | | | | | | | | | | | |
|-------|------|----|----|--------------|--------------|-----|-------|------------|---------|-----|---------|
| Model | Year | MG | SG | Illustration | Restrictions | UPD | 19:55 | 24.01.2010 | PORSCHE | PET | PORSCHE |
| 996T | 2005 | 7 | 01 | 701-01 | | 248 | | | | | |

| Pos | Part Number | Description | Remark | Qty | Model | Pos | Part Number | Description | Remark | Qty | Model |
|-------|----------------|---|--------|-----|----------------------|-----|----------------|-----------------------------|--------|-----|-------|
| (2) | 996 426 981 13 | gearshift knob | 03- | 1 | IX66 | 8 | 996 426 181 00 | clip | | 1 | |
| (2) | 996 426 981 14 | gearshift knob | 03- | 1 | IX48 | 9 | 996 426 711 00 | securing clip | | 1 | |
| - A | 000 043 204 49 | repair kit comprising: key 996.426.275.02 V01 compression spring 996.426.277.02 roller 321.713.137 | 01 | 1 | | 10 | 996 426 335 00 | securing clip | | 1 | |
| - | 000 043 204 57 | repair kit comprising: key 996.426.275.05 V01 compression spring 996.426.277.02 roller 321.713.137 | -02 | 1 | | 11 | 996 426 335 01 | securing clip | | 1 | |
| - | 000 043 204 69 | repair kit comprising: key 996.426.275.05 V03 compression spring 996.426.277.02 roller 321.713.137 | 03- | 1 | | 12 | 996 426 380 51 | connecting piece | | 1 | |
| - | 000 043 204 50 | repair kit comprising: key compression spring 996.426.277.02 roller 321.713.137 | | 1 | IX46/X48 IX65/X66 | 13 | 900 076 010 02 | hexagon nut M 6 | | 1 | |
| 3 | 999 084 629 09 | hexagon nut M 6 | | 4 | | 14 | 000 043 205 93 | grease 1 100-gramme tube | | X | |
| 4 | 999 507 465 02 | cable holder | | 1 | | | | | | | |
| 5 | 996 426 033 50 | cable | -02 | 1 | | | | | | | |
| (5) A | 996 426 033 51 | cable | 03 | 1 | | | | | | | |
| (5) | 996 426 033 52 | cable | 04- | 1 | | | | | | | |
| 6 | 996 426 035 00 | fastening part for cable adjustable | | 1 | | | | | | | |
| 7 | 996 426 073 03 | cable | | 1 | | | | | | | |

| | | | | | | | | | | | |
|-------|------|----|----|--------------|--------------|-----|-------|------------|---------|-----|---------|
| Model | Year | MG | SG | Illustration | Restrictions | UPD | 19:55 | 24.01.2010 | PORSCHE | PET | PORSCHE |
| 996T | 2005 | 7 | 01 | 701-05 | | 248 | | | | | |



| Pos | Part Number | Description | Remark | Qty | Model |
|-----|----------------|--|----------|-----|---------|
| 1 | 996 424 031 06 | handbrake actuator parking-brake lever complete | -02 | 1 | TURBO |
| | FEM | cinnamon brown | | | |
| | VRC | dark grey/natural | | | |
| | VRD | brown/natural | | | |
| | EUK | black | | | |
| | EUL | graphite grey | | | |
| | EUM | savanna | | | |
| | EUN | metropole blue | | | |
| | EUP | nephrite green | | | |
| | EUQ | boxster red | | | |
| (1) | 996 424 031 07 | parking-brake lever complete | 03- | 1 | TURBO |
| | FFR | black sport silver | | | |
| | FFS | graphite grey sport silver | | | |
| | FFU | metropole blue sport silver | | | |
| | FFT | savanna sport silver | | | |
| | FFV | nephrite green sport silver | 03 03 | | |
| | FFW | boxster red sport silver | | | |
| | FFX | cinnamon brown sport silver | | | |
| | VSR | dark grey/natural sport silver | | | |
| | VST | brown/natural sport silver | | | |
| (1) | 996 424 031 09 | parking-brake lever | 05- | 1 | TURBO S |
| | VTP | dark grey/natural | | | |

| | | | | | | | | | | | |
|-------|------|----|----|--------------|--------------|-----|-------|------------|---------|-----|---------|
| Model | Year | MG | SG | Illustration | Restrictions | UPD | 19:55 | 24.01.2010 | PORSCHE | PET | PORSCHE |
| 996T | 2005 | 7 | 01 | 701-05 | | 248 | | | | | |

| Pos | Part Number | Description | Remark | Qty | Model | Pos | Part Number | Description | Remark | Qty | Model |
|-----|----------------|--|---------|-----|-------------|-----|----------------|-----------------------|---------|-----|-------------|
| (1) | 996 424 031 30 | VTN brown/natural parking-brake lever | /LL -02 | 1 | GT2 | (1) | 996 424 980 25 | parking-brake lever | /RL -02 | 1 | GT2 IX58 |
| | | EUK black | | | | | | VRJ black | | | |
| | | VRC dark grey/natural | | 02 | | | | D11 dark grey/natural | | 02 | |
| | | VRD brown/natural | | 02 | | | | T11 brown/natural | | 02 | |
| (1) | 996 424 031 31 | parking-brake lever | /LL 03- | 1 | GT2 | (1) | 996 424 980 51 | parking-brake lever | /RL 03- | 1 | GT2 IX58 |
| | | FFR black sport silver | | | | | | VRJ black | | | |
| | | VSR dark grey/natural sport silver | | | | | | D11 dark grey/natural | | | |
| | | VST brown/natural sport silver | | | | (1) | 996 424 980 22 | parking-brake lever | /LL 01 | 1 | IX98 |
| (1) | 996 424 032 30 | parking-brake lever | /RL -02 | 1 | GT2 | | | VRJ black | | | |
| | | EUK black | | | | | | C50 graphite grey | | | |
| | | VRC dark grey/natural | | 02 | | | | S30 savanna | | | |
| | | VRD brown/natural | | 02 | | | | G10 metropole blue | | | |
| (1) | 996 424 032 31 | parking-brake lever | /RL 03- | 1 | GT2 | | | J30 nephrite green | | | |
| | | FFR black sport silver | | | | | | M30 boxster red | | | |
| | | VSR dark grey/natural sport silver | | | | | | P11 cinnamon brown | | | |
| | | VST brown/natural sport silver | | | | | | D11 dark grey/natural | | | |
| | | | | | | | | T11 brown/natural | | | |
| (1) | 996 424 980 24 | parking-brake lever | /LL -02 | 1 | GT2 IX58 | (1) | 996 424 980 23 | parking-brake lever | /RL 01 | 1 | IX98 |
| | | VRJ black | | | | | | VRJ black | | | |
| | | D11 dark grey/natural | | 02 | | | | C50 graphite grey | | | |
| | | T11 brown/natural | | 02 | | | | S30 savanna | | | |
| (1) | 996 424 980 50 | parking-brake lever | /LL 03- | 1 | GT2 IX58 | | | G10 metropole blue | | | |
| | | VRJ black | | | | | | J30 nephrite green | | | |
| | | D11 dark grey/natural | | | | | | M30 boxster red | | | |
| | | T11 brown/natural | | | | | | P11 cinnamon brown | | | |
| | | | | | | | | D11 dark grey/natural | | | |
| | | | | | | | | T11 brown/natural | | | |

| | | | | | | | | | | | |
|-------|------|----|----|--------------|--------------|-----|-------|------------|---------|-----|---------|
| Model | Year | MG | SG | Illustration | Restrictions | UPD | 19:55 | 24.01.2010 | PORSCHE | PET | PORSCHE |
| 996T | 2005 | 7 | 01 | 701-05 | | 248 | | | | | |

| Pos | Part Number | Description | Remark | Qty | Model | Pos | Part Number | Description | Remark | Qty | Model |
|-----|----------------|---------------------|--------|-----|-------|-----|----------------|---------------------|--------|-----|-------|
| (1) | 996 424 980 24 | parking-brake lever | /LL 01 | 1 | IX58 | | T11 | brown/natural | | | |
| | VRJ | black | | | | (1) | 996 424 980 27 | parking-brake lever | /RL 01 | 1 | IX91 |
| | C50 | graphite grey | | | | | VRJ | black | | | |
| | S30 | savanna | | | | | C50 | graphite grey | | | |
| | G10 | metropole blue | | | | | S30 | savanna | | | |
| | J30 | nephrite green | | | | | G10 | metropole blue | | | |
| | M30 | boxster red | | | | | J30 | nephrite green | | | |
| | P11 | cinnamon brown | | | | | M30 | boxster red | | | |
| | D11 | dark grey/natural | | | | | P11 | cinnamon brown | | | |
| | T11 | brown/natural | | | | | D11 | dark grey/natural | | | |
| (1) | 996 424 980 25 | parking-brake lever | /RL 01 | 1 | IX58 | | T11 | brown/natural | | | |
| | VRJ | black | | | | (1) | 996 424 980 28 | parking-brake lever | /LL 01 | 1 | IXE9 |
| | C50 | graphite grey | | | | | VRJ | black | | | |
| | S30 | savanna | | | | | C50 | graphite grey | | | |
| | G10 | metropole blue | | | | | S30 | savanna | | | |
| | J30 | nephrite green | | | | | G10 | metropole blue | | | |
| | M30 | boxster red | | | | | J30 | nephrite green | | | |
| | P11 | cinnamon brown | | | | | M30 | boxster red | | | |
| | D11 | dark grey/natural | | | | | P11 | cinnamon brown | | | |
| | T11 | brown/natural | | | | | D11 | dark grey/natural | | | |
| (1) | 996 424 980 26 | parking-brake lever | /LL 01 | 1 | IX91 | | T11 | brown/natural | | | |
| | VRJ | black | | | | (1) | 996 424 980 29 | parking-brake lever | /RL 01 | 1 | IXE9 |
| | C50 | graphite grey | | | | | VRJ | black | | | |
| | S30 | savanna | | | | | C50 | graphite grey | | | |
| | G10 | metropole blue | | | | | S30 | savanna | | | |
| | J30 | nephrite green | | | | | G10 | metropole blue | | | |
| | M30 | boxster red | | | | | J30 | nephrite green | | | |
| | P11 | cinnamon brown | | | | | M30 | boxster red | | | |
| | D11 | dark grey/natural | | | | | P11 | cinnamon brown | | | |

| | | | | | | | | | | | |
|-------|------|----|----|--------------|--------------|-----|-------|------------|---------|-----|---------|
| Model | Year | MG | SG | Illustration | Restrictions | UPD | 19:55 | 24.01.2010 | PORSCHE | PET | PORSCHE |
| 996T | 2005 | 7 | 01 | 701-05 | | 248 | | | | | |

| Pos | Part Number | Description | Remark | Qty | Model | Pos | Part Number | Description | Remark | Qty | Model |
|-----|----------------|------------------------------|--------|-----|--------|-----|----------------|------------------------------|--------|-----|--------|
| (1) | 996 424 980 30 | D11 dark grey/natural | /LL | 02 | 1 IX98 | (1) | 996 424 980 33 | J30 nephrite green | /RL | 02 | 1 IX58 |
| | | T11 brown/natural | | | | | | M30 boxster red | | | |
| | | parking-brake lever complete | | | | | | P11 cinnamon brown | | | |
| | | VRJ black | | | | | | D11 dark grey/natural | | | |
| | | C50 graphite grey | | | | | | T11 brown/natural | | | |
| | | S30 savanna | | | | | | parking-brake lever complete | | | |
| | | G10 metropole blue | | | | | | VRJ black | | | |
| | | J30 nephrite green | | | | | | C50 graphite grey | | | |
| | | M30 boxster red | | | | | | S30 savanna | | | |
| | | P11 cinnamon brown | | | | | | G10 metropole blue | | | |
| (1) | 996 424 980 31 | D11 dark grey/natural | /RL | 02 | 1 IX98 | (1) | 996 424 980 34 | J30 nephrite green | /LL | 02 | 1 IX91 |
| | | T11 brown/natural | | | | | | M30 boxster red | | | |
| | | parking-brake lever complete | | | | | | P11 cinnamon brown | | | |
| | | VRJ black | | | | | | D11 dark grey/natural | | | |
| | | C50 graphite grey | | | | | | T11 brown/natural | | | |
| | | S30 savanna | | | | | | parking-brake lever complete | | | |
| | | G10 metropole blue | | | | | | VRJ black | | | |
| | | J30 nephrite green | | | | | | C50 graphite grey | | | |
| | | M30 boxster red | | | | | | S30 savanna | | | |
| | | P11 cinnamon brown | | | | | | G10 metropole blue | | | |
| (1) | 996 424 980 32 | D11 dark grey/natural | /LL | 02 | 1 IX58 | (1) | 996 424 980 35 | J30 nephrite green | /RL | 02 | 1 IX91 |
| | | T11 brown/natural | | | | | | M30 boxster red | | | |
| | | parking-brake lever complete | | | | | | P11 cinnamon brown | | | |
| | | VRJ black | | | | | | D11 dark grey/natural | | | |
| | | C50 graphite grey | | | | | | T11 brown/natural | | | |
| | | S30 savanna | | | | | | parking-brake lever complete | | | |
| | | G10 metropole blue | | | | | | VRJ black | | | |

| | | | | | | | | | | | |
|-------|------|----|----|--------------|--------------|-----|-------|------------|---------|-----|---------|
| Model | Year | MG | SG | Illustration | Restrictions | UPD | 19:55 | 24.01.2010 | PORSCHE | PET | PORSCHE |
| 996T | 2005 | 7 | 01 | 701-05 | | 248 | | | | | |

| Pos | Part Number | Description | Remark | Qty | Model | Pos | Part Number | Description | Remark | Qty | Model |
|-----|----------------|------------------------------|--------|-----|--------|-----|----------------|------------------------------|--------|-----|--------|
| | C50 | graphite grey | | | | (1) | 996 424 980 40 | parking-brake lever complete | /LL | 03- | 1 IX98 |
| | S30 | savanna | | | | | VRJ | black | | | |
| | G10 | metropole blue | | | | | C50 | graphite grey | | | |
| | J30 | nephrite green | | | | | S30 | savanna | | | |
| | M30 | boxster red | | | | | G10 | metropole blue | | | |
| | P11 | cinnamon brown | | | | | J30 | nephrite green | | 03 | |
| | D11 | dark grey/natural | | | | | M30 | boxster red | | | |
| | T11 | brown/natural | | | | | P11 | cinnamon brown | | | |
| (1) | 996 424 980 36 | parking-brake lever complete | /LL | 02 | 1 IXE9 | | D11 | dark grey/natural | | | |
| | VRJ | black | | | | | T11 | brown/natural | | | |
| | C50 | graphite grey | | | | (1) | 996 424 980 41 | parking-brake lever complete | /RL | 03- | 1 IX98 |
| | S30 | savanna | | | | | VRJ | black | | | |
| | G10 | metropole blue | | | | | C50 | graphite grey | | | |
| | J30 | nephrite green | | | | | S30 | savanna | | | |
| | M30 | boxster red | | | | | G10 | metropole blue | | | |
| | P11 | cinnamon brown | | | | | J30 | nephrite green | | 03 | |
| | D11 | dark grey/natural | | | | | M30 | boxster red | | | |
| | T11 | brown/natural | | | | | P11 | cinnamon brown | | | |
| (1) | 996 424 980 37 | parking-brake lever complete | /RL | 02 | 1 IXE9 | | D11 | dark grey/natural | | | |
| | VRJ | black | | | | | T11 | brown/natural | | | |
| | C50 | graphite grey | | | | (1) | 996 424 980 52 | parking-brake lever complete | /LL | 03- | 1 IX58 |
| | S30 | savanna | | | | | VRJ | black | | | |
| | G10 | metropole blue | | | | | C50 | graphite grey | | | |
| | J30 | nephrite green | | | | | S30 | savanna | | | |
| | M30 | boxster red | | | | | G10 | metropole blue | | | |
| | P11 | cinnamon brown | | | | | J30 | nephrite green | | 03 | |
| | D11 | dark grey/natural | | | | | M30 | boxster red | | | |
| | T11 | brown/natural | | | | | | | | | |

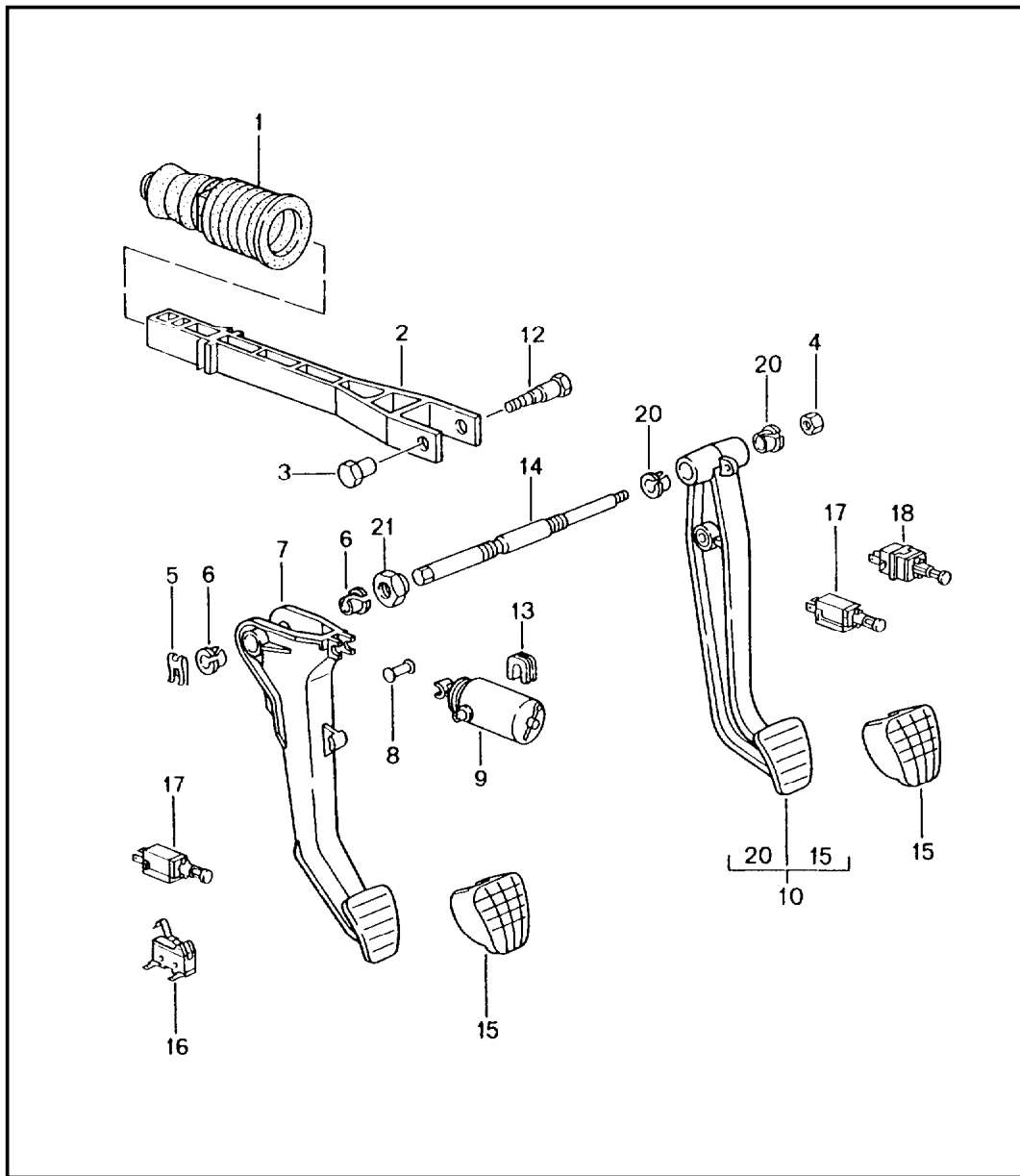
| | | | | | | | | | | | |
|-------|------|----|----|--------------|--------------|-----|-------|------------|---------|-----|---------|
| Model | Year | MG | SG | Illustration | Restrictions | UPD | 19:55 | 24.01.2010 | PORSCHE | PET | PORSCHE |
| 996T | 2005 | 7 | 01 | 701-05 | | 248 | | | | | |

| Pos | Part Number | Description | Remark | Qty | Model | Pos | Part Number | Description | Remark | Qty | Model | | | | | | |
|-----|----------------|-------------|------------------------------|-----|-------|-----|-------------|-------------|-------------------|-----|-------|--|------------------------------|-----|-----|---|------|
| (1) | 996 424 980 53 | P11 | cinnamon brown | /RL | 03- | 1 | IX58 | G10 | metropole blue | | | | | | | | |
| | | D11 | dark grey/natural | | | | | J30 | nephrite green | | | | 03 | | | | |
| | | T11 | brown/natural | | | | | M30 | boxster red | | | | | | | | |
| | | | parking-brake lever complete | | | | | P11 | cinnamon brown | | | | | | | | |
| | | VRJ | black | | | | | D11 | dark grey/natural | | | | | | | | |
| | | C50 | graphite grey | | | | | T11 | brown/natural | | | | | | | | |
| | | S30 | savanna | | | | | (1) | 996 424 980 48 | | | | parking-brake lever complete | /LL | 03- | 1 | IXE9 |
| | | G10 | metropole blue | | | | | VRJ | black | | | | | | | | |
| | | J30 | nephrite green | | | | | C50 | graphite grey | | | | | | | | |
| | | M30 | boxster red | | | | | S30 | savanna | | | | | | | | |
| (1) | 996 424 980 44 | P11 | cinnamon brown | /LL | 03- | 1 | IX91 | G10 | metropole blue | | | | | | | | |
| | | D11 | dark grey/natural | | | | | J30 | nephrite green | | | | 03 | | | | |
| | | T11 | brown/natural | | | | | M30 | boxster red | | | | | | | | |
| | | | parking-brake lever complete | | | | | P11 | cinnamon brown | | | | | | | | |
| | | VRJ | black | | | | | D11 | dark grey/natural | | | | | | | | |
| | | C50 | graphite grey | | | | | T11 | brown/natural | | | | | | | | |
| | | S30 | savanna | | | | | (1) | 996 424 980 49 | | | | parking-brake lever complete | /RL | 03- | 1 | IXE9 |
| | | G10 | metropole blue | | | | | VRJ | black | | | | | | | | |
| | | J30 | nephrite green | | | | | C50 | graphite grey | | | | | | | | |
| | | M30 | boxster red | | | | | S30 | savanna | | | | | | | | |
| (1) | 996 424 980 45 | P11 | cinnamon brown | /RL | 03- | 1 | IX91 | G10 | metropole blue | | | | | | | | |
| | | D11 | dark grey/natural | | | | | J30 | nephrite green | | | | 03 | | | | |
| | | T11 | brown/natural | | | | | M30 | boxster red | | | | | | | | |
| | | | parking-brake lever complete | | | | | P11 | cinnamon brown | | | | | | | | |
| | | VRJ | black | | | | | D11 | dark grey/natural | | | | | | | | |
| | | C50 | graphite grey | | | | | T11 | brown/natural | | | | | | | | |
| | | S30 | savanna | | | | | (1) | 996 424 569 01 | | | | bolt | | 1 | | |

| | | | | | | | | | | | |
|-------|------|----|----|--------------|--------------|-----|-------|------------|---------|-----|---------|
| Model | Year | MG | SG | Illustration | Restrictions | UPD | 19:55 | 24.01.2010 | PORSCHE | PET | PORSCHE |
| 996T | 2005 | 7 | 01 | 701-05 | | 248 | | | | | |

| Pos | Part Number | Description | Remark | Qty | Model | Pos | Part Number | Description | Remark | Qty | Model |
|-----|----------------|---------------------|--------|-----|-------|-----|-------------|-------------|--------|-----|-------|
| 3 | 999 166 079 02 | lock SLB 6 | | 1 | | | | | | | |
| 4 | 996 424 155 01 | cover | | 1 | TURBO | | | | | | |
| | A03 | black | | | | | | | | | |
| | C53 | graphite grey | | | | | | | | | |
| | S33 | savanna | | | | | | | | | |
| | G13 | metropole blue | | | | | | | | | |
| | J33 | nephrite green | -03 | | | | | | | | |
| | M33 | boxster red | | | | | | | | | |
| | P13 | cinnamon brown | | | | | | | | | |
| (4) | 996 424 155 30 | cover | | 1 | GT2 | | | | | | |
| | A03 | black | | | | | | | | | |
| 5 | 996 613 112 01 | switch | | 1 | | | | | | | |
| 6 | 996 424 567 01 | pull rod | | 1 | | | | | | | |
| 7 | 964 424 570 00 | securing clip | | 1 | | | | | | | |
| 8 | 964 424 568 00 | turnbuckle | | 1 | | | | | | | |
| 9 | 996 424 574 00 | nipple | | 1 | | | | | | | |
| 10 | 996 424 572 00 | bush | | 1 | | | | | | | |
| 11 | 900 076 025 02 | hexagon nut M 8 | | 2 | | | | | | | |
| 12 | 900 380 005 09 | hexagon nut M 8 | | 2 | | | | | | | |
| 13 | 996 424 141 10 | parking-brake cable | | 2 | | | | | | | |
| 14 | 996 424 721 02 | guide tube | | 2 | | | | | | | |

| | | | | | | | | | | | |
|-------|------|----|----|--------------|--------------|-----|-------|------------|---------|-----|---------|
| Model | Year | MG | SG | Illustration | Restrictions | UPD | 19:55 | 24.01.2010 | PORSCHE | PET | PORSCHE |
| 996T | 2005 | 7 | 02 | 702-00 | | 248 | | | | | |

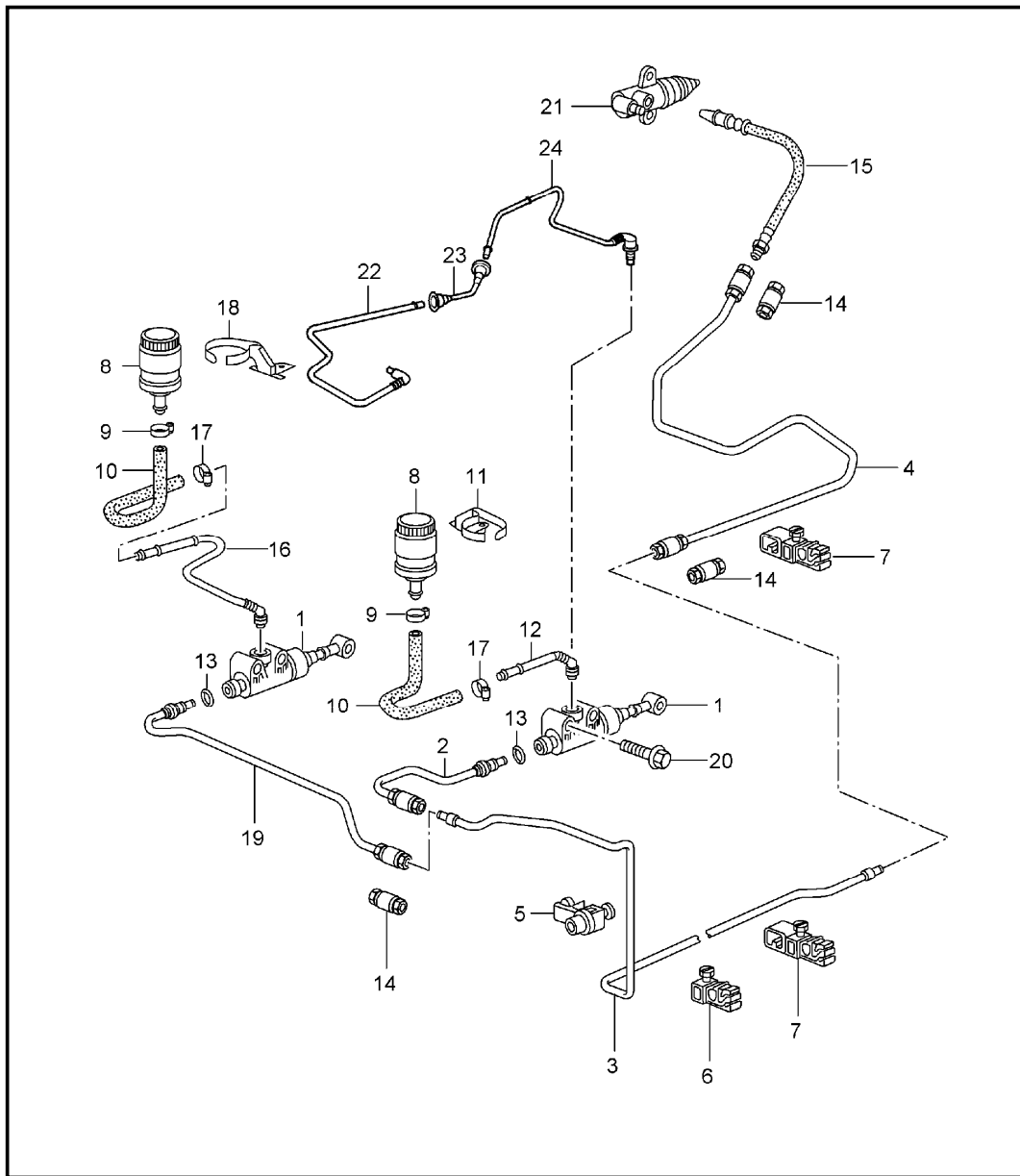


| Pos | Part Number | Description | Remark | Qty | Model |
|-------|----------------|---|--------|--------|--------------------|
| - | 000 043 203 37 | grease OPTITEMP LG2 | | X | |
| 1 | ... | bellows see illustrations 6/04/00 | | 1 | |
| 2 | 996 423 165 05 | push rod | | 1 | |
| - | 999 166 075 02 | lock push rod brake booster | | 1 | |
| 3 | 996 423 307 00 | bush | | 1 | |
| 4 | 900 380 005 09 | hexagon nut M 8 | | 3 2 | |
| 5 | 999 507 601 01 | lock | | 1 | M480 |
| 6 | 996 423 399 01 | bush | | 2 | M480 |
| 7 | 996 423 139 10 | clutch pedal | | 1 | M480 |
| 8 | 996 423 315 06 | bolt | | 1 | M480 |
| - | 999 166 022 02 | lock for bolt | | 1 | M480 |
| 9 A | 996 423 081 51 | clutch power spring | | 1 | TURBO M480 |
| (9) | 996 423 081 50 | clutch power spring | | -03 | 1 TURBO M480 |
| (9) | 996 423 081 52 | clutch power spring | | 04 | 1 TURBO M480 |
| (9) A | 996 423 081 53 | clutch power spring | | 05- | 1 TURBO M480 |
| (9) | 996 423 081 54 | clutch power spring | | 05- | 1 TURBO M480 |
| (9) A | 996 423 081 13 | clutch power spring | | | 1 GT2 |
| (9) A | 996 423 881 06 | clutch power spring | | -03 | 1 GT2 |
| (9) | 996 423 081 16 | clutch power spring | | 04 | 1 GT2 |
| (9) | 996 423 081 19 | clutch power spring | | 05 | 1 GT2 |

| | | | | | | | | | | | |
|-------|------|----|----|--------------|--------------|-----|-------|------------|---------|-----|---------|
| Model | Year | MG | SG | Illustration | Restrictions | UPD | 19:55 | 24.01.2010 | PORSCHE | PET | PORSCHE |
| 996T | 2005 | 7 | 02 | 702-00 | | 248 | | | | | |

| Pos | Part Number | Description | Remark | Qty | Model | Pos | Part Number | Description | Remark | Qty | Model |
|------|----------------|---|--------|-----|---------------|------|------------------|-------------|--------|-----|-------|
| - | 996 423 571 00 | bracket for clutch power spring | | 1 | M480 | 20 | 996 423 399 01 | bush | /LL | 2 | |
| | | | | | | (20) | 999 924 133 40 | bush | /RL | 2 | |
| 10 | 996 423 091 03 | brake pedal | /LL | 1 | M480 | 21 | A 996 423 275 04 | screw plug | -03 | 1 | |
| (10) | 996 423 092 03 | brake pedal | /RL | 1 | M480 | (21) | 996 423 275 05 | screw plug | 04- | 1 | |
| (10) | 996 423 093 03 | brake pedal | /LL | 1 | TURBO M249 | | | | | | |
| (10) | 996 423 094 03 | brake pedal | /RL | 1 | TURBO M249 | | | | | | |
| - | 999 522 033 00 | return spring brake pedal | | 2 | | | | | | | |
| - | 996 423 101 00 | protective tube return spring brake pedal | | 1 | | | | | | | |
| - | 996 423 243 00 | bush return spring brake pedal | | 1 | | | | | | | |
| 12 | 996 423 308 00 | bolt | | 1 | | | | | | | |
| 13 | 996 423 581 00 | bush | | 2 | | | | | | | |
| 14 | 996 423 281 05 | axle | /LL | 1 | M480 | | | | | | |
| (14) | 996 423 284 05 | axle | /RL | 1 | M480 | | | | | | |
| (14) | 996 423 283 05 | axle | /LL | 1 | TURBO M249 | | | | | | |
| (14) | 996 423 286 05 | axle | /RL | 1 | TURBO M249 | | | | | | |
| - | 996 423 277 00 | bearing sleeve brake pedal | /RL | 1 | | | | | | | |
| 15 | 996 423 210 03 | pedal cap | | 2 | M480 | | | | | | |
| (15) | 996 423 212 03 | pedal cap | | 1 | TURBO M249 | | | | | | |
| 17 | 996 613 113 01 | switch brake pedal | | 2 | TURBO M454 | | | | | | |
| (17) | 996 613 114 01 | switch clutch pedal | | 1 | TURBO M454 | | | | | | |
| 18 | 996 613 113 01 | switch | | 1 | | | | | | | |
| 19 | 964 613 211 00 | kickdown switch | | 1 | TURBO M249 | | | | | | |

| | | | | | | | | | | | |
|-------|------|----|----|--------------|--------------|-----|-------|------------|---------|-----|---------|
| Model | Year | MG | SG | Illustration | Restrictions | UPD | 19:55 | 24.01.2010 | PORSCHE | PET | PORSCHE |
| 996T | 2005 | 7 | 02 | 702-08 | | 248 | | | | | |

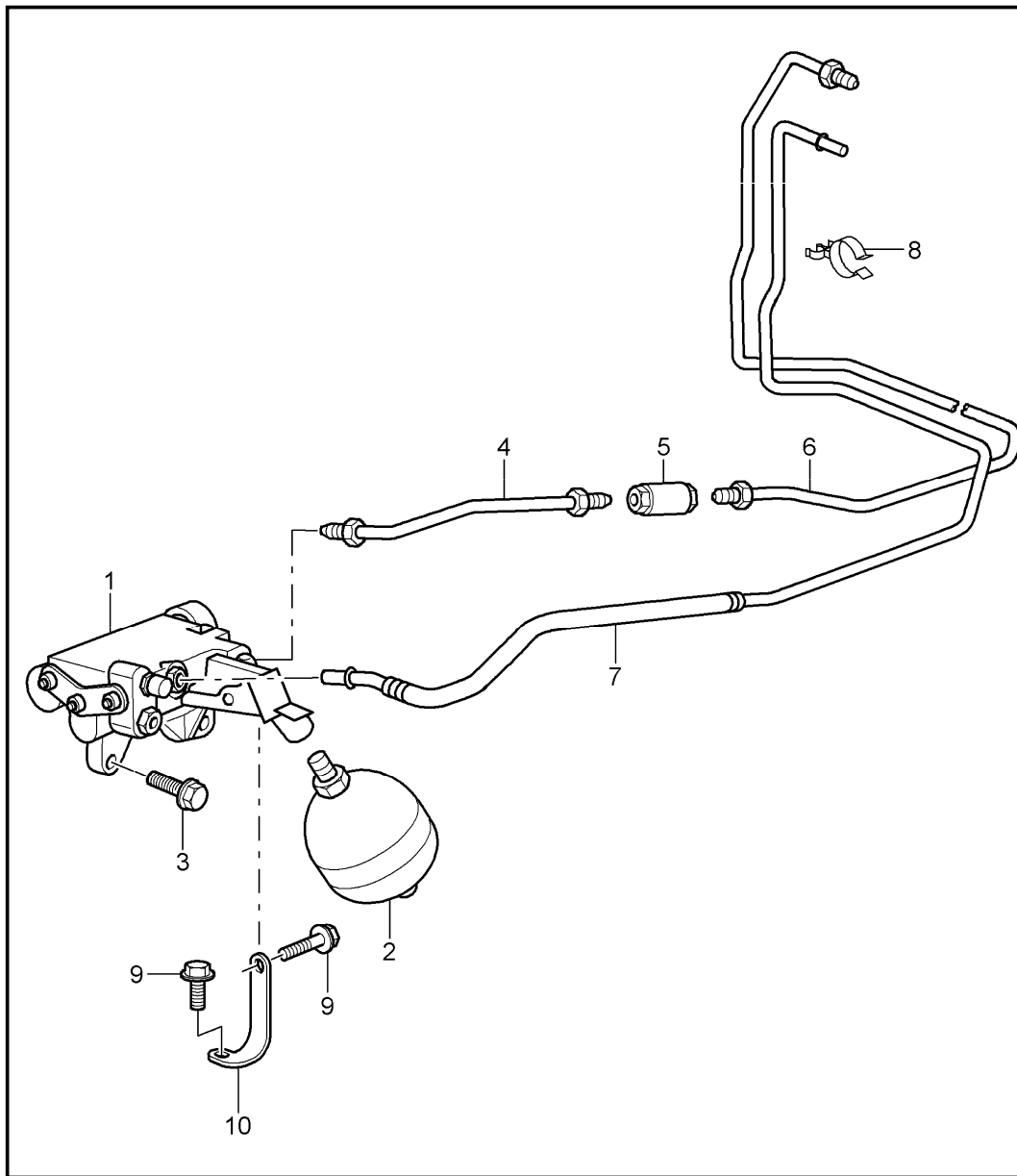


| Pos | Part Number | Description | Remark | Qty | Model |
|-----|------------------|---|--------|-----|-------|
| | | clutch actuation clutch master cylinder clutch pipeline | | | |
| 1 | A 996 423 171 50 | clutch master cylinder | | 1 | TURBO |
| (1) | A 996 423 171 51 | clutch master cylinder | -02 | 1 | TURBO |
| (1) | 996 423 171 52 | clutch master cylinder | 03- | 1 | TURBO |
| (1) | 996 423 171 06 | clutch master cylinder | | 1 | GT2 |
| - | 996 423 614 00 | circlip pressure line | | 1 | |
| - | 996 423 315 06 | bolt | | 1 | |
| - | 999 166 022 02 | safety clip for bolt | | 1 | |
| 2 | 996 423 107 50 | clutch pipeline | /LL | 1 | TURBO |
| (2) | 996 423 107 10 | clutch pipeline | /LL | 1 | GT2 |
| 3 | 996 423 109 50 | clutch pipeline | | 1 | TURBO |
| (3) | 996 423 109 10 | clutch pipeline | | 1 | GT2 |
| 4 | 996 423 113 52 | clutch pipeline F >>994S6 80654 F >>994S6 70658 | | 1 | TURBO |
| (4) | 997 423 113 50 | clutch pipeline F 994S6 80655>> F 994S6 70659>> | | 1 | TURBO |
| (4) | 996 423 113 06 | clutch pipeline | -02 | 1 | GT2 |
| (4) | 996 423 113 07 | clutch pipeline F >>994S6 95107 | 03- | 1 | GT2 |
| (4) | 997 423 113 00 | clutch pipeline F 994S6 95108>> | | 1 | GT2 |
| 5 | 996 355 549 00 | support | | 1 | |
| 6 | 996 355 545 00 | support | | 2 | |
| 7 | 996 355 543 00 | support | | 4 | |
| 8 | 993 423 417 00 | container | | 1 | |
| - | A 999 513 051 40 | hose clamp 3,5 - 78 | | 1 | |

| | | | | | | | | | | | |
|-------|------|----|----|--------------|--------------|-----|-------|------------|---------|-----|---------|
| Model | Year | MG | SG | Illustration | Restrictions | UPD | 19:55 | 24.01.2010 | PORSCHE | PET | PORSCHE |
| 996T | 2005 | 7 | 02 | 702-08 | | 248 | | | | | |

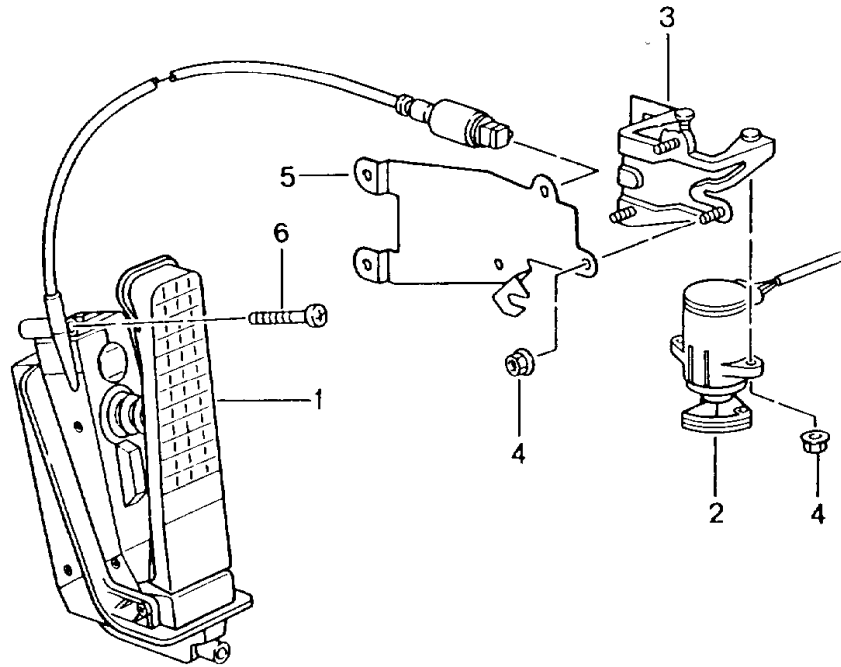
| Pos | Part Number | Description | Remark | Qty | Model | Pos | Part Number | Description | Remark | Qty | Model |
|--------|----------------|----------------------------------|--------|-----|-------|-----|----------------|---------------------|--------|-----|-------|
| - | 999 513 076 40 | hose clamp 3,5 - 78 | | 1 | | 22 | 996 423 138 04 | line | /RL | 1 | GT2 |
| 9 | 999 512 532 00 | hose clamp | | 1 | TURBO | 23 | 996 423 140 02 | line | /RL | 1 | GT2 |
| 10 | 996 423 343 50 | moulded hose | /LL | 1 | TURBO | 24 | 996 423 142 02 | line | /RL | 1 | GT2 |
| (10) A | 996 423 344 50 | moulded hose | /RL | 1 | TURBO | - | 000 043 203 33 | pentosin 1000 ML | | X | TURBO |
| (10) | 997 423 344 50 | moulded hose | /RL | 1 | TURBO | | | | | | |
| (10) | 996 423 137 02 | line | /LL | 1 | GT2 | | | | | | |
| 11 | 996 423 445 52 | support | /LL | 1 | TURBO | | | | | | |
| 12 | 996 423 147 50 | feed line | /LL | 1 | TURBO | | | | | | |
| (12) | 996 423 147 50 | feed line | /LL | -01 | 1 | GT2 | | | | | |
| (12) | 996 423 147 00 | feed line | /LL | 02- | 1 | GT2 | | | | | |
| (12) | 996 423 147 01 | feed line | /LL | 03- | 1 | GT2 | | | | | |
| 13 | 999 707 403 40 | sealing ring | | X | TURBO | | | | | | |
| (13) | 999 707 333 40 | sealing ring | | X | GT2 | | | | | | |
| 14 | 999 230 541 10 | threaded joint | | X | | | | | | | |
| - | 999 230 685 40 | circlip for threaded joint | | X | | | | | | | |
| 15 | 996 423 377 52 | clutch hose | | 1 | TURBO | | | | | | |
| (15) | 996 423 377 90 | clutch hose | | 1 | GT2 | | | | | | |
| 16 | 996 423 142 51 | feed line | /RL | 1 | TURBO | | | | | | |
| (16) | 996 423 142 51 | feed line | /RL | -01 | 1 | GT2 | | | | | |
| (16) | 996 423 142 01 | feed line | /RL | 02- | 1 | GT2 | | | | | |
| (16) | 996 423 142 02 | feed line | /RL | 03- | 1 | GT2 | | | | | |
| 17 | 999 512 650 09 | hose clamp | | 1 | TURBO | | | | | | |
| 18 | 996 423 446 52 | support | /RL | 1 | TURBO | | | | | | |
| 19 | 996 423 108 50 | clutch pipeline | /RL | 1 | TURBO | | | | | | |
| (19) | 996 423 108 10 | clutch pipeline | /RL | 1 | GT2 | | | | | | |
| 20 | 900 378 029 09 | hexagon-head bolt M 6X 40 | | 2 | | | | | | | |
| 21 | 996 116 237 90 | clutch operating cylinder | | 1 | GT2 | | | | | | |

| | | | | | | | | | | | |
|-------|------|----|----|--------------|--------------|-----|-------|------------|---------|-----|---------|
| Model | Year | MG | SG | Illustration | Restrictions | UPD | 19:55 | 24.01.2010 | PORSCHE | PET | PORSCHE |
| 996T | 2005 | 7 | 02 | 702-09 | | 248 | | | | | |



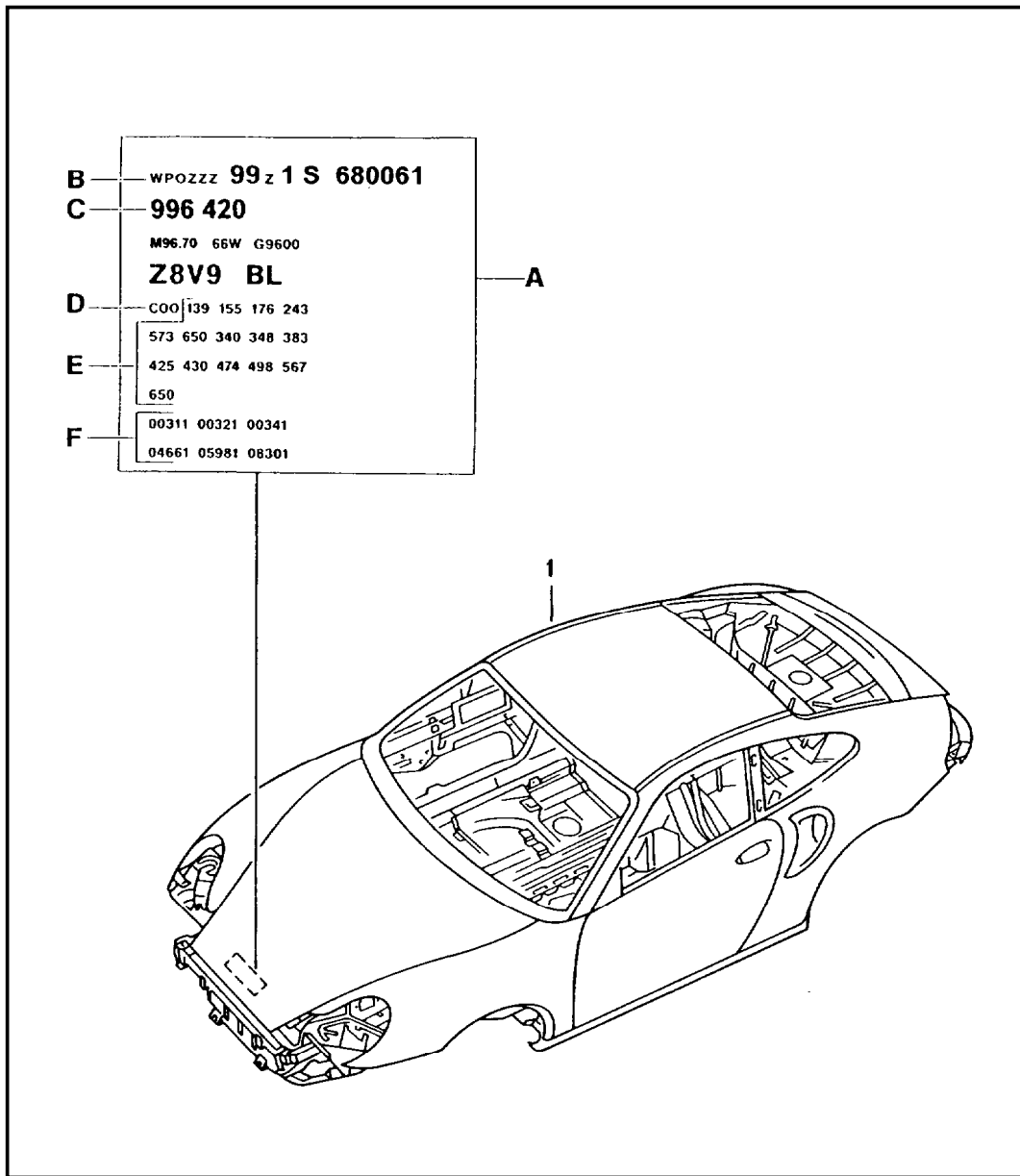
| Pos | Part Number | Description | Remark | Qty | Model |
|-----|------------------|--|--------|-----|-------|
| | | clutch actuation clutch pipeline pressure accumulator clutch operating cylinder | | | TURBO |
| 1 | 996 116 237 52 | clutch operating cylinder | | 1 | |
| - | 999 507 745 09 | cable clamp 13,5 | | 1 | |
| 2 | U 996 314 166 00 | pressure accumulator | | 1 | |
| (2) | 997 314 166 00 | pressure accumulator | | 1 | |
| - | 999 707 224 40 | sealing ring for pressure accumulator | | 1 | |
| 3 | 900 075 222 09 | hexagon-head bolt M 8 X 30 | | 2 | |
| 4 | 996 314 288 03 | pressure line | | 1 | |
| - | 996 314 211 00 | support pressure line | | 1 | |
| 5 | 999 136 041 02 | threaded joint | | 1 | |
| 6 | 996 314 282 03 | pressure line | | 1 | |
| 7 | 996 314 280 03 | return line | | 1 | |
| (7) | 996 314 280 04 | return line | | 1 | |
| 8 | 999 507 692 40 | line bracket | | 2 | |
| - | 000 043 203 33 | pentosin 1000 ML | | X | |
| 9 | 900 378 017 01 | hexagon-head bolt M 8 x 20 | | 2 | |
| 10 | 996 116 201 51 | support | | 1 | |

| | | | | | | | | | | | |
|-------|------|----|----|--------------|--------------|-----|-------|------------|---------|-----|---------|
| Model | Year | MG | SG | Illustration | Restrictions | UPD | 19:56 | 24.01.2010 | PORSCHE | PET | PORSCHE |
| 996T | 2005 | 7 | 02 | 702-10 | | 248 | | | | | |



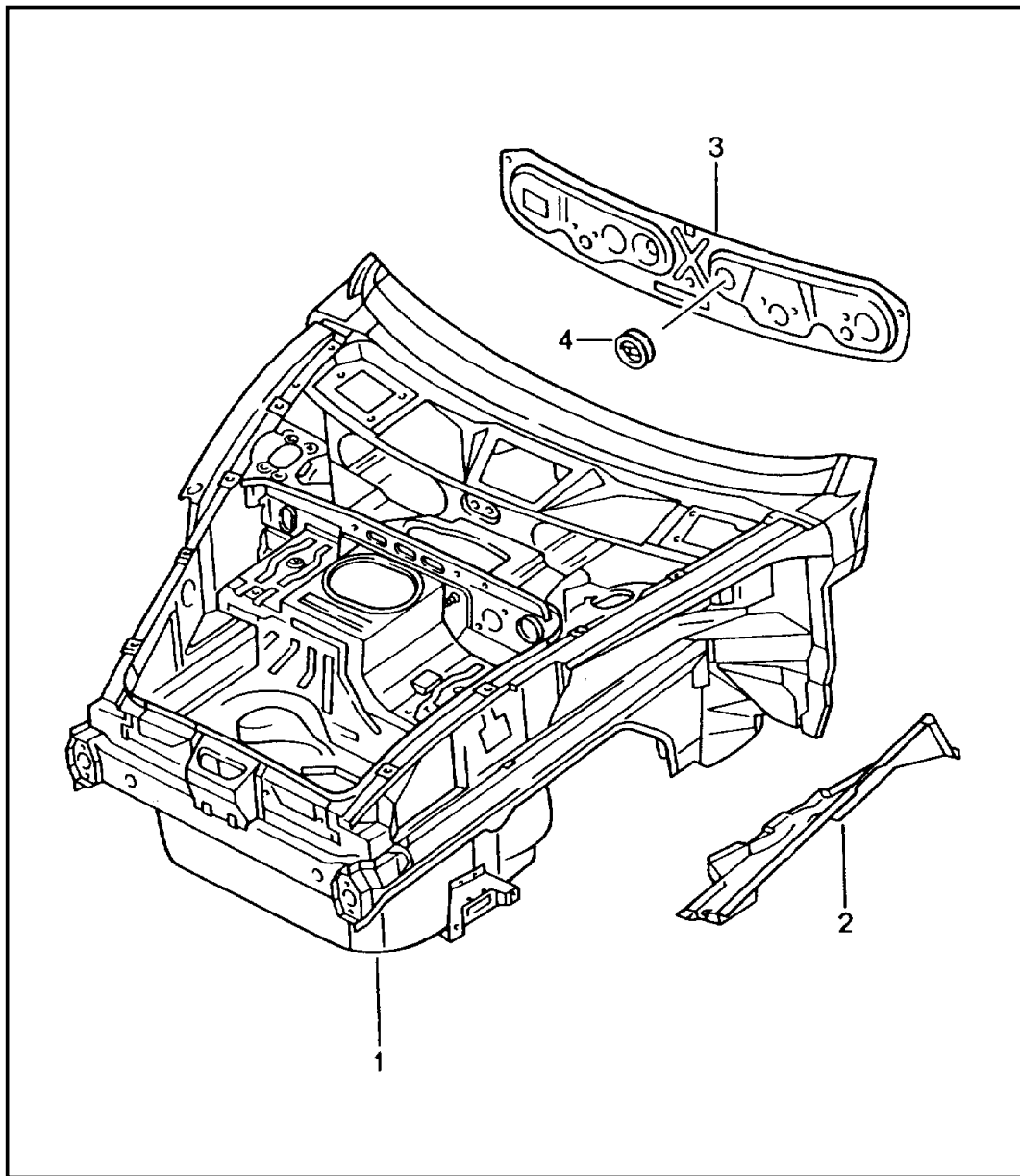
| Pos | Part Number | Description | Remark | Qty | Model |
|-----|----------------|--|--------|-----|--------------|
| | | pedals accelerator control | | | |
| 1 | 996 423 019 03 | accelerator control | /LL | -02 | 1 TURBO M480 |
| (1) | 996 423 019 04 | accelerator control | /LL | 03- | 1 TURBO M480 |
| (1) | 996 423 019 03 | accelerator control | /LL | -02 | 1 GT2 |
| (1) | 996 423 019 04 | accelerator control | /LL | 03- | 1 GT2 |
| (1) | 996 423 029 03 | accelerator control | /LL | -02 | 1 TURBO M249 |
| (1) | 996 423 029 04 | accelerator control | /LL | 03- | 1 TURBO M249 |
| (1) | 996 423 029 03 | accelerator control | /LL | -02 | 1 TURBO M249 |
| (1) | 996 423 029 04 | accelerator control | /LL | 03- | 1 TURBO M249 |
| (1) | 996 423 020 01 | accelerator control | /RL | -02 | 1 TURBO M480 |
| (1) | 996 423 020 02 | accelerator control | /RL | 03- | 1 TURBO M480 |
| (1) | 996 423 020 01 | accelerator control | /RL | -02 | 1 GT2 |
| (1) | 996 423 020 02 | accelerator control | /RL | 03- | 1 GT2 |
| (1) | 996 423 030 01 | accelerator control | /RL | -02 | 1 TURBO M249 |
| (1) | 996 423 030 02 | accelerator control | /RL | 03- | 1 TURBO M249 |
| - | 996 423 396 00 | circlip connecting rod accelerator pedal | | 03- | 1 |
| 2 | 996 606 115 00 | pedal sensor | | | 1 |
| 3 | 996 423 389 01 | support | | | 1 |
| 4 | 900 377 010 09 | hexagon nut M 6 | | | 5 |
| 5 | 996 423 394 00 | support | /RL | | 1 |
| 6 | 900 146 157 09 | round head screw M 5 X 55 | | | 1 |

| | | | | | | | | | | | |
|-------|------|----|----|--------------|--------------|-----|-------|------------|---------|-----|---------|
| Model | Year | MG | SG | Illustration | Restrictions | UPD | 19:56 | 24.01.2010 | PORSCHE | PET | PORSCHE |
| 996T | 2005 | 8 | 01 | 801-00 | | 248 | | | | | |



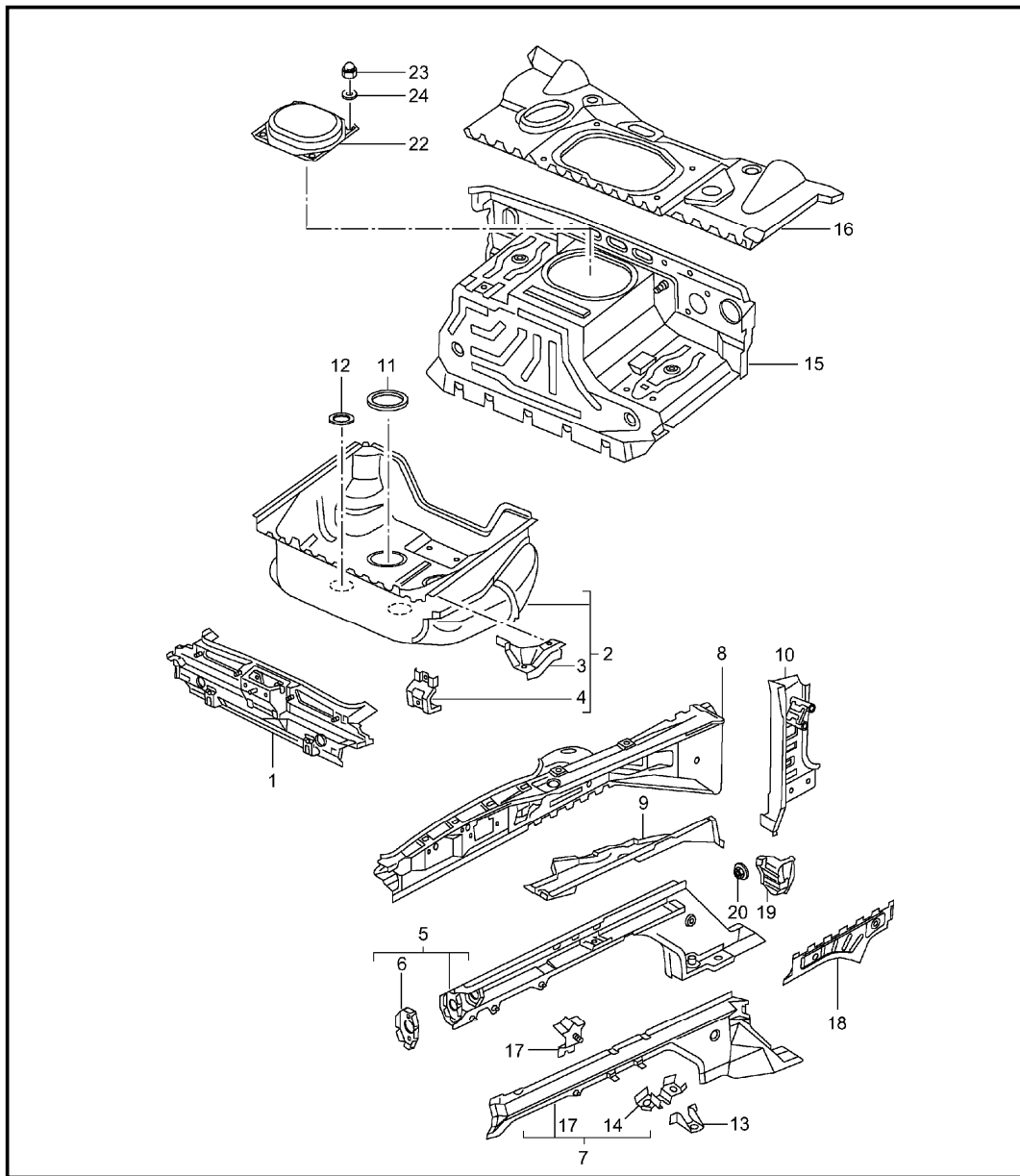
| Pos | Part Number | Description | Remark | Qty | Model |
|-----|----------------|-----------------------------|--------|-----|-------|
| | | body in white | | | |
| | | prime coated | | | |
| | | sealed | | | |
| | | with | | | |
| | | underbody protection | | | |
| | | with | | | |
| | | doors/lids/wings | | | |
| | | bodyshells can only | | | |
| | | only available from current | | | |
| | | model year available | | | |
| | | the data required | | | |
| | | for your order | | | |
| | | can be found on the | | | |
| | | vehicle data carrier | | | |
| | | please indicate this data | | | |
| | | in your order | | | |
| A | - | vehicle data carrier | | | |
| B | - | vehicle identification no. | | | |
| C | - | order type | | | |
| D | - | country equipment | | | |
| E | - | optional extras | | | |
| F | - | additional applications | | | |
| 1 | 996 500 900 00 | body in white | | 1 | |
| | GRV | prime coated | | | |

| | | | | | | | | | | | |
|-------|------|----|----|--------------|--------------|-----|-------|------------|---------|-----|---------|
| Model | Year | MG | SG | Illustration | Restrictions | UPD | 19:56 | 24.01.2010 | PORSCHE | PET | PORSCHE |
| 996T | 2005 | 8 | 01 | 801-05 | | 248 | | | | | |



| Pos | Part Number | Description | Remark | Qty | Model |
|-----|----------------|--------------------|--------|-----|-------|
| | | body front section | | | |
| (1) | 996 501 911 01 | body front section | /LL | 1 | |
| | GRV | prime coated | | | |
| (1) | 996 501 911 03 | body front section | /RL | 1 | |
| | GRV | prime coated | | | |
| | | use also: | | | |
| 2 | 996 501 443 00 | bottom half | /L | 1 | |
| | GRV | prime coated | | | |
| (2) | 996 501 444 01 | bottom half | /R | 1 | |
| | GRV | prime coated | | | |
| 3 | 996 504 121 02 | lid firewall | /LL | 1 | |
| (3) | 996 504 121 03 | lid firewall | /RL | 1 | |
| - | 999 702 255 40 | lid 61,5 X 72,6 | | 1 | |

| | | | | | | | | | | | |
|-------|------|----|----|--------------|--------------|-----|-------|------------|---------|-----|---------|
| Model | Year | MG | SG | Illustration | Restrictions | UPD | 19:56 | 24.01.2010 | PORSCHE | PET | PORSCHE |
| 996T | 2005 | 8 | 01 | 801-10 | | 248 | | | | | |

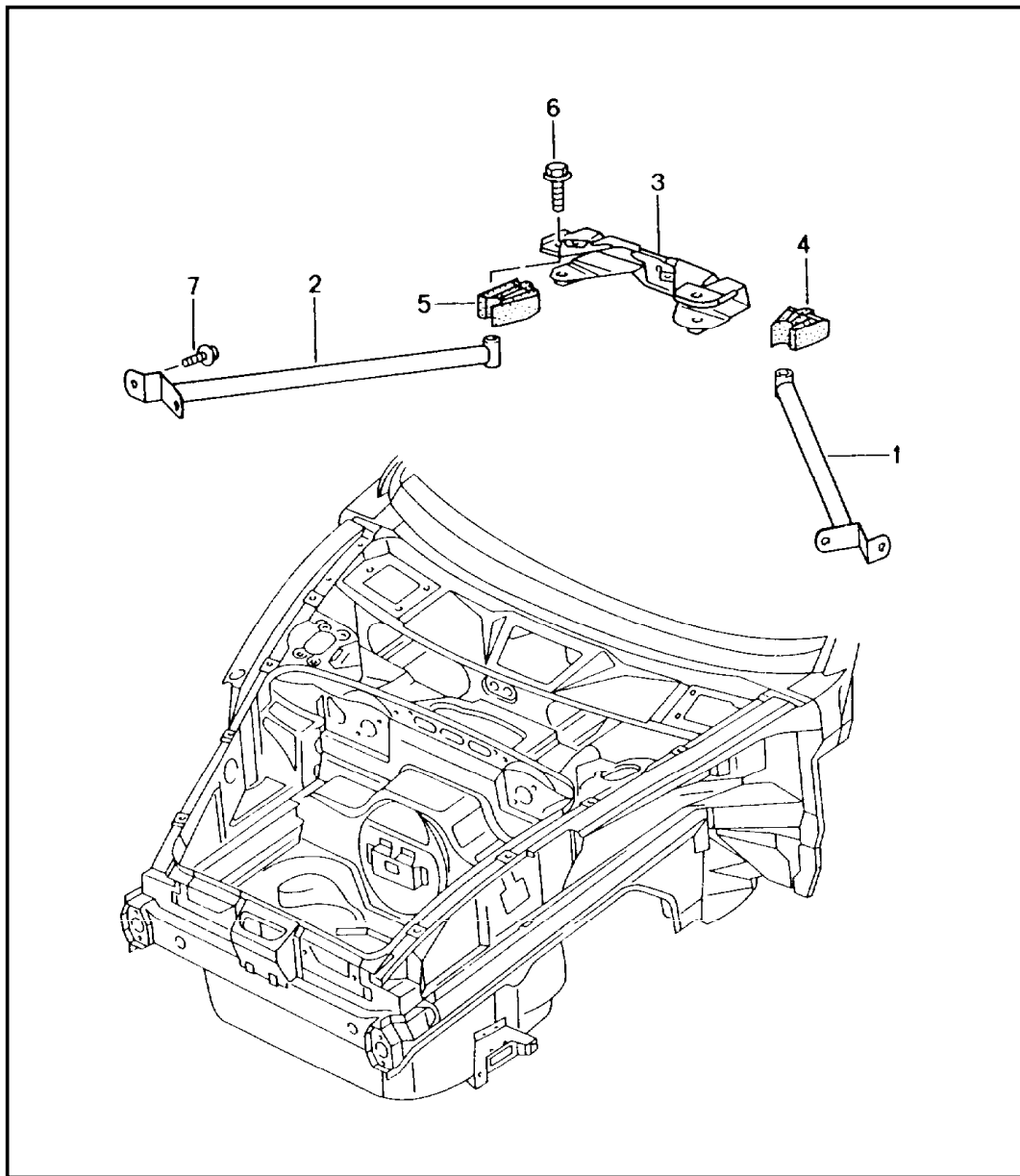


| Pos | Part Number | Description | Remark | Qty | Model |
|-----|----------------|------------------------------------|--------|-----|-------|
| | | body front section single parts | | | |
| 1 | 996 501 231 01 | terminal piece | | 1 | |
| | GRV | prime coated | | | |
| (2) | 996 501 979 01 | spare-wheel well | | 1 | |
| | GRV | prime coated | | | |
| 3 | 996 501 649 00 | corner panel | /L | 1 | |
| | GRV | prime coated | | | |
| (3) | 996 501 650 00 | corner panel | /R | 1 | |
| | GRV | prime coated | | | |
| 4 | 996 501 621 00 | support | | 3 | |
| | GRV | prime coated | | | |
| 5 | 996 501 305 06 | side member | /L | 1 | |
| | GRV | prime coated | | | |
| (5) | 996 501 306 06 | side member | /R | 1 | |
| | GRV | prime coated | | | |
| 6 | 996 501 377 01 | mounting | | 2 | |
| | GRV | prime coated | | | |
| 7 | 996 501 915 00 | side member | /L | 1 | |
| | GRV | prime coated | | | |
| (7) | 996 501 916 00 | side member | /R | 1 | |
| | GRV | prime coated | | | |
| 8 | 996 501 935 00 | wheel housing | /L | 1 | |
| | GRV | prime coated | | | |
| (8) | 996 501 936 01 | wheel housing | /R | 1 | |
| | GRV | prime coated | | | |
| 9 | 996 501 443 00 | bottom half | /L | 1 | |
| | GRV | prime coated | | | |
| (9) | 996 501 444 01 | bottom half | /R | 1 | |

| | | | | | | | | | | | |
|-------|------|----|----|--------------|--------------|-----|-------|------------|---------|-----|---------|
| Model | Year | MG | SG | Illustration | Restrictions | UPD | 19:56 | 24.01.2010 | PORSCHE | PET | PORSCHE |
| 996T | 2005 | 8 | 01 | 801-10 | | 248 | | | | | |

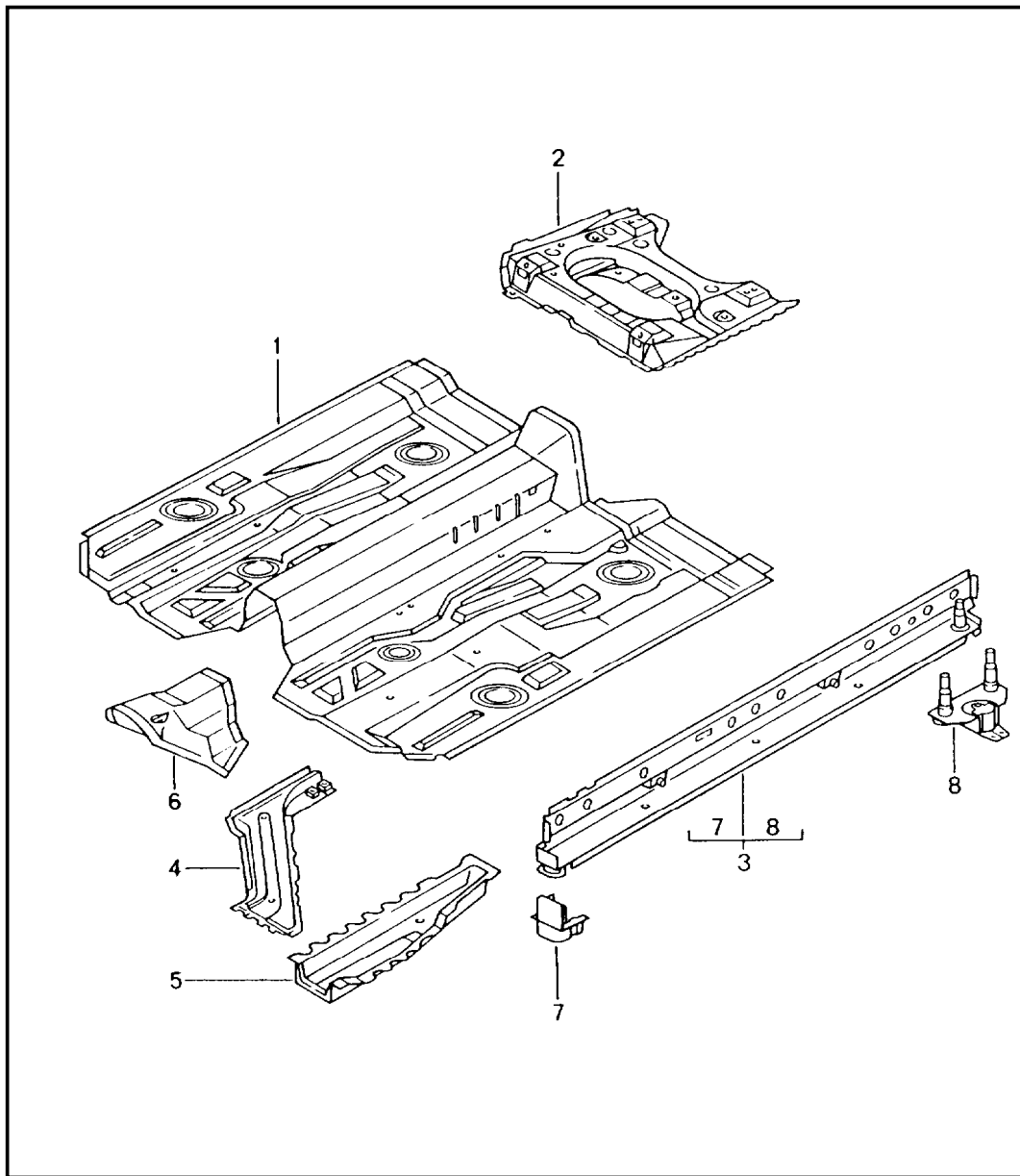
| Pos | Part Number | Description | Remark | Qty | Model | Pos | Part Number | Description | Remark | Qty | Model |
|------|----------------|-----------------------------|--------|-----|-------|-----|----------------|-----------------|--------|-----|-------|
| | GRV | prime coated | | | | 22 | 996 504 471 00 | lid | | 1 | |
| 10 | 996 501 937 01 | hinge pillar | /L | 1 | | 23 | 900 096 006 01 | cap nut M 6 | | 4 | |
| | GRV | prime coated | | | | | | | | | |
| (10) | 996 501 938 01 | hinge pillar | /R | 1 | | 24 | N 011 524 7 | washer A 6,4 | | 4 | |
| | GRV | prime coated | | | | | | | | | |
| 11 | 996 504 201 01 | lid \$ 145 MM | | 2 | | | | | | | |
| 12 | 996 504 213 01 | lid \$ 85 MM | | 2 | | | | | | | |
| 14 | 996 501 815 02 | support | | 2 | | | | | | | |
| | GRV | prime coated | | | | | | | | | |
| (15) | 996 502 015 02 | bulkhead | /LL | 1 | | | | | | | |
| | GRV | prime coated | | | | | | | | | |
| (15) | 996 502 015 03 | bulkhead | /RL | 1 | | | | | | | |
| | GRV | prime coated | | | | | | | | | |
| 16 | 996 502 017 05 | cross panel | | 1 | | | | | | | |
| | GRV | prime coated | | | | | | | | | |
| 17 | 996 501 341 00 | support | | 2 | | | | | | | |
| | GRV | prime coated | | | | | | | | | |
| 18 | 996 501 665 00 | separator | /L | 1 | | | | | | | |
| | GRV | prime coated | | | | | | | | | |
| (18) | 996 501 666 00 | separator | /R | 1 | | | | | | | |
| | GRV | prime coated | | | | | | | | | |
| 19 | 996 504 461 00 | cover | /L | 1 | | | | | | | |
| (19) | 996 504 462 00 | cover | /R | 1 | | | | | | | |
| 20 | 999 084 629 09 | hexagon nut M 6 | | 6 | | | | | | | |
| - | 996 504 761 01 | seal | /L | 1 | | | | | | | |
| - | 996 504 762 01 | seal | /R | 1 | | | | | | | |
| - | 999 507 760 40 | expansion rivet 6,5 X 20 | | 4 | | | | | | | |

| | | | | | | | | | | | |
|-------|------|----|----|--------------|--------------|-----|-------|------------|---------|-----|---------|
| Model | Year | MG | SG | Illustration | Restrictions | UPD | 19:56 | 24.01.2010 | PORSCHE | PET | PORSCHE |
| 996T | 2005 | 8 | 01 | 801-15 | | 248 | | | | | |



| Pos | Part Number | Description | Remark | Qty | Model |
|-----|------------------|---------------------------------|--------|-----|-------|
| | | dome strut | | | |
| 1 | A 996 504 233 00 | dome strut | /L | -02 | 1 |
| 1 | 996 504 233 01 | dome strut | /L | | 1 |
| 2 | A 996 504 234 00 | dome strut | /R | -02 | 1 |
| 2 | 996 504 234 01 | dome strut | /R | | 1 |
| 3 | 996 504 359 00 | bracket | | | 1 |
| 4 | 996 504 633 00 | filler piece | /L | | 1 |
| 5 | 996 504 634 00 | filler piece | /R | | 1 |
| 6 | 900 378 100 09 | hexagon-head bolt AM 10 X 45 | | | 2 |
| 7 | 900 075 010 09 | combination screw M 6 X 12 | | | 4 |

| | | | | | | | | | | | |
|-------|------|----|----|--------------|--------------|-----|-------|------------|---------|-----|---------|
| Model | Year | MG | SG | Illustration | Restrictions | UPD | 19:57 | 24.01.2010 | PORSCHE | PET | PORSCHE |
| 996T | 2005 | 8 | 01 | 801-20 | | 248 | | | | | |

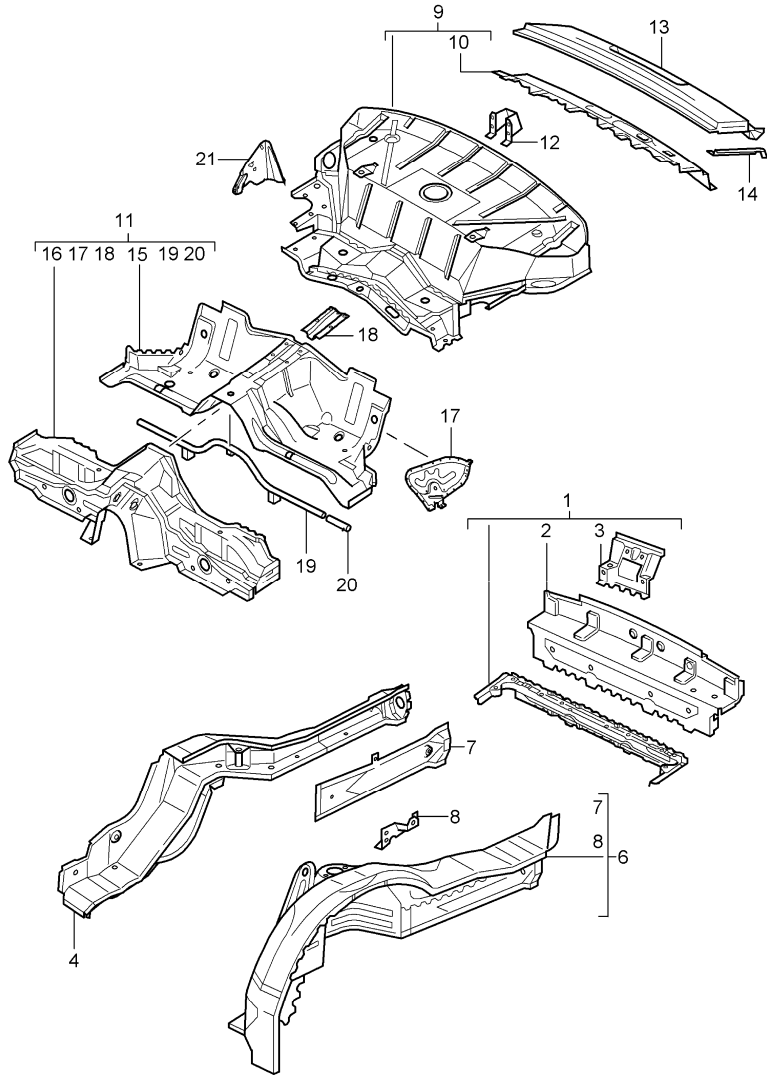


| Pos | Part Number | Description | Remark | Qty | Model |
|-----|----------------|-----------------|--------|-----|-------|
| | | floor centre | | | |
| 1 | 996 501 551 00 | floor | | 1 | |
| | GRV | prime coated | | | |
| 2 | 996 501 153 00 | seat support | /L | 1 | |
| | GRV | prime coated | | | |
| (2) | 996 501 154 00 | seat support | /R | 1 | |
| | GRV | prime coated | | | |
| 3 | 996 501 957 00 | side member | /L | 1 | |
| | GRV | prime coated | | | |
| (3) | 996 501 958 01 | side member | /R | 1 | |
| | GRV | prime coated | | | |
| 4 | 996 501 507 01 | reinforcement | /L | 1 | |
| | GRV | prime coated | | | |
| (4) | 996 501 508 01 | reinforcement | /R | 1 | |
| | GRV | prime coated | | | |
| 5 | 996 501 525 00 | side member | /L | 1 | |
| | GRV | prime coated | | | |
| (5) | 996 501 526 00 | side member | /R | 1 | |
| | GRV | prime coated | | | |
| 6 | 996 501 751 00 | extension | | 1 | |
| | GRV | prime coated | | | |
| 7 | 996 501 785 00 | jacking point | /L/V | 1 | |
| | GRV | prime coated | | | |
| (7) | 996 501 786 00 | jacking point | /R/V | 1 | |
| | GRV | prime coated | | | |
| 8 | 996 501 481 01 | jacking point | /L/H | 1 | |
| | GRV | prime coated | | | |
| (8) | 996 501 482 01 | jacking point | /R/H | 1 | |

| | | | | | | | | | | | |
|-------|------|----|----|--------------|--------------|-----|-------|------------|---------|-----|---------|
| Model | Year | MG | SG | Illustration | Restrictions | UPD | 19:57 | 24.01.2010 | PORSCHE | PET | PORSCHE |
| 996T | 2005 | 8 | 01 | 801-20 | | 248 | | | | | |

| Pos | Part Number | Description | Remark | Qty | Model | Pos | Part Number | Description | Remark | Qty | Model |
|-----|----------------|----------------------------|--------|-----|-------|-----|-------------|-------------|--------|-----|-------|
| | | GRV prime coated | | | | | | | | | |
| 9 | 996 501 409 01 | reinforcement tunnel | | 1 | | | | | | | |
| | | GRV prime coated | | | | | | | | | |
| 10 | 996 501 719 00 | filler plate reinforcement | | 1 | | | | | | | |
| | | GRV prime coated | | | | | | | | | |
| - | 996 504 201 01 | lid \$ 145 MM | | X | | | | | | | |
| - | 996 504 205 01 | lid \$ 130 MM | | X | | | | | | | |
| - | 996 504 207 01 | lid \$ 100 MM | | X | | | | | | | |

| | | | | | | | | | | | |
|-------|------|----|----|--------------|--------------|-----|-------|------------|---------|-----|---------|
| Model | Year | MG | SG | Illustration | Restrictions | UPD | 19:57 | 24.01.2010 | PORSCHE | PET | PORSCHE |
| 996T | 2005 | 8 | 01 | 801-35 | | 248 | | | | | |

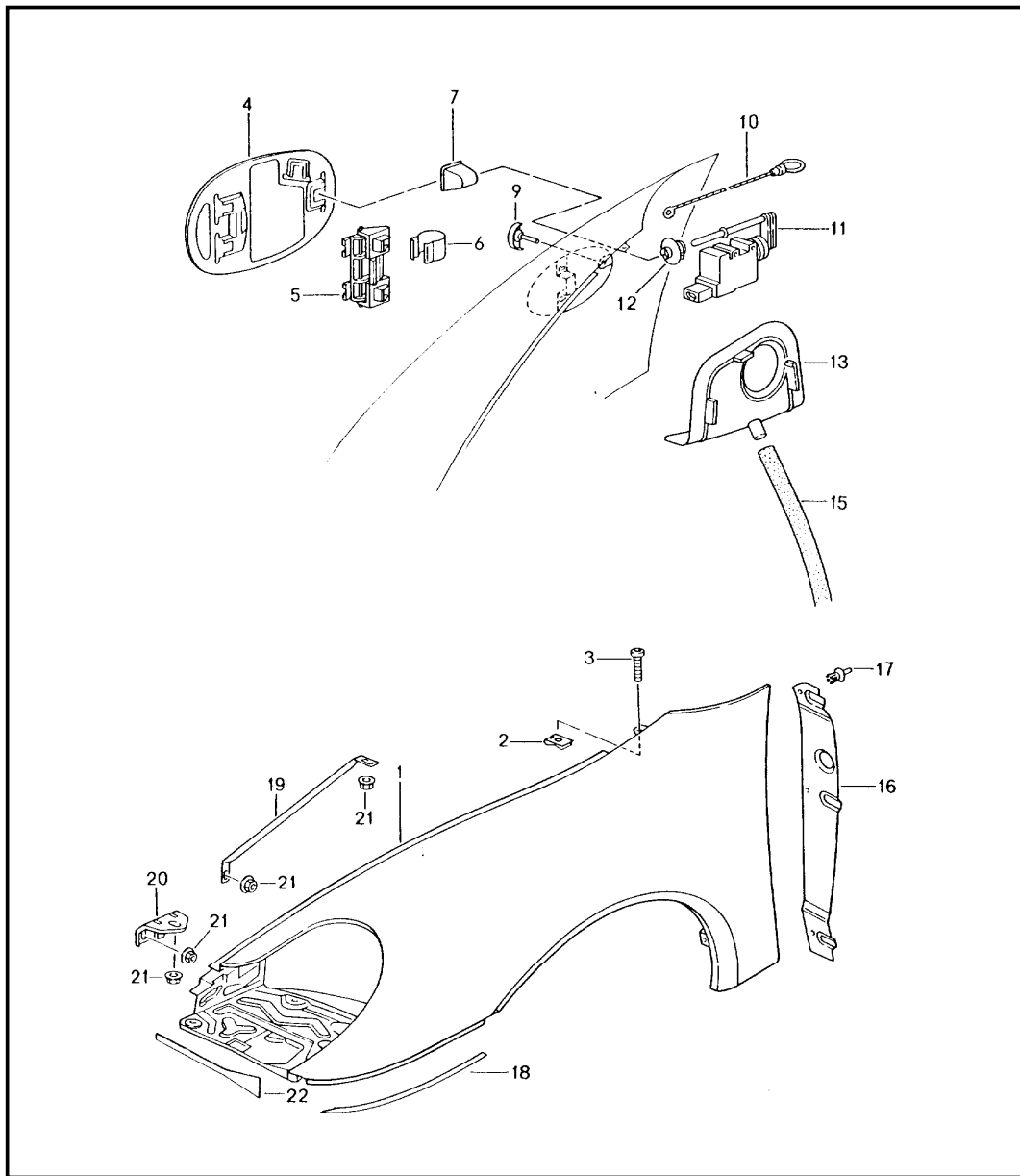


| Pos | Part Number | Description | Remark | Qty | Model |
|------|----------------|---|--------|-----|--------|
| 1 | 996 501 173 05 | rear end terminal piece | | 1 | TURBO |
| | GRV | prime coated | | | |
| 1 | 996 501 173 90 | terminal piece | | 1 | GT2 |
| | GRV | prime coated | | | |
| 2 | 996 501 273 02 | end plate | | 1 | |
| | GRV | prime coated see tpi group 8 Nr.51 | | | |
| 3 | 996 501 247 01 | lock carrier | | 1 | |
| | GRV | prime coated | | | |
| 4 | 996 501 977 00 | side member | /L | 1 | |
| | GRV | prime coated | | | |
| (4) | 996 501 978 00 | side member | /R | 1 | |
| | GRV | prime coated | | | |
| 6 | 996 501 943 00 | wheel housing | /L | 1 | |
| | GRV | prime coated | | | |
| (6) | 996 501 944 00 | wheel housing | /R | 1 | |
| | GRV | prime coated | | | |
| 7 | 996 501 595 01 | side member | /L | 1 | |
| | GRV | prime coated | | | |
| (7) | 996 501 596 01 | side member | /R | 1 | |
| | GRV | prime coated | | | |
| 9 | 996 502 191 12 | rear wall | | 1 | COUPE |
| | GRV | prime coated | | | |
| 10 | 996 502 673 02 | cross member | | 1 | COUPE |
| | GRV | prime coated | | | |
| (10) | 996 502 673 07 | cross member | | 1 | CABRIO |
| | GRV | prime coated | | | |

| | | | | | | | | | | | |
|-------|------|----|----|--------------|--------------|-----|-------|------------|---------|-----|---------|
| Model | Year | MG | SG | Illustration | Restrictions | UPD | 19:57 | 24.01.2010 | PORSCHE | PET | PORSCHE |
| 996T | 2005 | 8 | 01 | 801-35 | | 248 | | | | | |

| Pos | Part Number | Description | Remark | Qty | Model | Pos | Part Number | Description | Remark | Qty | Model |
|------|----------------|-------------------------|--------|-----|--------|------|----------------|-------------------|--------|-----|--------|
| (10) | 996 502 561 01 | cross member | | 1 | CABRIO | 21 | 996 504 798 00 | bracket | /R | 1 | |
| | GRV | prime coated upper part | | | | | GRV | prime coated belt | | | |
| 11 | 996 501 949 00 | seat well | -01 | 1 | | 22 | 996 502 653 01 | connecting piece | /L | 1 | COUPE |
| | GRV | prime coated | | | | | GRV | prime coated | | | |
| 11 | 996 501 049 03 | seat well | 02- | 1 | | (22) | 996 502 654 01 | connecting piece | /R | 1 | COUPE |
| | GRV | prime coated | | | | | GRV | prime coated | | | |
| 13 | 996 503 211 02 | rear centre panel | | 1 | | (22) | 997 502 553 00 | connecting piece | /L | 1 | CABRIO |
| | GRV | prime coated | | | | | GRV | prime coated | | | |
| 13 | 996 503 211 90 | rear centre panel | | 1 | GT2 | (22) | 997 502 554 00 | connecting piece | | 1 | CABRIO |
| | GRV | prime coated | | | | | GRV | prime coated | | | |
| 14 | 996 545 549 01 | piping | /L | 1 | | | | | | | |
| (14) | 996 545 550 01 | piping | /R | 1 | | | | | | | |
| 15 | 996 501 549 03 | seat well | | 1 | | | | | | | |
| | GRV | prime coated | | | | | | | | | |
| 16 | 996 501 155 02 | cross member | | 1 | | | | | | | |
| | GRV | prime coated | | | | | | | | | |
| 17 | 996 501 461 02 | reinforcement | /L | 1 | | | | | | | |
| | GRV | prime coated | | | | | | | | | |
| (17) | 996 501 462 02 | reinforcement | /R | 1 | | | | | | | |
| | GRV | prime coated | | | | | | | | | |
| 18 | 996 501 659 01 | bracket | | 1 | | | | | | | |
| | GRV | prime coated | | | | | | | | | |
| 19 | 996 501 411 00 | pipe | | 1 | | | | | | | |
| | GRV | prime coated | | | | | | | | | |
| 20 | 996 501 415 00 | sleeve | | 1 | | | | | | | |
| | GRV | prime coated | | | | | | | | | |
| (21) | 996 504 797 00 | bracket | /L | 1 | | | | | | | |
| | GRV | prime coated belt | | | | | | | | | |

| | | | | | | | | | | | |
|-------|------|----|----|--------------|--------------|-----|-------|------------|---------|-----|---------|
| Model | Year | MG | SG | Illustration | Restrictions | UPD | 19:57 | 24.01.2010 | PORSCHE | PET | PORSCHE |
| 996T | 2005 | 8 | 01 | 801-40 | | 248 | | | | | |

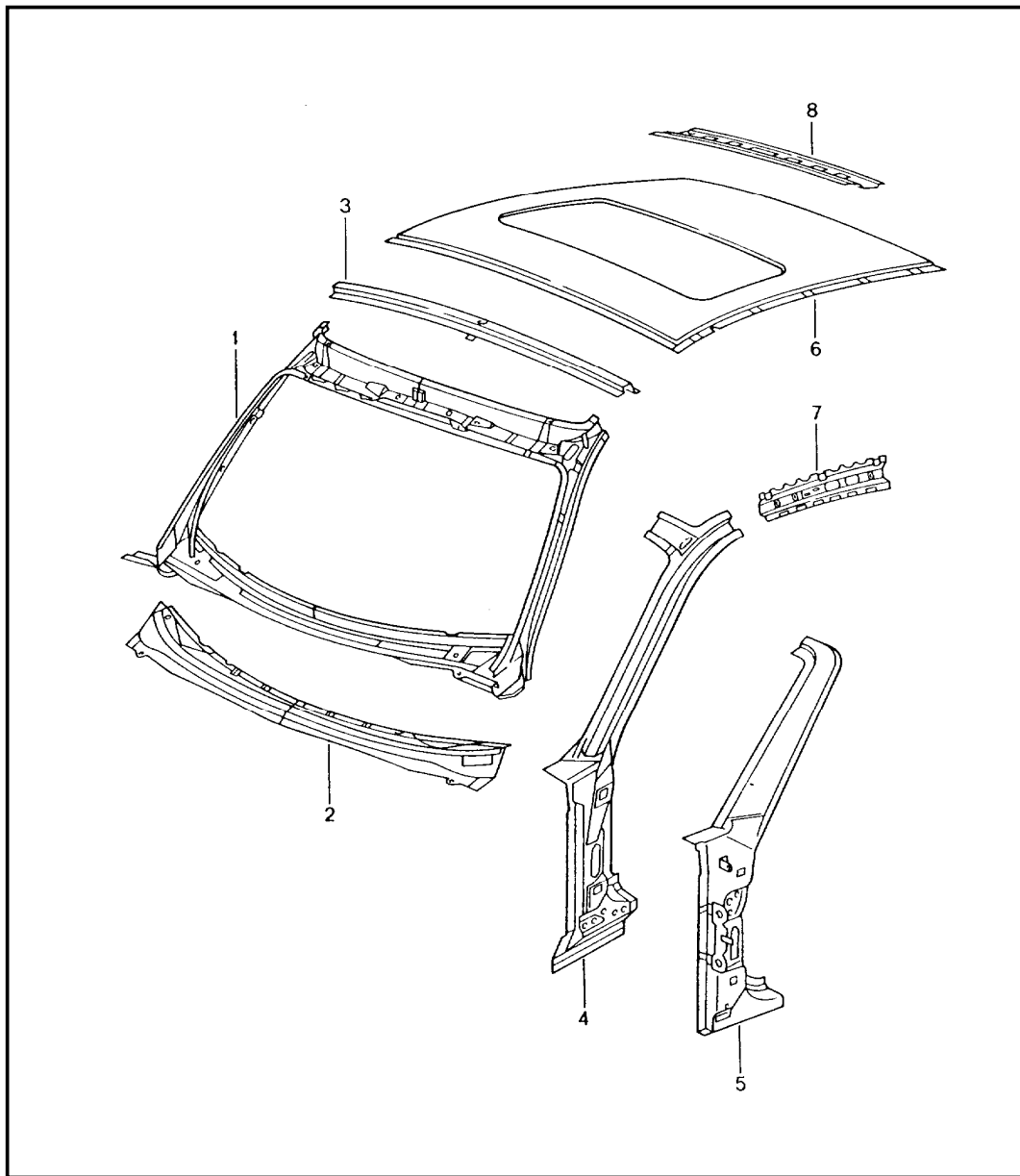


| Pos | Part Number | Description | Remark | Qty | Model |
|------|------------------|---------------------------------|--------|-----|-------|
| 1 | A 996 503 031 02 | wing | /L | 1 | |
| | | GRV | | | |
| 1 | 996 503 031 03 | wing | /L | 1 | |
| | | GRV | | | |
| (1) | A 996 503 032 02 | wing | /R | 1 | |
| | | GRV | | | |
| (1) | 996 503 032 05 | wing | /R | 1 | |
| | | GRV | | | |
| 2 | 999 507 003 02 | speed nut ST 6,3 | | 22 | |
| 3 | 999 073 128 02 | tapping screw ST 6,3 X 14 | | 22 | |
| 4 | 996 504 133 01 | fuel filler flap | | 1 | |
| | | GRV | | | |
| 5 | 996 201 063 00 | hinge | | 1 | |
| 6 | 996 201 413 01 | spring | | 1 | |
| 7 | 996 201 423 00 | cap | | 1 | |
| 9 | 996 201 513 00 | rubber stop | | 1 | |
| 10 | 996 201 493 00 | emergency operation | | 1 | |
| 11 | 996 624 113 00 | actuator | | 1 | |
| 12 | 996 624 505 02 | guide rose | | 1 | |
| 13 | 996 201 667 01 | sleeve | | 1 | |
| 15 | 996 201 153 00 | hose | | 1 | |
| 16 | 996 504 641 01 | cover | /L | 1 | |
| | | 01C | | | |
| (16) | 996 504 642 01 | cover | /R | 1 | |
| | | 01C | | | |
| 17 | 999 591 712 40 | expansion rivet A 6,0 X 12,0 | | 6 | |

| | | | | | | | | | | | |
|-------|------|----|----|--------------|--------------|-----|-------|------------|---------|-----|---------|
| Model | Year | MG | SG | Illustration | Restrictions | UPD | 19:57 | 24.01.2010 | PORSCHE | PET | PORSCHE |
| 996T | 2005 | 8 | 01 | 801-40 | | 248 | | | | | |

| Pos | Part Number | Description | Remark | Qty | Model | Pos | Part Number | Description | Remark | Qty | Model |
|------|----------------|-----------------|--------|-----|-------|-----|-------------|-------------|--------|-----|-------|
| 18 | 996 504 531 01 | protective film | /L | 1 | | | | | | | |
| (18) | 996 504 532 01 | protective film | /R | 1 | | | | | | | |
| 19 | 996 504 441 00 | strut | | 2 | | | | | | | |
| | GRV | prime coated | | | | | | | | | |
| 20 | 996 504 555 00 | support | | 2 | | | | | | | |
| | GRV | prime coated | | | | | | | | | |
| 21 | 900 377 010 09 | nut | | X | | | | | | | |
| | | M 6 | | | | | | | | | |
| 22 | 996 504 617 00 | protective film | | 2 | | | | | | | |

| | | | | | | | | | | | |
|-------|------|----|----|--------------|--------------|-----|-------|------------|---------|-----|---------|
| Model | Year | MG | SG | Illustration | Restrictions | UPD | 19:57 | 24.01.2010 | PORSCHE | PET | PORSCHE |
| 996T | 2005 | 8 | 01 | 801-45 | | 248 | | | | | |

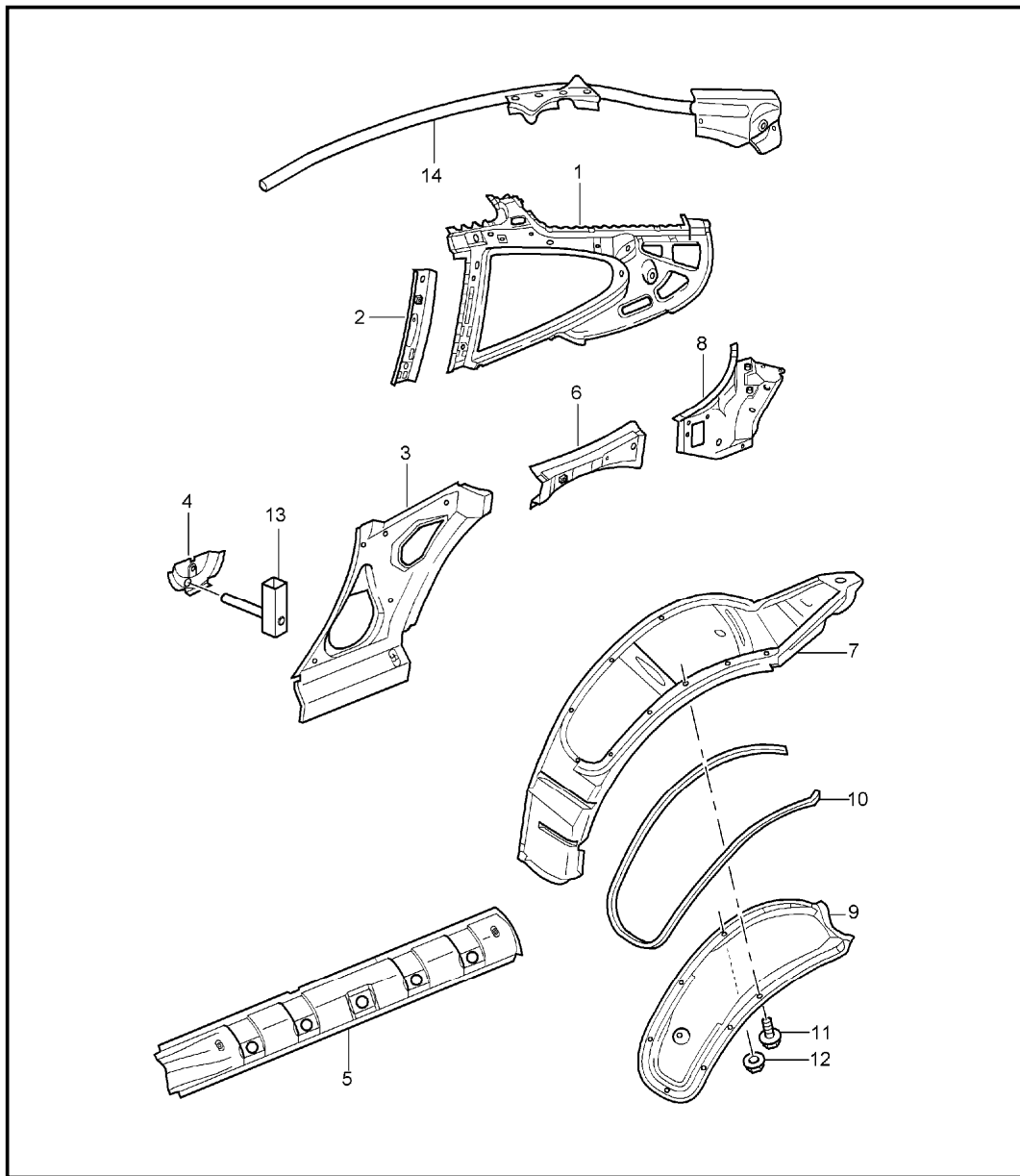


| Pos | Part Number | Description | Remark | Qty | Model |
|-----|------------------|---|--------|-----|--------|
| 1 | A 996 502 137 05 | cowl cowl | | 1 | COUPE |
| | GRV | prime coated inner | | | |
| 1 | 996 502 137 08 | cowl see group 8/07/09 sun visor | | 1 | COUPE |
| | GRV | prime coated inner | | | |
| (1) | 996 502 137 04 | cowl | | 1 | CABRIO |
| | GRV | prime coated inner | | | |
| 2 | 996 502 527 01 | cowl | | 1 | |
| | GRV | prime coated outer | | | |
| 3 | 996 502 529 00 | cowl | | 1 | CABRIO |
| | GRV | prime coated outer | | | |
| 4 | 996 502 135 02 | reinforcement | /L | 1 | COUPE |
| | GRV | prime coated inner | | | |
| (4) | 996 502 136 02 | reinforcement | /R | 1 | COUPE |
| | GRV | prime coated inner | | | |
| (4) | 996 502 135 00 | reinforcement | /L | 1 | CABRIO |
| | GRV | prime coated inner | | | |
| (4) | 996 502 136 00 | reinforcement | /R | 1 | CABRIO |
| | GRV | prime coated inner | | | |
| 5 | 996 502 335 00 | hinge pillar | /L | 1 | CABRIO |
| | GRV | prime coated | | | |
| (5) | 996 502 336 00 | hinge pillar | /R | 1 | CABRIO |
| | GRV | prime coated | | | |

| | | | | | | | | | | | |
|-------|------|----|----|--------------|--------------|-----|-------|------------|---------|-----|---------|
| Model | Year | MG | SG | Illustration | Restrictions | UPD | 19:57 | 24.01.2010 | PORSCHE | PET | PORSCHE |
| 996T | 2005 | 8 | 01 | 801-45 | | 248 | | | | | |

| Pos | Part Number | Description | Remark | Qty | Model | Pos | Part Number | Description | Remark | Qty | Model |
|-----|----------------|-------------------------------|--------|-----|--------|-----|-------------|-------------|--------|-----|-------|
| (6) | 996 503 501 00 | outer roof panel | | 1 | | | | | | | |
| | GRV | prime coated | | | | | | | | | |
| 6 | 996 503 087 00 | outer roof panel | | 1 | M650 | | | | | | |
| | GRV | prime coated | | | | | | | | | |
| 7 | 996 502 305 03 | roof frame | /L | 1 | | | | | | | |
| | GRV | prime coated | | | | | | | | | |
| (7) | 996 502 306 03 | roof frame | /R | 1 | | | | | | | |
| | GRV | prime coated | | | | | | | | | |
| 8 | 996 502 505 00 | roof frame | | 1 | | | | | | | |
| | GRV | prime coated | | | | | | | | | |
| - | 996 504 911 00 | plate with threaded pin | | X | | | | | | | |
| - | 996 504 505 00 | threaded bush | | X | | | | | | | |
| - | 900 025 008 09 | washer A 10,5 | | X | | | | | | | |
| - | 996 502 737 00 | captive nut M 6 cowl | | 2 | CABRIO | | | | | | |
| - | 997 502 739 00 | captive nut M 6 cowl | | 1 | CABRIO | | | | | | |

| | | | | | | | | | | | |
|-------|------|----|----|--------------|--------------|-----|-------|------------|---------|-----|---------|
| Model | Year | MG | SG | Illustration | Restrictions | UPD | 19:57 | 24.01.2010 | PORSCHE | PET | PORSCHE |
| 996T | 2005 | 8 | 01 | 801-50 | | 248 | | | | | |

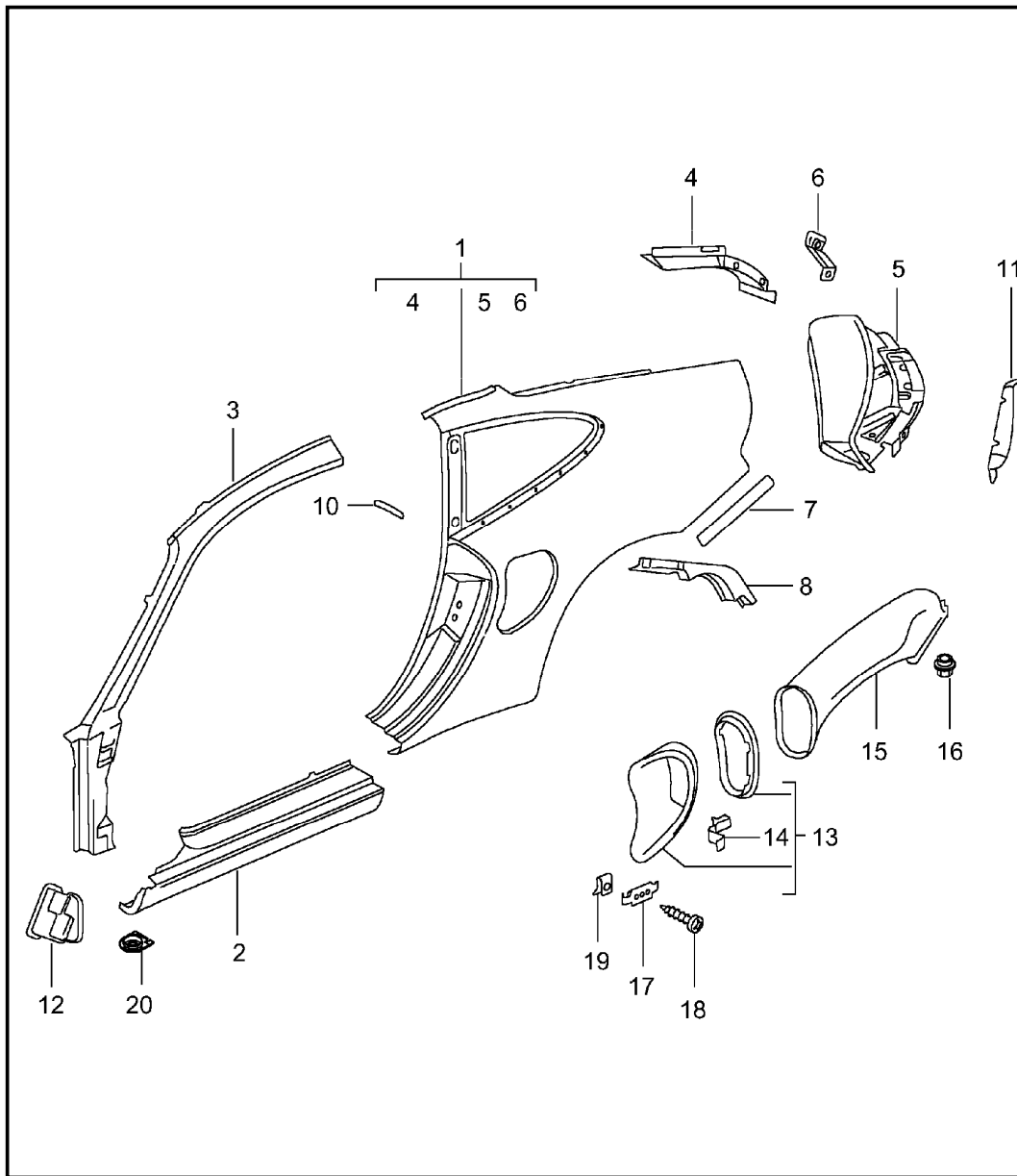


| Pos | Part Number | Description | Remark | Qty | Model |
|-----|------------------|--------------------|--------|-----|-------|
| 1 | 996 502 043 02 | side section inner | | 1 | |
| | GRV | prime coated | | | |
| (1) | 996 502 044 02 | side section | /L | 1 | |
| | GRV | prime coated | | | |
| 2 | A 996 502 423 01 | reinforcement | /R | 1 | |
| | GRV | prime coated | | | |
| (2) | 996 502 424 01 | reinforcement | /L | 1 | |
| | GRV | prime coated | | | |
| 2 | A 996 502 423 02 | reinforcement | /R | 1 | |
| | GRV | prime coated | | | |
| (2) | 996 502 424 02 | reinforcement | /L | 1 | |
| | GRV | prime coated | | | |
| 3 | A 996 502 083 00 | side section | /R | 1 | |
| | GRV | prime coated | | | |
| 3 | 996 502 083 02 | side section | /L | 1 | |
| | GRV | prime coated | | | |
| (3) | A 996 502 084 00 | side section | /R | 1 | |
| | GRV | prime coated | | | |
| (3) | 996 502 084 02 | side section | /L | 1 | |
| | GRV | prime coated | | | |
| 4 | 996 502 383 00 | bracket | | 2 | |
| | GRV | prime coated | | | |
| 5 | A 996 502 733 00 | reinforcement | /R | 1 | |
| | GRV | prime coated | | | |
| 5 | 996 502 733 01 | reinforcement | /L | 1 | |
| | GRV | prime coated | | | |
| (5) | A 996 502 734 00 | reinforcement | /R | 1 | |

| | | | | | | | | | | | |
|-------|------|----|----|--------------|--------------|-----|-------|------------|---------|-----|---------|
| Model | Year | MG | SG | Illustration | Restrictions | UPD | 19:57 | 24.01.2010 | PORSCHE | PET | PORSCHE |
| 996T | 2005 | 8 | 01 | 801-50 | | 248 | | | | | |

| Pos | Part Number | Description | Remark | Qty | Model | Pos | Part Number | Description | Remark | Qty | Model |
|------|----------------|--|--------|-----|-------|-----|-------------|------------------|--------|-----|-------|
| | | GRV prime coated | | | | | | GRV prime coated | | | |
| (5) | 996 502 734 01 | reinforcement | /R | 1 | | | | | | | |
| | | GRV prime coated | | | | | | | | | |
| - | 999 703 433 40 | stopper 30 X 42 for POS. 5 | | 10 | | | | | | | |
| 6 | 996 502 115 00 | side section | /L | 1 | | | | | | | |
| | | GRV prime coated | | | | | | | | | |
| (6) | 996 502 116 00 | side section | /R | 1 | | | | | | | |
| | | GRV prime coated | | | | | | | | | |
| 7 | 996 502 215 00 | wheel housing | /L | 1 | | | | | | | |
| | | GRV prime coated | | | | | | | | | |
| (7) | 996 502 216 00 | wheel housing | /R | 1 | | | | | | | |
| | | GRV prime coated | | | | | | | | | |
| 8 | 996 502 161 02 | side section | /L | 1 | | | | | | | |
| | | GRV prime coated | | | | | | | | | |
| (8) | 996 502 162 02 | side section | /R | 1 | | | | | | | |
| | | GRV prime coated | | | | | | | | | |
| 9 | 996 504 221 00 | lid | /L | 1 | | | | | | | |
| (9) | 996 504 222 00 | lid | /R | 1 | | | | | | | |
| 10 | 996 504 613 00 | gasket | | 2 | | | | | | | |
| 11 | 999 217 153 09 | hexagon-head bolt M 6 X 12 | | 22 | | | | | | | |
| 12 | 999 084 629 09 | hexagon nut M 6 | | 2 | | | | | | | |
| 13 | 996 502 617 00 | pipe | | 02- | 2 | | | | | | |
| | | GRV prime coated see technical manual | | | | | | | | | |
| 14 | 996 502 619 00 | pipe | /L | 02- | 1 | | | | | | |
| | | GRV prime coated | | | | | | | | | |
| (14) | 996 502 620 00 | pipe | /R | 02- | 1 | | | | | | |

| | | | | | | | | | | | |
|-------|------|----|----|--------------|--------------|-----|-------|------------|---------|-----|---------|
| Model | Year | MG | SG | Illustration | Restrictions | UPD | 19:58 | 24.01.2010 | PORSCHE | PET | PORSCHE |
| 996T | 2005 | 8 | 01 | 801-55 | | 248 | | | | | |

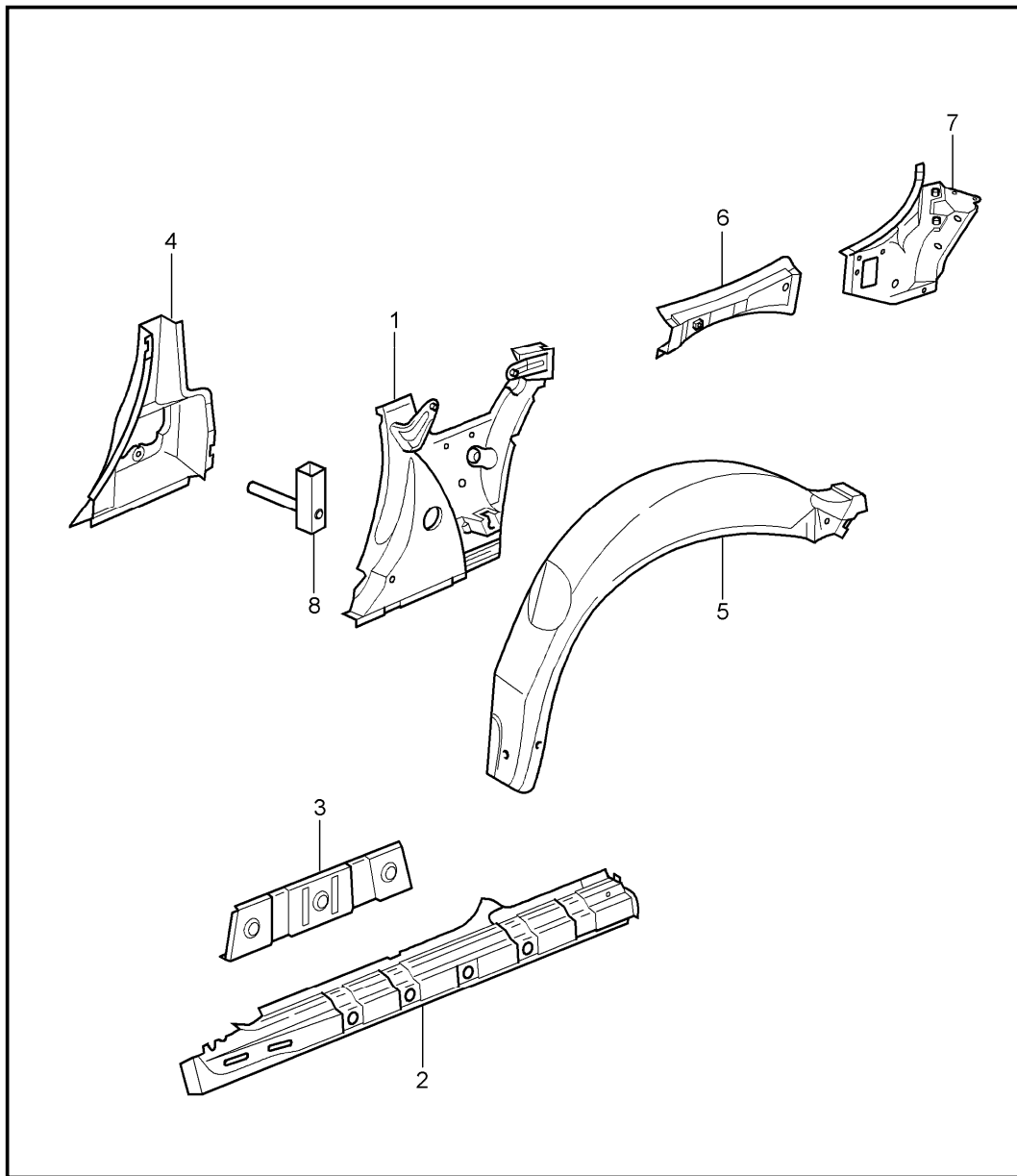


| Pos | Part Number | Description | Remark | Qty | Model |
|-----|------------------|---|--------|-----|-------|
| | | side section outer | | | |
| 1 | A 996 503 961 04 | side section GRV prime coated | /L | -01 | 1 |
| 1 | 996 503 961 07 | side section GRV prime coated | /L | | 1 |
| (1) | A 996 503 962 04 | side section GRV prime coated | /R | -01 | 1 |
| (1) | 996 503 962 07 | side section GRV prime coated | /R | | 1 |
| - | 999 915 650 40 | adhesive TEROMIX 6700 | | | X |
| - | 000 043 300 48 | tool see technical manual group 5 53 55 55 | | | X |
| 2 | 996 503 963 02 | door sill GRV prime coated | /L | | 1 |
| (2) | 996 503 964 02 | door sill GRV prime coated | /R | | 1 |
| 3 | A 996 503 965 01 | roof frame GRV prime coated | /L | -01 | 1 |
| 3 | 996 503 965 03 | roof frame GRV prime coated | /L | | 1 |
| (3) | A 996 503 966 01 | roof frame GRV prime coated | /R | -01 | 1 |
| (3) | 996 503 966 03 | roof frame GRV prime coated | /R | | 1 |
| 4 | 996 502 665 02 | sealing channel GRV prime coated | /L | | 1 |

| | | | | | | | | | | | |
|-------|------|----|----|--------------|--------------|-----|-------|------------|---------|-----|---------|
| Model | Year | MG | SG | Illustration | Restrictions | UPD | 19:58 | 24.01.2010 | PORSCHE | PET | PORSCHE |
| 996T | 2005 | 8 | 01 | 801-55 | | 248 | | | | | |

| Pos | Part Number | Description | Remark | Qty | Model | Pos | Part Number | Description | Remark | Qty | Model |
|------|----------------|-------------------------------|--------|-----|-------|------|----------------|-----------------------------------|--------|-----|-------|
| (4) | 996 502 666 02 | sealing channel | /R | 1 | | (15) | 996 575 560 00 | air duct | /R | 1 | |
| | GRV | prime coated | | | | 16 | 999 045 004 40 | hexagon nut M 6 | | 4 | |
| 5 | 996 502 461 01 | frame for light | /L | 1 | | 17 | 996 504 607 01 | clamp | | 8 | |
| | GRV | prime coated | | | | 18 | 999 073 080 02 | tapping screw ST 4,2 X 16 | | 8 | |
| (5) | 996 502 462 01 | frame for light | /R | 1 | | 19 | 999 591 474 02 | speed nut ST 4,2 | | 8 | |
| | GRV | prime coated | | | | 20 | 999 703 475 40 | water drain sleeve door sill | | 2 | |
| 6 | 996 502 213 01 | bracket | /L | 1 | | - | 996 504 305 00 | support | | 2 | |
| | GRV | prime coated | | | | | GRV | prime coated charge air cooler | | | |
| (6) | 996 502 214 01 | bracket | /R | 1 | | - | 999 076 066 09 | hexagon nut M 6 | | 2 | |
| | GRV | prime coated | | | | | | | | | |
| 7 | 996 504 631 01 | protective film | /L | 1 | | | | | | | |
| (7) | 996 504 632 01 | protective film | /R | 1 | | | | | | | |
| (8) | 996 504 907 01 | gasket | /L | 1 | | | | | | | |
| (8) | 996 504 908 01 | gasket see workshop manual | /R | 1 | | | | | | | |
| - | 999 507 557 40 | expansion rivet 7,8 X 12,3 | | 4 | | | | | | | |
| 10 | 996 537 237 00 | protective film | | 2 | | | | | | | |
| 11 | 996 501 487 00 | angular plate | /L | 1 | | | | | | | |
| | GRV | prime coated | | | | | | | | | |
| (11) | 996 501 488 00 | angular plate | /R | 1 | | | | | | | |
| | GRV | prime coated | | | | | | | | | |
| 12 | 996 572 311 00 | water protection | /L | 1 | | | | | | | |
| (12) | 996 572 312 00 | water protection | /R | 1 | | | | | | | |
| 13 | 996 504 361 00 | air inlet | /L | 1 | | | | | | | |
| | G2X | prime coated | | | | | | | | | |
| (13) | 996 504 362 00 | air inlet | | 1 | | | | | | | |
| | G2X | prime coated | | | | | | | | | |
| 14 | 996 504 605 00 | retainer spring | | 8 | | | | | | | |
| 15 | 996 575 559 00 | air duct | /L | 1 | | | | | | | |

| | | | | | | | | | | | |
|-------|------|----|----|--------------|--------------|-----|-------|------------|---------|-----|---------|
| Model | Year | MG | SG | Illustration | Restrictions | UPD | 19:58 | 24.01.2010 | PORSCHE | PET | PORSCHE |
| 996T | 2005 | 8 | 01 | 801-60 | | 248 | | | | | |

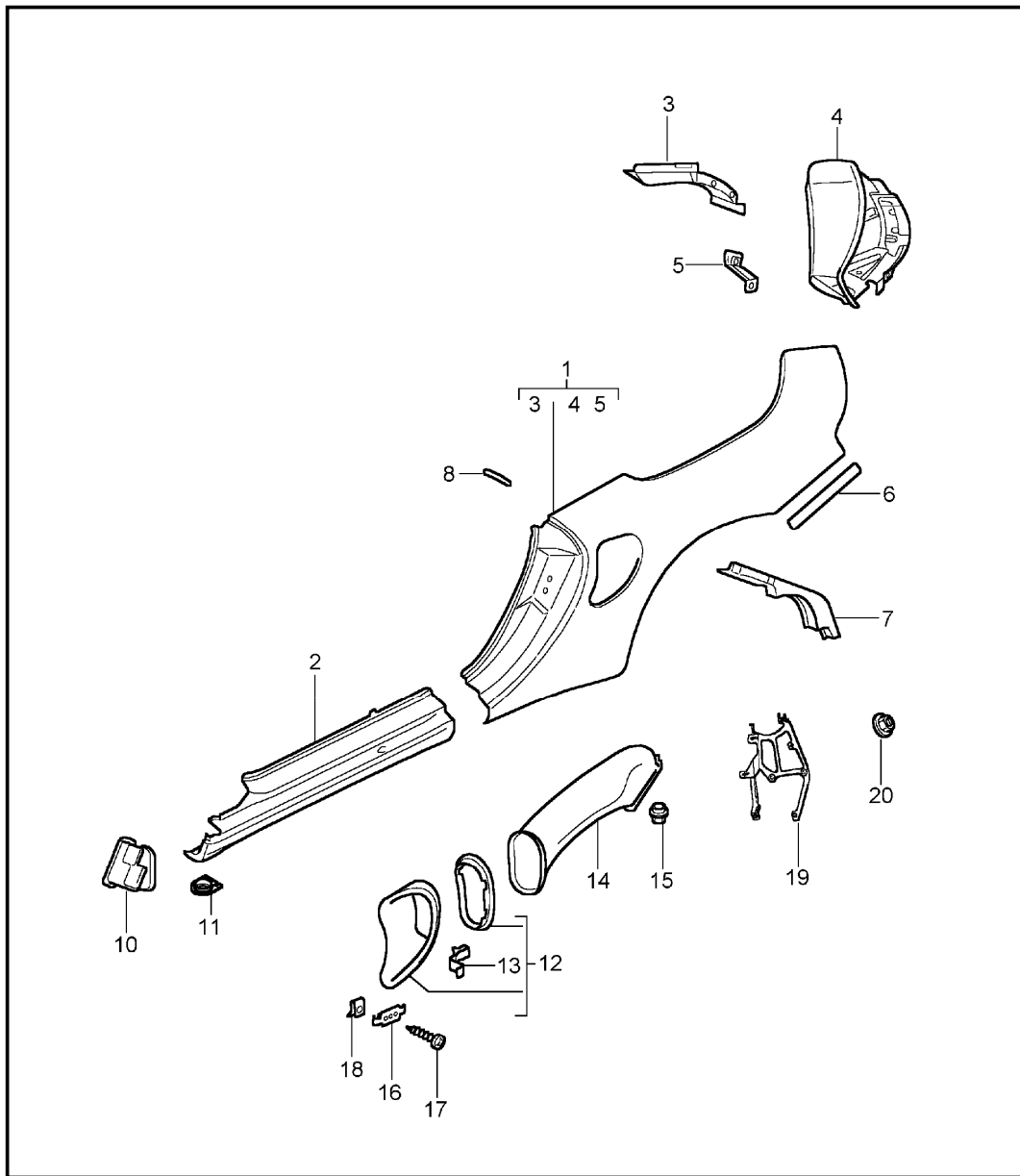


| Pos | Part Number | Description | Remark | Qty | Model |
|-----|----------------|--------------------|--------|-----|--------|
| | | side section inner | | | CABRIO |
| 1 | 996 502 073 05 | side section | /L | 1 | |
| | GRV | prime coated | | | |
| (1) | 996 502 074 05 | side section | /R | 1 | |
| | GRV | prime coated | | | |
| 2 | 996 502 663 02 | reinforcement | /L | 1 | |
| | GRV | prime coated | | | |
| (2) | 996 502 664 02 | reinforcement | /R | 1 | |
| | GRV | prime coated | | | |
| 3 | 996 502 683 01 | separator | /L | 1 | |
| | GRV | prime coated | | | |
| (3) | 996 502 684 01 | separator | /R | 1 | |
| | GRV | prime coated | | | |
| 4 | 996 502 415 01 | b-pillar | /L | 1 | |
| | GRV | prime coated | | | |
| (4) | 996 502 416 01 | b-pillar | /R | 1 | |
| | GRV | prime coated | | | |
| 5 | 996 502 215 02 | wheel housing | /L | 1 | |
| | GRV | prime coated | | | |
| (5) | 996 502 216 02 | wheel housing | /R | 1 | |
| | GRV | prime coated | | | |
| 6 | 996 502 087 00 | side section | /L | 1 | |
| | GRV | prime coated | | | |
| (6) | 996 502 088 00 | side section | /R | 1 | |
| | GRV | prime coated | | | |
| 7 | 996 502 161 04 | side section | /L | 1 | |
| | GRV | prime coated | | | |
| (7) | 996 502 162 04 | side section | /R | 1 | |

| | | | | | | | | | | | |
|-------|------|----|----|--------------|--------------|-----|-------|------------|---------|-----|---------|
| Model | Year | MG | SG | Illustration | Restrictions | UPD | 19:58 | 24.01.2010 | PORSCHE | PET | PORSCHE |
| 996T | 2005 | 8 | 01 | 801-60 | | 248 | | | | | |

| Pos | Part Number | Description | Remark | Qty | Model | Pos | Part Number | Description | Remark | Qty | Model |
|-----|----------------|--|--------|-----|-------|-----|-------------|-------------|--------|-----|-------|
| 8 | 996 502 669 00 | GRV prime coated pipe GRV prime coated | | 2 | | | | | | | |

| | | | | | | | | | | | |
|-------|------|----|----|--------------|--------------|-----|-------|------------|---------|-----|---------|
| Model | Year | MG | SG | Illustration | Restrictions | UPD | 19:58 | 24.01.2010 | PORSCHE | PET | PORSCHE |
| 996T | 2005 | 8 | 01 | 801-65 | | 248 | | | | | |

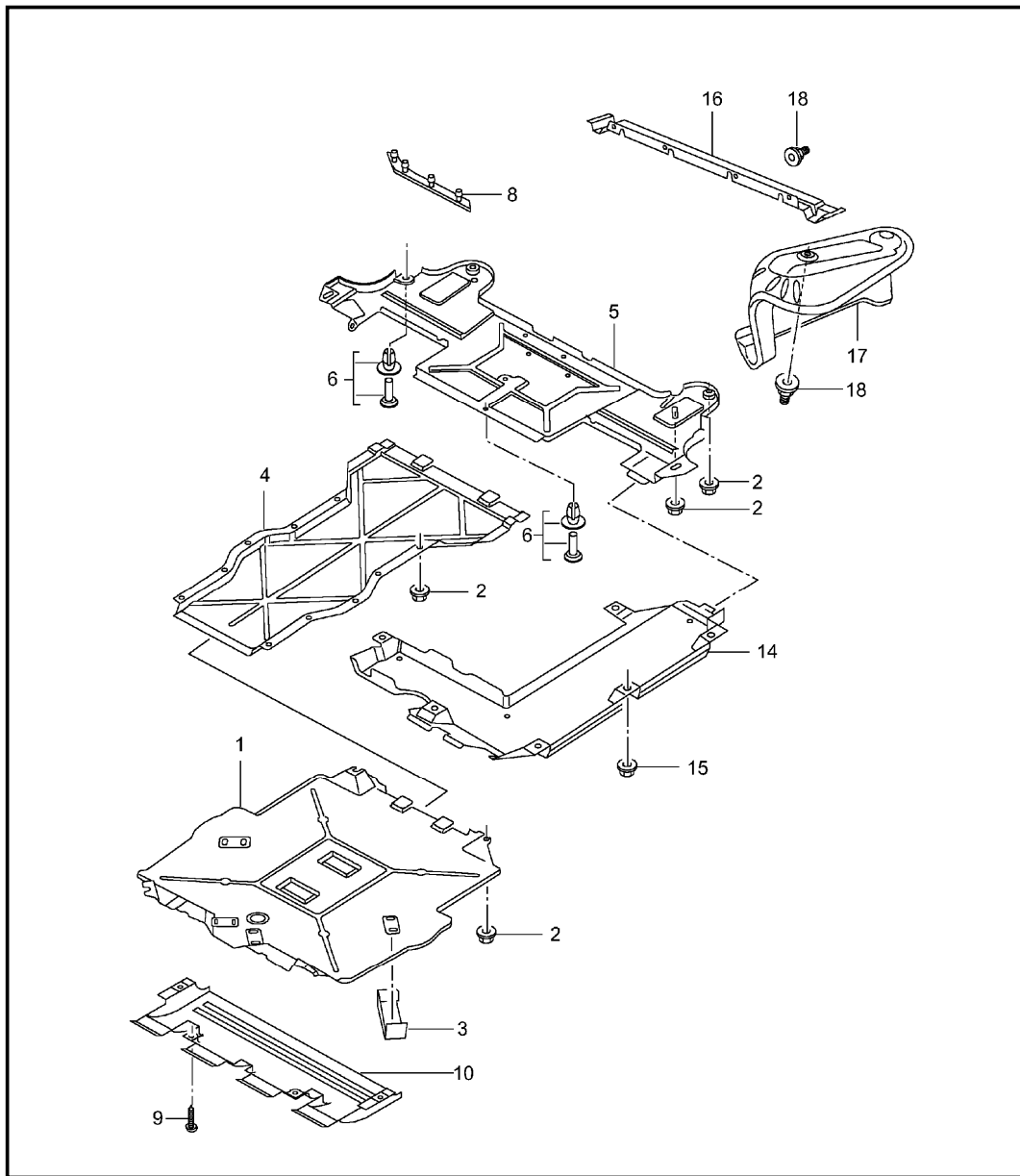


| Pos | Part Number | Description | Remark | Qty | Model |
|-----|----------------|---|--------|-----|--------|
| | | side section outer | 04- | | CABRIO |
| 1 | 996 503 961 10 | side section | /L | 1 | |
| | GRV | prime coated | | | |
| (1) | 996 503 962 10 | side section | /R | 1 | |
| | GRV | prime coated | | | |
| | | use also: | | | |
| - | 999 915 650 40 | adhesive TEROMIX 6700 | | X | |
| - | 000 043 300 48 | tool see technical manual group 5 53 55 55 | | X | |
| 2 | 996 503 963 03 | door sill | /L | 1 | |
| | GRV | prime coated | | | |
| (2) | 996 503 964 03 | door sill | /R | 1 | |
| | GRV | prime coated | | | |
| 3 | 996 502 665 04 | sealing channel | /L | 1 | |
| | GRV | prime coated | | | |
| (3) | 996 502 666 04 | sealing channel | /R | 1 | |
| | GRV | prime coated | | | |
| 4 | 996 502 461 01 | frame for light | /L | 1 | |
| | GRV | prime coated | | | |
| (4) | 996 502 462 01 | frame for light | /R | 1 | |
| | GRV | prime coated | | | |
| 5 | 996 502 213 01 | bracket | /L | 1 | |
| | GRV | prime coated | | | |
| (5) | 996 502 214 01 | bracket | /R | 1 | |
| | GRV | prime coated | | | |
| 6 | 996 504 631 02 | protective film | /L | 1 | |
| (6) | 996 504 632 02 | protective film | /R | 1 | |

| | | | | | | | | | | | |
|-------|------|----|----|--------------|--------------|-----|-------|------------|---------|-----|---------|
| Model | Year | MG | SG | Illustration | Restrictions | UPD | 19:58 | 24.01.2010 | PORSCHE | PET | PORSCHE |
| 996T | 2005 | 8 | 01 | 801-65 | | 248 | | | | | |

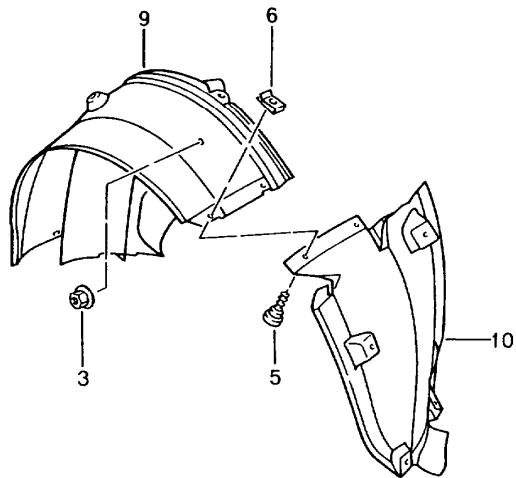
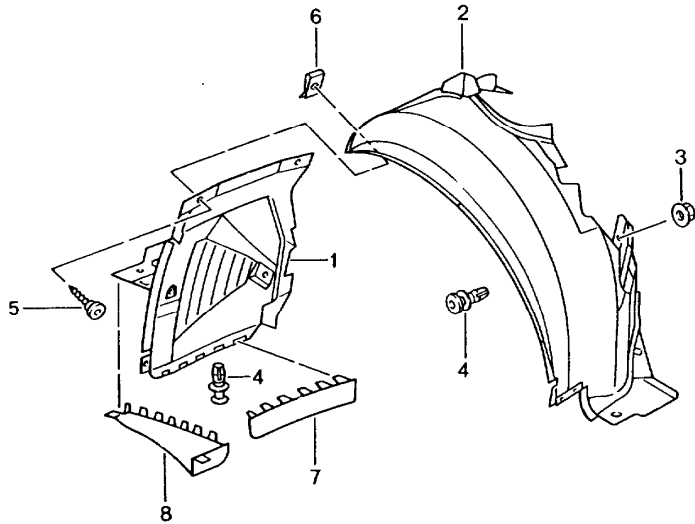
| Pos | Part Number | Description | Remark | Qty | Model | Pos | Part Number | Description | Remark | Qty | Model |
|------|----------------|--|--------|-----|-------|-----|-------------|-------------|--------|-----|-------|
| (7) | 996 504 907 01 | gasket | /L | 1 | | | | | | | |
| (7) | 996 504 908 01 | gasket | /R | 1 | | | | | | | |
| | | it is necessary to rework see workshop manual | | | | | | | | | |
| 8 | 996 537 237 00 | protective film | | 2 | | | | | | | |
| 10 | 996 572 311 00 | water protection | /L | 1 | | | | | | | |
| (10) | 996 572 312 00 | water protection | /R | 1 | | | | | | | |
| 11 | 999 703 475 40 | water drain sleeve door sill | | 2 | | | | | | | |
| 12 | 996 504 361 01 | air inlet | /L | 1 | | | | | | | |
| | G2X | prime coated | | | | | | | | | |
| (12) | 996 504 362 01 | air inlet | /R | 1 | | | | | | | |
| | G2X | prime coated | | | | | | | | | |
| 13 | 996 504 605 00 | retainer spring | | 8 | | | | | | | |
| 14 | 996 575 559 01 | air duct | /L | 1 | | | | | | | |
| (14) | 996 575 560 01 | air duct | /R | 1 | | | | | | | |
| 15 | 999 045 004 40 | hexagon nut M 6 | | 4 | | | | | | | |
| 16 | 996 504 607 01 | clamp | | 8 | | | | | | | |
| 17 | 999 073 080 02 | tapping screw ST 4,2 X 16 | | 8 | | | | | | | |
| 18 | 999 591 474 02 | speed nut ST 4,2 | | 8 | | | | | | | |
| 19 | 996 504 305 00 | support | | 2 | | | | | | | |
| | GRV | prime coated | | | | | | | | | |
| 20 | 999 076 066 09 | hexagon nut M 6 | | 2 | | | | | | | |

| | | | | | | | | | | | |
|-------|------|----|----|--------------|--------------|-----|-------|------------|---------|-----|---------|
| Model | Year | MG | SG | Illustration | Restrictions | UPD | 19:58 | 24.01.2010 | PORSCHE | PET | PORSCHE |
| 996T | 2005 | 8 | 01 | 801-70 | | 248 | | | | | |



| Pos | Part Number | Description | Remark | Qty | Model |
|------|----------------|-----------------------------|--------|-----|----------|
| (1) | 996 504 527 01 | linings for underbody cover | | 1 | |
| 2 | 999 049 022 40 | plastic nut T 5 | | 21 | |
| 3 | 999 507 657 09 | clamp | | 6 | |
| 4 | 996 504 043 02 | cover centre | | 1 | |
| 5 | 996 504 129 01 | cover | | 1 | M249 |
| 5 | 996 504 129 03 | cover | 05- | 1 | M092/249 |
| (5) | 996 504 029 00 | cover rear | | 1 | M480 |
| 6 | 999 507 497 40 | expansion rivet 8,0 X 14,0 | | 4 | |
| 8 | 996 504 893 00 | rubber lip | /L | 1 | |
| (8) | 996 504 894 00 | rubber lip | /R | 1 | |
| 9 | N 906 487 02 | tapping screw ST 4,8 X 16 | | 4 | |
| (10) | 996 575 961 00 | air duct | | 1 | IX50 |
| 10 | 996 575 161 01 | air duct | | 1 | |
| 14 | 996 504 561 00 | cover | | 1 | |
| 15 | 999 049 022 40 | plastic nut T5 | | 6 | |
| 16 | 996 505 471 00 | heat protection centre | | 1 | |
| - | 996 504 529 02 | air duct for transmission | | 1 | M480 |

| | | | | | | | | | | | |
|-------|------|----|----|--------------|--------------|-----|-------|------------|---------|-----|---------|
| Model | Year | MG | SG | Illustration | Restrictions | UPD | 19:58 | 24.01.2010 | PORSCHE | PET | PORSCHE |
| 996T | 2005 | 8 | 01 | 801-75 | | 248 | | | | | |

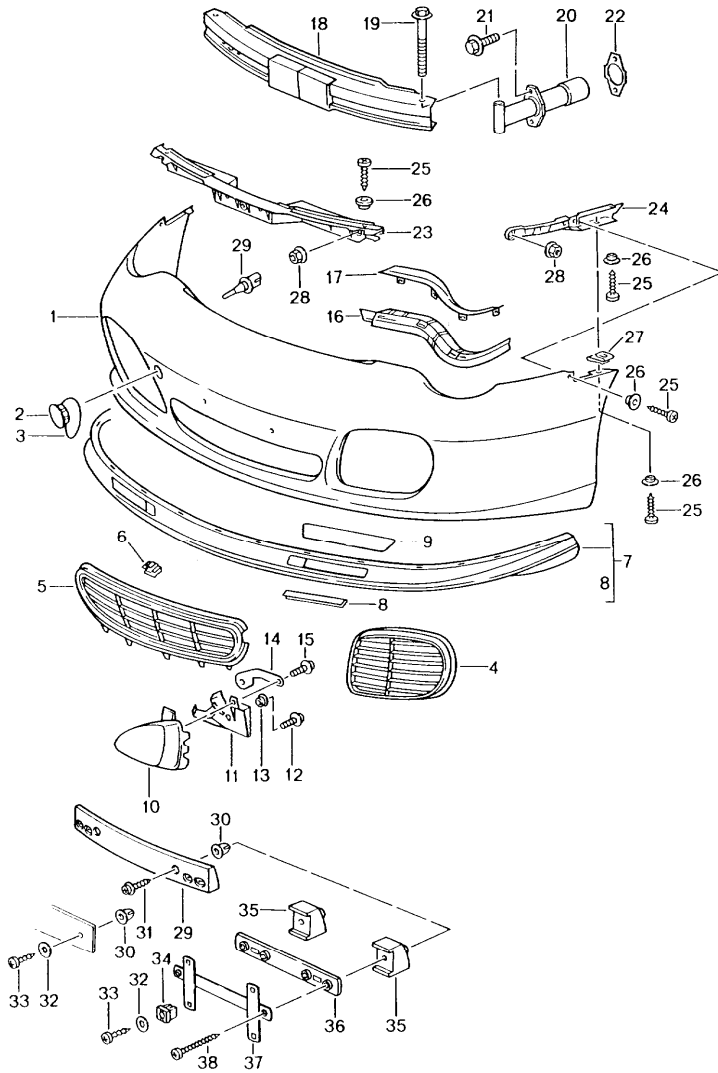


| Pos | Part Number | Description | Remark | Qty | Model |
|-----|------------------|---------------------------------|--------|-----|-------|
| | | linings for wheel housing | | | |
| 1 | 996 504 123 00 | wheel-housing liner | /L/V | 1 | TURBO |
| 1 | 996 504 123 90 | wheel-housing liner front | /L/V | 1 | GT2 |
| (1) | 996 504 124 00 | wheel-housing liner | /R/V | 1 | TURBO |
| (1) | 996 504 124 90 | wheel-housing liner front | /R/V | 1 | GT2 |
| 2 | A 996 504 203 05 | wheel-housing liner | /L/H | 1 | |
| 2 | 996 504 203 08 | wheel-housing liner front | /L/H | 1 | |
| (2) | A 996 504 204 05 | wheel-housing liner | /R/H | 1 | |
| (2) | 996 504 204 08 | wheel-housing liner front | /R/H | 1 | |
| 3 | 999 049 022 40 | plastic nut T5 | | X | |
| 4 | 999 507 497 40 | expansion rivet 8,0 X 14,0 | | X | |
| 5 | N 906 487 02 | tapping screw ST 4,8 X 16 | | X | |
| 6 | 999 507 668 02 | speed nut ST 4,8 | | X | |
| 7 | 996 504 503 02 | rubber lip | /L | 1 | TURBO |
| (7) | 996 504 504 02 | rubber lip | /R | 1 | TURBO |
| 8 | 996 504 603 01 | air duct | /L | 1 | TURBO |
| (8) | 996 504 604 01 | air duct | /R | 1 | TURBO |
| 9 | 996 504 573 01 | wheel-housing liner | /L/V | 1 | TURBO |
| 9 | 996 504 573 90 | wheel-housing liner rear | /L/V | 1 | GT2 |
| (9) | 996 504 574 01 | wheel-housing liner | /R/V | 1 | TURBO |
| (9) | 996 504 574 90 | wheel-housing liner rear | /R/V | 1 | GT2 |
| 10 | 996 504 623 02 | wheel-housing liner | /L/H | 1 | TURBO |
| 10 | 996 504 623 90 | wheel-housing liner | /L/H | 1 | GT2 |

| | | | | | | | | | | | |
|-------|------|----|----|--------------|--------------|-----|-------|------------|---------|-----|---------|
| Model | Year | MG | SG | Illustration | Restrictions | UPD | 19:58 | 24.01.2010 | PORSCHE | PET | PORSCHE |
| 996T | 2005 | 8 | 01 | 801-75 | | 248 | | | | | |

| Pos | Part Number | Description | Remark | Qty | Model | Pos | Part Number | Description | Remark | Qty | Model |
|------|----------------|--------------------------------|--------|-----|-------|-----|-------------|-------------|--------|-----|-------|
| (10) | 996 504 624 02 | wheel-housing liner | /R/H | 1 | TURBO | | | | | | |
| (10) | 996 504 624 90 | wheel-housing liner rear | /R/H | 1 | GT2 | | | | | | |
| - | 999 911 663 40 | sealing strap 10 X 10 X 180 | | 2 | | | | | | | |
| - | 999 911 695 40 | sealing strap 10 X 30 X 680 | | 2 | | | | | | | |
| - | 996 575 231 30 | air duct | /L/V | 1 | GT2 | | | | | | |
| - | 996 575 232 30 | air duct | /R/V | 1 | GT2 | | | | | | |
| - | 999 507 785 40 | cable holder | | 4 | | | | | | | |

| | | | | | | | | | | | |
|-------|------|----|----|--------------|--------------|-----|-------|------------|---------|-----|---------|
| Model | Year | MG | SG | Illustration | Restrictions | UPD | 19:58 | 24.01.2010 | PORSCHE | PET | PORSCHE |
| 996T | 2005 | 8 | 02 | 802-00 | | 248 | | | | | |

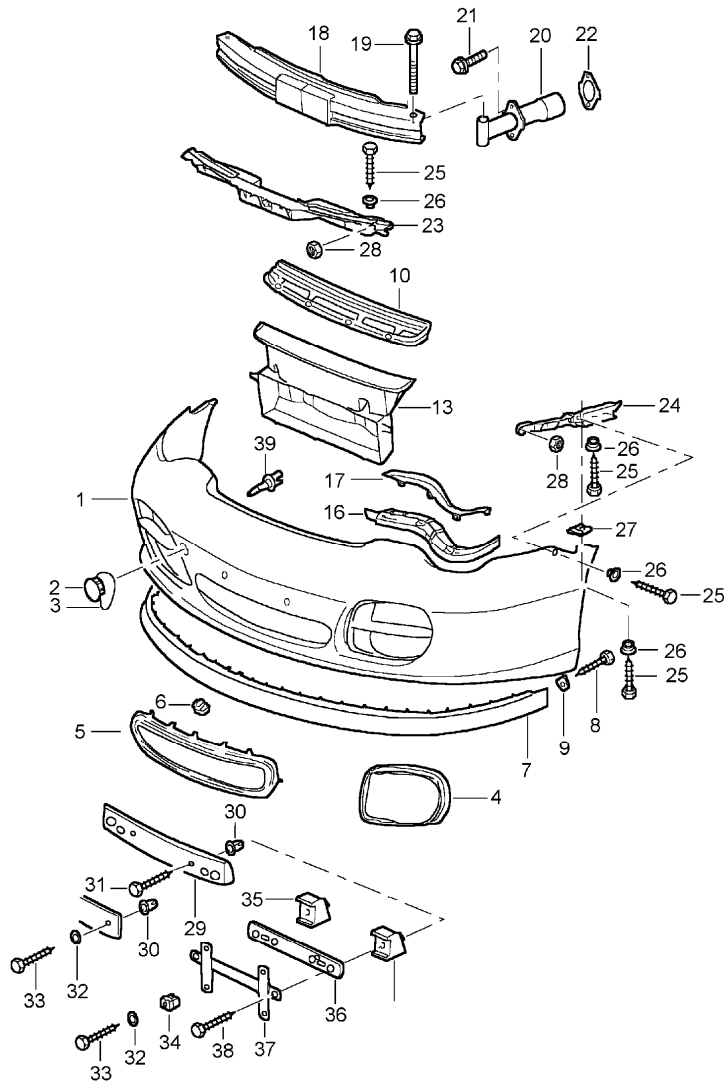


| Pos | Part Number | Description | Remark | Qty | Model |
|------|----------------|-------------------|--------|-----|-------|
| 1 | 996 505 311 05 | bumper front | | 1 | |
| | G2X | prime coated | | | |
| 2 | 964 505 103 00 | cap | | 1 | |
| | G2X | prime coated | | | |
| 3 | 999 651 225 40 | safety rope | | 1 | |
| 4 | 996 505 563 00 | air inlet | /L | 1 | |
| | 01C | satin black | | | |
| (4) | 996 505 564 00 | air inlet | /R | 1 | |
| | 01C | satin black | | | |
| (4) | 996 505 563 01 | air inlet | /L | 1 | M215 |
| | 01C | satin black | | | |
| (4) | 996 505 564 01 | air inlet | /R | 1 | M215 |
| | 01C | satin black | | | |
| 5 | 996 505 561 00 | air inlet | | 1 | |
| | 01C | satin black | | | |
| 6 | 999 507 751 02 | u-clamp | | X | |
| 7 | 996 505 355 00 | spoiler | | 1 | |
| | 01C | satin black | | | |
| 8 | 996 505 755 00 | reinforcement | | 2 | |
| 9 | 996 504 627 00 | protective film | | 2 | |
| 10 | 996 505 527 00 | buffer | /L | 1 | M215 |
| | 70C | rally black | | | |
| (10) | 996 505 528 00 | buffer | /R | 1 | M215 |
| | 70C | rally black | | | |
| 11 | 996 505 533 00 | mounting | /L | 1 | M215 |
| (11) | 996 505 534 00 | mounting | /R | 1 | M215 |
| 12 | 900 378 158 09 | hexagon-head bolt | | 2 | M215 |
| | | M 6 X 16 | | | |

| | | | | | | | | | | | |
|-------|------|----|----|--------------|--------------|-----|-------|------------|---------|-----|---------|
| Model | Year | MG | SG | Illustration | Restrictions | UPD | 19:58 | 24.01.2010 | PORSCHE | PET | PORSCHE |
| 996T | 2005 | 8 | 02 | 802-00 | | 248 | | | | | |

| Pos | Part Number | Description | Remark | Qty | Model | Pos | Part Number | Description | Remark | Qty | Model |
|------|----------------|---------------------------------|--------|-----|-------|------|----------------|------------------------------|--------|-----|-------|
| 13 | 999 209 044 09 | spacer | | 2 | M215 | 30 | 999 507 040 40 | expander nut 4,2 | | X | |
| 14 | 996 505 523 00 | desk pad | /L | 1 | M215 | 31 | 999 073 080 02 | tapping screw | | X | |
| (14) | 996 505 524 00 | desk pad | /R | 1 | M215 | 32 | 900 025 024 40 | washer | | X | |
| 15 | 900 067 148 02 | pan-head screw M 5 X 25 | | 2 | M215 | 33 | 900 143 134 00 | tapping screw B 4,2 X 9,5 | | X | |
| 16 | 996 505 539 03 | bracket | /L | 1 | | 35 | 996 701 801 00 | spacer | /L | 1 | |
| (16) | 996 505 540 03 | bracket | /R | 1 | | (35) | 996 701 802 00 | spacer | /R | 1 | |
| 17 | 996 505 741 02 | cover | /L | 1 | | 36 | 911 701 121 03 | support | | 1 | M210 |
| | 01C | satin black | | | | 38 | 900 144 182 09 | tapping screw B 4,2 X 32 | | 2 | |
| (17) | 996 505 742 02 | cover | /R | 1 | | | | | | | |
| | 01C | satin black | | | | | | | | | |
| 18 | 996 505 011 02 | bumper reinforcement | | 1 | | | | | | | |
| (18) | 996 505 011 03 | bumper reinforcement | | 1 | M215 | | | | | | |
| 19 | 900 378 088 09 | hexagon-head bolt M 12 X 100 | | 2 | | | | | | | |
| (20) | 996 505 019 01 | impact pipe | | 2 | | | | | | | |
| 20 | 996 505 015 00 | impact absorber | | 2 | M058 | | | | | | |
| 21 | 900 075 457 02 | combination screw M 8 X 30 | | 4 | | | | | | | |
| 22 | 996 505 775 00 | desk pad | | 2 | | | | | | | |
| 23 | 996 505 531 01 | retaining strip | | 1 | | | | | | | |
| 24 | 996 505 535 03 | retaining strip | /L | 1 | | | | | | | |
| (24) | 996 505 536 03 | retaining strip | /R | 1 | | | | | | | |
| 25 | 900 144 101 02 | tapping screw ST 4,8 X 19 | | 9 | | | | | | | |
| 26 | 999 209 045 09 | spacer | | 9 | | | | | | | |
| 27 | 999 507 072 02 | speed nut ST 4,8 | | X | | | | | | | |
| 28 | 999 076 048 02 | hexagon nut M 6 | | 11 | | | | | | | |
| 29 | 996 701 105 00 | support | | 1 | M211 | | | | | | |

| | | | | | | | | | | | |
|-------|------|----|----|--------------|--------------|-----|-------|------------|---------|-----|---------|
| Model | Year | MG | SG | Illustration | Restrictions | UPD | 19:59 | 24.01.2010 | PORSCHE | PET | PORSCHE |
| 996T | 2005 | 8 | 02 | 802-02 | | 248 | | | | | |

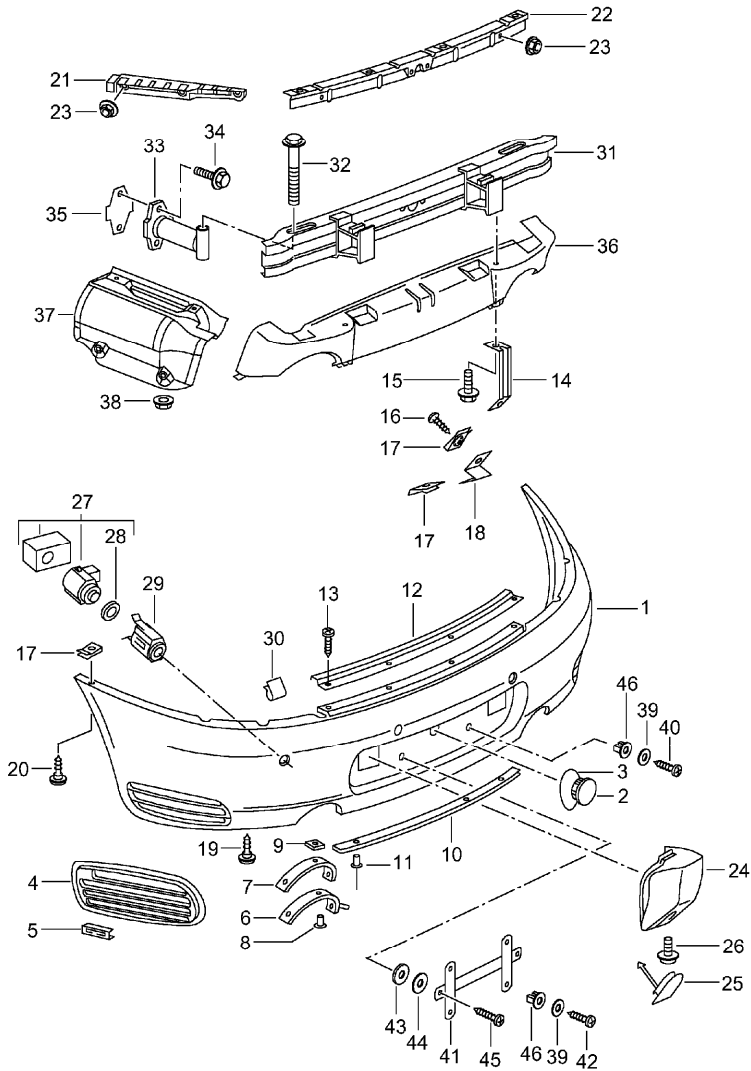


| Pos | Part Number | Description | Remark | Qty | Model |
|------|------------------|---------------------------|--------|-----|-------|
| 1 | A 996 505 311 30 | bumper front | | 1 | GT2 |
| | | lining | | | |
| | | G2X prime coated | | | |
| - | 999 507 258 02 | speed nut | | 25 | |
| - | 900 623 012 07 | screw M 5 X 16 | | 6 | |
| - | 999 084 120 02 | hexagon nut M 5 | | 6 | |
| 2 | 964 505 103 00 | cap | | 1 | |
| | | G2X prime coated | | | |
| 3 | 999 651 225 40 | safety rope | | 1 | |
| 4 | 996 505 563 30 | air inlet | /L | 1 | |
| | | 01C satin black | | | |
| (4) | 996 505 564 30 | air inlet | /R | 1 | |
| | | 01C satin black | | | |
| 5 | 996 505 561 30 | air inlet | | 1 | |
| | | 01C satin black | | | |
| 6 | 999 507 751 02 | u-clamp | | X | |
| 7 | 996 505 555 30 | spoiler | | 1 | |
| | | 01C satin black | | | |
| 8 | 900 144 101 02 | tapping screw ST 4,8 X 19 | | 2 | |
| 9 | 999 507 072 02 | speed nut ST 4,8 | | 2 | |
| 10 | K 996 575 326 30 | frame | -03 | 1 | |
| 10 | 996 575 326 31 | frame carbon | 04- | 1 | |
| 13 | 996 575 325 30 | air duct | | 1 | |
| 16 | 996 505 539 03 | bracket | /L | 1 | |
| (16) | 996 505 540 03 | bracket | /R | 1 | |
| 17 | 996 505 741 30 | cover | /L | 1 | |

| | | | | | | | | | | | |
|-------|------|----|----|--------------|--------------|-----|-------|------------|---------|-----|---------|
| Model | Year | MG | SG | Illustration | Restrictions | UPD | 19:59 | 24.01.2010 | PORSCHE | PET | PORSCHE |
| 996T | 2005 | 8 | 02 | 802-02 | | 248 | | | | | |

| Pos | Part Number | Description | Remark | Qty | Model | Pos | Part Number | Description | Remark | Qty | Model |
|------|----------------|---|--------|-----|-------|-----|----------------|-----------------------------|--------|-----|-------|
| | 01C | satin black | | | | 36 | 911 701 121 03 | support | | 1 | M210 |
| (17) | 996 505 742 30 | cover | /R | 1 | | 38 | 900 144 182 09 | tapping screw B 4,2 X 32 | | 2 | |
| | 01C | satin black | | | | 39 | 996 641 142 00 | temperature sensor | | 1 | |
| 18 | 996 505 011 02 | bumper reinforcement | | 1 | | | | | | | |
| (18) | 996 505 011 03 | bumper reinforcement | | 1 | M215 | | | | | | |
| 19 | 900 378 088 09 | hexagon-head bolt M 12 X 100 | | 2 | | | | | | | |
| (20) | 996 505 019 01 | impact pipe | | 2 | | | | | | | |
| 20 | 996 505 015 00 | impact absorber | | 2 | M058 | | | | | | |
| 21 | 900 075 479 09 | combination screw M 8 X 40 | | 4 | | | | | | | |
| (22) | 996 505 773 32 | spacer plate impact absorber with desk pad | | 2 | | | | | | | |
| 23 | 996 505 531 30 | retaining strip | | 1 | | | | | | | |
| 24 | 996 505 535 03 | retaining strip | /L | 1 | | | | | | | |
| (24) | 996 505 536 03 | retaining strip | /R | 1 | | | | | | | |
| 25 | 900 144 101 02 | tapping screw ST 4,8 X 19 | | 9 | | | | | | | |
| 26 | 999 209 045 09 | spacer | | 9 | | | | | | | |
| 27 | 999 507 072 02 | speed nut ST 4,8 | | X | | | | | | | |
| 28 | 999 076 048 02 | hexagon nut M 6 | | 11 | | | | | | | |
| 29 | 996 701 105 30 | support | | 1 | M211 | | | | | | |
| 30 | 999 507 040 40 | expander nut 4,2 | | X | | | | | | | |
| 31 | 999 073 080 02 | tapping screw | | X | | | | | | | |
| 32 | 900 025 024 40 | washer | | X | | | | | | | |
| 33 | 900 143 134 00 | tapping screw B 4,2 X 9,5 | | X | | | | | | | |
| 35 | 996 701 801 00 | spacer | /L | 1 | | | | | | | |
| (35) | 996 701 802 00 | spacer | /R | 1 | | | | | | | |

| | | | | | | | | | | | |
|-------|------|----|----|--------------|--------------|-----|-------|------------|---------|-----|---------|
| Model | Year | MG | SG | Illustration | Restrictions | UPD | 19:59 | 24.01.2010 | PORSCHE | PET | PORSCHE |
| 996T | 2005 | 8 | 02 | 802-05 | | 248 | | | | | |

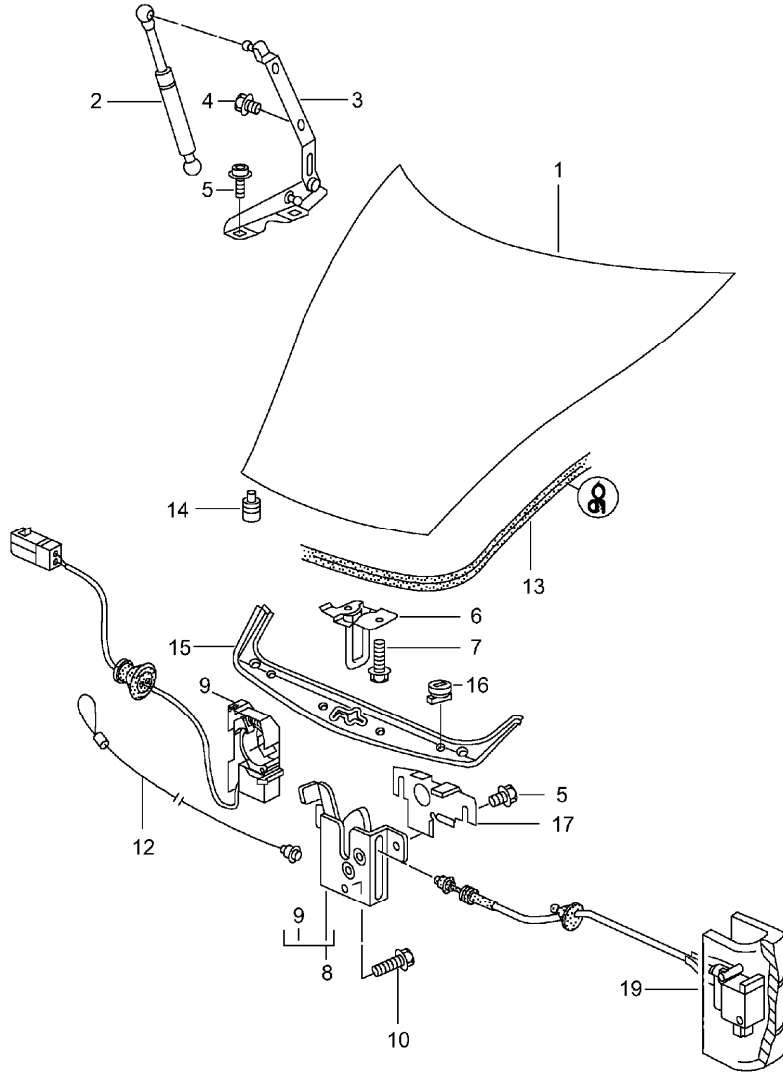


| Pos | Part Number | Description | Remark | Qty | Model |
|-----|----------------|----------------------------|--------|-----|-------|
| 1 | 996 505 411 16 | bumper rear | | 1 | |
| | G2X | prime coated | | | |
| (1) | 996 505 911 00 | lining | | 1 | M635 |
| | G2X | prime coated | | | |
| 2 | 964 505 103 00 | cap | | 1 | |
| | G2X | prime coated | | | |
| 3 | 999 651 225 40 | safety rope | | 1 | |
| 4 | 996 505 663 00 | ventilation grille | /L | 1 | |
| | 01C | satin black | | | |
| (4) | 996 505 664 00 | ventilation grille | /R | 1 | |
| | 01C | satin black | | | |
| 5 | 999 507 696 00 | u-clamp | | 24 | |
| 6 | 996 505 611 02 | cover | /L | 1 | |
| (6) | 996 505 612 02 | cover | /R | 1 | |
| 7 | 996 505 621 00 | heat shield | /L | 1 | |
| (7) | 996 505 622 00 | heat shield | /R | 1 | |
| 8 | 900 056 001 30 | rivet 4 X 12 | | 4 | |
| 9 | 999 166 051 08 | clamping washer 4,0 | | 6 | |
| 10 | 996 505 837 03 | retaining strip | | 1 | |
| 11 | 999 190 104 30 | blind rivet A 3,2 X 7,9 | | 4 | |
| 12 | 996 505 833 02 | rail | | 1 | |
| 13 | 900 144 101 02 | tapping screw ST 4,8 X 19 | | 4 | |
| 14 | 996 505 639 03 | rear support | | 2 | |
| 15 | 999 075 056 09 | combination screw M 6 X 22 | | 2 | |

| | | | | | | | | | | | |
|-------|------|----|----|--------------|--------------|-----|-------|------------|---------|-----|---------|
| Model | Year | MG | SG | Illustration | Restrictions | UPD | 19:59 | 24.01.2010 | PORSCHE | PET | PORSCHE |
| 996T | 2005 | 8 | 02 | 802-05 | | 248 | | | | | |

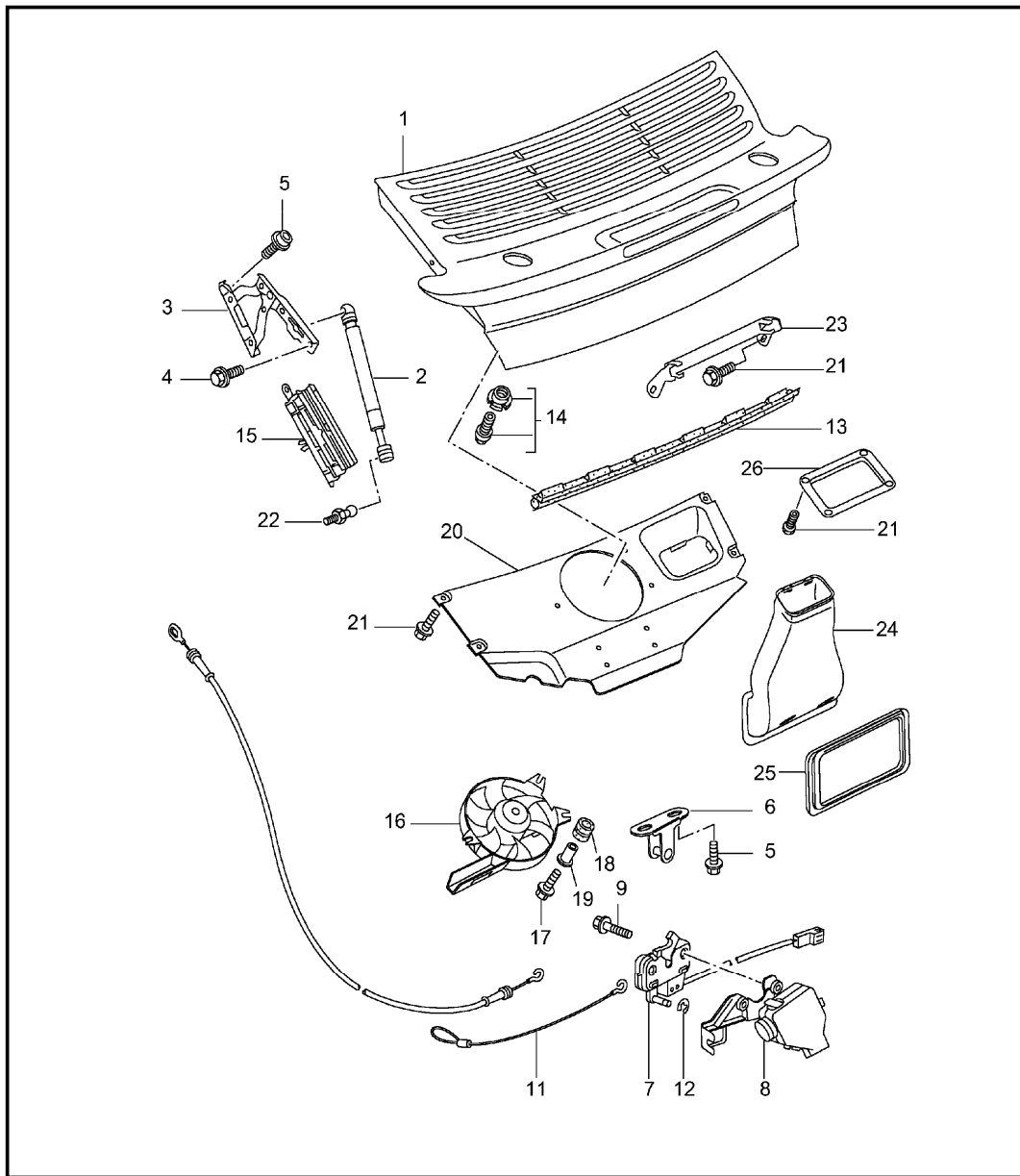
| Pos | Part Number | Description | Remark | Qty | Model | Pos | Part Number | Description | Remark | Qty | Model |
|------|----------------|------------------------------|--------|-----|-------|--------|------------------|---------------------------------|--------|-----|-------|
| 16 | N 906 487 02 | tapping screw ST 4,8 X 16 | | 2 | | 32 | 900 378 088 09 | hexagon-head bolt M 12 X 100 | | 2 | |
| 17 | 999 507 072 02 | speed nut ST 4,8 | | X | | 33 | 996 505 019 01 | impact pipe | | 2 | |
| 18 | 996 505 649 00 | bracket | | 2 | | (33) | 996 505 015 00 | impact absorber | | 2 | M058 |
| 19 | 999 073 062 02 | tapping screw ST 4,8 X 19 | | 2 | | 34 | 900 075 457 02 | hexagon-head bolt M 8 X 30 | | 4 | |
| 20 | 999 073 227 09 | tapping screw ST 4,8 X 19 | | 6 | | 35 | 993 505 775 00 | seal | | 2 | |
| 21 | 996 505 635 00 | retaining strip | /L | 1 | | 36 | 996 505 475 05 | heat protection | | 1 | |
| (21) | 996 505 636 00 | retaining strip | /R | 1 | | 37 | A 996 505 477 02 | heat protection | /L -02 | 1 | |
| 22 | 996 505 831 00 | retaining strip centre | | 1 | | 37 | 996 505 477 03 | heat protection | /L | 1 | |
| 23 | 999 076 048 02 | hexagon nut M 6 | | 9 | | (37) A | 996 505 478 02 | heat protection | /R -02 | 1 | |
| 24 | 996 505 425 01 | buffer | /L | 1 | M215 | (37) | 996 505 478 03 | heat protection | /R | 1 | |
| | 70C | rally black | | | | 38 | 999 049 025 09 | collar nut | | 12 | |
| (24) | 996 505 426 01 | buffer | /R | 1 | M215 | 39 | 900 025 024 40 | washer | | X | |
| | 70C | rally black | | | | 40 | 999 073 080 02 | tapping screw ST 4,2 X 16 | | X | |
| 25 | 996 505 403 00 | lid | | 2 | M215 | 43 | 999 025 235 40 | rubber washer | | X | |
| | 70C | rally black | | | | 46 | 999 507 040 40 | expander nut ST 4,2 | | X | |
| 26 | 900 067 271 09 | combination screw | | 2 | M215 | | | | | | |
| 27 | 000 043 204 56 | sensor | | 4 | M635 | | | | | | |
| 28 | 996 606 473 00 | ring | | 4 | M635 | | | | | | |
| 29 | 996 505 885 00 | housing | | 2 | M635 | | | | | | |
| | G2X | prime coated inner | | | | | | | | | |
| (29) | 996 505 887 00 | housing | | 2 | M635 | | | | | | |
| | G2X | prime coated outer | | | | | | | | | |
| 30 | 999 507 623 40 | cable holder | | 4 | | | | | | | |
| 31 | 996 505 021 02 | bumper reinforcement | | 1 | | | | | | | |
| (31) | 996 505 021 03 | bumper reinforcement | | 1 | M215 | | | | | | |

| | | | | | | | | | | | |
|-------|------|----|----|--------------|--------------|-----|-------|------------|---------|-----|---------|
| Model | Year | MG | SG | Illustration | Restrictions | UPD | 19:59 | 24.01.2010 | PORSCHE | PET | PORSCHE |
| 996T | 2005 | 8 | 03 | 803-00 | | 248 | | | | | |



| Pos | Part Number | Description | Remark | Qty | Model |
|-----|----------------|-------------------------------|--------|-----|-------|
| 1 | 996 511 011 02 | lid front | | 1 | |
| | GRV | prime coated | | | |
| | | use also: | | | |
| - | 000 043 204 38 | sealing material | | 1 | |
| 2 | 996 511 551 01 | gas-pressure spring | | 2 | |
| 3 | 996 511 151 01 | hinge | /L | 1 | |
| (3) | 996 511 152 01 | hinge | /R | 1 | |
| 4 | 900 378 036 09 | hexagon-head bolt M 6 X 12 | | 4 | |
| 5 | 900 075 466 09 | combination screw M 6 X 16 | | 6 | |
| 6 | 996 511 051 02 | lock upper part | | 1 | |
| 7 | 900 378 173 09 | hexagon-head bolt M 6 X 20 | | 2 | |
| 8 | 996 511 053 02 | lock lower part | | 1 | |
| 9 | 996 613 206 00 | microswitch | | 1 | |
| 10 | 900 075 466 09 | combination screw M 6 X 16 | | 1 | |
| 12 | 996 511 521 00 | emergency operation | | 1 | |
| 13 | 996 511 611 00 | gasket | | 1 | |
| 14 | 999 703 140 40 | buffer | | 2 | |
| 15 | 996 504 811 02 | trim cover | | 1 | |
| | 01C | satin black | | | |
| 16 | 999 590 036 40 | catch | | 4 | |
| | 01C | satin black | | | |
| 17 | 996 511 653 00 | cover | | 1 | |
| 19 | 996 511 127 00 | actuator | | 1 | |

| | | | | | | | | | | | |
|-------|------|----|----|--------------|--------------|-----|-------|------------|---------|-----|---------|
| Model | Year | MG | SG | Illustration | Restrictions | UPD | 19:59 | 24.01.2010 | PORSCHE | PET | PORSCHE |
| 996T | 2005 | 8 | 03 | 803-05 | | 248 | | | | | |

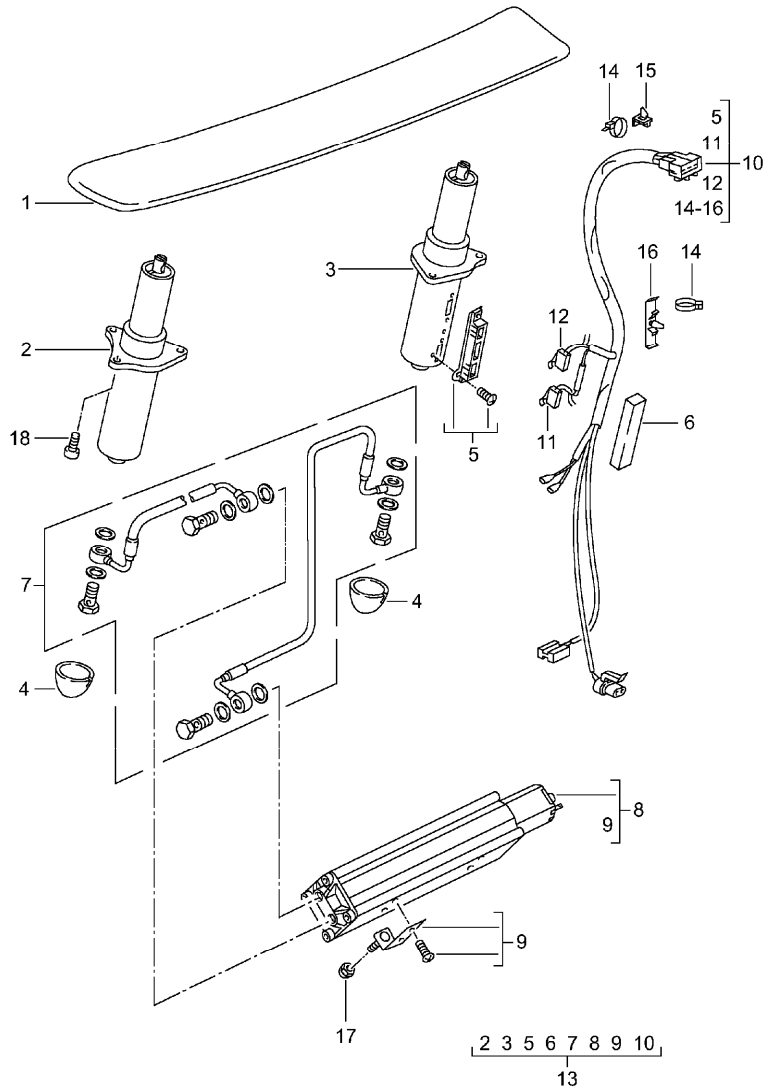


| Pos | Part Number | Description | Remark | Qty | Model |
|------|----------------|----------------------------|--------|-----|--------|
| | | lid rear | | | |
| 1 | 996 512 921 00 | lid prime coated | | 1 | |
| 2 | 996 512 551 03 | gas-pressure spring | | 2 | |
| 3 | 996 512 151 02 | hinge | /L | 1 | |
| (3) | 996 512 152 01 | hinge | /R | 1 | |
| 4 | 900 378 155 09 | hexagon-head bolt M 6 X 16 | | 4 | |
| 5 | 900 075 466 09 | combination screw M 6 X 16 | | 6 | |
| 6 | 996 512 213 00 | lock upper part | | 1 | |
| 7 | 996 512 053 03 | lock lower part | | 1 | |
| (8) | 996 512 055 00 | actuator | | 1 | |
| 9 | 900 378 168 09 | hexagon-head bolt M 6 X 30 | | 2 | |
| 11 | 996 512 521 00 | emergency operation | | 1 | |
| 12 | 900 116 002 02 | lock washer \$ 3,2 | | 1 | |
| 13 | 996 512 611 00 | gasket lower | | 1 | |
| (13) | 996 512 711 00 | gasket upper | | 1 | CABRIO |
| - | 000 043 157 00 | cleaning agent 30 ML | | X | |
| 14 | 996 512 987 00 | buffer | | 2 | |
| 15 | 996 610 230 00 | cable holder | | 1 | |
| 16 | 996 624 036 04 | blower | | 1 | |
| 17 | 900 378 030 09 | hexagon-head bolt M 6 X 20 | | 3 | |
| 18 | 999 703 451 40 | rubber sleeve | | 3 | |
| 19 | 999 209 049 02 | spacer sleeve | | 3 | |
| 20 | 996 512 543 00 | bracket | | 1 | |
| (20) | 996 512 543 30 | bracket | | 1 | GT2 |

| | | | | | | | | | | | |
|-------|------|----|----|--------------|--------------|-----|-------|------------|---------|-----|---------|
| Model | Year | MG | SG | Illustration | Restrictions | UPD | 19:59 | 24.01.2010 | PORSCHE | PET | PORSCHE |
| 996T | 2005 | 8 | 03 | 803-05 | | 248 | | | | | |

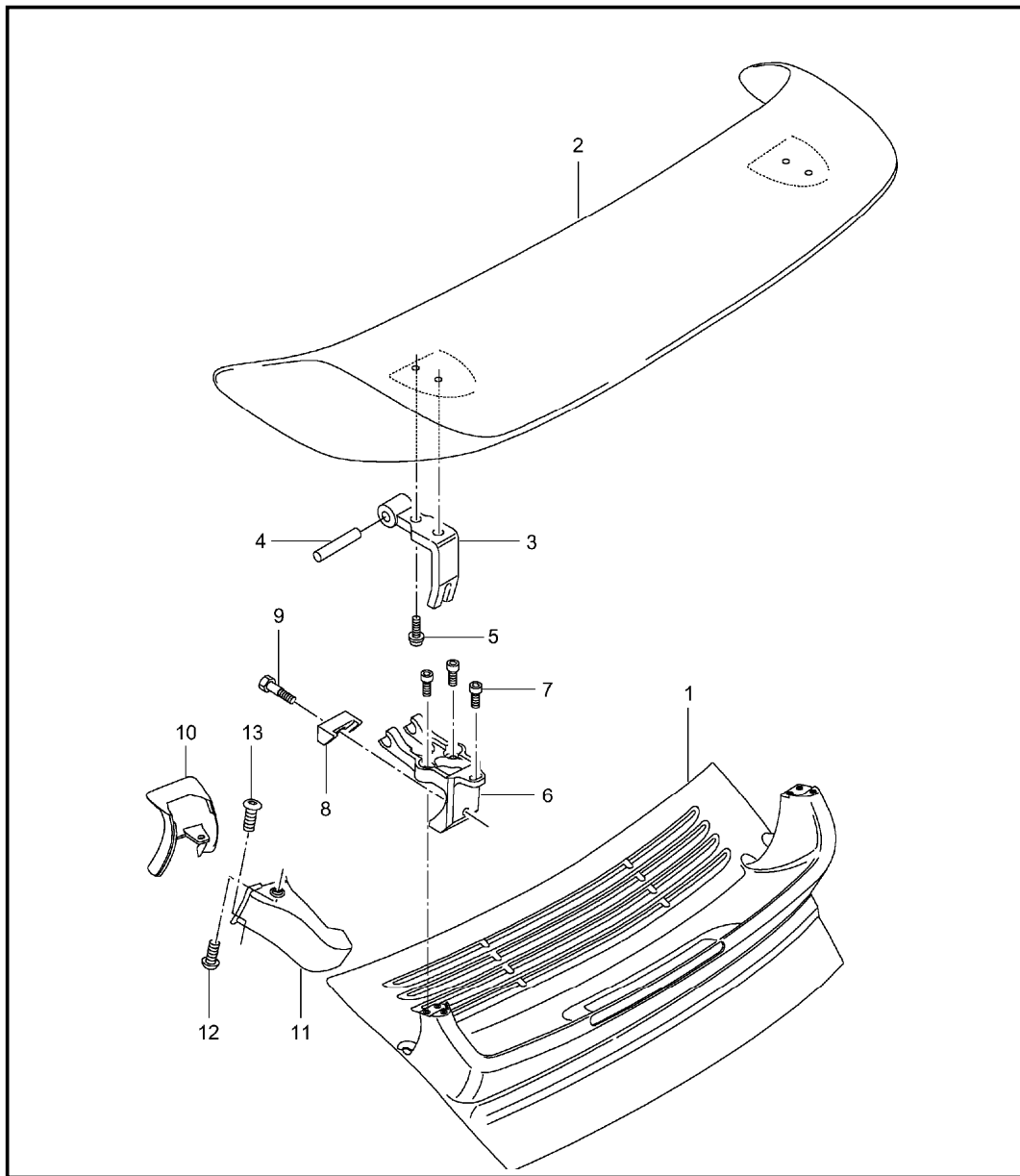
| Pos | Part Number | Description | Remark | Qty | Model | Pos | Part Number | Description | Remark | Qty | Model |
|-----|----------------|--------------------------------|--------|-----|-------|-----|-------------|-------------|--------|-----|-------|
| 21 | 900 378 214 07 | hexagon-head bolt M 6 X 18 | | X | | | | | | | |
| 22 | 999 167 042 02 | ball pin | | 1 | | | | | | | |
| 23 | 996 512 615 00 | support | | 1 | | | | | | | |
| 24 | 996 110 141 71 | intake manifold air cleaner | | 1 | | | | | | | |
| 25 | 996 110 143 70 | gasket | | 1 | | | | | | | |
| 26 | 996 512 334 00 | intake manifold air cleaner | | 1 | GT2 | | | | | | |

| | | | | | | | | | | | |
|-------|------|----|----|--------------|--------------|-----|-------|------------|---------|-----|---------|
| Model | Year | MG | SG | Illustration | Restrictions | UPD | 19:59 | 24.01.2010 | PORSCHE | PET | PORSCHE |
| 996T | 2005 | 8 | 03 | 803-07 | | 248 | | | | | |



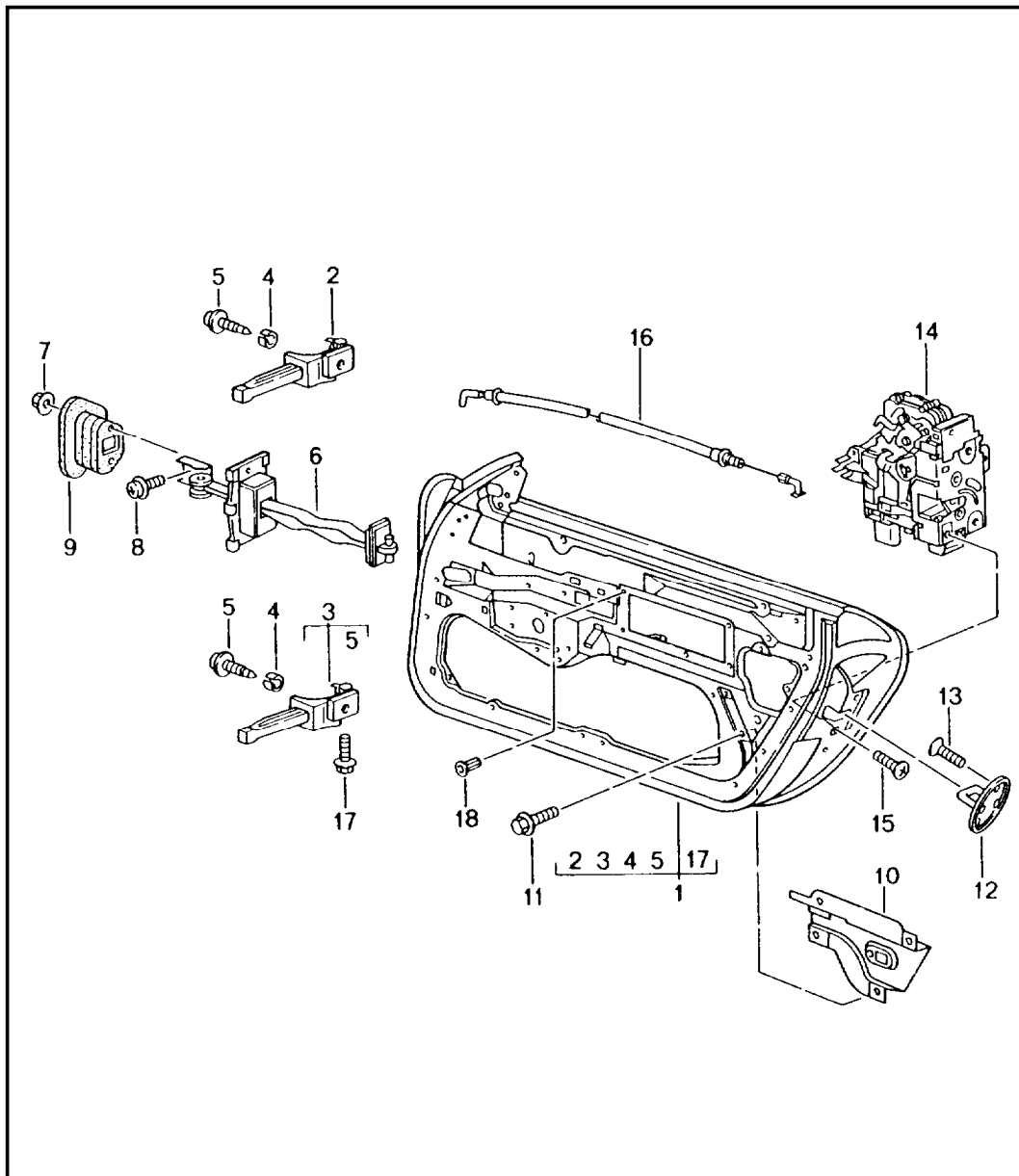
| Pos | Part Number | Description | Remark | Qty | Model |
|-----|----------------|--------------------------------------|--------|-----|-------|
| | | rear spoiler | | | |
| 1 | 996 512 961 00 | spoiler | | 1 | |
| 2 | 996 512 951 01 | hinge order also: POS. 7 | /L | 1 | |
| 3 | 996 512 952 01 | hinge order also: POS. 7 | /R | 1 | |
| 4 | 996 512 617 00 | cap | | 2 | |
| 5 | 996 512 918 00 | support | | 1 | |
| 6 | 996 613 248 00 | cap | | 1 | |
| 7 | 996 512 916 00 | lines | | 1 | |
| 8 | 996 512 943 01 | pump order also: POS. 7 | | 1 | |
| 9 | 996 512 917 00 | support | | 1 | |
| 10 | 996 612 070 20 | wiring harness | | 1 | |
| 11 | 996 613 167 00 | microswitch order also: POS. 5 | | 1 | |
| 12 | 996 613 171 00 | microswitch order also: POS. 5 | | 1 | |
| 13 | 996 512 241 01 | driving mechanism | | 1 | |
| 17 | 999 084 454 07 | cap nut M 6 | | 4 | |
| 18 | 900 067 273 09 | combination screw M 6 X 16 | | 6 | |

| | | | | | | | | | | | |
|-------|------|----|----|--------------|--------------|-----|-------|------------|---------|-----|---------|
| Model | Year | MG | SG | Illustration | Restrictions | UPD | 20:00 | 24.01.2010 | PORSCHE | PET | PORSCHE |
| 996T | 2005 | 8 | 03 | 803-08 | | 248 | | | | | |



| Pos | Part Number | Description | Remark | Qty | Model |
|------|------------------|---------------------------|--------|-----|-------|
| | | rear spoiler | | | GT2 |
| 1 | 996 512 221 30 | lid | | 1 | |
| | G2X | prime coated | | | |
| 2 | 996 512 261 30 | spoiler | -03 | 1 | |
| | G2X | prime coated | | | |
| (2) | 996 512 261 31 | spoiler carbon | 04- | 1 | |
| 3 | 996 512 262 00 | hinge | | 2 | |
| 4 | 996 512 263 00 | bolt | | 2 | |
| 5 | 999 510 021 02 | pan-head screw M6X22 | | 4 | |
| 6 | 996 512 222 00 | hinge | | 2 | |
| 7 | K 900 119 026 02 | pan-head screw M 6 X 16 | | 2 | |
| 8 | 996 512 226 00 | clamping piece | | 2 | |
| 9 | 996 512 225 00 | bolt | | 2 | |
| 10 | 996 512 321 01 | air box | /L | 1 | |
| | G2X | prime coated | | | |
| (10) | 996 512 322 01 | air box | /R | 1 | |
| | G2X | prime coated | | | |
| 11 | 996 512 331 00 | air duct | /L | 1 | |
| (11) | 996 512 332 00 | air duct | /R | 1 | |
| 12 | K 999 015 026 A2 | round head screw M 6 X 16 | | 2 | |
| 13 | 999 015 026 A2 | round head screw M 6 X 16 | | 2 | |
| 14 | K 900 119 014 02 | pan-head screw M 6 X 20 | | 4 | |

| | | | | | | | | | | | |
|-------|------|----|----|--------------|--------------|-----|-------|------------|---------|-----|---------|
| Model | Year | MG | SG | Illustration | Restrictions | UPD | 20:00 | 24.01.2010 | PORSCHE | PET | PORSCHE |
| 996T | 2005 | 8 | 04 | 804-00 | | 248 | | | | | |

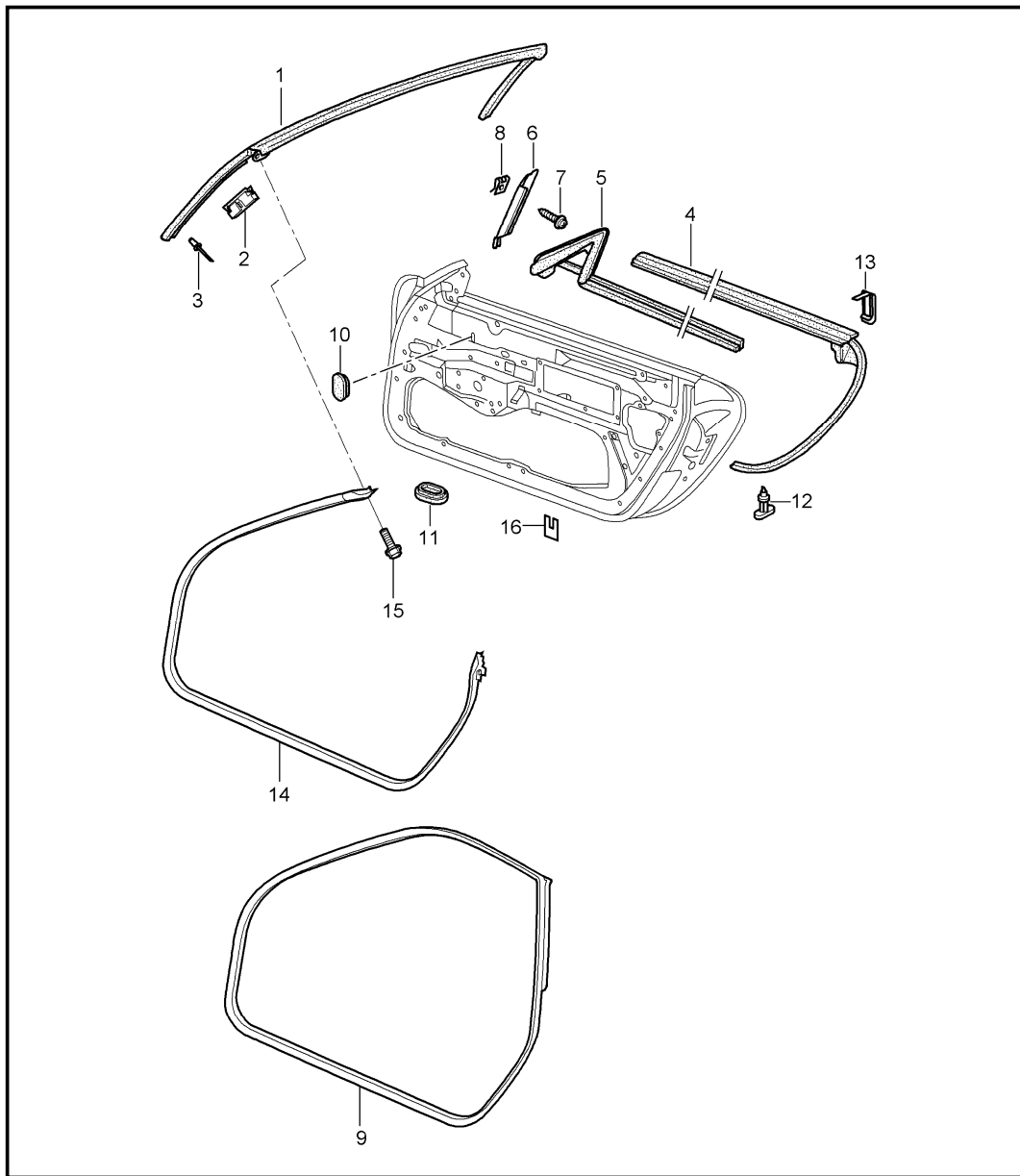


| Pos | Part Number | Description | Remark | Qty | Model |
|-----|------------------|---|--------|-----|-------|
| (1) | A 996 531 011 04 | door in white installation parts door lock | | 1 | |
| | GRV | prime coated use also: POS.17 see technical information group 5 4/00 | /L | | |
| (1) | 996 531 011 05 | door in white | /L | 1 | |
| | GRV | prime coated use also: POS.17 see technical information group 5 4/00 | | | |
| 1 | A 996 531 012 04 | door in white | /R | 1 | |
| | GRV | prime coated use also: POS.17 see technical information group 5 4/00 | | | |
| 1 | 996 531 012 05 | door in white | /R | 1 | |
| | GRV | prime coated use also: POS.17 see technical information group 5 4/00 | | | |
| - | 000 043 204 38 | sealing material | | 1 | |
| (2) | 996 531 321 04 | hinge | /L | 1 | |
| 2 | 996 531 322 04 | hinge | /R | 1 | |
| (3) | 996 531 319 03 | hinge | /L | 1 | |
| 3 | 996 531 320 03 | hinge | /R | 1 | |
| 4 | 996 531 831 00 | sleeve | | 4 | |
| 5 | 999 073 192 02 | pan-head screw M 8 X 33 | | 2 | |
| 6 | 996 537 151 02 | door arrester | | 2 | |

| | | | | | | | | | | | |
|-------|------|----|----|--------------|--------------|-----|-------|------------|---------|-----|---------|
| Model | Year | MG | SG | Illustration | Restrictions | UPD | 20:00 | 24.01.2010 | PORSCHE | PET | PORSCHE |
| 996T | 2005 | 8 | 04 | 804-00 | | 248 | | | | | |

| Pos | Part Number | Description | Remark | Qty | Model | Pos | Part Number | Description | Remark | Qty | Model |
|--------|----------------|--|--------|-----|----------|-----|----------------|---------------|--------|-----|-------|
| 7 | 999 084 212 02 | nut M 6 | | 4 | | | | M 6/0,5 - 3 | | | |
| 8 | 999 073 138 09 | screw M 8 X 25 | | 2 | | - | 996 537 545 00 | cover lock | /L | 1 | |
| 9 | 996 537 751 00 | seal | | 2 | | - | 996 537 546 00 | cover lock | /R | 1 | |
| (10) | 996 537 523 00 | bracket | /L | 1 | | | | | | | |
| | GRV | prime coated | | | | | | | | | |
| 10 | 996 537 524 00 | bracket | /R | 1 | | | | | | | |
| | GRV | prime coated | | | | | | | | | |
| 11 | 900 075 487 09 | combination screw M 6 X 16 | | 10 | | | | | | | |
| 12 | 3B0 837 033 P | closing element | | 2 | | | | | | | |
| 13 | N 907 985 02 | countersunk-head screw M 8 X 16,5 | | 4 | | | | | | | |
| (14) A | 8N1 837 015 | door lock | /LL/L | -01 | 1 | | | | | | |
| (14) | 8N1 837 015 B | door lock | /LL/L | 1 | | | | | | | |
| 14 A | 8N1 837 016 | door lock | /LL/R | -01 | 1 | | | | | | |
| 14 | 8N1 837 016 B | door lock | /LL/R | 1 | | | | | | | |
| (14) | 3B1 837 016 M | door lock | /LL/R | 1 | M534/535 | | | | | | |
| (14) A | 8N2 837 015 | door lock | /RL/L | -01 | 1 | | | | | | |
| (14) | 8N2 837 015 B | door lock | /RL/L | 1 | | | | | | | |
| (14) | 3B2 837 015 F | door lock | /RL/L | 1 | M534/535 | | | | | | |
| (14) A | 8N2 837 016 | door lock | /RL/R | -01 | 1 | | | | | | |
| (14) | 8N2 837 016 B | door lock | /RL/R | 1 | | | | | | | |
| 15 | N 908 005 01 | screw M 8 X 14 | | 4 | | | | | | | |
| 16 | 996 537 320 03 | bowden cable see workshop manual group 70 59 19 | | 2 | | | | | | | |
| 17 | 999 072 043 09 | hexagon-head bolt M 6 X 12 micro-self-locking | | 4 | | | | | | | |
| 18 | 999 500 066 02 | blind rivet nut | | 6 | M563 | | | | | | |

| | | | | | | | | | | | |
|-------|------|----|----|--------------|--------------|-----|-------|------------|---------|-----|---------|
| Model | Year | MG | SG | Illustration | Restrictions | UPD | 20:00 | 24.01.2010 | PORSCHE | PET | PORSCHE |
| 996T | 2005 | 8 | 04 | 804-10 | | 248 | | | | | |

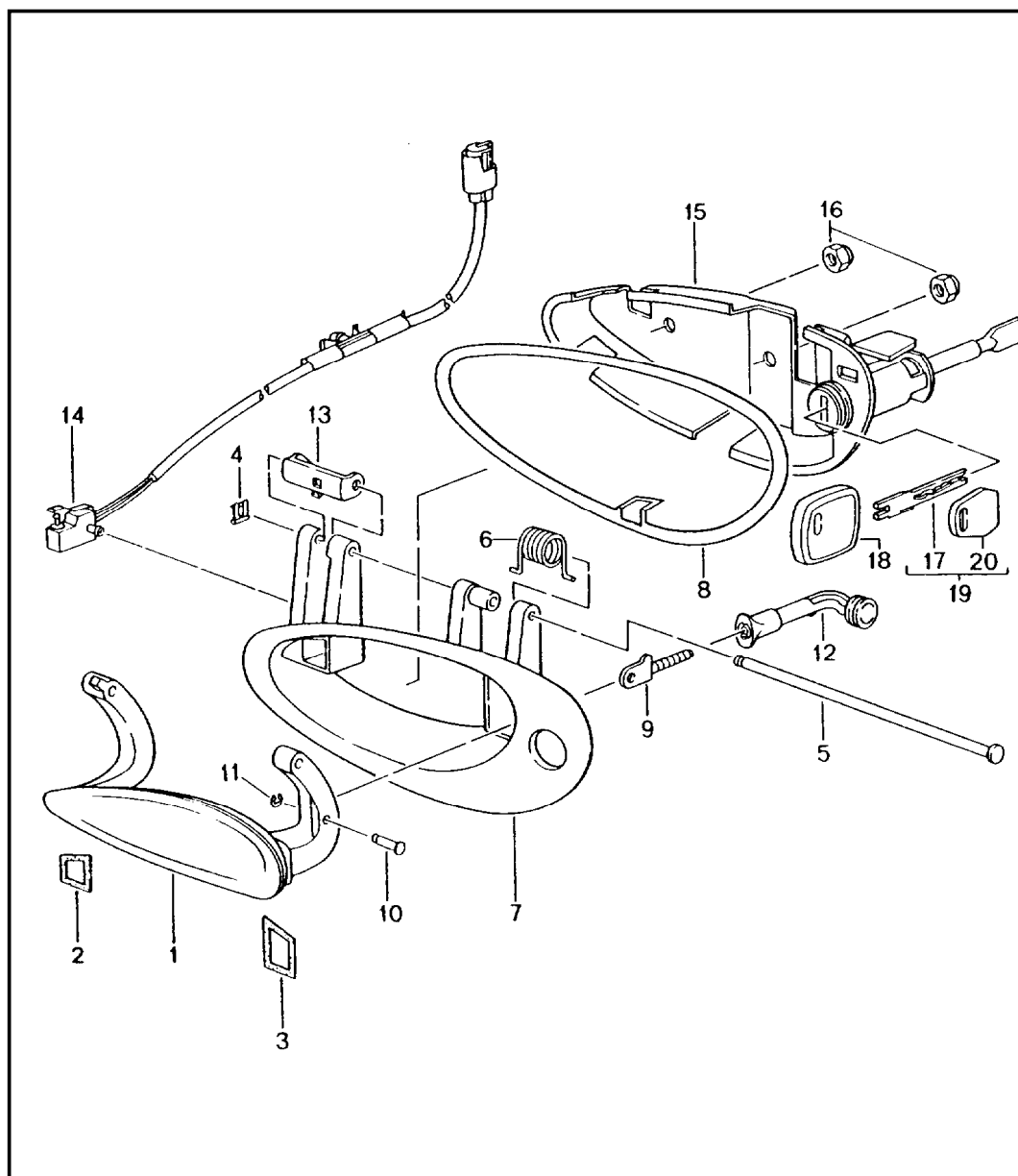


| Pos | Part Number | Description | Remark | Qty | Model |
|------|----------------|---|--------|-----|--------|
| | | door seal gasket windscreen frame | | | |
| 1 | 996 537 077 02 | gasket | | 1 | CABRIO |
| 2 | 999 507 678 01 | u-clamp 4,0-4,5 | | 2 | CABRIO |
| 3 | 999 190 445 37 | rivet A 4,0 X 7,9 | | 36 | CABRIO |
| (4) | 996 537 085 07 | gasket outer | /L | 1 | |
| 4 | 996 537 086 07 | gasket outer | /R | 1 | |
| 5 | 996 537 531 06 | gasket inner | /L | 1 | |
| 5 | 996 537 532 06 | gasket inner | /R | 1 | |
| (6) | 996 537 725 02 | window guide | /L | 1 | |
| 6 | 996 537 726 02 | window guide | /R | 1 | |
| 7 | 999 073 047 02 | tapping screw ST 3,5 X 9,5 | | 2 | |
| 8 | 999 591 725 02 | speed nut ST 3,5 | | 2 | |
| (9) | 996 537 075 03 | gasket | /L | 1 | COUPE |
| 9 | 996 537 076 03 | gasket | /R | 1 | COUPE |
| 10 | 999 703 441 40 | lid 20 X 28 X 1 | | 4 | |
| 11 | 999 703 417 40 | lid 24 X 39 | | 8 | |
| 12 | 999 507 578 40 | clip gasket outer | | 36 | |
| 13 | 999 507 571 02 | clamp | | 2 | |
| 14 | 996 537 075 04 | gasket | /L | 1 | CABRIO |
| (14) | 996 537 076 04 | gasket | /R | 1 | CABRIO |
| 15 | 900 075 483 02 | combination screw M 5 X 20 | | 2 | CABRIO |

| | | | | | | | | | | | |
|-------|------|----|----|--------------|--------------|-----|-------|------------|---------|-----|---------|
| Model | Year | MG | SG | Illustration | Restrictions | UPD | 20:00 | 24.01.2010 | PORSCHE | PET | PORSCHE |
| 996T | 2005 | 8 | 04 | 804-10 | | 248 | | | | | |

| Pos | Part Number | Description | Remark | Qty | Model | Pos | Part Number | Description | Remark | Qty | Model |
|-----|----------------|-----------------|--------|-----|-------|-----|-------------|-------------|--------|-----|-------|
| 16 | 996 537 337 00 | protective film | | 4 | | | | | | | |

| | | | | | | | | | | | |
|-------|------|----|----|--------------|--------------|-----|-------|------------|---------|-----|---------|
| Model | Year | MG | SG | Illustration | Restrictions | UPD | 20:00 | 24.01.2010 | PORSCHE | PET | PORSCHE |
| 996T | 2005 | 8 | 04 | 804-20 | | 248 | | | | | |

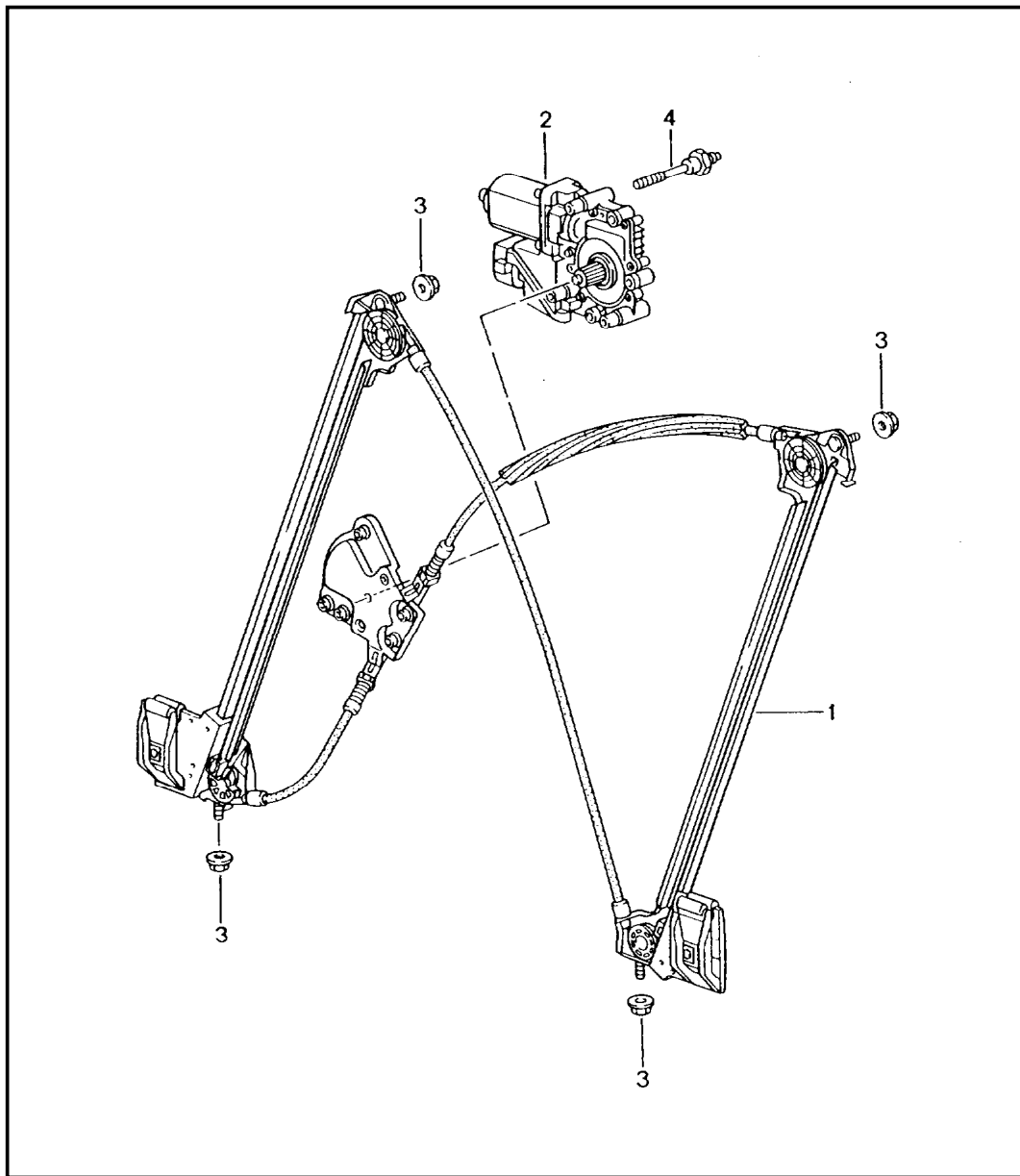


| Pos | Part Number | Description | Remark | Qty | Model |
|-----|----------------|------------------|--------|-----|----------|
| 1 | 996 537 613 01 | door handle | | | |
| | | handle | /L | 1 | |
| | | G2X prime coated | | | |
| (1) | 996 537 614 01 | handle | /R | 1 | |
| | | G2X prime coated | | | |
| 2 | 996 537 623 01 | buffer | | 2 | |
| 3 | 996 537 625 00 | buffer | | 2 | |
| 4 | 996 537 631 00 | sl-lock | | 2 | |
| 5 | 996 537 621 00 | axle | | 2 | |
| 6 | 996 537 611 00 | return spring | /L | 1 | |
| (6) | 996 537 612 00 | return spring | /R | 1 | |
| 7 | 996 537 645 01 | handle liner | /LL/L | 1 | |
| | | G2X prime coated | | | |
| (7) | 996 537 645 01 | handle liner | /RL/L | 1 | M532 |
| | | G2X prime coated | | | |
| (7) | 996 537 647 01 | handle liner | /RL/L | 1 | M534/535 |
| | | G2X prime coated | | | |
| (7) | 996 537 646 01 | handle liner | /LL/R | 1 | M532 |
| | | G2X prime coated | | | |
| (7) | 996 537 646 01 | handle liner | /RL/R | 1 | |
| | | G2X prime coated | | | |
| (7) | 996 537 648 01 | handle liner | /LL/R | 1 | M534/535 |
| | | G2X prime coated | | | |
| 8 | 996 537 637 00 | desk pad | /L | 1 | |
| (8) | 996 537 638 00 | desk pad | /R | 1 | |
| 9 | 996 537 627 00 | control shaft | | 2 | |
| 10 | 996 537 629 01 | bolt | | 2 | |
| 11 | 996 537 641 00 | lock washer | | 2 | |
| 12 | 996 537 445 02 | connecting piece | | 2 | |

| | | | | | | | | | | | |
|-------|------|----|----|--------------|--------------|-----|-------|------------|---------|-----|---------|
| Model | Year | MG | SG | Illustration | Restrictions | UPD | 20:00 | 24.01.2010 | PORSCHE | PET | PORSCHE |
| 996T | 2005 | 8 | 04 | 804-20 | | 248 | | | | | |

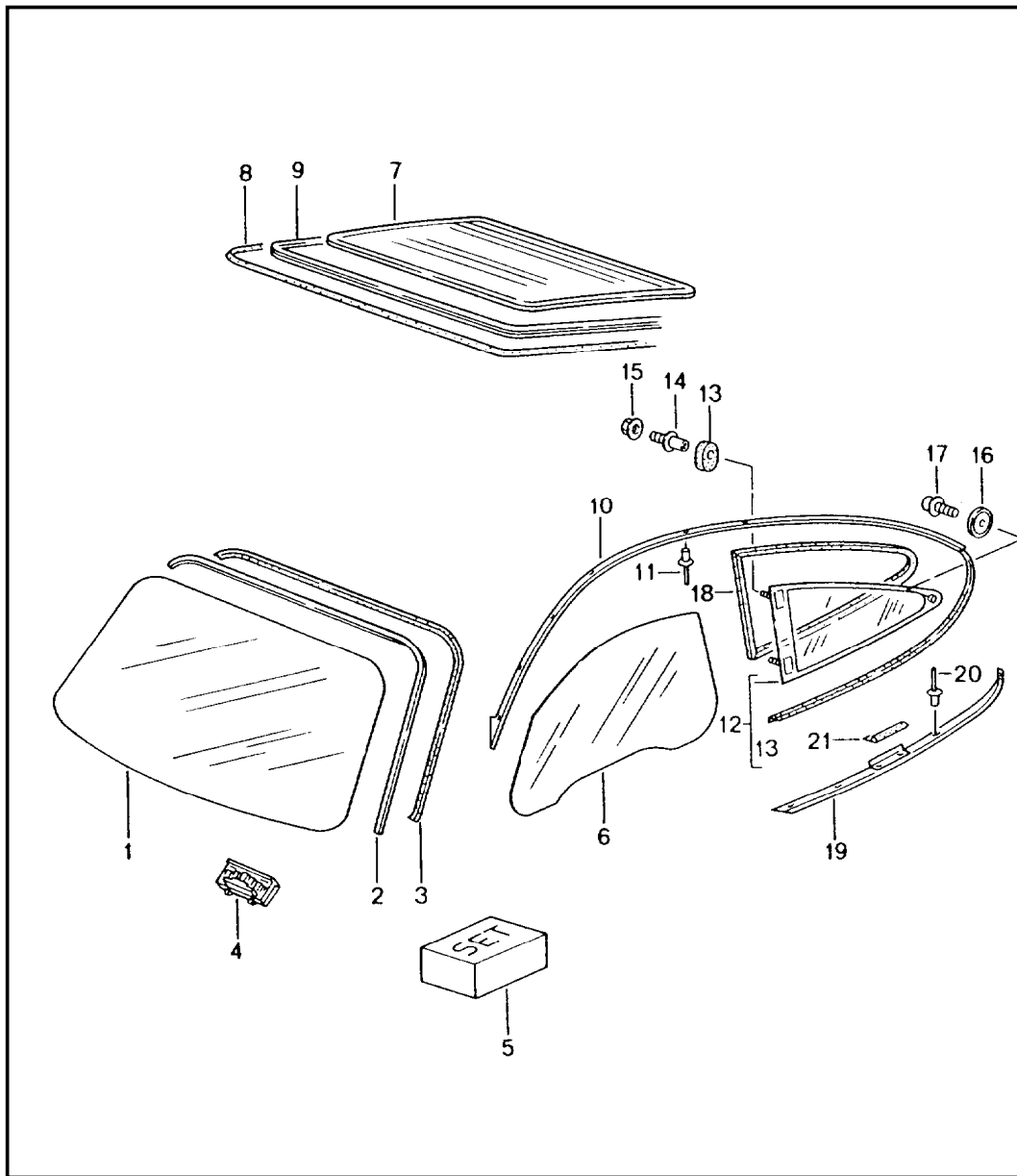
| Pos | Part Number | Description | Remark | Qty | Model | Pos | Part Number | Description | Remark | Qty | Model |
|------|----------------|--|--------|-----|-------|-----|-------------|-------------|--------|-----|-------|
| 13 | 996 537 653 00 | eccentric | /L | 1 | | | | | | | |
| (13) | 996 537 654 00 | eccentric | /R | 1 | | | | | | | |
| 14 | 996 613 125 00 | microswitch power windows | /L | 1 | | | | | | | |
| (14) | 996 613 126 00 | microswitch power windows | /R | 1 | | | | | | | |
| 15 | 996 537 963 02 | support with lock cylinder w/o stipulated lock number | /L | 1 | | | | | | | |
| (15) | 996 537 964 02 | support with lock cylinder w/o stipulated lock number | /R | 1 | | | | | | | |
| 15 | 996 537 963 03 | support with lock cylinder with stipulated lock number state lock number | /L | 1 | | | | | | | |
| (15) | 996 537 964 03 | support with lock cylinder with stipulated lock number state lock number | /R | 1 | | | | | | | |
| (15) | 996 537 063 03 | support without lock cylinder | /RL/L | 1 | | | | | | | |
| (15) | 996 537 064 03 | support without lock cylinder | /LL/R | 1 | | | | | | | |
| 16 | 900 380 015 09 | nut M 6 | | 4 | | | | | | | |
| 17 | 996 538 531 00 | blank key | | X | | | | | | | |
| 18 | 996 538 423 01 | key cap | | X | | | | | | | |
| 19 | 996 538 932 00 | replacement key with stipulated lock number state lock number Information available | | X | | | | | | | |
| 20 | 944 538 431 00 | key cap | | X | | | | | | | |

| | | | | | | | | | | | |
|-------|------|----|----|--------------|--------------|-----|-------|------------|---------|-----|---------|
| Model | Year | MG | SG | Illustration | Restrictions | UPD | 20:00 | 24.01.2010 | PORSCHE | PET | PORSCHE |
| 996T | 2005 | 8 | 04 | 804-30 | | 248 | | | | | |



| Pos | Part Number | Description | Remark | Qty | Model |
|-----|----------------|----------------|--------|-----|--------|
| | | power windows | | | |
| (1) | 996 542 075 04 | power windows | /L | 1 | |
| 1 | 996 542 076 04 | power windows | /R | 1 | |
| (2) | 996 624 101 05 | electric motor | /L | 1 | COUPE |
| 2 | 996 624 102 05 | electric motor | /R | 1 | COUPE |
| 2 | 996 624 101 06 | electric motor | /L | 1 | CABRIO |
| 2 | 996 624 102 06 | electric motor | /R | 1 | CABRIO |
| 3 | 900 380 015 09 | nut M 6 | | 14 | |
| 4 | 996 542 711 00 | threaded bolt | | 6 | |

| | | | | | | | | | | | |
|-------|------|----|----|--------------|--------------|-----|-------|------------|---------|-----|---------|
| Model | Year | MG | SG | Illustration | Restrictions | UPD | 20:01 | 24.01.2010 | PORSCHE | PET | PORSCHE |
| 996T | 2005 | 8 | 05 | 805-00 | | 248 | | | | | |

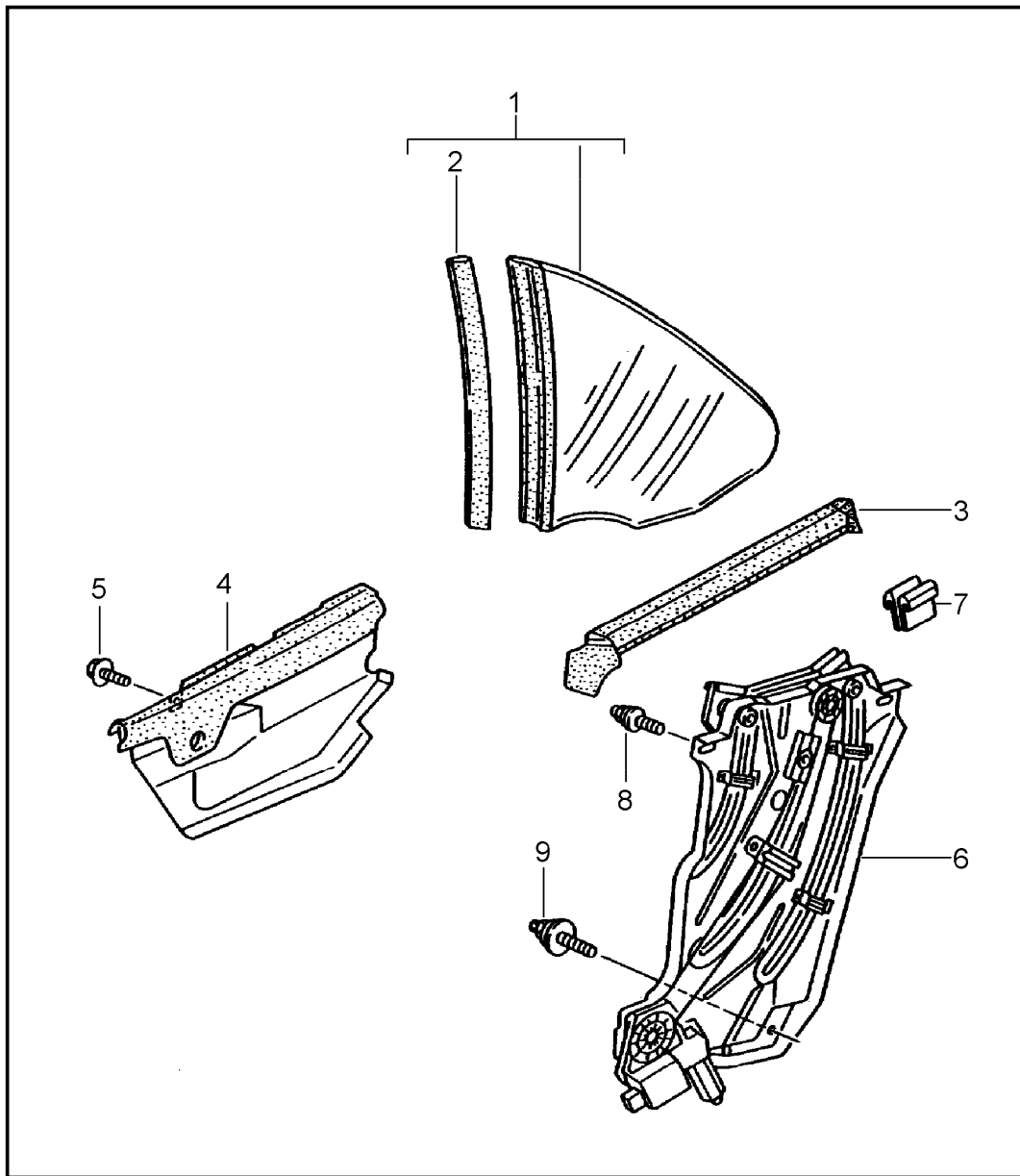


| Pos | Part Number | Description | Remark | Qty | Model |
|-----|----------------|--|--------|-----|-------------------|
| | | window glazing | | | |
| (1) | 996 541 901 00 | windscreen tinted | | 1 | TURBO M568 |
| (1) | 996 541 901 04 | windscreen tinted | 02- | 1 | GT2 M568 |
| (1) | 996 541 901 02 | windscreen tinted | -01 | 1 | TURBO M265 |
| (1) | 996 541 901 06 | windscreen tinted | 02- | 1 | TURBO M265 |
| (1) | 996 541 901 01 | windscreen tinted green top tint | -01 | 1 | TURBO M567 |
| (1) | 996 541 901 05 | windscreen tinted green top tint | 02- | 1 | GT2 M567 |
| (1) | 996 541 901 03 | windscreen tinted green top tint | -01 | 1 | TURBO M265 |
| (1) | 996 541 901 07 | windscreen tinted green top tint | 02- | 1 | TURBO M265 |
| (1) | 996 541 901 09 | windscreen tinted green top tint | | 1 | GT2 M440 |
| (1) | 996 541 901 10 | windscreen tinted | 03- | 1 | TURBO M265/440 |
| (1) | 996 541 901 11 | windscreen tinted green top tint | 03- | 1 | TURBO M265/440 |
| 2 | 996 541 531 01 | sealing frame | | 1 | |
| 3 | 996 541 541 01 | trim frame | -01 | 1 | |
| (3) | 996 541 541 02 | trim frame | 02- | 1 | |
| 4 | 999 507 576 41 | support | | 2 | |

| | | | | | | | | | | | |
|-------|------|----|----|--------------|--------------|-----|-------|------------|---------|-----|---------|
| Model | Year | MG | SG | Illustration | Restrictions | UPD | 20:01 | 24.01.2010 | PORSCHE | PET | PORSCHE |
| 996T | 2005 | 8 | 05 | 805-00 | | 248 | | | | | |

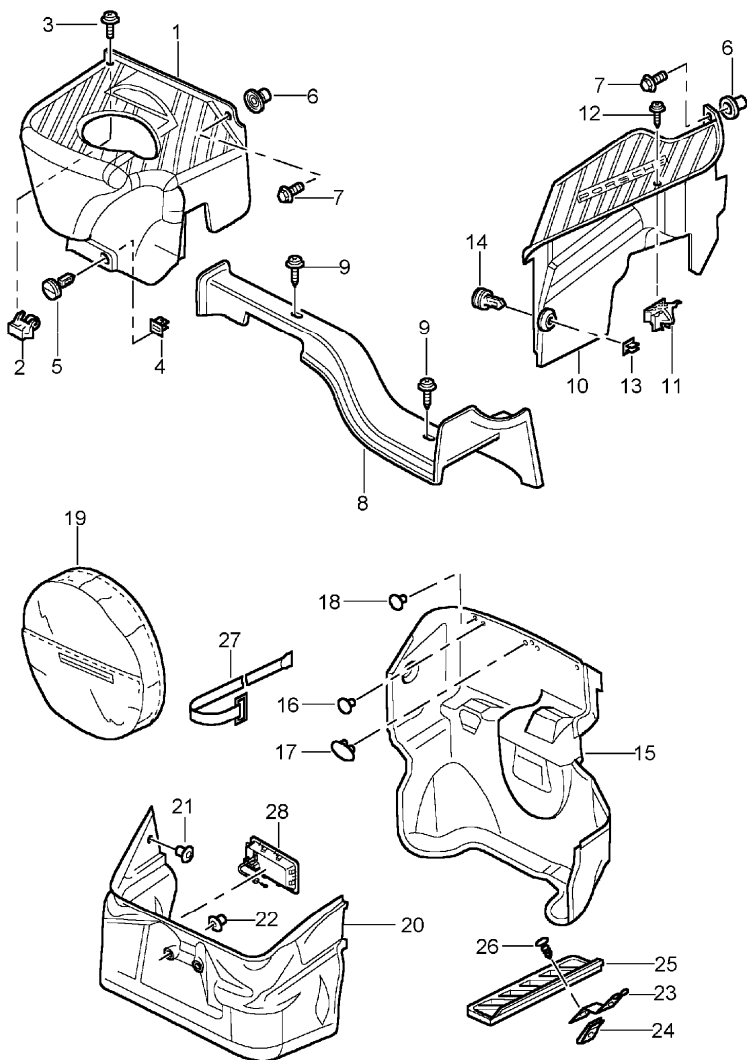
| Pos | Part Number | Description | Remark | Qty | Model | Pos | Part Number | Description | Remark | Qty | Model |
|------|----------------|--|--------|-----|--------|-----|----------------|-------------|--------|-----|-------|
| 5 | 000 043 300 94 | adhesive set | | 1 | | 21 | 996 543 543 01 | spacer | | 2 | |
| - | 000 731 513 00 | adhesive plate for interior mirror | | 1 | | | | | | | |
| 6 | 996 542 511 02 | door window glass | /L | 1 | COUPE | | | | | | |
| (6) | 996 542 512 02 | door window glass | /R | 1 | COUPE | | | | | | |
| (6) | 996 542 511 03 | door window glass | /L | 1 | CABRIO | | | | | | |
| (6) | 996 542 512 03 | door window glass | /R | 1 | CABRIO | | | | | | |
| 7 | 996 545 901 02 | rear window | | 1 | | | | | | | |
| 8 A | 996 545 521 03 | sealing frame | | 1 | | | | | | | |
| 8 | 996 545 521 04 | sealing frame | | 1 | | | | | | | |
| 9 | 996 545 545 01 | trim frame | | 1 | | | | | | | |
| (9) | 996 545 545 02 | trim frame | | 1 | | | | | | | |
| 10 | 996 537 481 08 | roof frame seal | /L | 1 | | | | | | | |
| (10) | 996 537 482 08 | roof frame seal | /R | 1 | | | | | | | |
| 11 | 999 190 445 37 | blind rivet A 4,0 X 7,9 | | 26 | | | | | | | |
| 12 | 996 543 111 03 | rear window | /L | 1 | | | | | | | |
| (12) | 996 543 112 03 | rear window | /R | 1 | | | | | | | |
| 13 | 996 543 611 02 | gasket | | 4 | | | | | | | |
| 14 | 996 543 435 00 | threaded bush | | 4 | | | | | | | |
| 15 | 999 076 055 09 | hexagon nut M 8 | | 4 | | | | | | | |
| 16 | 996 543 625 00 | sealing washer | | 2 | | | | | | | |
| 17 | 999 218 011 02 | pan-head screw M 6 X 12 | | 2 | | | | | | | |
| 18 | 996 543 325 00 | sealing frame | /L | 1 | | | | | | | |
| (18) | 996 543 326 00 | sealing frame | /R | 1 | | | | | | | |
| 19 | 996 543 771 08 | retaining strip | /L | 1 | | | | | | | |
| (19) | 996 543 772 08 | retaining strip | /R | 1 | | | | | | | |
| 20 | 999 190 445 37 | blind rivet A 4,0 X 7,9 | | 12 | | | | | | | |

| | | | | | | | | | | | |
|-------|------|----|----|--------------|--------------|-----|-------|------------|---------|-----|---------|
| Model | Year | MG | SG | Illustration | Restrictions | UPD | 20:01 | 24.01.2010 | PORSCHE | PET | PORSCHE |
| 996T | 2005 | 8 | 05 | 805-05 | | 248 | | | | | |



| Pos | Part Number | Description | Remark | Qty | Model |
|-----|----------------|-------------------------------|--------|-----|--------|
| | | rear window | | | CABRIO |
| 1 | 996 543 111 09 | rear window | /L | 1 | |
| (1) | 996 543 112 09 | rear window | /R | 1 | |
| 2 | 996 543 615 03 | gasket | /L | 1 | |
| (2) | 996 543 616 03 | gasket | /R | 1 | |
| 3 | 996 543 475 04 | gasket outer | /L | 1 | |
| (3) | 996 543 476 04 | gasket outer | /R | 1 | |
| 4 | 996 543 177 01 | gasket inner | /L | 1 | |
| (4) | 996 543 178 01 | gasket inner | /R | 1 | |
| 5 | 900 378 036 09 | hexagon-head bolt M 6 X 12 | | 4 | |
| 6 | 996 543 015 05 | power windows | /L | 1 | |
| (6) | 996 543 016 05 | power windows | /R | 1 | |
| 7 | 996 543 901 00 | insert | | 4 | |
| 8 | 996 543 903 00 | bolt upper | | 4 | |
| 9 | 996 543 905 00 | bolt lower | | 2 | |

| | | | | | | | | | | | |
|-------|------|----|----|--------------|--------------|-----|-------|------------|---------|-----|---------|
| Model | Year | MG | SG | Illustration | Restrictions | UPD | 20:01 | 24.01.2010 | PORSCHE | PET | PORSCHE |
| 996T | 2005 | 8 | 07 | 807-00 | | 248 | | | | | |

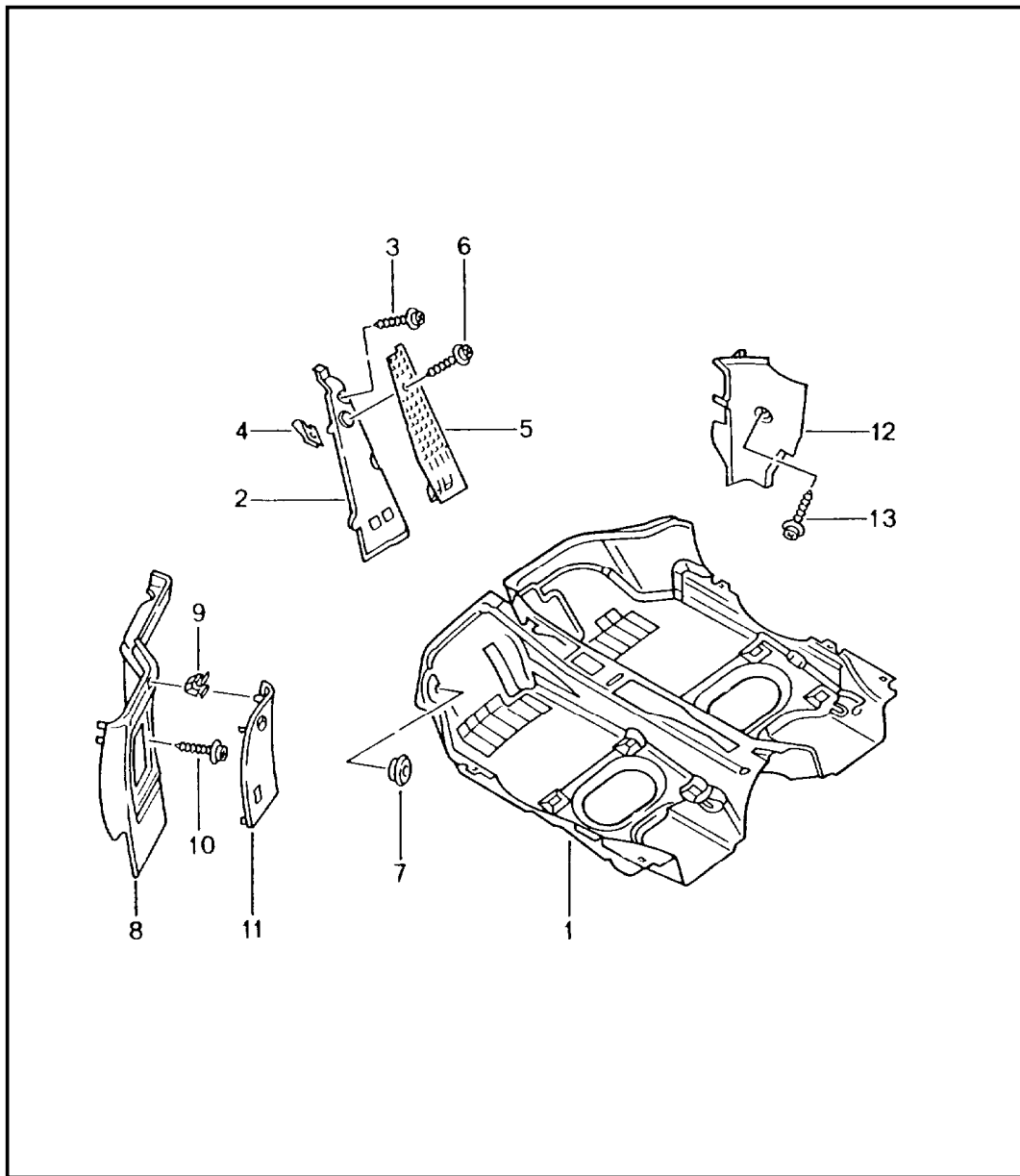


| Pos | Part Number | Description | Remark | Qty | Model |
|------|----------------|-------------------------------|--------|-----|-------|
| | | luggage compartment | | | |
| (1) | 996 551 134 00 | lining | /RL/R | 1 | M339 |
| | 01C | satin black | | | |
| (1) | 996 551 131 02 | lining brake booster | /LL/L | 1 | M339 |
| | 01C | satin black | | | |
| 2 | 999 507 512 40 | support 3,5 | | 1 | |
| 3 | 999 073 050 02 | oval-head screw 3,5 X 19 | | 1 | |
| 4 | 999 590 046 40 | disc cam 10,0 X 11,5 | | 1 | |
| 5 | 999 507 529 40 | catch 18,0 | | 1 | |
| 6 | 999 500 078 00 | nut M 6 | /RL | 3 | |
| 7 | 900 378 035 09 | hexagon-head bolt M 6 X 16 | /RL | 3 | |
| 9 | 999 073 050 02 | screw 3,5 X 19 | | 3 | |
| (10) | 996 551 133 03 | lining hydraulic unit | /RL/L | 1 | M339 |
| | 01C | satin black | | | |
| 11 | 999 507 512 40 | support | /RL | 5 | |
| 11 | 999 507 512 40 | support 3,5 | /LL | 3 | |
| (11) | 996 551 773 00 | support | | 1 | M339 |
| 12 | 999 073 050 02 | oval-head screw | /RL | 6 | |
| 12 | 999 073 050 02 | oval-head screw 3,5 X 19 | /LL | 3 | |
| 13 | 999 590 046 40 | disc cam | /RL | 3 | |
| 13 | 999 590 046 40 | disc cam 10,0 X 11,5 | /LL | 3 | |
| 14 | 999 507 529 40 | catch 18,0 | | 2 | |

| | | | | | | | | | | | |
|-------|------|----|----|--------------|--------------|-----|-------|------------|---------|-----|---------|
| Model | Year | MG | SG | Illustration | Restrictions | UPD | 20:01 | 24.01.2010 | PORSCHE | PET | PORSCHE |
| 996T | 2005 | 8 | 07 | 807-00 | | 248 | | | | | |

| Pos | Part Number | Description | Remark | Qty | Model | Pos | Part Number | Description | Remark | Qty | Model |
|------|----------------|----------------------------|--------|-----|--------------|--------|----------------|------------------------|--------|-----|--------|
| (15) | 996 551 051 09 | lining luggage compartment | /LL/H | 00 | 1 M339 | (20) | 996 551 045 07 | lining | /V | 01 | 1 GT2 |
| | C10 | grey | | | | | A31 | black | | | |
| (15) | 996 551 051 10 | lining luggage compartment | /RL/H | 00 | 1 M339 | (20) A | 996 551 045 05 | lining | /V | 02 | 1 M339 |
| | C10 | grey | | | | | A31 | black | | | |
| (15) | 996 551 051 22 | lining luggage compartment | /LL | | 1 TURBO M339 | (20) A | 996 551 045 05 | lining | /V | 02 | 1 GT2 |
| | A31 | black | | | | | A31 | black | | | |
| (15) | 996 551 051 22 | lining luggage compartment | /LL | 01- | 1 GT2 | (20) | 996 551 045 10 | lining | /V | 02- | 1 M339 |
| | A31 | black | | | | | A31 | black | | | |
| (15) | 996 551 051 21 | lining luggage compartment | /RL | 01- | 1 Turbo M339 | -- | 996 551 845 00 | adhesive carpet | | | 1 |
| | A31 | black | | | | 21 | 999 703 432 40 | stopper 8,0 | | | 2 |
| (15) | 996 551 051 21 | lining luggage compartment | /RL | 01- | 1 GT2 | 22 | 999 507 565 40 | plastic nut T5/ 24,15 | | | 2 |
| | A31 | black | | | | (22) | 999 507 566 40 | plastic nut T5/ 39,70 | | | 1 |
| 16 | 999 703 432 40 | stopper 8,0 12,2 X 25 | | | 4 | 23 | 996 551 761 00 | support | /LL | -02 | 1 M339 |
| 17 | 999 703 456 40 | cap 49 X 26 12,2 X 25 | | | 1 | 23 | 996 551 761 01 | support cover booster | /LL | 03- | 1 M339 |
| 18 | 999 703 455 40 | cap 12,2 X 25 | | | 2 | 24 | 999 591 725 02 | speed nut 3,5 | | | 1 M339 |
| -- | 996 551 351 03 | lining floor | | 01 | 1 M339 | 25 | 996 551 451 00 | cover booster | | | 1 M339 |
| | A31 | black | | | | | 01C | satin black | | | |
| -- | 996 551 351 04 | lining floor | | 02- | 1 M339 | 26 | 900 144 103 09 | tapping screw 3,5 X 13 | | | 1 |
| | A31 | black | | | | | | | | | |
| (20) | 996 551 045 07 | lining | /V | 01 | 1 M339 | | | | | | |
| | A31 | black | | | | | | | | | |

| | | | | | | | | | | | |
|-------|------|----|----|--------------|--------------|-----|-------|------------|---------|-----|---------|
| Model | Year | MG | SG | Illustration | Restrictions | UPD | 20:01 | 24.01.2010 | PORSCHE | PET | PORSCHE |
| 996T | 2005 | 8 | 07 | 807-02 | | 248 | | | | | |



| Pos | Part Number | Description | Remark | Qty | Model |
|-----|----------------|--|------------|-----|-------------|
| 1 | 996 551 011 02 | carpet linings carpet EEW black EEX graphite grey EEY savanna FAR nephrite green EFC boxster red EEZ metropole blue VRL dark grey VRM brown/natural FAP cinnamon brown | /LL -03 | 1 | |
| (1) | 996 551 011 03 | carpet EEW black EEX graphite grey EEY savanna FAR nephrite green EFC boxster red EEZ metropole blue VRL dark grey VRM brown/natural FAP cinnamon brown | /RL -03 | 1 | |
| (1) | 996 551 011 06 | carpet EEW black EEX graphite grey EEY savanna EFC boxster red EEZ metropole blue VRL dark grey | /LL 04- | 1 | CABRIO M680 |

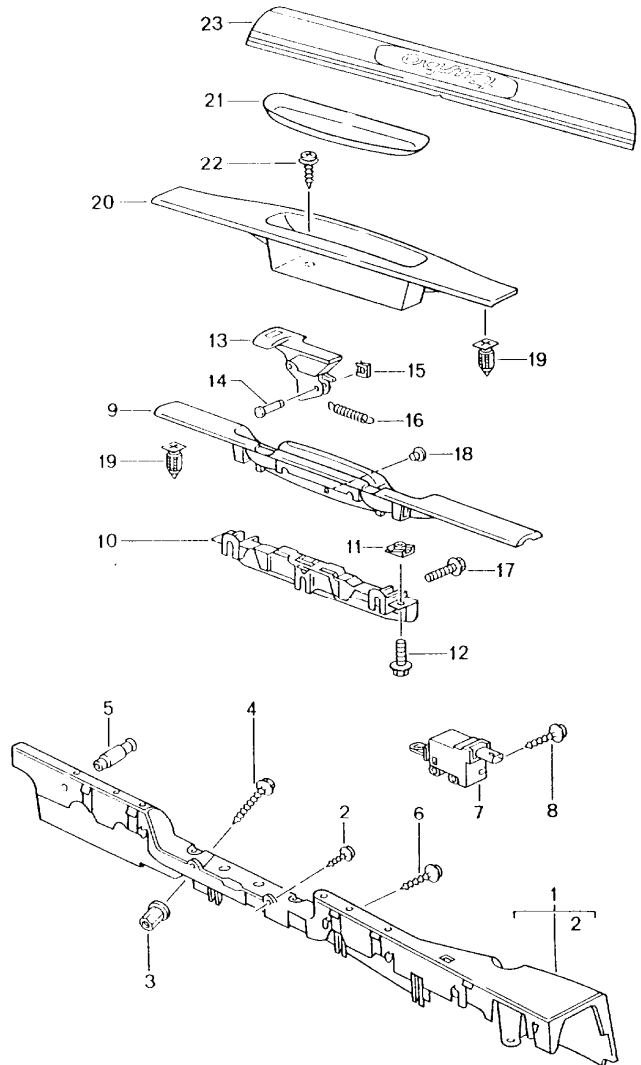
| | | | | | | | | | | | |
|-------|------|----|----|--------------|--------------|-----|-------|------------|---------|-----|---------|
| Model | Year | MG | SG | Illustration | Restrictions | UPD | 20:01 | 24.01.2010 | PORSCHE | PET | PORSCHE |
| 996T | 2005 | 8 | 07 | 807-02 | | 248 | | | | | |

| Pos | Part Number | Description | Remark | Qty | Model | Pos | Part Number | Description | Remark | Qty | Model |
|-----|----------------|-----------------------------|---------|-----|----------------|-----|----------------|-----------------------------|--------|-----|-------|
| | VRM | brown/natural | | | | (6) | 900 143 155 02 | oval-head screw 4,8 X 32 | /RL | 1 | |
| | FAP | cinnamon brown | | | | 7 | 803 803 583 A | lid 20,0 X 30,0 | | 2 | |
| (1) | 996 551 011 07 | carpet | /RL 04- | 1 | CABRIO M680 | 8 | 996 551 101 00 | lining carpet | /LL | 1 | |
| | EEW | black | | | | | EAQ | black | | | |
| | EEX | graphite grey | | | | | EAR | graphite grey | | | |
| | EEY | savanna | | | | | EAS | savanna | | | |
| | EFC | boxster red | | | | | EAT | nephrite green | | | |
| | EEZ | metropole blue | | | | | EAU | boxster red | | | |
| | VRL | dark grey | | | | | EBU | metropole blue | | | |
| | VRM | brown/natural | | | | | VRN | dark grey | | | |
| | FAP | cinnamon brown | | | | | VRO | brown/natural | | | |
| 1 | 996 551 011 92 | carpet | /LL 01- | 1 | GT2 | | FBZ | cinnamon brown | | | |
| | EEW | black | | | | (8) | 996 551 102 00 | lining carpet | /RL | 1 | |
| 1 | 996 551 011 93 | carpet | /RL 01- | 1 | GT2 | | EAQ | black | | | |
| | EEW | black | | | | | EAR | graphite grey | | | |
| - | 996 551 813 00 | protective film | /LL | 1 | | | EAS | savanna | | | |
| - | 996 551 815 00 | protective film carpet | /RL | 1 | | | EAT | nephrite green | | | |
| 2 | 996 551 211 00 | foot support | /LL | 1 | | | EAU | boxster red | | | |
| (2) | 996 551 212 00 | foot support | /RL | 1 | | | EBU | metropole blue | | | |
| 3 | 999 073 061 02 | tapping screw 4,8 X 16 | | 2 | | | VRN | dark grey | | | |
| (3) | 900 143 155 09 | tapping screw 4,8 X 32 | /RL | 1 | | | VRO | brown/natural | | | |
| 4 | 999 591 485 02 | speed nut 4,8 | /RL | 2 | | | FBZ | cinnamon brown | | | |
| 5 | 996 551 611 00 | cover | /LL | 1 | | 9 | 999 507 552 01 | spring clamp 9,0 X 13 | | 2 | |
| (5) | 996 551 612 00 | cover foot support | /RL | 1 | | 10 | 999 919 161 09 | oval-head screw 5,0 X 18 | | 4 | |
| 6 | 999 919 161 09 | oval-head screw 5,0 X 18 | | 2 | | 11 | 996 551 621 00 | lid | /LL | 1 | |
| | | | | | | | 01C | satin black | | | |

| | | | | | | | | | | | |
|-------|------|----|----|--------------|--------------|-----|-------|------------|---------|-----|---------|
| Model | Year | MG | SG | Illustration | Restrictions | UPD | 20:01 | 24.01.2010 | PORSCHE | PET | PORSCHE |
| 996T | 2005 | 8 | 07 | 807-02 | | 248 | | | | | |

| Pos | Part Number | Description | Remark | Qty | Model | Pos | Part Number | Description | Remark | Qty | Model |
|------|----------------|---|--------|-----|-------|-----|-------------|-------------|--------|-----|-------|
| (11) | 996 551 622 00 | lid | /RL | 1 | | | | | | | |
| | 01C | satin black | | | | | | | | | |
| 12 | 996 551 712 01 | support carpet | /LL/R | 1 | | | | | | | |
| (12) | 996 551 711 00 | support carpet | /RL/L | 1 | | | | | | | |
| 13 | 999 073 226 09 | tapping screw 4,2 X 16 | | 1 | | | | | | | |
| -- | --- --- --- -- | floor mats set see group TEQ/8/07/05 | | 1 | | | | | | | |

| | | | | | | | | | | | |
|-------|------|----|----|--------------|--------------|-----|-------|------------|---------|-----|---------|
| Model | Year | MG | SG | Illustration | Restrictions | UPD | 20:01 | 24.01.2010 | PORSCHE | PET | PORSCHE |
| 996T | 2005 | 8 | 07 | 807-03 | | 248 | | | | | |



| Pos | Part Number | Description | Remark | Qty | Model |
|-----|----------------|-------------------------------|--------|-----|--------|
| | | lining door sill | | | |
| 1 | 996 551 619 01 | support | /L | 1 | |
| (1) | 996 551 620 01 | support | /R | 1 | |
| - | 999 551 140 40 | felt strip | | 2 | |
| 2 | 900 143 082 02 | tapping screw 6,3 X 13 | | 4 | |
| 3 | 999 500 078 00 | speed nut M 6 | | 2 | |
| (3) | 999 049 022 40 | plastic nut | | 2 | |
| 4 | 900 378 029 09 | hexagon-head bolt M 6 X 40 | | 2 | |
| 5 | 996 551 873 00 | locating peg | | 2 | |
| 6 | 999 919 121 09 | oval-head screw 5,0 X 16 | | 2 | |
| (9) | 996 551 019 20 | lining complete lacquered | /LL | 01 | 1 |
| | A03 | black | | | |
| (9) | 996 551 019 28 | lining complete lacquered | /LL | 02- | 1 |
| | A03 | black | | | |
| (9) | 996 551 019 22 | lining complete lacquered | /LL | 01 | 1 M537 |
| | A03 | black | | | |
| (9) | 996 551 019 30 | lining complete lacquered | /LL | 02- | 1 M537 |
| | A03 | black | | | |
| (9) | 996 551 019 21 | lining complete lacquered | /RL | 01 | 1 |
| | A03 | black | | | |

| | | | | | | | | | | | |
|-------|------|----|----|--------------|--------------|-----|-------|------------|---------|-----|---------|
| Model | Year | MG | SG | Illustration | Restrictions | UPD | 20:01 | 24.01.2010 | PORSCHE | PET | PORSCHE |
| 996T | 2005 | 8 | 07 | 807-03 | | 248 | | | | | |

| Pos | Part Number | Description | Remark | Qty | Model | Pos | Part Number | Description | Remark | Qty | Model |
|-----|----------------|---------------------------|---------|-----|-------|-----|----------------|-------------------------|---------|-----|-----------|
| (9) | 996 551 019 29 | lining complete lacquered | /RL 02- | 1 | | | D12 | dark grey/natural | | | |
| | A03 | black | | | | | T12 | brown/natural | | | |
| (9) | 996 551 019 23 | lining complete lacquered | /RL 01 | 1 | M538 | (9) | 996 551 980 22 | lining complete leather | | 1 | IXTG/M537 |
| | A03 | black | | | | | A11 | black | | | |
| (9) | 996 551 019 31 | lining complete lacquered | /RL 02- | 1 | M538 | | C51 | graphite grey | | | |
| | A03 | black | | | | | S31 | savanna | | | |
| (9) | 996 551 980 20 | lining complete leather | /LL 01 | 1 | IXTG | | G11 | metropole blue | | | |
| | A11 | black | | | | | J31 | nephrite green | | | |
| | C51 | graphite grey | | | | | M31 | boxster red | | | |
| | S31 | savanna | | | | | P12 | cinnamon brown | | | |
| | G11 | metropole blue | | | | | D12 | dark grey/natural | | | |
| | J31 | nephrite green | | | | | T12 | brown/natural | | | |
| | M31 | boxster red | | | | (9) | 996 551 980 23 | lining complete leather | | 1 | IXTG/M538 |
| | P12 | cinnamon brown | | | | | A11 | black | | | |
| | D12 | dark grey/natural | | | | | C51 | graphite grey | | | |
| | T12 | brown/natural | | | | | S31 | savanna | | | |
| (9) | 996 551 980 21 | lining complete leather | /RL 01 | 1 | IXTG | | G11 | metropole blue | | | |
| | A11 | black | | | | | J31 | nephrite green | | | |
| | C51 | graphite grey | | | | | M31 | boxster red | | | |
| | S31 | savanna | | | | | P12 | cinnamon brown | | | |
| | G11 | metropole blue | | | | | D12 | dark grey/natural | | | |
| | J31 | nephrite green | | | | | T12 | brown/natural | | | |
| | M31 | boxster red | | | | (9) | 996 551 980 28 | lining leather complete | /LL 02- | 1 | IXTG |
| | P12 | cinnamon brown | | | | | VRK | black | | | |
| | | | | | | | C51 | graphite grey | | | |
| | | | | | | | S31 | savanna | | | |

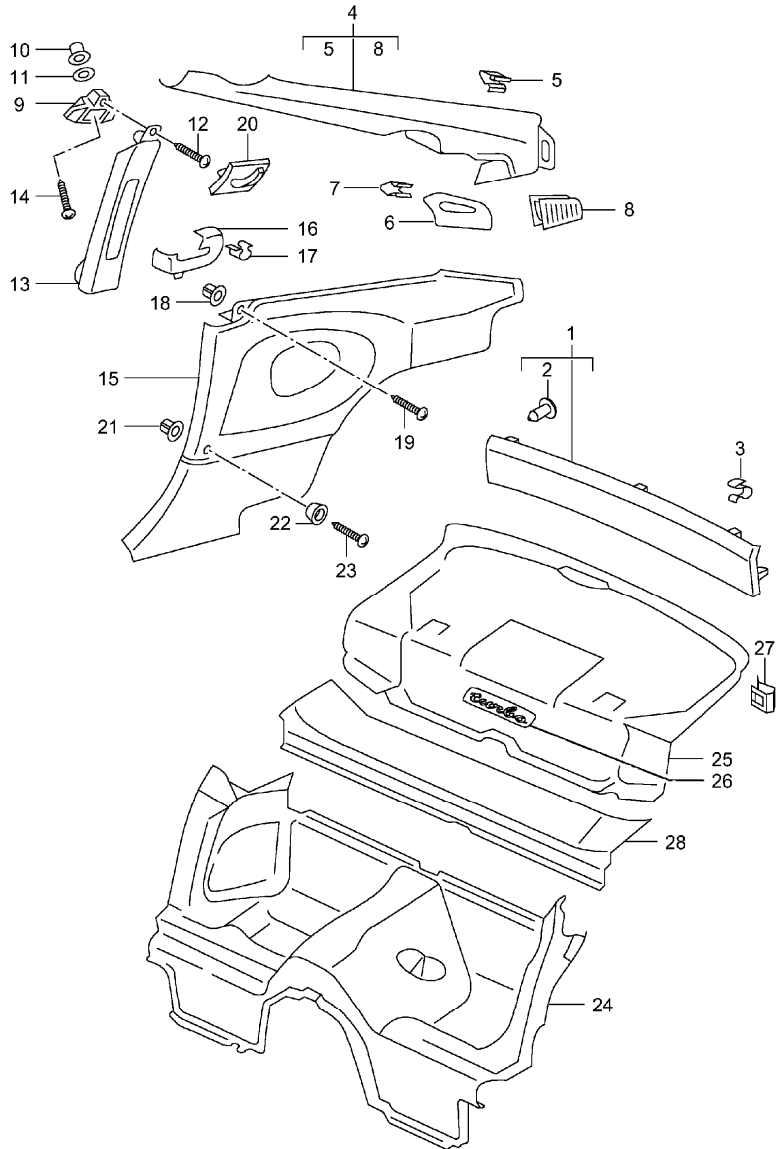
| | | | | | | | | | | | |
|-------|------|----|----|--------------|--------------|-----|-------|------------|---------|-----|---------|
| Model | Year | MG | SG | Illustration | Restrictions | UPD | 20:01 | 24.01.2010 | PORSCHE | PET | PORSCHE |
| 996T | 2005 | 8 | 07 | 807-03 | | 248 | | | | | |

| Pos | Part Number | Description | Remark | Qty | Model | Pos | Part Number | Description | Remark | Qty | Model |
|-----|----------------|-------------------------------|--------|-----|-------------|-----|----------------|-------------------------------|--------|-----|-------------|
| | G11 | metropole blue | | | | (9) | 996 551 980 31 | lining leather complete | /RL | 02 | 1 IXTG/M538 |
| | J31 | nephrite green | | | | | | | | | |
| | M31 | boxster red | | | | | VRK | black | | | |
| | P12 | cinnamon brown | | | | | C51 | graphite grey | | | |
| | D12 | dark grey/natural | | | | | S31 | savanna | | | |
| | T12 | brown/natural | | | | | G11 | metropole blue | | | |
| (9) | 996 551 980 29 | lining leather complete | /RL | 02- | 1 IXTG | | J31 | nephrite green | | | |
| | VRK | black | | | | | M31 | boxster red | | | |
| | C51 | graphite grey | | | | | P12 | cinnamon brown | | | |
| | S31 | savanna | | | | | D12 | dark grey/natural | | | |
| | G11 | metropole blue | | | | | T12 | brown/natural | | | |
| | J31 | nephrite green | | | | (9) | 996 551 119 04 | lining | | 1 | |
| | M31 | boxster red | | | | | A03 | black | | | |
| | P12 | cinnamon brown | | | | (9) | 996 551 119 05 | lining lacquered | | 1 | M537/538 |
| | D12 | dark grey/natural | | | | | A03 | black | | | |
| | T12 | brown/natural | | | | 17 | 999 067 046 09 | pan-head screw M 6 X 20 | | 2 | |
| (9) | 996 551 980 30 | lining leather complete | /LL | 02- | 1 IXTG/M537 | 18 | 999 703 443 40 | stopper 8,0 X 11 X 7,2 | | 2 | |
| | VRK | black | | | | | 01C | satin black | | | |
| | C51 | graphite grey | | | | 19 | 999 507 484 40 | expander nut | | 12 | |
| | S31 | savanna | | | | 20 | 996 551 120 00 | lining tray | | 1 | |
| | G11 | metropole blue | | | | | A03 | black | | | |
| | J31 | nephrite green | | | | 20 | 996 551 981 01 | lining tray leather | | 1 | IXTG |
| | M31 | boxster red | | | | | A11 | black | | | |
| | P12 | cinnamon brown | | | | | VRK | black | | | |
| | D12 | dark grey/natural | | | | | C51 | graphite grey | | | |
| | T12 | brown/natural | | | | | S31 | savanna | | | |

| | | | | | | | | | | | |
|-------|------|----|----|--------------|--------------|-----|-------|------------|---------|-----|---------|
| Model | Year | MG | SG | Illustration | Restrictions | UPD | 20:01 | 24.01.2010 | PORSCHE | PET | PORSCHE |
| 996T | 2005 | 8 | 07 | 807-03 | | 248 | | | | | |

| Pos | Part Number | Description | Remark | Qty | Model | Pos | Part Number | Description | Remark | Qty | Model |
|------|----------------|-----------------------------|--------|-----|-----------------|-----|-------------|-------------|--------|-----|-------|
| | J31 | nephrite green | | | | | | | | | |
| | M31 | boxster red | | | | | | | | | |
| | G11 | metropole blue | | | | | | | | | |
| | D12 | dark grey | | | | | | | | | |
| | T12 | brown/natural | | | | | | | | | |
| | P12 | cinnamon brown | | | | | | | | | |
| 21 | 996 551 513 00 | mat | | 1 | | | | | | | |
| 22 | 999 919 164 09 | oval-head screw 5,0 X 12 | | 2 | | | | | | | |
| 23 | 996 551 303 02 | scuff plate lacquered | | 2 | TURBO | | | | | | |
| | A03 | black | | | | | | | | | |
| 23 | 996 551 303 07 | scuff plate lacquered | 05- | 2 | TURBO S M092 | | | | | | |
| | A03 | black | | | | | | | | | |
| (23) | 996 551 303 91 | scuff plate lacquered | | 2 | GT2 | | | | | | |
| | A03 | black | | | | | | | | | |
| (23) | 996 551 984 02 | scuff plate | /L | 1 | TURBO IX69 | | | | | | |
| 23 | 996 551 984 03 | scuff plate | /R | 1 | TURBO IX70 | | | | | | |
| (23) | 996 551 984 92 | scuff plate | | 1 | GT2 IX69 | | | | | | |
| (23) | 996 551 984 93 | scuff plate | | 1 | GT2 IX70 | | | | | | |

| | | | | | | | | | | | |
|-------|------|----|----|--------------|--------------|-----|-------|------------|---------|-----|---------|
| Model | Year | MG | SG | Illustration | Restrictions | UPD | 20:02 | 24.01.2010 | PORSCHE | PET | PORSCHE |
| 996T | 2005 | 8 | 07 | 807-05 | | 248 | | | | | |



| Pos | Part Number | Description | Remark | Qty | Model |
|-----|----------------|--------------------------------|--------|-----|-------|
| 1 | 996 555 081 03 | linings rear lining leather | | 1 | |
| | A11 | black | | | |
| | C51 | graphite grey | | | |
| | S31 | savanna | | | |
| | G11 | metropole blue | | | |
| | J31 | nephrite green | | | |
| | M31 | boxster red | | | |
| | P12 | cinnamon brown | | | |
| | D12 | dark grey | | | |
| | T12 | brown/natural | | | |
| 2 | 999 507 687 05 | fixing clip | | 5 | |
| 3 | 999 651 307 02 | cable clamp 18,0 | | 4 | |
| (4) | 996 555 187 03 | lining upper leather | /L | 1 | |
| | A11 | black | | | |
| | C51 | graphite grey | | | |
| | S31 | savanna | | | |
| | G11 | metropole blue | | | |
| | J31 | nephrite green | | | |
| | M31 | boxster red | | | |
| | P12 | cinnamon brown | | | |
| | D12 | dark grey | | | |
| | T12 | brown/natural | | | |
| 4 | 996 555 188 03 | lining upper leather | /R | 1 | |
| | A11 | black | | | |

| | | | | | | | | | | | |
|-------|------|----|----|--------------|--------------|-----|-------|------------|---------|-----|---------|
| Model | Year | MG | SG | Illustration | Restrictions | UPD | 20:02 | 24.01.2010 | PORSCHE | PET | PORSCHE |
| 996T | 2005 | 8 | 07 | 807-05 | | 248 | | | | | |

| Pos | Part Number | Description | Remark | Qty | Model | Pos | Part Number | Description | Remark | Qty | Model |
|-----|----------------|----------------------------------|--------|-----|-------|------|----------------|-------------------------------|--------|-----|-------|
| | C51 | graphite grey | | | | (9) | 996 555 822 02 | bracket coat hook | /R | 1 | |
| | S31 | savanna | | | | (10) | 999 507 695 02 | speed nut 4,8 | | 2 | |
| | G11 | metropole blue | | | | 11 | 999 025 268 09 | washer 6,4 | | 2 | |
| | J31 | nephrite green | | | | 12 | 999 073 060 02 | tapping screw 4,8 X13 | | 2 | |
| | M31 | boxster red | | | | (13) | 996 555 183 05 | lining b-pillar leather | /L | 1 | |
| | P12 | cinnamon brown | | | | | A11 | black | | | |
| | D12 | dark grey | | | | | C51 | graphite grey | | | |
| | T12 | brown/natural | | | | | S31 | savanna | | | |
| - | 999 551 609 40 | plastic washer 8,0 X 23 X 3,0 | | 16 | | | G11 | metropole blue | | | |
| 5 | 999 507 676 09 | clamp 2,5/2,20 | | 2 | | | J31 | nephrite green | -03 | | |
| 5 | 999 507 479 09 | clamp 2,5/0,9 | | 4 | | | M31 | boxster red | | | |
| (6) | 996 555 545 01 | rosette | /L | 1 | TURBO | | P12 | cinnamon brown | | | |
| | A03 | black | | | | | D12 | dark grey | | | |
| 6 | 996 555 546 01 | rosette | /R | 1 | TURBO | | T12 | brown/natural | | | |
| | A03 | black | | | | (13) | 996 555 184 05 | lining b-pillar leather | /R | 1 | |
| (6) | 996 555 545 30 | rosette leather | /L | 1 | GT2 | | A11 | black | | | |
| | A11 | black | | | | | C51 | graphite grey | | | |
| 6 | 996 555 546 30 | rosette leather | /R | 1 | GT2 | | S31 | savanna | | | |
| | A11 | black | | | | | G11 | metropole blue | | | |
| 7 | 999 507 533 02 | clamp | | 2 | | | J31 | nephrite green | -03 | | |
| (8) | 996 555 645 00 | grille lacquered | /L | 1 | | | M31 | boxster red | | | |
| | A03 | black | | | | | P12 | cinnamon brown | | | |
| 8 | 996 555 646 00 | grille lacquered | /R | 1 | | | D12 | dark grey | | | |
| | A03 | black | | | | | T12 | brown/natural | | | |
| (9) | 996 555 821 02 | bracket | /L | 1 | | | | | | | |

| | | | | | | | | | | | |
|-------|------|----|----|--------------|--------------|-----|-------|------------|---------|-----|---------|
| Model | Year | MG | SG | Illustration | Restrictions | UPD | 20:02 | 24.01.2010 | PORSCHE | PET | PORSCHE |
| 996T | 2005 | 8 | 07 | 807-05 | | 248 | | | | | |

| Pos | Part Number | Description | Remark | Qty | Model | Pos | Part Number | Description | Remark | Qty | Model |
|------|----------------|-----------------------------|--------|-----|---------|------|----------------|-----------------------------------|--------|-----|---------|
| 14 | 999 073 130 02 | oval-head screw M 6 X 16 | | 2 | | | DGA | boxster red | | | |
| (15) | 996 555 071 11 | side trim panel leather | /L | -02 | 1 TURBO | | FEK | cinnamon brown | | | |
| | EVS | black | | | | | VRT | dark grey/natural | | | |
| | DFV | graphite grey | | | | 15 | 996 555 072 16 | side trim panel leather | /R | 03- | 1 TURBO |
| | DFW | savanna | | | | | EVS | black | | | |
| | DFX | metropole blue | | | | | DFV | graphite grey | | | |
| | DFZ | nephrite green | | | | | DFW | savanna | | | |
| | DGA | boxster red | | | | | DFX | metropole blue | | | |
| | FEK | cinnamon brown | | | | | DFZ | nephrite green | | | |
| | VRT | dark grey/natural | | | | | DGA | boxster red | | | |
| | VRU | brown/natural | | | | | FEK | cinnamon brown | | | |
| 15 | 996 555 072 11 | side trim panel leather | /R | -02 | 1 TURBO | | VRT | dark grey/natural | | | |
| | EVS | black | | | | | VRU | brown/natural | | | |
| | DFV | graphite grey | | | | (15) | 996 555 071 91 | side trim panel leather | /L | 01- | 1 GT2 |
| | DFW | savanna | | | | | EVS | black | | | |
| | DFX | metropole blue | | | | | VRT | dark grey/natural | | 02- | |
| | DFZ | nephrite green | | | | | VRU | brown/natural | | 02- | |
| | DGA | boxster red | | | | 15 | 996 555 072 91 | side trim panel leather | /R | 01- | 1 GT2 |
| | FEK | cinnamon brown | | | | | EVS | black | | | |
| | VRT | dark grey/natural | | | | | VRT | dark grey/natural | | 02- | |
| | VRU | brown/natural | | | | | VRU | brown/natural | | 02- | |
| (15) | 996 555 071 16 | side trim panel leather | /L | 03- | 1 TURBO | -- | 999 551 609 40 | plastic washer 8,0 X 23 X 3,0 | | | 6 |
| | EVS | black | | | | (16) | 996 555 061 00 | rosette seat belt lacquered | /L | | 1 |
| | DFV | graphite grey | | | | | A03 | black | | | |
| | DFW | savanna | | | | | C53 | graphite grey | | | |
| | DFX | metropole blue | | | | | | | | | |
| | DFZ | nephrite green | | | | | | | | | |

| | | | | | | | | | | | |
|-------|------|----|----|--------------|--------------|-----|-------|------------|---------|-----|---------|
| Model | Year | MG | SG | Illustration | Restrictions | UPD | 20:02 | 24.01.2010 | PORSCHE | PET | PORSCHE |
| 996T | 2005 | 8 | 07 | 807-05 | | 248 | | | | | |

| Pos | Part Number | Description | Remark | Qty | Model | Pos | Part Number | Description | Remark | Qty | Model |
|------|----------------|-----------------------------------|--------|-----|-------|------|----------------|---------------------|--------|-----|-------|
| | S33 | savanna | | | | | A03 | black | | | |
| | G13 | metropole blue | | | | | C53 | graphite grey | | | |
| | J33 | nephrite green | | | | | S33 | savanna | | | |
| | M33 | boxster red | | | | | G13 | metropole blue | | | |
| | P13 | cinnamon brown | | | | | J33 | nephrite green | | | |
| 16 | 996 555 062 00 | rosette seat belt lacquered | /R | 1 | | | M33 | boxster red | | | |
| | A03 | black | | | | 21 | 999 507 050 40 | expander nut 4,2 | | 2 | |
| | C53 | graphite grey | | | | 24 | 996 551 021 09 | adhesive carpet | 01 | 1 | TURBO |
| | S33 | savanna | | | | | A10 | black | | | |
| | G13 | metropole blue | | | | | C50 | graphite grey | | | |
| | J33 | nephrite green | | | | | S30 | savanna | | | |
| | M33 | boxster red | | | | | G10 | metropole blue | | | |
| | P13 | cinnamon brown | | | | | J30 | nephrite green | | | |
| 17 | 999 507 533 02 | clamp 4,2 X 19 | | 2 | | | M30 | boxster red | | | |
| 18 | 999 507 050 40 | expander nut 4,2 4,2 X 19 | | 2 | | | P11 | cinnamon brown | | | |
| 19 | 999 073 079 02 | tapping screw 4,2 X 19 | | 2 | | | D11 | dark grey/natural | | | |
| (20) | 996 555 571 02 | coat hook lacquered | /L | 1 | | (24) | 996 551 021 05 | adhesive carpet | 02- | 1 | |
| | A03 | black | | | | | A10 | black | | | |
| | C53 | graphite grey | | | | | C50 | graphite grey | | | |
| | S33 | savanna | | | | | S30 | savanna | | | |
| | G13 | metropole blue | | | | | G10 | metropole blue | | | |
| | J33 | nephrite green | | | | | J30 | nephrite green | | | |
| | M33 | boxster red | | | | | M30 | boxster red | | | |
| | P13 | cinnamon brown | | | | | P11 | cinnamon brown | | | |
| 20 | 996 555 572 02 | coat hook lacquered | /R | 1 | | | D11 | dark grey/natural | | | |
| | | | | | | | T11 | brown/natural | | | |

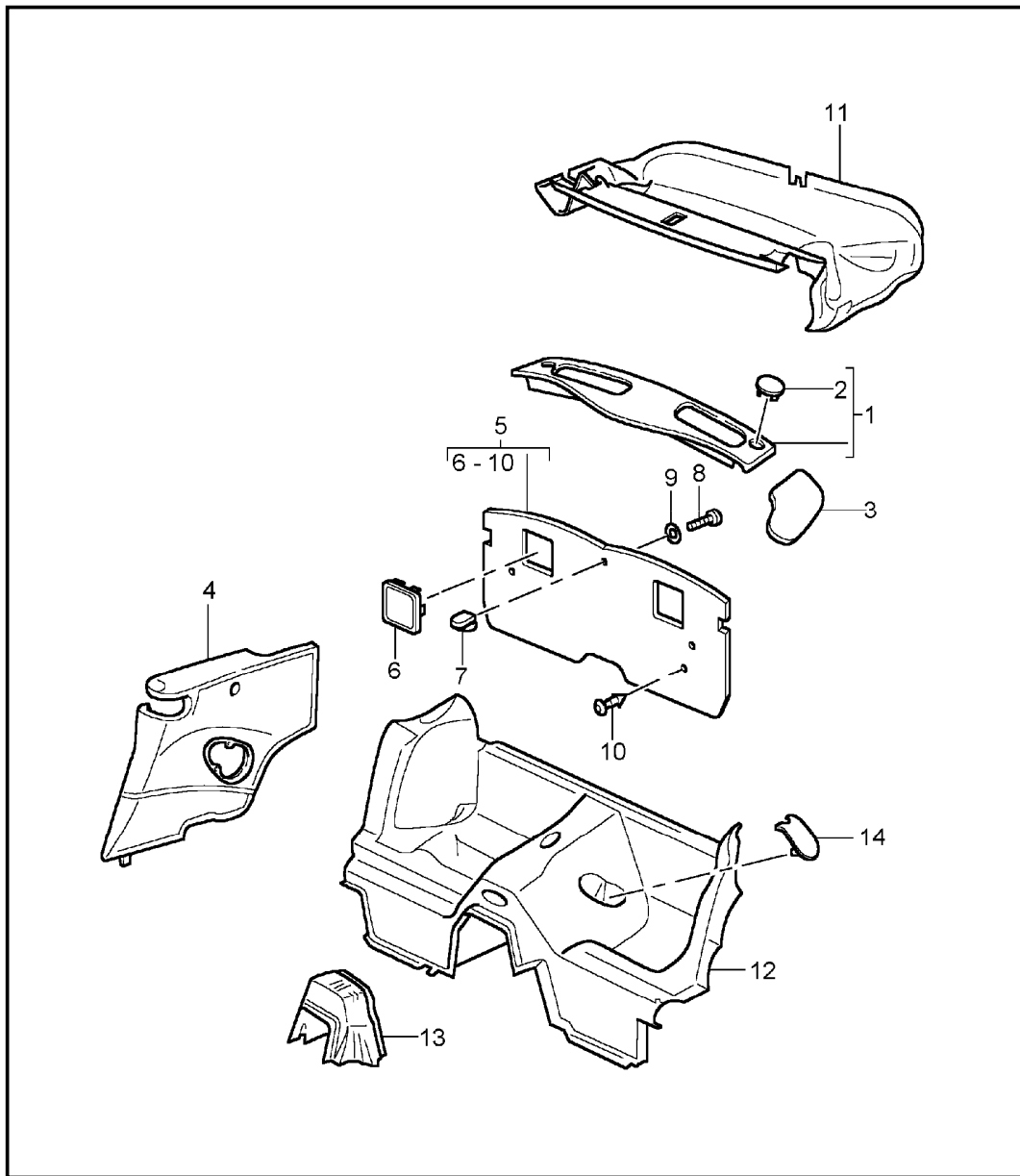
| | | | | | | | | | | | |
|-------|------|----|----|--------------|--------------|-----|-------|------------|---------|-----|---------|
| Model | Year | MG | SG | Illustration | Restrictions | UPD | 20:02 | 24.01.2010 | PORSCHE | PET | PORSCHE |
| 996T | 2005 | 8 | 07 | 807-05 | | 248 | | | | | |

| Pos | Part Number | Description | Remark | Qty | Model | Pos | Part Number | Description | Remark | Qty | Model |
|-----|----------------|--|--------|-----|---------------|-----|----------------|--|--------|-----|---------------|
| | | seat well carpet | | | | 25 | 996 551 031 17 | adhesive carpet rear wall carpet | 02- | 1 | TURBO |
| 24 | 996 551 021 91 | adhesive carpet rear wall | | 1 | GT2 | | A10 | black | | | |
| | A10 | black | | | | | C50 | graphite grey | | | |
| | D11 | dark grey/natural | 02- | | | | S30 | savanna | | | |
| | T11 | brown/natural | 02- | | | | G10 | metropole blue | | | |
| 25 | 996 551 031 04 | adhesive carpet rear wall carpet | 01 | 1 | TURBO | | J30 | nephrite green | | | |
| | A10 | black | | | | | M30 | boxster red | | | |
| | C50 | graphite grey | | | | | P11 | cinnamon brown | | | |
| | S30 | savanna | | | | | D11 | dark grey | | | |
| | G10 | metropole blue | | | | | T11 | brown/natural | | | |
| | J30 | nephrite green | | | | 25 | 996 551 031 18 | adhesive carpet rear wall carpet | 02- | 1 | TURBO M479 |
| | M30 | boxster red | | | | | A10 | black | | | |
| | P11 | cinnamon brown | | | | | C50 | graphite grey | | | |
| | D11 | dark grey | | | | | S30 | savanna | | | |
| | T11 | brown/natural | | | | | G10 | metropole blue | | | |
| 25 | 996 551 031 05 | adhesive carpet rear wall carpet | 01 | 1 | TURBO M479 | | J30 | nephrite green | | | |
| | A10 | black | | | | | M30 | boxster red | | | |
| | C50 | graphite grey | | | | | P11 | cinnamon brown | | | |
| | S30 | savanna | | | | | D11 | dark grey | | | |
| | G10 | metropole blue | | | | | T11 | brown/natural | | | |
| | J30 | nephrite green | | | | 25 | 996 551 031 90 | adhesive carpet rear wall | | 1 | GT2 |
| | M30 | boxster red | | | | | A10 | black | | | |
| | P11 | cinnamon brown | | | | -- | 996 551 551 00 | cover child car seat mount | | 2 | M113 |
| | D11 | dark grey | | | | -- | 996 551 561 00 | desk pad | | 1 | |
| | T11 | brown/natural | | | | 26 | 996 551 305 00 | logo | | 1 | TURBO |

| | | | | | | | | | | | |
|-------|------|----|----|--------------|--------------|-----|-------|------------|---------|-----|---------|
| Model | Year | MG | SG | Illustration | Restrictions | UPD | 20:02 | 24.01.2010 | PORSCHE | PET | PORSCHE |
| 996T | 2005 | 8 | 07 | 807-05 | | 248 | | | | | |

| Pos | Part Number | Description | Remark | Qty | Model | Pos | Part Number | Description | Remark | Qty | Model |
|------|----------------|-----------------------------------|--------|-----|-------|-----|----------------|---------------------------|--------|-----|-------|
| | A03 | black | | | | | C50 | graphite grey | | | |
| (26) | 996 551 305 91 | logo | | 1 | GT2 | | S30 | savanna | | | |
| | A03 | black | | | | | G10 | metropole blue | | | |
| 27 | 996 522 897 00 | clips nut | | 3 | | | J30 | nephrite green | -03 | | |
| 28 | 996 551 033 02 | lining control units carpet | 01 | 1 | | | M30 | boxster red | | | |
| | A10 | black | | | | | P11 | cinnamon brown | | | |
| | C50 | graphite grey | | | | | D11 | dark grey | | | |
| | S30 | savanna | | | | -- | T11 | brown/natural | | | |
| | G10 | metropole blue | | | | | 996 551 525 00 | cover seat-belt buckle | /L | 1 | |
| | J30 | nephrite green | -03 | | | | 01C | satin black | | | |
| | M30 | boxster red | | | | -- | 996 551 526 00 | cover seat-belt buckle | /R | 1 | |
| | P11 | cinnamon brown | | | | | 01C | satin black | | | |
| | D11 | dark grey | | | | | | | | | |
| | T11 | brown/natural | | | | | | | | | |
| 28 | 996 551 033 05 | lining control units carpet | 02- | 1 | | | | | | | |
| | A10 | black | | | | | | | | | |
| | C50 | graphite grey | | | | | | | | | |
| | S30 | savanna | | | | | | | | | |
| | G10 | metropole blue | | | | | | | | | |
| | J30 | nephrite green | -03 | | | | | | | | |
| | M30 | boxster red | | | | | | | | | |
| | P11 | cinnamon brown | | | | | | | | | |
| | D11 | dark grey | | | | | | | | | |
| | T11 | brown/natural | | | | | | | | | |
| (28) | 997 551 033 01 | lining control units carpet | 02- | 1 | M680 | | | | | | |
| | A10 | black | | | | | | | | | |

| | | | | | | | | | | | |
|-------|------|----|----|--------------|--------------|-----|-------|------------|---------|-----|---------|
| Model | Year | MG | SG | Illustration | Restrictions | UPD | 20:02 | 24.01.2010 | PORSCHE | PET | PORSCHE |
| 996T | 2005 | 8 | 07 | 807-07 | | 248 | | | | | |



| Pos | Part Number | Description | Remark | Qty | Model |
|-----|----------------|-----------------------------|--------|-----|--------|
| | | linings rear | 04- | | CABRIO |
| 1 | 996 555 083 04 | cover convertible top cloth | | 1 | |
| | EDK | black | | | |
| | EDL | graphite grey | | | |
| | ERN | metropole blue | | | |
| -- | 996 555 341 01 | flap cover | /L | 1 | |
| | A07 | black | | | |
| | C07 | graphite grey | | | |
| | G03 | metropole blue | | | |
| -- | 996 555 342 01 | flap cover | /R | 1 | |
| | A07 | black | | | |
| | C07 | graphite grey | | | |
| | G03 | metropole blue | | | |
| -- | 996 555 355 00 | hinge outer | | 2 | |
| -- | 996 555 356 00 | hinge inner | | 2 | |
| -- | 996 580 667 00 | support | | 2 | M439 |
| -- | 999 591 489 02 | speed nut ST 4,8 | | 2 | |
| -- | 999 073 060 02 | tapping screw ST 4,8 X 18 | | 3 | |
| 2 | 996 555 457 00 | lid lacquered | | 2 | |
| | A10 | black | | | |
| | C50 | graphite grey | | | |
| | G10 | metropole blue | | | |
| (3) | 996 555 263 03 | flap convertible top cloth | /L | 1 | |

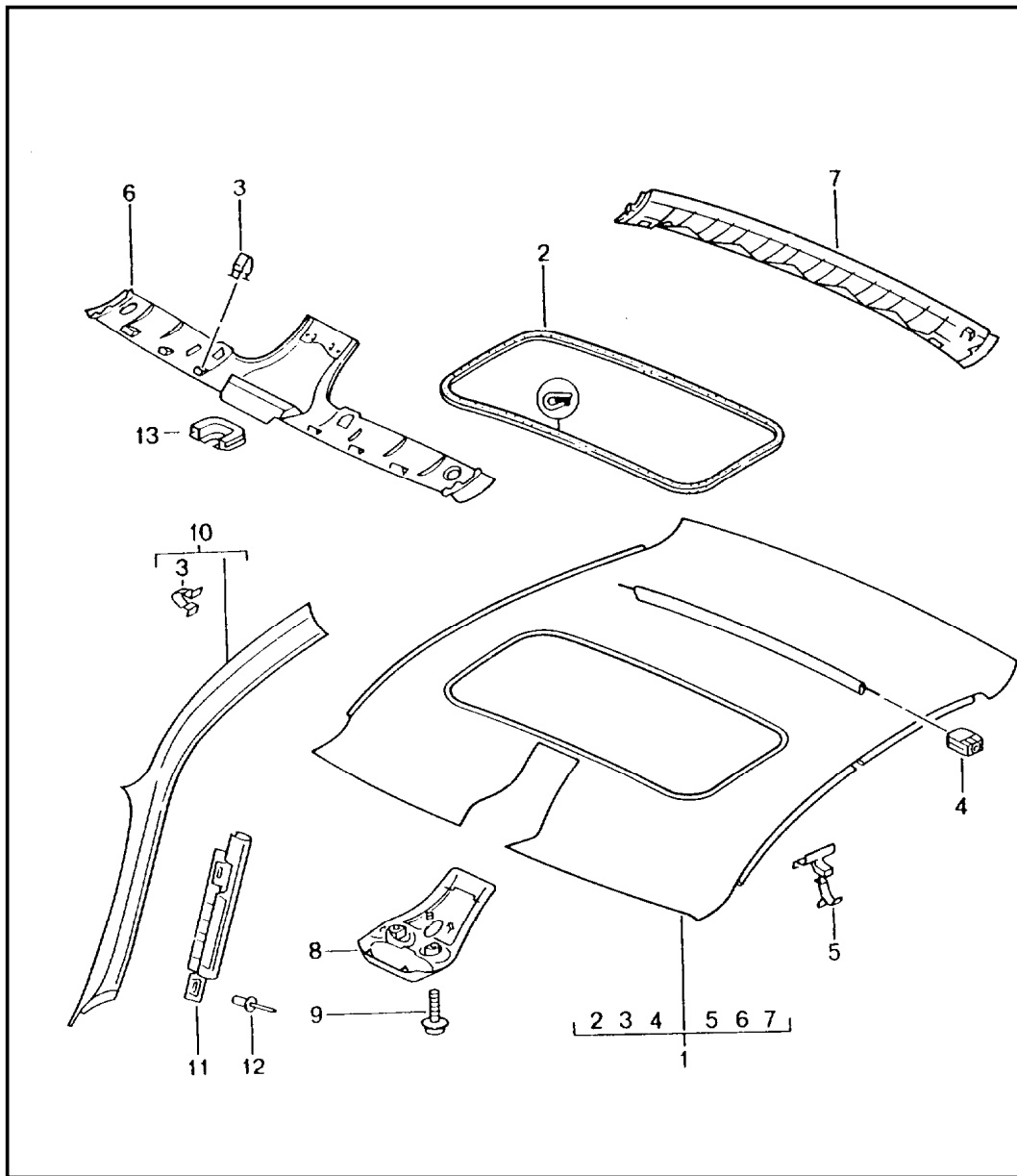
| | | | | | | | | | | | |
|-------|------|----|----|--------------|--------------|-----|-------|------------|---------|-----|---------|
| Model | Year | MG | SG | Illustration | Restrictions | UPD | 20:02 | 24.01.2010 | PORSCHE | PET | PORSCHE |
| 996T | 2005 | 8 | 07 | 807-07 | | 248 | | | | | |

| Pos | Part Number | Description | Remark | Qty | Model | Pos | Part Number | Description | Remark | Qty | Model |
|-----|----------------|----------------------------------|--------|-----|-------|-----|----------------|-----------------------------------|--------|-----|-------|
| | A07 | black | | | | -- | 999 507 676 09 | clamp 2,5/2,2 | | 2 | M981 |
| | C07 | graphite grey | | | | -- | 999 507 050 40 | expansion rivet | | 2 | |
| | G03 | metropole blue | | | | -- | 999 073 142 09 | tapping screw 4,2 X 19 | | 2 | |
| 3 | 996 555 264 03 | flap convertible top cloth | /R | 1 | | -- | 999 073 048 02 | tapping screw 3,5 X 13 | | 2 | |
| | A07 | black | | | | -- | 996 555 671 01 | rosette seat belt lacquered | /L | 1 | |
| | C07 | graphite grey | | | | | A03 | black | | | |
| (4) | 996 555 071 17 | side trim panel leather | /L | 1 | | | C53 | graphite grey | | | |
| | EVS | black | | | | | S33 | savanna | | | |
| | DFV | graphite grey | | | | | G13 | metropole blue | | | |
| | DFW | savanna | | | | | M33 | boxster red | | | |
| | DFX | metropole blue | | | | | P13 | cinnamon brown | | | |
| | DGA | boxster red | | | | -- | 996 555 672 01 | rosette seat belt lacquered | /R | 1 | |
| | FEK | cinnamon brown | | | | | A03 | black | | | |
| | VRT | dark grey/natural | | | | | C53 | graphite grey | | | |
| | VRU | brown/natural | | | | | S33 | savanna | | | |
| 4 | 996 555 072 17 | side trim panel leather | /R | 1 | | | G13 | metropole blue | | | |
| | EVS | black | | | | | M33 | boxster red | | | |
| | DFV | graphite grey | | | | | P13 | cinnamon brown | | | |
| | DFW | savanna | | | | -- | 999 507 533 02 | clamp | | 4 | |
| | DFX | metropole blue | | | | 5 | 996 555 281 06 | back wall lining carpet | | 1 | |
| | DGA | boxster red | | | | | A10 | black | | | |
| | FEK | cinnamon brown | | | | | C50 | graphite grey | | | |
| | VRT | dark grey/natural | | | | | S30 | savanna | | | |
| | VRU | brown/natural | | | | | G10 | metropole blue | | | |
| -- | 999 551 609 40 | plastic washer 8,0 X 23 X 3 | | 2 | M981 | | M30 | boxster red | | | |

| | | | | | | | | | | | |
|-------|------|----|----|--------------|--------------|-----|-------|------------|---------|-----|---------|
| Model | Year | MG | SG | Illustration | Restrictions | UPD | 20:02 | 24.01.2010 | PORSCHE | PET | PORSCHE |
| 996T | 2005 | 8 | 07 | 807-07 | | 248 | | | | | |

| Pos | Part Number | Description | Remark | Qty | Model | Pos | Part Number | Description | Remark | Qty | Model |
|------|----------------|---|--------|-----|-------|------|----------------|-------------------------------|--------|-----|-----------|
| | P11 | cinnamon brown | | | | | B04 | dark grey | | | |
| | D11 | dark grey/natural | | | | 12 | 996 551 021 07 | lining seat well carpet | | 1 | IXSN/M685 |
| | T11 | brown/natural | | | | | A10 | black | | | |
| (5) | 996 555 281 07 | back wall lining carpet | /RL | 1 | M479 | | C50 | graphite grey | | | |
| | A10 | black | | | | | S30 | savanna | | | |
| | C50 | graphite grey | | | | | G10 | metropole blue | | | |
| | S30 | savanna | | | | | M30 | boxster red | | | |
| | G10 | metropole blue | | | | | P11 | cinnamon brown | | | |
| | M30 | boxster red | | | | | D11 | dark grey/natural | | | |
| | P11 | cinnamon brown | | | | | T11 | brown/natural | | | |
| | D11 | dark grey/natural | | | | 13 | 996 551 221 01 | cover sensor | | 1 | |
| | T11 | brown/natural | | | | | | | | | |
| 6 | 996 555 785 00 | cover release carpet | /RL | 1 | M479 | 14 | 996 551 525 00 | cover seat-belt buckle | /L | 1 | |
| | EDA | black | | | | | 01C | satin black | | | |
| | EDB | graphite grey | | | | (14) | 996 551 526 00 | cover seat-belt buckle | /R | 1 | |
| | EDC | savanna | | | | | 01C | satin black | | | |
| | EDD | metropole blue | | | | | | | | | |
| | EDG | boxster red | | | | | | | | | |
| | FDJ | cinnamon brown | | | | | | | | | |
| | VSM | dark grey/natural | | | | | | | | | |
| | VSN | brown/natural | | | | | | | | | |
| 7 | 996 555 789 00 | base wind deflector | | 1 | | | | | | | |
| | 01C | satin black | | | | | | | | | |
| (10) | 999 073 062 02 | tapping screw 4,8 X 19 | | 2 | | | | | | | |
| 11 | 996 551 035 04 | lining convertible top frame carpet | | 1 | | | | | | | |

| | | | | | | | | | | | |
|-------|------|----|----|--------------|--------------|-----|-------|------------|---------|-----|---------|
| Model | Year | MG | SG | Illustration | Restrictions | UPD | 20:02 | 24.01.2010 | PORSCHE | PET | PORSCHE |
| 996T | 2005 | 8 | 07 | 807-08 | | 248 | | | | | |



| Pos | Part Number | Description | Remark | Qty | Model |
|-----|----------------|---|--------|-----|-------|
| | | rooflining | | | |
| (1) | 996 555 091 04 | rooflining | 01 | 1 | |
| | A14 | black | | | |
| | C54 | graphite grey | | | |
| | S34 | savanna | | | |
| | G14 | metropole blue | | | |
| | J34 | nephrite green | | | |
| 1 | 996 555 091 05 | rooflining | 01 | 1 | M650 |
| | A14 | black | | | |
| | C54 | graphite grey | | | |
| | S34 | savanna | | | |
| | G14 | metropole blue | | | |
| | J34 | nephrite green | | | |
| (1) | 996 555 091 06 | rooflining | 02-04 | 1 | |
| | A14 | black | | | |
| | C54 | graphite grey | | | |
| | S34 | savanna | | | |
| | G14 | metropole blue | | | |
| | J34 | nephrite green | | | |
| 1 | 996 555 091 07 | rooflining | 02-04 | 1 | M650 |
| | A14 | black | | | |
| | C54 | graphite grey | | | |
| | S34 | savanna | | | |
| | G14 | metropole blue | | | |
| | J34 | nephrite green | | | |
| 1 | 996 555 091 06 | rooflining alcantara valid up to: F >>995S6 80107 F >>995S6 95062 | 05 | 1 | M652 |
| | A14 | black | | | |

| | | | | | | | | | | | |
|-------|------|----|----|--------------|--------------|-----|-------|------------|---------|-----|---------|
| Model | Year | MG | SG | Illustration | Restrictions | UPD | 20:02 | 24.01.2010 | PORSCHE | PET | PORSCHE |
| 996T | 2005 | 8 | 07 | 807-08 | | 248 | | | | | |

| Pos | Part Number | Description | Remark | Qty | Model | Pos | Part Number | Description | Remark | Qty | Model |
|-----|----------------|---|--------|-----|---------------|-----|---|-------------|--------|-----|-------------|
| 1 | 996 555 091 07 | C54 graphite grey S34 savanna G14 metropole blue roofflining alcantara valid up to: F >>995S6 80107 F >>995S6 95062 A14 black | | 05 | TURBO M650 | | S31 savanna G11 metropole blue J31 nephrite green M31 boxer red P12 cinnamon brown D12 dark grey/natural T12 brown/natural | | | | |
| (1) | 997 555 091 00 | roofflining alcantara valid from: F 995S6 80108>> F 995S6 95063>> A14 black C54 graphite grey S34 savanna G14 metropole blue | | 05 | M652 | 1 | 996 555 982 03 roofflining leather A11 black C51 graphite grey S31 savanna G11 metropole blue J31 nephrite green M31 boxer red P12 cinnamon brown D12 dark grey/natural T12 brown/natural | -04 | | 1 | IXMA/M650 |
| 1 | 997 555 091 01 | roofflining alcantara valid from: F 995S6 80108>> F 995S6 95063>> A14 black C54 graphite grey S34 savanna G14 metropole blue | | 05 | TURBO M650 | (1) | 996 555 982 02 roofflining leather valid up to: F >>995S6 80107 F >>995S6 95062 F >>995S6 96063 A11 black C51 graphite grey S31 savanna G11 metropole blue M31 boxer red P12 cinnamon brown D12 dark grey/natural T12 brown/natural | | | 05 | 1 IXMA/M652 |
| (1) | 996 555 982 02 | roofflining leather A11 black C51 graphite grey | -04 | 1 | IXMA/M652 | | | | | | |

| | | | | | | | | | | | |
|-------|------|----|----|--------------|--------------|-----|-------|------------|---------|-----|---------|
| Model | Year | MG | SG | Illustration | Restrictions | UPD | 20:02 | 24.01.2010 | PORSCHE | PET | PORSCHE |
| 996T | 2005 | 8 | 07 | 807-08 | | 248 | | | | | |

| Pos | Part Number | Description | Remark | Qty | Model | Pos | Part Number | Description | Remark | Qty | Model |
|-----|----------------|---|--------|-----|-----------|-------|----------------|---|--------|-----|-------|
| (1) | 996 555 982 03 | roofflining leather valid up to: F >>9956S 80107 F >>995S6 95062 F >>995S6 96063 | 05 | 1 | IXMA/M650 | | G11 | metropole blue | | | |
| | A11 | black | | | | | M31 | boxster red | | | |
| | C51 | graphite grey | | | | | P12 | cinnamon brown | | | |
| | S31 | savanna | | | | | D12 | dark grey/natural | | | |
| | G11 | metropole blue | | | | | T12 | brown/natural | | | |
| | M31 | boxster red | | | | - | 999 551 609 40 | plastic washer 8,0 X 23 X 3,0 | | 6 | |
| | P12 | cinnamon brown | | | | 2 | 996 564 231 02 | pipng | | 1 | M650 |
| | D12 | dark grey/natural | | | | 3 | 999 507 479 09 | clamp 2,5/0,9 | | 3 | |
| | T12 | brown/natural | | | | (3) | 999 507 681 09 | clamp 2,5/3,0 | | 10 | |
| (1) | 997 555 980 00 | roofflining leather valid from: F 995S6 80108>> F 995S6 95063>> | 05- | 1 | IXMA/M652 | 4 | 996 555 823 00 | support transverse strut | | 2 | M650 |
| | A11 | black | | | | 5 | 996 555 691 02 | clip | | 8 | |
| | C51 | graphite grey | | | | (6) U | 996 555 553 08 | cover roofflining front | -04 | 1 | |
| | S31 | savanna | | | | 6 U | 996 555 553 09 | cover roofflining front | -04 | 1 | M650 |
| | G11 | metropole blue | | | | (6) U | 996 555 553 08 | cover roofflining front valid up to: F >>995S6 80107 F >>995S6 95062 | | 1 | M652 |
| | M31 | boxster red | | | | 6 U | 996 555 553 09 | cover roofflining front valid up to: F >>995S6 80107 F >>995S6 95062 | | 1 | M650 |
| | P12 | cinnamon brown | | | | (6) U | 997 555 591 00 | cover roofflining front valid from: F 995S6 80108>> F 995S6 95063>> | 05 | 1 | M652 |
| | D12 | dark grey/natural | | | | | | | | | |
| | T12 | brown/natural | | | | | | | | | |
| (1) | 997 555 980 01 | roofflining leather valid from: F 995S6 80108>> F 995S6 95063>> | 05- | 1 | IXMA/M650 | | | | | | |
| | A11 | black | | | | | | | | | |
| | C51 | graphite grey | | | | | | | | | |
| | S31 | savanna | | | | | | | | | |

| | | | | | | | | | | | |
|-------|------|----|----|--------------|--------------|-----|-------|------------|---------|-----|---------|
| Model | Year | MG | SG | Illustration | Restrictions | UPD | 20:02 | 24.01.2010 | PORSCHE | PET | PORSCHE |
| 996T | 2005 | 8 | 07 | 807-08 | | 248 | | | | | |

| Pos | Part Number | Description | Remark | Qty | Model | Pos | Part Number | Description | Remark | Qty | Model |
|-----|------------------|---|--------|-----|-------------------|-----|----------------|------------------------------------|--------|-----|-------------------|
| 6 | U 997 555 591 01 | cover rooflining front valid from: F 995S6 80108>> F 995S6 95063>> | 05 | 1 | M650 | | J33 | nephrite green | -03 | | |
| | | | | | | | M33 | boxster red | 01 | | |
| | | | | | | | P13 | cinnamon brown | 01 | | |
| (7) | 996 555 155 06 | cover rooflining | /H | 1 | | (8) | 996 555 557 11 | cover | 04- | 1 | TURBO M265/652 |
| 7 | 996 555 155 07 | cover rooflining | /H | 1 | M650 | | | interior light lacquered | | | |
| (8) | 996 555 557 05 | cover | | 1 | GT2 M652 | | A03 | black | | | |
| | | interior light lacquered | | | | | C53 | graphite grey | | | |
| | | A03 black | | | | | S33 | savanna | | | |
| (8) | 996 555 557 10 | cover | | 1 | GT2 M652 | (8) | 996 555 557 09 | cover | 01- | 1 | TURBO M265/650 |
| | | interior light lacquered | | | | | | interior light lacquered | | | |
| | | A03 black | | | | | A03 | black | | | |
| (8) | 996 555 557 06 | cover | | 1 | TURBO M650 | | C53 | graphite grey | | | |
| | | interior light | | | | | S33 | savanna | | | |
| | | A03 black | | | | | G13 | metropole blue | | | |
| | | C53 graphite grey | | | | | J33 | nephrite green | -03 | | |
| | | S33 savanna | | | | | M33 | boxster red | 01 | | |
| | | G13 metropole blue | | | | | P13 | cinnamon brown | 01 | | |
| | | J33 nephrite green | | | | 8 | 996 555 993 01 | cover interior light leather | | 1 | IXZD |
| | | M33 boxster red | | | | | | A11 black | | | |
| | | P13 cinnamon brown | | | | | | C51 graphite grey | | | |
| (8) | 996 555 557 08 | cover | | 1 | TURBO M265/652 | | | S31 savanna | | | |
| | | interior light lacquered | | | | | | G11 metropole blue | | | |
| | | A03 black | | | | | | J31 nephrite green | | | |
| | | C53 graphite grey | | | | | | M31 boxster red | | | |
| | | S33 savanna | | | | | | D12 dark grey | | | |
| | | G13 metropole blue | | | | | | T12 brown/natural | | | |

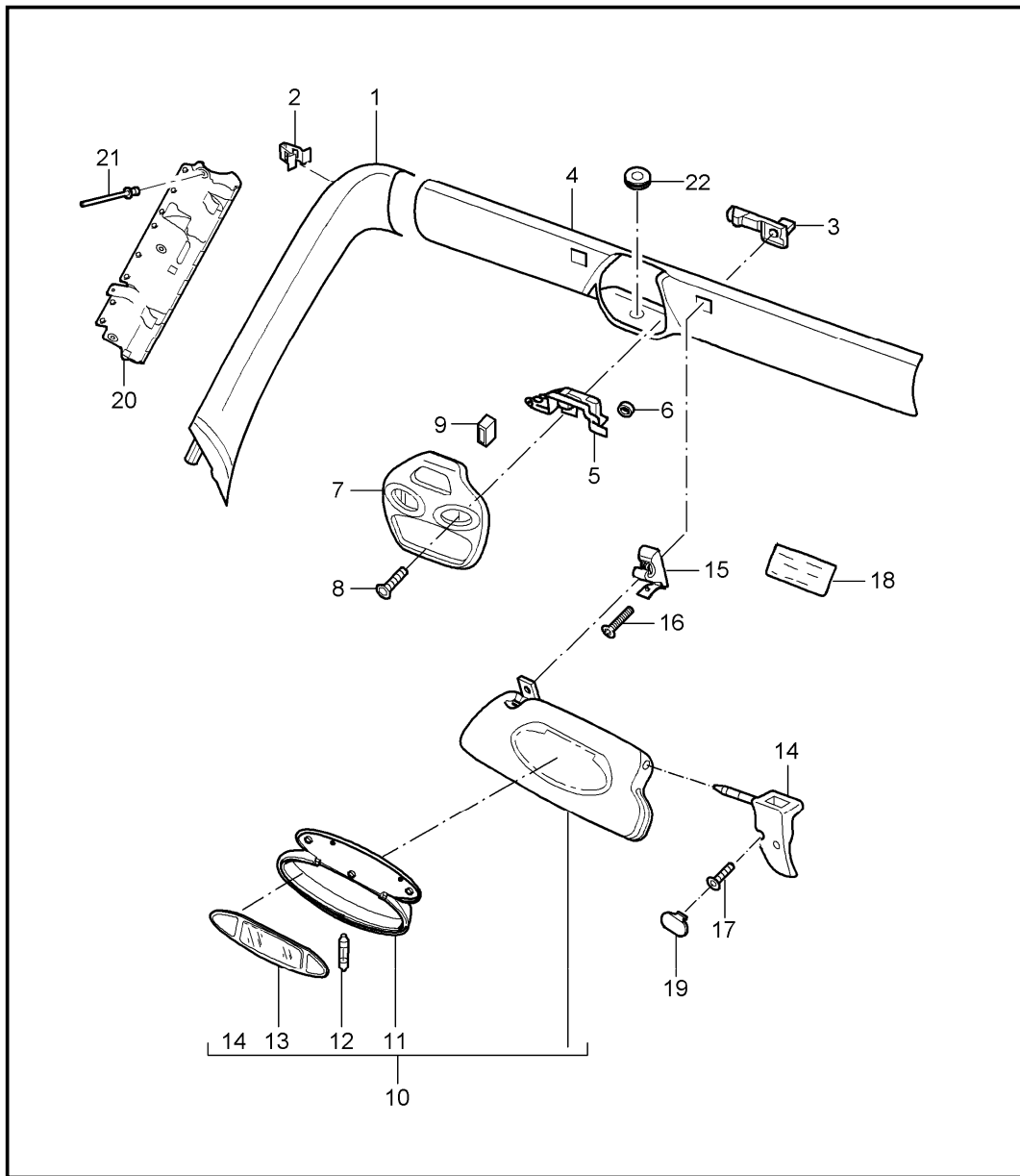
| | | | | | | | | | | | |
|-------|------|----|----|--------------|--------------|-----|-------|------------|---------|-----|---------|
| Model | Year | MG | SG | Illustration | Restrictions | UPD | 20:02 | 24.01.2010 | PORSCHE | PET | PORSCHE |
| 996T | 2005 | 8 | 07 | 807-08 | | 248 | | | | | |

| Pos | Part Number | Description | Remark | Qty | Model | Pos | Part Number | Description | Remark | Qty | Model |
|-----|----------------|--|--------|-----|--------------------|------|---|-------------|--------|-----|-------|
| (8) | 996 555 993 03 | P12 cinnamon brown cover interior light leather | | 1 | IXZD/M265 | | G11 metropole blue J31 nephrite green M31 boxster red D12 dark grey T12 brown/natural P12 cinnamon brown | | | | |
| (8) | 996 555 993 00 | P12 cinnamon brown cover interior light leather | | 1 | IXZD/M650 | (9) | 999 073 061 02 tapping screw 4,8 X 16 | | | 2 | |
| (8) | 996 555 993 02 | P12 cinnamon brown cover interior light leather | | 1 | IXZD/M265/ M650 | (10) | 996 555 181 09 lining a-pillar leather | /L | | 1 | |
| | | A11 black C51 graphite grey S31 savanna G11 metropole blue J31 nephrite green M31 boxster red D12 dark grey T12 brown/natural | | | | (10) | 996 555 182 09 lining a-pillar leather | /R | | 1 | |
| | | A11 black C51 graphite grey S31 savanna G11 metropole blue J31 nephrite green M31 boxster red P12 cinnamon brown D12 dark grey/natural T12 brown/natural | | | | | A11 black C51 graphite grey S31 savanna G11 metropole blue J31 nephrite green M31 boxster red P12 cinnamon brown D12 dark grey/natural | | | | |

| | | | | | | | | | | | |
|-------|------|----|----|--------------|--------------|-----|-------|------------|---------|-----|---------|
| Model | Year | MG | SG | Illustration | Restrictions | UPD | 20:02 | 24.01.2010 | PORSCHE | PET | PORSCHE |
| 996T | 2005 | 8 | 07 | 807-08 | | 248 | | | | | |

| Pos | Part Number | Description | Remark | Qty | Model | Pos | Part Number | Description | Remark | Qty | Model |
|------|----------------|--|--------|-----|-------|-----|-------------|-------------|--------|-----|-------|
| | T12 | brown/natural | | | | | | | | | |
| (11) | 996 555 291 00 | deformation element | /L | 1 | | | | | | | |
| 11 | 996 555 292 00 | deformation element | /R | 1 | | | | | | | |
| 12 | 999 190 167 30 | blind rivet 4,0 X 6,3 | | 10 | | | | | | | |
| -- | 999 551 138 40 | felt strip 25 X 25 X 1 | | 2 | | | | | | | |
| 13 | 996 555 619 00 | grommet wiring harness rain sensor | | 1 | M265 | | | | | | |

| | | | | | | | | | | | |
|-------|------|----|----|--------------|--------------|-----|-------|------------|---------|-----|---------|
| Model | Year | MG | SG | Illustration | Restrictions | UPD | 20:02 | 24.01.2010 | PORSCHE | PET | PORSCHE |
| 996T | 2005 | 8 | 07 | 807-09 | | 248 | | | | | |



| Pos | Part Number | Description | Remark | Qty | Model |
|-----|----------------|---|--------|-----|--------------------------|
| (1) | 996 555 181 11 | windscreen frame sun visors lining a-pillar leather A11 black C51 graphite grey S31 savanna G11 metropole blue M31 boxster red D12 dark grey/natural T12 brown/natural P12 cinnamon brown | /L | 04- | 1 CABRIO COUPE/CABRIO |
| (1) | 996 555 182 11 | lining a-pillar leather A11 black C51 graphite grey S31 savanna G11 metropole blue M31 boxster red D12 dark grey/natural T12 brown/natural P12 cinnamon brown | /R | 04- | 1 CABRIO |
| 2 | 999 507 574 02 | clamp 8 X 10/1,2 | | | 4 |
| 2 | 999 507 681 09 | clamp 2,5/3,00 | | | 10 |
| 3 | 986 731 541 01 | plate | | | 2 |
| 4 | 996 555 059 07 | lining windscreen frame leather A11 black | | 04- | 1 CABRIO M265 |

| | | | | | | | | | | | |
|-------|------|----|----|--------------|--------------|-----|-------|------------|---------|-----|---------|
| Model | Year | MG | SG | Illustration | Restrictions | UPD | 20:02 | 24.01.2010 | PORSCHE | PET | PORSCHE |
| 996T | 2005 | 8 | 07 | 807-09 | | 248 | | | | | |

| Pos | Part Number | Description | Remark | Qty | Model | Pos | Part Number | Description | Remark | Qty | Model | |
|------|----------------|---|--------|-----|---------------|------|----------------|--|--------|-----|---------------|---------------|
| | C51 | graphite grey | | | | | A12 | black | | | | |
| | S31 | savanna | | | | | C52 | graphite grey | | | | |
| | G11 | metropole blue | | | | | S32 | savanna | | | | |
| | M31 | boxster red | | | | | G12 | metropole blue | | | | |
| | D12 | dark grey/natural | | | | | J32 | nephrite green | | | | |
| | T12 | brown/natural | | | | (10) | 997 731 031 00 | sun visor | /L | 1 | COUPE M274 | |
| | P12 | cinnamon brown | | | | | | leatherette valid from: F 995S6 80108>> F 995S6 95063>> | | | | |
| 5 | 996 613 795 01 | microswitch convertible top catch | | 1 | CABRIO | | | | | | | |
| 6 | 999 507 534 02 | clamping washer 2,5 | | 2 | CABRIO | | A12 | black | | | | |
| 7 | 996 561 635 00 | cover interior light lacquered | | 1 | CABRIO | | C52 | graphite grey | | | | |
| | A09 | rally black | | | | | S32 | savanna | | | | |
| 8 | 999 073 166 09 | countersunk-head screw M 6 X 25 | | 2 | CABRIO | (10) | 997 731 032 00 | sun visor | /R | 1 | COUPE M274 | |
| 9 | 996 561 609 00 | cap mounting catch | | 1 | CABRIO | | | leatherette valid from: F 995S6 80108>> F 995S6 95063>> | | | | |
| (10) | 996 731 031 15 | sun visor | /L | 1 | COUPE M274 | | A12 | black | | | | |
| | | leatherette valid up to: F >>995S6 80107 F >>995S6 95062 | | | | | C52 | graphite grey | | | | |
| | A12 | black | | | | | S32 | savanna | | | | |
| | C52 | graphite grey | | | | (10) | 996 731 980 09 | sun visor | /L | 01- | 1 | COUPE IXMP |
| | S32 | savanna | | | | | | leather valid up to: F >>995S6 80107 F >>995S6 95062 | | | | |
| | G12 | metropole blue | | | | | VRK | black | | | | |
| | J32 | nephrite green | | | | | C51 | graphite grey | | | | |
| (10) | 996 731 032 15 | sun visor | /R | 1 | COUPE M274 | | S31 | savanna | | | | |
| | | leatherette valid up to: F >>995S6 80107 F >>995S6 95062 | | | | | J31 | nephrite green | | | | |
| | | | | | | | G11 | metropole blue | | | | |

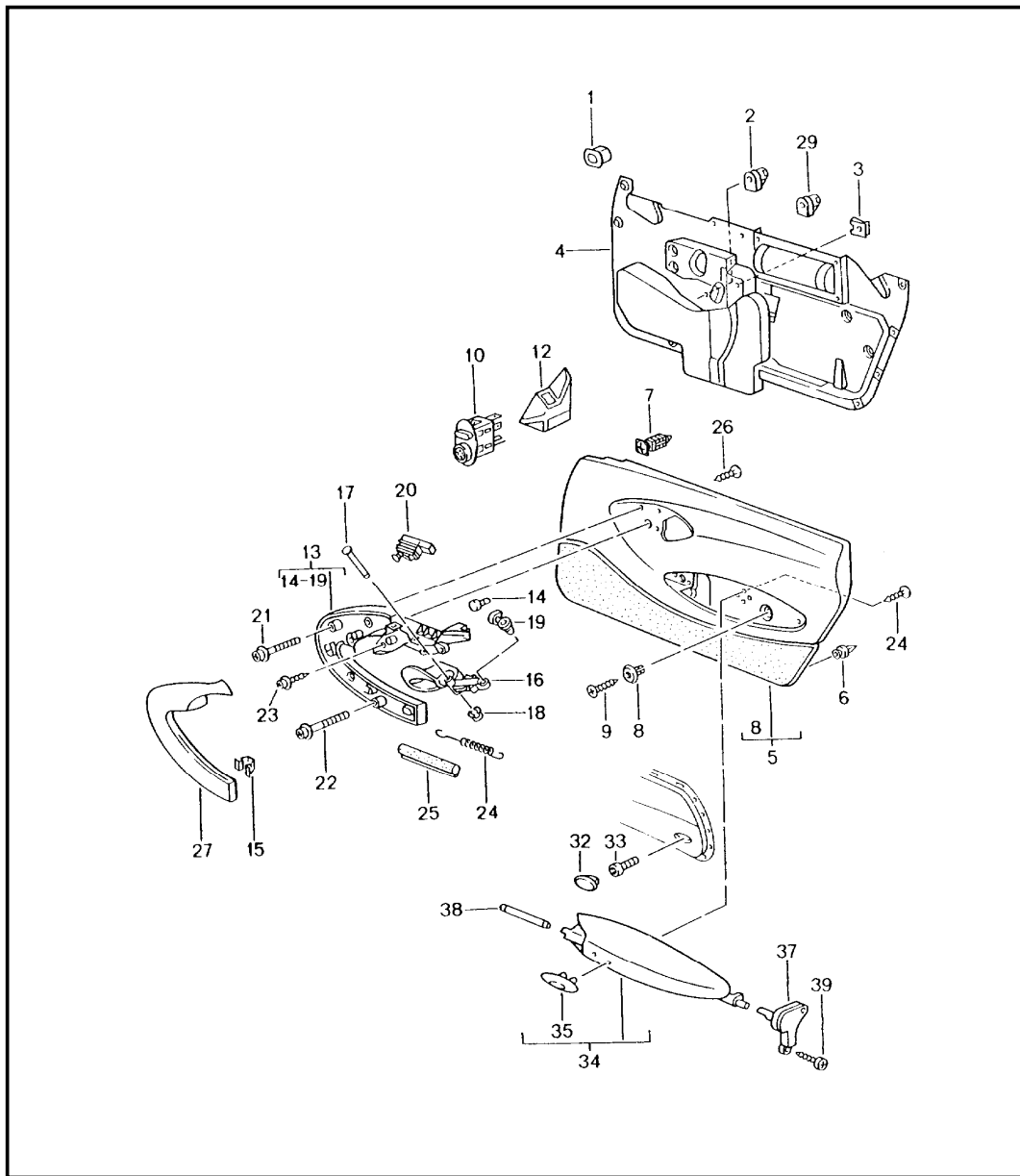
| | | | | | | | | | | | |
|-------|------|----|----|--------------|--------------|-----|-------|------------|---------|-----|---------|
| Model | Year | MG | SG | Illustration | Restrictions | UPD | 20:02 | 24.01.2010 | PORSCHE | PET | PORSCHE |
| 996T | 2005 | 8 | 07 | 807-09 | | 248 | | | | | |

| Pos | Part Number | Description | Remark | Qty | Model | Pos | Part Number | Description | Remark | Qty | Model |
|------|----------------|---|--------|-----|--------------|------|----------------|---|--------|-----|---------------|
| (10) | 996 731 981 09 | M31 boxster red D12 dark grey T12 brown/natural P12 cinnamon brown sun visor leather valid up to: F >>995S6 80107 F >>995S6 95062 VRK black C51 graphite grey S31 savanna J31 nephrite green G11 metropole blue M31 boxster red D12 dark grey T12 brown/natural P12 cinnamon brown | /R | 01- | 1 COUPE IXMP | (10) | 996 731 981 19 | sun visor leather valid from: F 995S6 80108>> F 995S6 95063>> VRK black C51 graphite grey S31 savanna G11 metropole blue M31 boxster red P12 cinnamon brown D12 dark grey/natural T12 brown/natural | /R | 1 | COUPE IXMP |
| (10) | 996 731 980 19 | sun visor leather valid from: F 995S6 80108>> F 995S6 95063>> VRK black C51 graphite grey S31 savanna G11 metropole blue M31 boxster red P12 cinnamon brown D12 dark grey/natural T12 brown/natural | /L | | 1 COUPE IXMP | (10) | 996 731 031 18 | sun visor leatherette A12 black C52 graphite grey S32 savanna G12 metropole blue | /L | 04- | 1 CABRIO M274 |
| | | | | | | 10 | 996 731 032 18 | sun visor leatherette A12 black C52 graphite grey S32 savanna G12 metropole blue | /R | 04- | 1 CABRIO M274 |
| | | | | | | (10) | 996 731 980 12 | sun visor leather VRK black C51 graphite grey S31 savanna | /L | 04- | 1 CABRIO IXMP |

| | | | | | | | | | | | |
|-------|------|----|----|--------------|--------------|-----|-------|------------|---------|-----|---------|
| Model | Year | MG | SG | Illustration | Restrictions | UPD | 20:02 | 24.01.2010 | PORSCHE | PET | PORSCHE |
| 996T | 2005 | 8 | 07 | 807-09 | | 248 | | | | | |

| Pos | Part Number | Description | Remark | Qty | Model | Pos | Part Number | Description | Remark | Qty | Model |
|------|----------------|----------------------------------|--------|-----|---------------|------|----------------|---|--------|-----|--------|
| | M31 | boxster red | | | | 15 | 996 731 341 00 | support sun visor | /L | 1 | |
| | G11 | metropole blue | | | | | 01C | satin black | | | |
| | D12 | dark grey | | | | (15) | 996 731 342 00 | support sun visor | /R | 1 | |
| | T12 | brown/natural | | | | | 01C | satin black | | | |
| | P12 | cinnamon brown | | | | | | | | | |
| 10 | 996 731 981 12 | sun visor leather | /R | 04- | 1 CABRIO IXMP | 16 | 999 073 139 02 | oval-head screw M 5 X 25 valid up to: F >>995S6 80107 F >>995S6 95062 | | 2 | COUPE |
| | VRK | black | | | | | | | | | |
| | C51 | graphite grey | | | | 16 | 999 073 326 09 | oval-head screw M 5 X 10 valid from: F 995S6 80108>> F 995S6 95063>> | | 2 | |
| | S31 | savanna | | | | | | | | | |
| | M31 | boxster red | | | | (16) | 999 500 093 02 | nut M 5 | | 2 | COUPE |
| | G11 | metropole blue | | | | | | | | | |
| | D12 | dark grey | | | | 17 | 999 073 166 09 | countersunk-head screw M 6 X 25 | 04- | 4 | CABRIO |
| | T12 | brown/natural | | | | | | | | | |
| | P12 | cinnamon brown | | | | 18 | 996 701 401 12 | sticker convertible top control german | 04- | 1 | CABRIO |
| 11 | 996 731 903 00 | mirror housing with illumination | | 1 | | 18 | 996 701 401 13 | sticker convertible top control english | 04- | 1 | CABRIO |
| | 01C | satin black | | | | | | | | | |
| 12 | 999 631 137 90 | bulb 3 W | | -01 | 4 M274 | 19 | 996 561 613 00 | cover mounting | | 2 | CABRIO |
| 12 | 999 631 147 90 | bulb 3 W | | 02- | 4 M274 | | 01C | satin black | | | |
| 13 | 996 731 531 01 | mirror glass with frame | | 2 | M274 | 20 | 996 555 291 00 | deformation element | /L | 00- | 1 |
| | 01C | satin black | | | | 20 | 996 555 292 00 | deformation element a-pillar | /R | 00- | 1 |
| (14) | 996 561 607 01 | mounting | /L | 04- | 1 CABRIO | 21 | 999 190 167 30 | blind rivet 4,0 X 6,3 | 00- | 10 | |
| | A09 | rally black | | | | 22 | 996 555 619 00 | grommet wiring harness rain sensor | 01- | 1 | M265 |
| 14 | 996 561 608 01 | mounting | /R | 04- | 1 CABRIO | | | | | | |
| | A09 | rally black | | | | | | | | | |

| | | | | | | | | | | | |
|-------|------|----|----|--------------|--------------|-----|-------|------------|---------|-----|---------|
| Model | Year | MG | SG | Illustration | Restrictions | UPD | 20:02 | 24.01.2010 | PORSCHE | PET | PORSCHE |
| 996T | 2005 | 8 | 07 | 807-10 | | 248 | | | | | |



| Pos | Part Number | Description | Remark | Qty | Model |
|-----|----------------|-----------------------------|--------|-----|----------------|
| | | door trim panel accessories | | | |
| 1 | 191 853 615 A | grommet | | 3 | |
| 4 | 996 555 831 05 | seal | /L | 1 | |
| (4) | 996 555 832 05 | seal | | 1 | |
| | | use also: | | | |
| - | 000 043 101 00 | sealing cord | | 1 | |
| (5) | 996 555 121 05 | door trim panel | /L | -02 | 1 GT2 M563 |
| | | leather | | | |
| | | ETC black | | | |
| | | VRV dark grey/natural | | | |
| | | VRW brown/natural | | | |
| (5) | 996 555 122 05 | door trim panel | /R | -02 | 1 GT2 M563 |
| | | leather | | | |
| | | ETC black | | | |
| | | VRV dark grey/natural | | | |
| | | VRW brown/natural | | | |
| (5) | 996 555 121 08 | door trim panel | /L | 03- | 1 GT2 M563 |
| | | leather | | | |
| | | ETC black | | | |
| | | VRV dark grey/natural | | | |
| | | VRW brown/natural | | | |
| (5) | 996 555 122 08 | door trim panel | /R | 03- | 1 GT2 M563 |
| | | leather | | | |
| | | ETC black | | | |
| | | VRV dark grey/natural | | | |
| | | VRW brown/natural | | | |
| (5) | 996 555 121 07 | door trim panel | /L | -02 | 1 M490/563/680 |
| | | leather | | | |
| | | ETC black | | | |

| | | | | | | | | | | | |
|-------|------|----|----|--------------|--------------|-----|-------|------------|---------|-----|---------|
| Model | Year | MG | SG | Illustration | Restrictions | UPD | 20:02 | 24.01.2010 | PORSCHE | PET | PORSCHE |
| 996T | 2005 | 8 | 07 | 807-10 | | 248 | | | | | |

| Pos | Part Number | Description | Remark | Qty | Model | Pos | Part Number | Description | Remark | Qty | Model |
|-----|----------------|-------------------------|--------|-----|-------|--------------|----------------|------------------------------|--------|-----|----------|
| | ETD | graphite grey | | | | (5) | 996 555 122 09 | door trim panel leather | /R 03- | 1 | M563/680 |
| | ETE | savanna | | | | | ETC | black | | | |
| | ETF | metropole blue | | | | | ETD | graphite grey | | | |
| | ETG | nephrite green | | | | | ETE | savanna | | | |
| | ETH | boxster red | | | | | ETF | metropole blue | | | |
| | VRV | dark grey/natural | | | | | ETG | nephrite green | | | |
| | VRW | brown/natural | | | | | ETH | boxster red | | | |
| | FEL | cinnamon brown | | | | | FEL | cinnamon brown | | | |
| (5) | 996 555 122 07 | door trim panel leather | /R | -02 | 1 | M490/563/680 | VRV | dark grey/natural | | | |
| | ETC | black | | | | | VRW | brown/natural | | | |
| | ETD | graphite grey | | | | - | 999 911 688 40 | adhesive tape 10 X 0,1 X 370 | | 4 | |
| | ETE | savanna | | | | 6 | 999 507 582 40 | clip white 8,0 X 0,9 | | 8 | |
| | ETF | metropole blue | | | | 7 | 999 507 651 40 | expander nut 9,0 X 0,9 | | 2 | |
| | ETG | nephrite green | | | | 8 | 999 507 427 40 | expander nut 6,3 | -04 | 2 | |
| | ETH | boxster red | | | | 10 | 996 613 241 00 | switch door mirror | | 1 | |
| | VRV | dark grey/natural | | | | | 01C | satin black | | | |
| | VRW | brown/natural | | | | (12) | 996 555 651 03 | lining door mirror | /LL/L | 1 | |
| (5) | 996 555 121 09 | door trim panel leather | /L | 03- | 1 | M563/680 | A03 | black | | | |
| | ETC | black | | | | | C53 | graphite grey | | | |
| | ETD | graphite grey | | | | | S33 | savanna | | | |
| | ETE | savanna | | | | | G13 | metropole blue | | | |
| | ETF | metropole blue | | | | | J33 | nephrite green | | | |
| | ETG | nephrite green | | | | | M33 | boxster red | | | |
| | ETH | boxster red | | | | | P13 | cinnamon brown | | | |
| | FEL | cinnamon brown | | | | | | | | | |
| | VRV | dark grey/natural | | | | | | | | | |
| | VRW | brown/natural | | | | | | | | | |

| | | | | | | | | | | | |
|-------|------|----|----|--------------|--------------|-----|-------|------------|---------|-----|---------|
| Model | Year | MG | SG | Illustration | Restrictions | UPD | 20:02 | 24.01.2010 | PORSCHE | PET | PORSCHE |
| 996T | 2005 | 8 | 07 | 807-10 | | 248 | | | | | |

| Pos | Part Number | Description | Remark | Qty | Model | Pos | Part Number | Description | Remark | Qty | Model |
|------|----------------|-----------------------|--------|-----|-------------------|------|----------------|-------------------|--------|-----|-------------------|
| (12) | 996 555 652 03 | lining door mirror | /RL/R | 1 | | | S31 | savanna | | | |
| | A03 | black | | | | | G11 | metropole blue | | | |
| | C53 | graphite grey | | | | | J31 | nephrite green | | | |
| | S33 | savanna | | | | | M31 | boxster red | | | |
| | G13 | metropole blue | | | | | D12 | dark grey/natural | | | |
| | J33 | nephrite green | | | | | T12 | brown/natural | | | |
| | M33 | boxster red | | | | | P12 | cinnamon brown | | | |
| | P13 | cinnamon brown | | | | | P12 | cinnamon brown | | | |
| (12) | 996 555 652 02 | lining | /LL/R | 1 | | (12) | 996 555 984 01 | lining | /LL/R | 1 | TURBO IXTF/XTR |
| | A03 | black | | | | | | leather | | | |
| | C53 | graphite grey | | | | | A11 | black | | | |
| | S33 | savanna | | | | | C51 | graphite grey | | | |
| | G13 | metropole blue | | | | | S31 | savanna | | | |
| | J33 | nephrite green | | | | | G11 | metropole blue | | | |
| | M33 | boxster red | | | | | J31 | nephrite green | | | |
| | P13 | cinnamon brown | | | | | M31 | boxster red | | | |
| (12) | 996 555 651 02 | lining door mirror | /RL/L | 1 | | | D12 | dark grey/natural | | | |
| | A03 | black | | | | | T12 | brown/natural | | | |
| | C53 | graphite grey | | | | | P12 | cinnamon brown | | | |
| | S33 | savanna | | | | | P12 | cinnamon brown | | | |
| | G13 | metropole blue | | | | (12) | 996 555 983 01 | lining | /RL/L | 1 | TURBO IXTF/XTR |
| | J33 | nephrite green | | | | | | leather | | | |
| | M33 | boxster red | | | | | A11 | black | | | |
| | P13 | cinnamon brown | | | | | C51 | graphite grey | | | |
| (12) | 996 555 983 00 | lining | /LL/L | 1 | TURBO IXTF/XTR | | S31 | savanna | | | |
| | | leather | | | | | G11 | metropole blue | | | |
| | A11 | black | | | | | J31 | nephrite green | | | |
| | C51 | graphite grey | | | | | M31 | boxster red | | | |
| | | | | | | | D12 | dark grey/natural | | | |

| | | | | | | | | | | | |
|-------|------|----|----|--------------|--------------|-----|-------|------------|---------|-----|---------|
| Model | Year | MG | SG | Illustration | Restrictions | UPD | 20:02 | 24.01.2010 | PORSCHE | PET | PORSCHE |
| 996T | 2005 | 8 | 07 | 807-10 | | 248 | | | | | |

| Pos | Part Number | Description | Remark | Qty | Model | Pos | Part Number | Description | Remark | Qty | Model | | | | | | |
|-----------------------|-----------------------|-----------------------|--------|-----|---------------------|---------------------|----------------|-----------------------|-----------------------|-------|-------|---------------------|---------------------|-------|----|---------------------|--|
| (12) | 996 555 984 00 | T12 brown/natural | /RL/R | 1 | TURBO IXTF/XTR | (12) | 996 555 984 01 | A11 black | /LL/R | 02- | 1 | GT2 IXTF/XTL/XTR | | | | | |
| | | P12 cinnamon brown | | | | | | D12 dark grey/natural | | | | | 03- | | | | |
| | | P12 cinnamon brown | | | | | | T12 brown/natural | | | | | 03- | | | | |
| | | lining | | | | | | lining | | | | | | | | | |
| | | leather | | | | | | leather | | | | | | | | | |
| | | A11 black | | | | | | A11 black | | | | | | | | | |
| | | C51 graphite grey | | | | | | D12 dark grey/natural | | | | | 03- | | | | |
| | | S31 savanna | | | | | | T12 brown/natural | | | | | 03- | | | | |
| | | G11 metropole blue | | | | | | (12) 996 555 983 01 | | | | | /RL/L | 02- | 1 | GT2 IXTF/XTL/XTR | |
| | | J31 nephrite green | | | | | | lining | | | | | | | | | |
| M31 boxer red | leather | | | | | | | | | | | | | | | | |
| D12 dark grey/natural | A11 black | | | | | | | | | | | | | | | | |
| T12 brown/natural | D12 dark grey/natural | 03- | | | | | | | | | | | | | | | |
| P12 cinnamon brown | T12 brown/natural | 03- | | | | | | | | | | | | | | | |
| P12 cinnamon brown | (12) 996 555 984 00 | /RL/R | 02- | 1 | GT2 IXTF/XTL/XTR | | | | | | | | | | | | |
| (12) | 996 555 984 00 | lining | /RL/R | 02- | 1 | GT2 IXTF/XTL/XTR | (12) | 996 555 984 00 | leather | /RL/R | 02- | 1 | GT2 IXTF/XTL/XTR | | | | |
| | | leather | | | | | | | A11 black | | | | | | | | |
| | | A11 black | | | | | | | D12 dark grey/natural | | | | | 03- | | | |
| | | C51 graphite grey | | | | | | | T12 brown/natural | | | | | 03- | | | |
| | | S31 savanna | | | | | | | (13) 996 555 251 01 | | | | | /LL/L | 01 | 1 | |
| | | G11 metropole blue | | | | | | | inner door release | | | | | | | | |
| | | J31 nephrite green | | | | | | | leather | | | | | | | | |
| | | M31 boxer red | | | | | | | A11 black | | | | | | | | |
| | | D12 dark grey/natural | | | | | | | C51 graphite grey | | | | | | | | |
| | | T12 brown/natural | | | | | | | S31 savanna | | | | | | | | |
| P12 cinnamon brown | G11 metropole blue | | | | | | | | | | | | | | | | |
| P12 cinnamon brown | J31 nephrite green | | | | | | | | | | | | | | | | |
| (12) | 996 555 983 00 | lining | /LL/L | 02- | 1 | GT2 IXTF/XTL/XTR | (12) | 996 555 983 00 | M31 boxer red | /LL/L | 02- | 1 | GT2 IXTF/XTL/XTR | | | | |
| | | leather | | | | | | | P12 cinnamon brown | | | | | | | | |
| | | | | | | | | | P12 cinnamon brown | | | | | | | | |
| | | | | | | | | | D12 dark grey | | | | | | | | |
| | | | | | | | | | T12 brown/natural | | | | | | | | |
| | | | | | | | | | | | | | | | | | |

| | | | | | | | | | | | |
|-------|------|----|----|--------------|--------------|-----|-------|------------|---------|-----|---------|
| Model | Year | MG | SG | Illustration | Restrictions | UPD | 20:02 | 24.01.2010 | PORSCHE | PET | PORSCHE |
| 996T | 2005 | 8 | 07 | 807-10 | | 248 | | | | | |

| Pos | Part Number | Description | Remark | Qty | Model | Pos | Part Number | Description | Remark | Qty | Model |
|------|----------------|----------------------------|----------|-----|-------|------|----------------|----------------------------|----------|-----|-------|
| 13 | 996 555 252 01 | inner door release leather | /LL/R 01 | 1 | | | P12 | cinnamon brown | | | |
| | A11 | black | | | | | D12 | dark grey | | | |
| | C51 | graphite grey | | | | | T12 | brown/natural | | | |
| (13) | 996 555 251 02 | inner door release leather | /RL/L 01 | 1 | | (13) | 996 555 251 03 | inner door release leather | /LL/L 02 | 1 | |
| | A11 | black | | | | | A11 | black | | | |
| | C51 | graphite grey | | | | | C51 | graphite grey | | | |
| | S31 | savanna | | | | | S31 | savanna | | | |
| | G11 | metropole blue | | | | | G11 | metropole blue | | | |
| | J31 | nephrite green | | | | | J31 | nephrite green | | | |
| | M31 | boxster red | | | | | M31 | boxster red | | | |
| | P12 | cinnamon brown | | | | | P12 | cinnamon brown | | | |
| | D12 | dark grey | | | | | D12 | dark grey | | | |
| | T12 | brown/natural | | | | | T12 | brown/natural | | | |
| 13 | 996 555 252 02 | inner door release leather | /RL/R 01 | 1 | | 13 | 996 555 252 03 | inner door release leather | /LL/R 02 | 1 | |
| | A11 | black | | | | | A11 | black | | | |
| | C51 | graphite grey | | | | | C51 | graphite grey | | | |
| | S31 | savanna | | | | | S31 | savanna | | | |
| | G11 | metropole blue | | | | | G11 | metropole blue | | | |
| | J31 | nephrite green | | | | | J31 | nephrite green | | | |
| | M31 | boxster red | | | | | M31 | boxster red | | | |
| | P12 | cinnamon brown | | | | | P12 | cinnamon brown | | | |
| | D12 | dark grey | | | | | D12 | dark grey | | | |
| | T12 | brown/natural | | | | | T12 | brown/natural | | | |
| (13) | 996 555 251 04 | inner door release leather | /RL/L 02 | 1 | | (13) | 996 555 251 04 | inner door release leather | /RL/L 02 | 1 | |
| | A11 | black | | | | | A11 | black | | | |
| | C51 | graphite grey | | | | | C51 | graphite grey | | | |
| | S31 | savanna | | | | | S31 | savanna | | | |

| | | | | | | | | | | | |
|-------|------|----|----|--------------|--------------|-----|-------|------------|---------|-----|---------|
| Model | Year | MG | SG | Illustration | Restrictions | UPD | 20:02 | 24.01.2010 | PORSCHE | PET | PORSCHE |
| 996T | 2005 | 8 | 07 | 807-10 | | 248 | | | | | |

| Pos | Part Number | Description | Remark | Qty | Model | Pos | Part Number | Description | Remark | Qty | Model |
|------|----------------|----------------------------|--------|-----|-------|------|----------------|-------------------------------------|--------|-----|-------|
| | G11 | metropole blue | | | | | A11 | black | | | |
| | J31 | nephrite green | | | | | C51 | graphite grey | | | |
| | M31 | boxster red | | | | | S31 | savanna | | | |
| | P12 | cinnamon brown | | | | | G11 | metropole blue | | | |
| | D12 | dark grey | | | | | J31 | nephrite green | | | |
| | T12 | brown/natural | | | | | M31 | boxster red | | | |
| 13 | 996 555 252 04 | inner door release leather | /RL/R | 02 | 1 | | P12 | cinnamon brown | | | |
| | A11 | black | | | | | D12 | dark grey | | | |
| | C51 | graphite grey | | | | | T12 | brown/natural | | | |
| | S31 | savanna | | | | (13) | 996 555 251 06 | inner door release leather | /RL/L | 03- | 1 |
| | G11 | metropole blue | | | | | A11 | black | | | |
| | J31 | nephrite green | | | | | C51 | graphite grey | | | |
| | M31 | boxster red | | | | | S31 | savanna | | | |
| | P12 | cinnamon brown | | | | | G11 | metropole blue | | | |
| | D12 | dark grey | | | | | J31 | nephrite green | | | |
| | T12 | brown/natural | | | | | M31 | boxster red | | | |
| (13) | 996 555 251 05 | inner door release leather | /LL/L | 03- | 1 | | P12 | cinnamon brown | | | |
| | A11 | black | | | | | D12 | dark grey | | | |
| | C51 | graphite grey | | | | | T12 | brown/natural | | | |
| | S31 | savanna | | | | (13) | 996 555 252 06 | inner door release complete leather | /RL/R | 03- | 1 |
| | G11 | metropole blue | | | | | A11 | black | | | |
| | J31 | nephrite green | | | | | C51 | graphite grey | | | |
| | M31 | boxster red | | | | | S31 | savanna | | | |
| | P12 | cinnamon brown | | | | | G11 | metropole blue | | | |
| | D12 | dark grey | | | | | J31 | nephrite green | | | |
| | T12 | brown/natural | | | | | M31 | boxster red | | | |
| (13) | 996 555 252 05 | inner door release leather | /LL/R | 03- | 1 | | P12 | cinnamon brown | | | |

| | | | | | | | | | | | |
|-------|------|----|----|--------------|--------------|-----|-------|------------|---------|-----|---------|
| Model | Year | MG | SG | Illustration | Restrictions | UPD | 20:02 | 24.01.2010 | PORSCHE | PET | PORSCHE |
| 996T | 2005 | 8 | 07 | 807-10 | | 248 | | | | | |

| Pos | Part Number | Description | Remark | Qty | Model | Pos | Part Number | Description | Remark | Qty | Model |
|------|----------------|-----------------------------|--------|-----|-------|------|----------------|----------------------------|--------|-----|-------|
| | D12 | dark grey | | | | | C51 | graphite grey | | | |
| | T12 | brown/natural | | | | | S31 | savanna | | | |
| 14 | 999 703 440 40 | buffer 7 X 10 X 16 | | 2 | | | G11 | metropole blue | | | |
| 15 | 999 507 476 01 | clamp 8 X 10 X16 | | 12 | | | J31 | nephrite green | | | |
| (16) | 996 555 425 03 | handle | /L | -02 | 1 | | M31 | boxster red | | | |
| | V01 | silver | | | | | D12 | dark grey | | | |
| 16 | 996 555 426 03 | handle | /R | -02 | 1 | | T12 | brown/natural | | | |
| | V01 | silver | | | | 27 | P12 | cinnamon brown | | | |
| (16) | 996 555 425 04 | handle | /L | 03- | 1 | | 996 555 592 00 | cover handle leather | /R | 1 | |
| | V03 | silver | | | | | A11 | black | | | |
| 16 | 996 555 426 04 | handle | /R | 03- | 1 | | C51 | graphite grey | | | |
| | V03 | silver | | | | | S31 | savanna | | | |
| 17 | 999 166 084 02 | bolt 4 X 39 X 37 | | 2 | | | G11 | metropole blue | | | |
| 18 | 999 166 026 02 | lock 4 | | 2 | | | J31 | nephrite green | | | |
| (19) | 999 702 281 40 | grommet | | 2 | | | M31 | boxster red | | | |
| 20 | 996 613 123 00 | microswitch | | 2 | | | D12 | dark grey | | | |
| 21 | 999 073 113 09 | oval-head screw M 6 X 50 | | 2 | | | T12 | brown/natural | | | |
| 22 | 999 073 112 09 | oval-head screw M 6 X 80 | | 2 | | (27) | P12 | cinnamon brown | | | |
| 23 | 999 073 061 02 | tapping screw 4,8 X 16 | | 2 | | 27 | 996 555 988 02 | cover carbon | /L | 1 | IXTL |
| 24 | 999 522 015 00 | tension spring | | 2 | | | 996 555 989 02 | cover carbon | /R | 1 | IXTL |
| 25 | 996 555 635 00 | hose | | 2 | | 32 | 996 555 623 01 | cap | | -02 | 2 |
| 26 | 999 073 080 02 | tapping screw 4,2 X 16 | | 8 | | | V01 | silver | | | |
| (27) | 996 555 591 00 | cover handle leather | /L | 1 | | 32 | 996 555 623 02 | cap | | 03- | 2 |
| | A11 | black | | | | | V03 | silver | | | |
| | | | | | | 33 | 999 067 043 02 | pan-head screw M 5 X 10 | | | 1 |
| | | | | | | (34) | 996 555 221 00 | lid leather | /L | -02 | 1 |

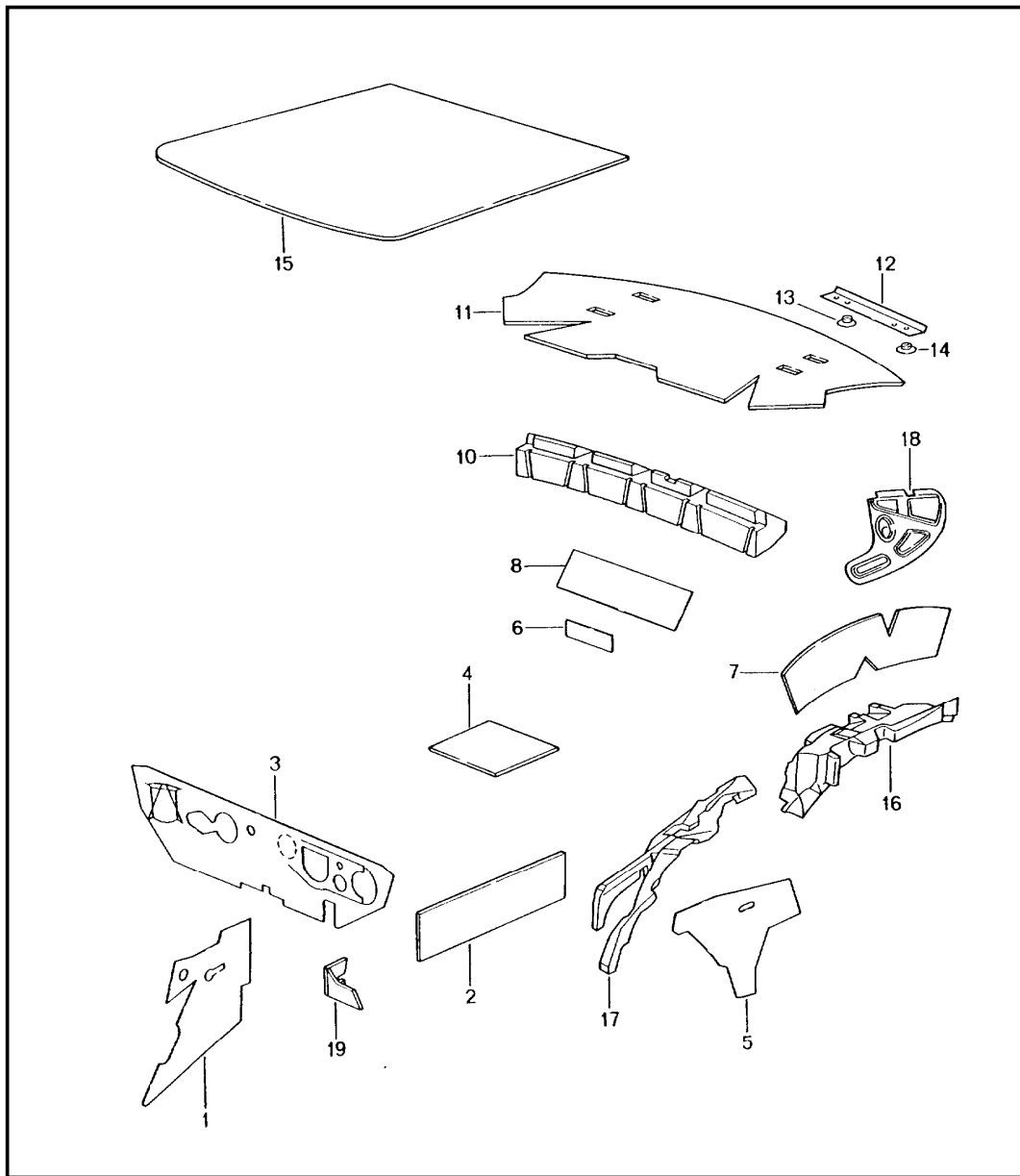
| | | | | | | | | | | | |
|-------|------|----|----|--------------|--------------|-----|-------|------------|---------|-----|---------|
| Model | Year | MG | SG | Illustration | Restrictions | UPD | 20:02 | 24.01.2010 | PORSCHE | PET | PORSCHE |
| 996T | 2005 | 8 | 07 | 807-10 | | 248 | | | | | |

| Pos | Part Number | Description | Remark | Qty | Model | Pos | Part Number | Description | Remark | Qty | Model |
|-----|----------------|-------------------|--------|-----|-------|------|----------------|--------------------|--------|-----|--------|
| | A11 | black | | | | | T12 | brown/natural | | | |
| | C51 | graphite grey | | | | (34) | 996 555 222 01 | lid leather | /R | 03- | 1 |
| | S31 | savanna | | | | | A11 | black | | | |
| | G11 | metropole blue | | | | | C51 | graphite grey | | | |
| | J31 | nephrite green | | | | | S31 | savanna | | | |
| | M31 | boxster red | | | | | G11 | metropole blue | | | |
| | D12 | dark grey | | | | | J31 | nephrite green | | | |
| | T12 | brown/natural | | | | | M31 | boxster red | | | |
| | P12 | cinnamon brown | | | | | P12 | cinnamon brown | | | |
| 34 | 996 555 222 00 | lid leather | /R | -02 | 1 | | D12 | dark grey/natural | | | |
| | A11 | black | | | | | T12 | brown/natural | | | |
| | C51 | graphite grey | | | | (34) | 996 555 980 00 | lid rootwood light | /L | -02 | 1 IXTJ |
| | S31 | savanna | | | | (34) | 996 555 980 04 | lid rootwood light | /L | 03- | 1 IXTJ |
| | G11 | metropole blue | | | | 34 | 996 555 981 00 | lid rootwood light | /R | -02 | 1 IXTJ |
| | J31 | nephrite green | | | | 34 | 996 555 981 04 | lid rootwood light | /R | 03- | 1 IXTJ |
| | M31 | boxster red | | | | (34) | 996 555 980 01 | lid rootwood dark | /L | -02 | 1 IXTK |
| | D12 | dark grey | | | | (34) | 996 555 980 05 | lid rootwood dark | /L | 03- | 1 IXTK |
| | T12 | brown/natural | | | | 34 | 996 555 981 01 | lid rootwood dark | /R | -02 | 1 IXTK |
| | P12 | cinnamon brown | | | | 34 | 996 555 981 05 | lid rootwood dark | /R | 03- | 1 IXTK |
| 34 | 996 555 221 01 | lid leather | /L | 03- | 1 | (34) | 996 555 980 02 | lid carbon | /L | -02 | 1 IXTL |
| | A11 | black | | | | | | | | | |
| | C51 | graphite grey | | | | | | | | | |
| | S31 | savanna | | | | | | | | | |
| | G11 | metropole blue | | | | | | | | | |
| | J31 | nephrite green | | | | | | | | | |
| | M31 | boxster red | | | | | | | | | |
| | P12 | cinnamon brown | | | | | | | | | |
| | D12 | dark grey/natural | | | | | | | | | |

| | | | | | | | | | | | |
|-------|------|----|----|--------------|--------------|-----|-------|------------|---------|-----|---------|
| Model | Year | MG | SG | Illustration | Restrictions | UPD | 20:02 | 24.01.2010 | PORSCHE | PET | PORSCHE |
| 996T | 2005 | 8 | 07 | 807-10 | | 248 | | | | | |

| Pos | Part Number | Description | Remark | Qty | Model | Pos | Part Number | Description | Remark | Qty | Model |
|------|----------------|---------------------|--------|-----|-------|------|-------------|-------------|--------|-----|-------|
| 34 | 996 555 981 02 | lid carbon | /R | -02 | 1 | IXTL | | | | | |
| (34) | 996 555 980 06 | lid carbon | /L | 03- | 1 | | | | | | |
| (34) | 996 555 981 06 | lid carbon | /R | 03- | 1 | | | | | | |
| -- | 996 555 483 00 | buffer | | | 4 | | | | | | |
| 35 | 996 555 611 01 | handle lacquered | | -02 | 2 | | | | | | |
| | V01 | silver | | | | | | | | | |
| 35 | 996 555 611 02 | handle lacquered | | 03- | 2 | | | | | | |
| | V03 | sport silver | | | | | | | | | |
| (37) | 996 555 441 00 | closing element | /L | | 1 | | | | | | |
| 37 | 996 555 442 00 | closing element | /R | | 1 | | | | | | |
| 38 | 999 094 018 00 | bolt | | | 2 | | | | | | |

| | | | | | | | | | | | |
|-------|------|----|----|--------------|--------------|-----|-------|------------|---------|-----|---------|
| Model | Year | MG | SG | Illustration | Restrictions | UPD | 20:02 | 24.01.2010 | PORSCHE | PET | PORSCHE |
| 996T | 2005 | 8 | 07 | 807-15 | | 248 | | | | | |



| Pos | Part Number | Description | Remark | Qty | Model |
|------|----------------|--|--------|-----|-------|
| 1 | 996 556 605 01 | body sound proofing 1 | | 1 | COUPE |
| (1) | 996 556 606 01 | sound absorber wheel housing front | /L | 1 | |
| 2 | 996 556 531 01 | sound absorber wheel housing front | /R | 1 | |
| 2 | 996 556 531 01 | insulation door in white | | 2 | |
| 3 | 996 556 723 01 | sound absorber firewall | /LL | 1 | |
| (3) | 996 556 724 01 | sound absorber firewall | /RL | 1 | |
| 4 | 996 556 503 01 | insulation floor 228 X 230 | | 1 | |
| 5 | 996 556 655 02 | sound absorber | /L | 1 | TURBO |
| (5) | 996 556 656 02 | sound absorber side trim panel | /R | 1 | TURBO |
| 6 | 996 556 503 01 | insulation seat well it is necessary to rework 160 X 40 | /L/R | 1 | |
| 7 | 996 556 507 01 | insulation | /H/L | 1 | |
| (7) | 996 556 508 01 | insulation wheel housing | /H/R | 1 | |
| 8 | 996 556 511 01 | insulation rear wall 430 X 120 | | 1 | |
| 10 | 996 556 581 00 | sound absorber rear wall | | -01 | |
| 11 | 996 556 711 03 | sound absorber F >>994S6 80654 F >>994S6 95107 engine compartment | | 1 | |
| (11) | 996 556 711 04 | sound absorber F 994S6 80655>> F 994S6 95108>> engine compartment | | 1 | |
| 12 | 996 556 761 01 | retaining strip | | 1 | |

| | | | | | | | | | | | |
|-------|------|----|----|--------------|--------------|-----|-------|------------|---------|-----|---------|
| Model | Year | MG | SG | Illustration | Restrictions | UPD | 20:02 | 24.01.2010 | PORSCHE | PET | PORSCHE |
| 996T | 2005 | 8 | 07 | 807-15 | | 248 | | | | | |

| Pos | Part Number | Description | Remark | Qty | Model | Pos | Part Number | Description | Remark | Qty | Model |
|------|----------------|---------------------------------------|--------|-----|-------|-----|-------------|-------------|--------|-----|-------|
| 13 | 999 049 020 40 | plastic nut T5/30 X 5,1 | | 5 | | | | | | | |
| 15 | 997 556 647 00 | sound absorber roof | | 1 | TURBO | | | | | | |
| (16) | 996 556 812 01 | filler piece back wall lining | | 1 | | | | | | | |
| 16 | 996 556 657 00 | sound absorber | /H/L | -02 | 1 | | | | | | |
| 16 | 996 556 657 03 | sound absorber | /H/L | 03- | 1 | | | | | | |
| (16) | 996 556 658 00 | sound absorber | /H/R | -02 | 1 | | | | | | |
| (16) | 996 556 658 03 | sound absorber wheel-housing liner | /H/R | 03- | 1 | | | | | | |
| 17 | 996 556 571 00 | sound absorber | /L | 1 | TURBO | | | | | | |
| (17) | 996 556 572 00 | sound absorber side trim panel | /R | 1 | TURBO | | | | | | |
| (18) | 996 556 753 01 | seal | /L/O | 1 | | | | | | | |
| (18) | 996 556 754 01 | seal side section | /R/O | 1 | | | | | | | |

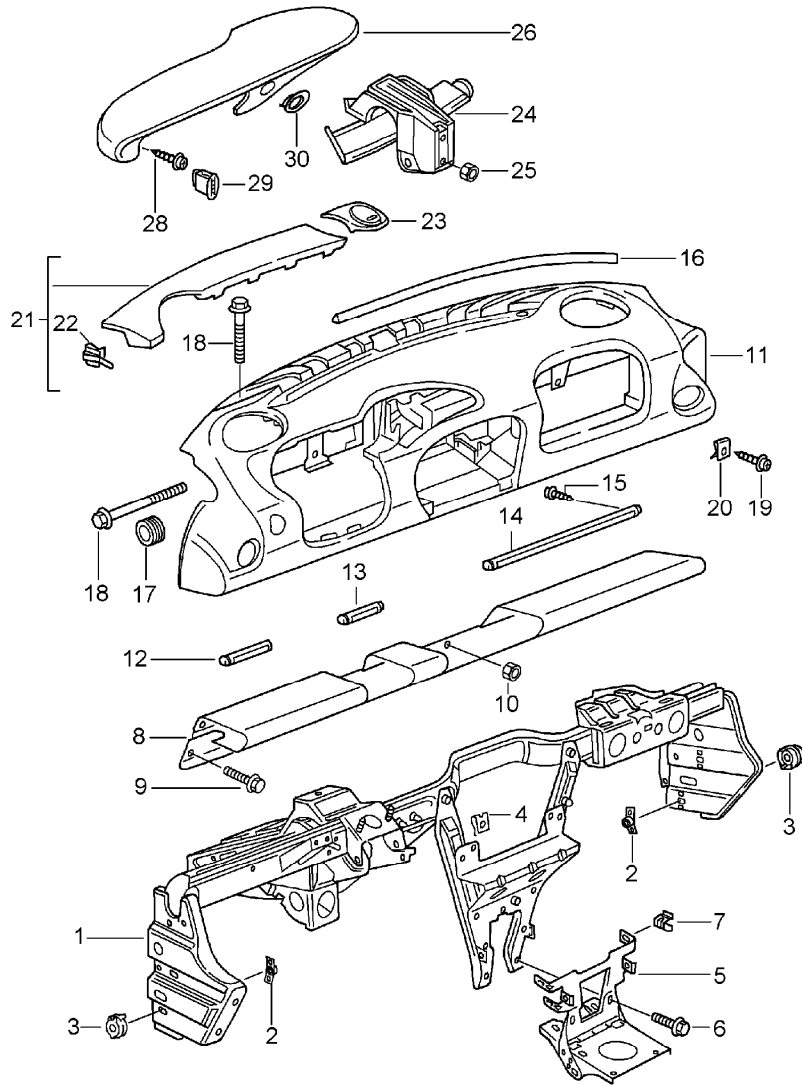
| | | | | | | | | | | | |
|-------|------|----|----|--------------|--------------|-----|-------|------------|---------|-----|---------|
| Model | Year | MG | SG | Illustration | Restrictions | UPD | 20:03 | 24.01.2010 | PORSCHE | PET | PORSCHE |
| 996T | 2005 | 8 | 07 | 807-16 | | 248 | | | | | |

| Pos | Part Number | Description | Remark | Qty | Model |
|-----|----------------|--|--------|-----|--------|
| 1 | 996 556 605 01 | body sound proofing 1 sound absorber wheel housing front | /L | 1 | CABRIO |
| (1) | 996 556 606 01 | sound absorber wheel housing front | /R | 1 | |
| 2 | 996 556 531 01 | insulation door in white | | 2 | |
| 3 | 996 556 723 01 | sound absorber firewall | /LL | 1 | |
| (3) | 996 556 724 01 | sound absorber firewall | /RL | 1 | |
| 4 | 996 556 503 01 | insulation floor 228 X 230 | | 2 | |
| 5 | 996 556 507 02 | insulation wheel housing rear | /L | 1 | |
| (5) | 996 556 508 02 | insulation wheel housing rear | /R | 1 | |
| 6 | 996 556 511 01 | insulation rear wall 430 X 120 | | 1 | |
| 7 | 996 556 611 02 | sound absorber convertible top tray | /L | 1 | |
| (7) | 996 556 612 01 | sound absorber convertible top tray | /R | 1 | |
| 8 | 996 556 711 03 | sound absorber F >>99XS6 70858 engine compartment | | 1 | |
| (8) | 996 556 711 04 | sound absorber F 99XS6 70859>> engine compartment | | 1 | |
| 9 | 996 556 761 01 | retaining strip engine compartment | | 1 | |
| 10 | 999 049 020 40 | plastic nut T5/30 X 5,1 | | 5 | |

| | | | | | | | | | | | |
|-------|------|----|----|--------------|--------------|-----|-------|------------|---------|-----|---------|
| Model | Year | MG | SG | Illustration | Restrictions | UPD | 20:03 | 24.01.2010 | PORSCHE | PET | PORSCHE |
| 996T | 2005 | 8 | 07 | 807-16 | | 248 | | | | | |

| Pos | Part Number | Description | Remark | Qty | Model | Pos | Part Number | Description | Remark | Qty | Model |
|-----|----------------|---|--------|-----|-------|-----|-------------|-------------|--------|-----|-------|
| 11 | 996 556 657 04 | sound absorber wheel-housing liner rear | /L | 04- | 1 | | | | | | |
| 11 | 996 556 658 04 | sound absorber wheel-housing liner rear | /R | 04- | 1 | | | | | | |
| 12 | 996 556 653 00 | sound absorber control units | | 04- | 1 | | | | | | |

| | | | | | | | | | | | |
|-------|------|----|----|--------------|--------------|-----|-------|------------|---------|-----|---------|
| Model | Year | MG | SG | Illustration | Restrictions | UPD | 20:03 | 24.01.2010 | PORSCHE | PET | PORSCHE |
| 996T | 2005 | 8 | 09 | 809-00 | | 248 | | | | | |



| Pos | Part Number | Description | Remark | Qty | Model |
|------|----------------|-------------------------------------|--------|-----|-------|
| | | dashboard trim with retaining frame | | | |
| 1 | 996 552 061 12 | retaining frame | /LL | 1 | |
| (1) | 996 552 061 13 | retaining frame | /RL | 1 | |
| 2 | 996 552 805 00 | threaded plate | | 4 | |
| 3 | 996 552 545 00 | shim | | 4 | |
| 4 | 999 507 462 02 | speed nut | | 9 | |
| 4 | 999 591 855 02 | speed nut 4,8 | | 1 | |
| (5) | 996 552 309 08 | support | | 1 | M476 |
| 7 | 999 507 574 02 | clamp 8 X 10/1,2 | | 4 | |
| 11 | 996 552 101 00 | dashboard trim leather | /LL | 01 | M981 |
| | | EVL black | | | |
| | | C51 graphite grey | | | |
| | | S31 savanna | | | |
| | | G11 metropole blue | | | |
| | | J31 nephrite green | | | |
| | | M31 boxster red | | | |
| | | P12 cinnamon brown | | | |
| | | D12 dark grey/natural | | | |
| | | T12 brown/natural | | | |
| (11) | 996 552 102 00 | dashboard trim leather | /RL | 01 | M981 |
| | | EVL black | | | |
| | | C51 graphite grey | | | |
| | | S31 savanna | | | |
| | | G11 metropole blue | | | |
| | | J31 nephrite green | | | |
| | | M31 boxster red | | | |

| | | | | | | | | | | | |
|-------|------|----|----|--------------|--------------|-----|-------|------------|---------|-----|---------|
| Model | Year | MG | SG | Illustration | Restrictions | UPD | 20:03 | 24.01.2010 | PORSCHE | PET | PORSCHE |
| 996T | 2005 | 8 | 09 | 809-00 | | 248 | | | | | |

| Pos | Part Number | Description | Remark | Qty | Model | Pos | Part Number | Description | Remark | Qty | Model |
|------|----------------|--|--------|-----|--------|------|----------------|--|--------|-----|--------|
| | P12 | cinnamon brown | | | | -- | 999 507 768 02 | speed nut 4,2 | | 18 | |
| | D12 | dark grey/natural | | | | -- | 999 507 533 02 | clamp 8 X 10/2,5 | | 23 | |
| | T12 | brown/natural | | | | -- | 996 552 749 00 | reinforcement strip | /LL | 02- | 1 |
| (11) | 996 552 101 01 | dashboard trim leather with cut-outs glove compartment | /LL | 02- | 1 M981 | -- | 996 552 750 00 | reinforcement strip driver's side | /RL | 02- | 1 |
| | A11 | black | | | | -- | 996 552 753 00 | reinforcement strip | /LL | 02- | 1 M573 |
| | C51 | graphite grey | | | | -- | 996 552 754 00 | reinforcement strip glove compartment | /RL | 02- | 1 M573 |
| | S31 | savanna | | | | -- | 999 073 169 07 | tapping screw 4,8 X 16 | | 02- | 2 |
| | G11 | metropole blue | | | | -- | 999 507 462 02 | speed nut 4,8 | | 02- | 5 |
| | J31 | nephrite green | | | | -- | 999 507 796 02 | u-clamp | | 02- | 3 |
| | M31 | boxster red | | | | 12 | 996 552 381 02 | moulding driver's side lacquered | /LL/L | | 1 |
| | P12 | cinnamon brown | | | | | A03 | black | | | |
| | D12 | dark grey/natural | | | | | C53 | graphite grey | | | |
| | T12 | brown/natural | | | | | S33 | savanna | | | |
| (11) | 996 552 102 01 | dashboard trim leather with cut-outs glove compartment | /RL | 02- | 1 M981 | | G13 | metropole blue | | | |
| | A11 | black | | | | | J33 | nephrite green | | | |
| | C51 | graphite grey | | | | | M33 | boxster red | | | |
| | S31 | savanna | | | | | P13 | cinnamon brown | | | |
| | G11 | metropole blue | | | | (12) | 996 552 382 01 | moulding driver's side lacquered | /RL/R | | 1 |
| | J31 | nephrite green | | | | | A03 | black | | | |
| | M31 | boxster red | | | | | C53 | graphite grey | | | |
| | P12 | cinnamon brown | | | | | S33 | savanna | | | |
| | D12 | dark grey/natural | | | | | G13 | metropole blue | | | |
| | T12 | brown/natural | | | | | J33 | nephrite green | | | |
| -- | 999 551 145 40 | lining strap 15 X 1,3 X 50 | | 2 | | | M33 | boxster red | | | |

| | | | | | | | | | | | |
|-------|------|----|----|--------------|--------------|-----|-------|------------|---------|-----|---------|
| Model | Year | MG | SG | Illustration | Restrictions | UPD | 20:03 | 24.01.2010 | PORSCHE | PET | PORSCHE |
| 996T | 2005 | 8 | 09 | 809-00 | | 248 | | | | | |

| Pos | Part Number | Description | Remark | Qty | Model | Pos | Part Number | Description | Remark | Qty | Model | |
|------|----------------|---------------------------------------|--------|-----|-------|------|----------------|--|--------|-----|-------|------|
| | P13 | cinnamon brown | | | | 12 | 996 552 996 05 | moulding driver's side rootwood dark | /LL/L | 1 | IXNW | |
| 12 | 996 552 996 00 | moulding driver's side leather | /LL/L | 1 | IXNU | | | | | | | |
| | A11 | black | | | | (12) | 996 552 997 05 | moulding driver's side rootwood dark | /RL/R | 1 | IXNW | |
| | C51 | graphite grey | | | | | | | | | | |
| | S31 | savanna | | | | 12 | 996 552 996 01 | moulding driver's side carbon | /LL/L | 1 | IXNX | |
| | G11 | metropole blue | | | | (12) | 996 552 997 01 | moulding driver's side carbon | /RL/R | 1 | IXNX | |
| | J31 | nephrite green | | | | | | | | | | |
| | M31 | boxster red | | | | | | | | | | |
| | D12 | dark grey | | | | 12 | 996 552 996 03 | moulding driver's side aluminium arctic silver | /LL/L | -02 | 1 | IXNY |
| | T12 | brown/natural | | | | | | | | | | |
| | P12 | cinnamon brown | | | | (12) | 996 552 997 03 | moulding driver's side aluminium arctic silver | /RL/R | -02 | 1 | IXNY |
| (12) | 996 552 997 00 | moulding driver's side leather | /RL/R | 1 | IXNU | | | | | | | |
| | A11 | black | | | | 12 | 996 552 996 12 | moulding driver's side | /LL | 03- | 1 | IXCA |
| | C51 | graphite grey | | | | (12) | 996 552 997 12 | moulding aluminium silver driver's side | /RL | 03- | 1 | IXCA |
| | S31 | savanna | | | | | | | | | | |
| | G11 | metropole blue | | | | | | | | | | |
| | J31 | nephrite green | | | | 13 | 996 552 383 02 | moulding centre lacquered | /LL | | 1 | |
| | M31 | boxster red | | | | | | | | | | |
| | D12 | dark grey | | | | | A03 | black | | | | |
| | T12 | brown/natural | | | | | C53 | graphite grey | | | | |
| | P12 | cinnamon brown | | | | | S33 | savanna | | | | |
| 12 | 996 552 996 04 | moulding driver's side rootwood light | /LL/L | 1 | IXNV | | G13 | metropole blue | | | | |
| | | | | | | | J33 | nephrite green | | | | |
| (12) | 996 552 997 04 | moulding driver's side rootwood light | /RL/R | 1 | IXNV | | M33 | boxster red | | | | |
| | | | | | | | P13 | cinnamon brown | | | | |
| | | | | | | (13) | 996 552 384 01 | moulding centre lacquered | /RL | | 1 | |

| | | | | | | | | | | | |
|-------|------|----|----|--------------|--------------|-----|-------|------------|---------|-----|---------|
| Model | Year | MG | SG | Illustration | Restrictions | UPD | 20:03 | 24.01.2010 | PORSCHE | PET | PORSCHE |
| 996T | 2005 | 8 | 09 | 809-00 | | 248 | | | | | |

| Pos | Part Number | Description | Remark | Qty | Model | Pos | Part Number | Description | Remark | Qty | Model | |
|------|----------------|-------------------------------|--------|-----|-------|------|----------------|--|--------|-----|-------|------|
| | A03 | black | | | | 13 | 996 552 998 08 | moulding centre rootwood light | /LL | 1 | IXNV | |
| | C53 | graphite grey | | | | | | | | | | |
| | S33 | savanna | | | | (13) | 996 552 998 09 | moulding centre rootwood light | /RL | 1 | IXNV | |
| | G13 | metropole blue | | | | | | | | | | |
| | J33 | nephrite green | | | | | | | | | | |
| | M33 | boxster red | | | | 13 | 996 552 998 10 | moulding centre rootwood dark | /LL | 1 | IXNW | |
| | P13 | cinnamon brown | | | | | | | | | | |
| 13 | 996 552 998 00 | moulding centre leather | /LL | 1 | IXNU | (13) | 996 552 998 11 | moulding centre rootwood dark | /RL | 1 | IXNW | |
| | A11 | black | | | | | | | | | | |
| | C51 | graphite grey | | | | 13 | 996 552 998 02 | moulding centre carbon | /LL | 1 | IXNX | |
| | S31 | savanna | | | | | | | | | | |
| | G11 | metropole blue | | | | (13) | 996 552 998 03 | moulding centre carbon | /RL | 1 | IXNX | |
| | J31 | nephrite green | | | | | | | | | | |
| | M31 | boxster red | | | | 13 | 996 552 998 06 | moulding centre aluminium arctic silver | /LL | -02 | 1 | IXNY |
| | D12 | dark grey | | | | | | | | | | |
| | T12 | brown/natural | | | | (13) | 996 552 998 07 | moulding centre aluminium arctic silver | /RL | -02 | 1 | IXNY |
| | P12 | cinnamon brown | | | | | | | | | | |
| (13) | 996 552 998 01 | moulding centre leather | /RL | 1 | IXNU | 13 | 996 552 998 14 | moulding centre aluminium silver | /LL | 03- | 1 | IXCA |
| | A11 | black | | | | | | | | | | |
| | C51 | graphite grey | | | | (13) | 996 552 998 15 | moulding centre aluminium silver | /RL | 03- | 1 | IXCA |
| | S31 | savanna | | | | | | | | | | |
| | G11 | metropole blue | | | | | | | | | | |
| | J31 | nephrite green | | | | 14 | 996 552 385 03 | moulding passenger's side lacquered | /LL/R | | 1 | |
| | M31 | boxster red | | | | | | | | | | |
| | D12 | dark grey | | | | | A03 | black | | | | |
| | T12 | brown/natural | | | | | C53 | graphite grey | | | | |
| | P12 | cinnamon brown | | | | | S33 | savanna | | | | |

| | | | | | | | | | | | |
|-------|------|----|----|--------------|--------------|-----|-------|------------|---------|-----|---------|
| Model | Year | MG | SG | Illustration | Restrictions | UPD | 20:03 | 24.01.2010 | PORSCHE | PET | PORSCHE |
| 996T | 2005 | 8 | 09 | 809-00 | | 248 | | | | | |

| Pos | Part Number | Description | Remark | Qty | Model | Pos | Part Number | Description | Remark | Qty | Model | |
|------|----------------|-------------------------------------|--------|-----|-------|------|----------------|---|--------|-----|-------|------|
| | G13 | metropole blue | | | | | G11 | metropole blue | | | | |
| | J33 | nephrite green | | | | | J31 | nephrite green | | | | |
| | M33 | boxster red | | | | | M31 | boxster red | | | | |
| | P13 | cinnamon brown | | | | | D12 | dark grey | | | | |
| (14) | 996 552 386 03 | moulding passenger's side lacquered | /RL/L | 1 | | | T12 | brown/natural | | | | |
| | A03 | black | | | | (14) | 996 552 959 02 | moulding passenger's side rootwood light | /LL/R | 1 | IXNV | |
| | C53 | graphite grey | | | | (14) | 996 552 959 03 | moulding passenger's side rootwood light | /RL/L | 1 | IXNV | |
| | S33 | savanna | | | | (14) | 996 552 959 04 | moulding passenger's side rootwood dark | /LL/R | 1 | IXNW | |
| | G13 | metropole blue | | | | (14) | 996 552 959 05 | moulding passenger's side rootwood dark | /RL/L | 1 | IXNW | |
| | J33 | nephrite green | | | | (14) | 996 552 959 06 | moulding passenger's side carbon | /LL/R | 1 | IXNX | |
| | M33 | boxster red | | | | (14) | 996 552 959 07 | moulding passenger's side carbon | /RL/L | 1 | IXNX | |
| 14 | 996 552 959 00 | moulding passenger's side leather | /LL/R | 1 | IXNU | 14 | 996 552 959 08 | moulding passenger's side aluminium arctic silver | /LL/R | -02 | 1 | IXNY |
| | A11 | black | | | | (14) | 996 552 959 09 | moulding passenger's side aluminium arctic silver | /RL/L | -02 | 1 | IXNY |
| | C51 | graphite grey | | | | 14 | 996 552 959 11 | moulding passenger's side aluminium silver | /RL/L | 03- | 1 | IXCA |
| | S31 | savanna | | | | | | | | | | |
| | G11 | metropole blue | | | | | | | | | | |
| | J31 | nephrite green | | | | | | | | | | |
| | M31 | boxster red | | | | | | | | | | |
| | D12 | dark grey | | | | | | | | | | |
| | T12 | brown/natural | | | | | | | | | | |
| | P12 | cinnamon brown | | | | | | | | | | |
| (14) | 996 552 959 01 | moulding passenger's side leather | /RL/L | 1 | IXNU | | | | | | | |
| | A11 | black | | | | | | | | | | |
| | C51 | graphite grey | | | | | | | | | | |
| | S31 | savanna | | | | | | | | | | |

| | | | | | | | | | | | |
|-------|------|----|----|--------------|--------------|-----|-------|------------|---------|-----|---------|
| Model | Year | MG | SG | Illustration | Restrictions | UPD | 20:03 | 24.01.2010 | PORSCHE | PET | PORSCHE |
| 996T | 2005 | 8 | 09 | 809-00 | | 248 | | | | | |

| Pos | Part Number | Description | Remark | Qty | Model | Pos | Part Number | Description | Remark | Qty | Model |
|------|----------------|---|-----------|-----|-------|------|----------------|-------------------------------------|--------|-----|-------|
| (14) | 996 552 959 11 | moulding passenger's side aluminium silver | /RL/L 03- | 1 | | | VRK | black | | | |
| | | | | | | | C51 | graphite grey | | | |
| 15 | 999 919 203 07 | oval-head screw 3 X 10 | | 11 | | | S31 | savanna | | | |
| | | | | | | | J31 | nephrite green | | | |
| 16 | 996 552 645 00 | gasket cowl | | 1 | | | M31 | boxster red | | | |
| | | | | | | | G11 | metropole blue | | | |
| 17 | 999 703 466 40 | stopper 15,0 X 5,0 | | 2 | | | D12 | dark grey | | | |
| | | | | | | | T12 | brown/natural | | | |
| 18 | 999 074 057 09 | hexagon-head bolt M 8 X 125 | | 4 | | | P12 | cinnamon brown | | | |
| | | | | | | (21) | 996 552 989 05 | defroster trim leather | /R | 1 | IXV1 |
| 19 | 999 073 169 07 | tapping screw 4,8 X 16 | | 11 | | | VRK | black | | | |
| | | | | | | | C51 | graphite grey | | | |
| 20 | 999 507 462 02 | speed nut 4,8 | | 19 | | | S31 | savanna | | | |
| | | | | | | | J31 | nephrite green | | | |
| 21 | 996 552 185 04 | defroster trim | /L | 1 | | | M31 | boxster red | | | |
| | A03 | black | | | | | G11 | metropole blue | | | |
| | C53 | graphite grey | | | | | J33 | nephrite green | | | |
| | S33 | savanna | | | | | M33 | boxster red | | | |
| | G13 | metropole blue | | | | | P13 | cinnamon brown | | | |
| | J33 | nephrite green | | | | | | | | | |
| | M33 | boxster red | | | | | | | | | |
| | P13 | cinnamon brown | | | | | | | | | |
| (21) | 996 552 186 04 | defroster trim lacquered | /R | 1 | | 21 | 996 552 988 04 | defroster trim carbon leather | /L | 1 | IXKJ |
| | A03 | black | | | | | VRK | black | | | |
| | C53 | graphite grey | | | | | C51 | graphite grey | | | |
| | S33 | savanna | | | | | S31 | savanna | | | |
| | G13 | metropole blue | | | | | J31 | nephrite green | | | |
| | J33 | nephrite green | | | | | M31 | boxster red | | | |
| | M33 | boxster red | | | | | G11 | metropole blue | | | |
| | P13 | cinnamon brown | | | | | D12 | dark grey | | | |
| 21 | 996 552 988 05 | defroster trim | /L | 1 | IXV1 | | | | | | |

| | | | | | | | | | | | |
|-------|------|----|----|--------------|--------------|-----|-------|------------|---------|-----|---------|
| Model | Year | MG | SG | Illustration | Restrictions | UPD | 20:03 | 24.01.2010 | PORSCHE | PET | PORSCHE |
| 996T | 2005 | 8 | 09 | 809-00 | | 248 | | | | | |

| Pos | Part Number | Description | Remark | Qty | Model | Pos | Part Number | Description | Remark | Qty | Model |
|------|----------------|--|--------|-----|--------|------|----------------|---|--------|-----|--------|
| | T12 | brown/natural | | | | | J31 | nephrite green | | | |
| | P12 | cinnamon brown | | | | | M31 | boxster red | | | |
| (21) | 996 552 989 04 | defroster trim carbon leather | /R | 1 | IXKJ | | G11 | metropole blue | | | |
| | VRK | black | | | | | D12 | dark grey | | | |
| | C51 | graphite grey | | | | | T12 | brown/natural | | | |
| | S31 | savanna | | | | 21 | 996 552 988 02 | defroster trim light maple rootwood leather | /L | 01- | 1 IXKG |
| | J31 | nephrite green | | | | | VRK | black | | | |
| | M31 | boxster red | | | | | C51 | graphite grey | | | |
| | G11 | metropole blue | | | | | S31 | savanna | | | |
| | D12 | dark grey | | | | | J31 | nephrite green | | | |
| | T12 | brown/natural | | | | | M31 | boxster red | | | |
| 21 | 996 552 988 03 | defroster trim dark maple rootwood leather | /L | 01- | 1 IXKH | | G11 | metropole blue | | | |
| | VRK | black | | | | | D12 | dark grey/natural | | | |
| | C51 | graphite grey | | | | | T12 | brown/natural | | | |
| | S31 | savanna | | | | (21) | 996 552 989 02 | defroster trim light maple rootwood leather | /R | 01- | 1 IXKG |
| | J31 | nephrite green | | | | | VRK | black | | | |
| | M31 | boxster red | | | | | C51 | graphite grey | | | |
| | G11 | metropole blue | | | | | S31 | savanna | | | |
| | D12 | dark grey | | | | | J31 | nephrite green | | | |
| | T12 | brown/natural | | | | | M31 | boxster red | | | |
| | P12 | cinnamon brown | | | | | G11 | metropole blue | | | |
| (21) | 996 552 989 03 | defroster trim dark maple rootwood leather | /R | 01- | 1 IXKH | | D12 | dark grey/natural | | | |
| | VRK | black | | | | | T12 | brown/natural | | | |
| | C51 | graphite grey | | | | | P12 | cinnamon brown | | | |
| | S31 | savanna | | | | | | | | | |

| | | | | | | | | | | | |
|-------|------|----|----|--------------|--------------|-----|-------|------------|---------|-----|---------|
| Model | Year | MG | SG | Illustration | Restrictions | UPD | 20:03 | 24.01.2010 | PORSCHE | PET | PORSCHE |
| 996T | 2005 | 8 | 09 | 809-00 | | 248 | | | | | |

| Pos | Part Number | Description | Remark | Qty | Model | Pos | Part Number | Description | Remark | Qty | Model |
|------|----------------|---|--------|-----|-------|------|----------------|---------------------------------|--------|-----|--------|
| 22 | 999 507 685 02 | clamp 1,5-2,0 | | 2 | | | EUR | graphite grey | | | |
| 23 | 996 552 181 04 | cover | | 1 | | | EUS | savanna | | | |
| | A03 | black | | | | | EUT | metropole blue | | | |
| | C53 | graphite grey | | | | | EUV | nephrite green | | | |
| | S33 | savanna | | | | | EUV | boxster red | | | |
| | G13 | metropole blue | | | | | FEJ | cinnamon brown | | | |
| | J33 | nephrite green | | | | | VRP | dark grey | | | |
| | M33 | boxster red | | | | | VRQ | brown | | | |
| | P13 | cinnamon brown | | | | (26) | 996 552 026 01 | cover leather | /RL | -02 | 1 |
| 23 | 996 552 990 02 | cover light leather | | 1 | IXV1 | | ETQ | black | | | |
| | VRK | black | | | | | EUR | graphite grey | | | |
| | C51 | graphite grey | | | | | EUS | savanna | | | |
| | S31 | savanna | | | | | EUT | metropole blue | | | |
| | J31 | nephrite green | | | | | EUV | nephrite green | | | |
| | M31 | boxster red | | | | | EUV | boxster red | | | |
| | G11 | metropole blue | | | | | FEJ | cinnamon brown | | | |
| | D12 | dark grey | | | | | VRP | dark grey | | | |
| | T12 | brown/natural | | | | 26 | 996 552 025 02 | cover instruments leather | /LL | 03- | 1 M981 |
| | P12 | cinnamon brown | | | | | VRQ | brown | | | |
| 24 | 996 552 617 03 | support | /LL | 1 | | | ETQ | black | | | |
| (24) | 996 552 618 02 | support instrument wiring harness | /RL | 1 | | | EUR | graphite grey | | | |
| -- | 999 591 883 02 | speed nut 4,8 | | 2 | | | EUS | savanna | | | |
| | | | | | | | EUT | metropole blue | | | |
| 25 | 900 380 015 09 | hexagon nut M 6 | | 2 | | | EUV | boxster red | | | |
| | | | | | | | FEJ | cinnamon brown | | | |
| 26 | 996 552 025 01 | cover leather | /LL | -02 | 1 | | VRP | dark grey/natural | | | |
| | ETQ | black | | | | | VRQ | brown/natural | | | |

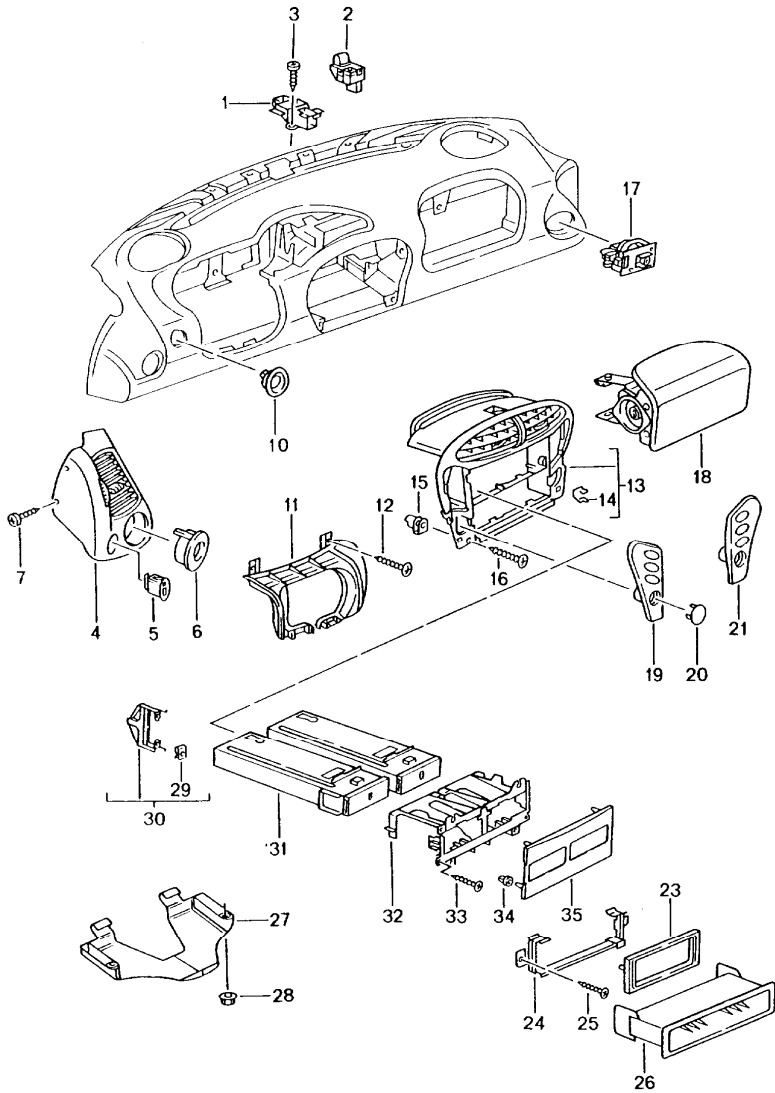
| | | | | | | | | | | | |
|-------|------|----|----|--------------|--------------|-----|-------|------------|---------|-----|---------|
| Model | Year | MG | SG | Illustration | Restrictions | UPD | 20:03 | 24.01.2010 | PORSCHE | PET | PORSCHE |
| 996T | 2005 | 8 | 09 | 809-00 | | 248 | | | | | |

| Pos | Part Number | Description | Remark | Qty | Model | Pos | Part Number | Description | Remark | Qty | Model |
|------|----------------|----------------------------------|---------|-----|-------|------|----------------|--|--------|-----|-------|
| (26) | 996 552 026 02 | cover instruments leather | /RL 03- | 1 | M981 | | M33 | boxster red | | | |
| | ETQ | black | | | | | P13 | cinnamon brown | | | |
| | EUR | graphite grey | | | | 30 | 996 552 469 01 | rosette hazard warning light sw. lacquered | /LL | 1 | |
| | EUS | savanna | | | | | A03 | black | | | |
| | EUT | metropole blue | | | | | C53 | graphite grey | | | |
| | EUW | boxster red | | | | | S33 | savanna | | | |
| | FEJ | cinnamon brown | | | | | G13 | metropole blue | | | |
| | VRP | dark grey/natural | | | | | J33 | nephrite green | | | |
| | VRQ | brown/natural | | | | | M33 | boxster red | | | |
| (28) | 999 073 220 09 | tapping screw 4,8 X 25 | 01- | 2 | | | P13 | cinnamon brown | | | |
| -- | 999 507 033 02 | speed nut 4,8 | | 2 | | (30) | 996 552 470 01 | rosette hazard warning light sw. lacquered | /RL | 1 | |
| 29 | 996 552 625 02 | cover microphone | /LL | 1 | | | A03 | black | | | |
| | A03 | black | | | | | C53 | graphite grey | | | |
| | C53 | graphite grey | | | | | S33 | savanna | | | |
| | S33 | savanna | | | | | G13 | metropole blue | | | |
| | G13 | metropole blue | | | | | J33 | nephrite green | | | |
| | J33 | nephrite green | | | | | M33 | boxster red | | | |
| | M33 | boxster red | | | | | P13 | cinnamon brown | | | |
| | P13 | cinnamon brown | | | | 30 | 996 552 966 00 | rosette hazard warning light sw. leather | /LL | 1 | |
| (29) | 996 552 626 02 | cover lacquered microphone | /RL | 1 | | | A11 | black | | | |
| | A03 | black | | | | | C51 | graphite grey | | | |
| | C53 | graphite grey | | | | | S31 | savanna | | | |
| | S33 | savanna | | | | | G11 | metropole blue | | | |
| | G13 | metropole blue | | | | | J31 | nephrite green | | -03 | |
| | J33 | nephrite green | | | | | M31 | boxster red | | | |
| | | | | | | | P12 | cinnamon brown | | | |

| | | | | | | | | | | | |
|-------|------|----|----|--------------|--------------|-----|-------|------------|---------|-----|---------|
| Model | Year | MG | SG | Illustration | Restrictions | UPD | 20:03 | 24.01.2010 | PORSCHE | PET | PORSCHE |
| 996T | 2005 | 8 | 09 | 809-00 | | 248 | | | | | |

| Pos | Part Number | Description | Remark | Qty | Model | Pos | Part Number | Description | Remark | Qty | Model |
|------|----------------|--|--------|-----|-------|-----|-------------|-------------|--------|-----|-------|
| | | D12 dark grey/natural | | | | | | | | | |
| | | T12 brown/natural | | | | | | | | | |
| (30) | 996 552 966 01 | rosette hazard warning light sw. leather | /RL | 1 | | | | | | | |
| | | A11 black | | | | | | | | | |
| | | C51 graphite grey | | | | | | | | | |
| | | S31 savanna | | | | | | | | | |
| | | G11 metropole blue | | | | | | | | | |
| | | J31 nephrite green | | | | | | | -03 | | |
| | | M31 boxer red | | | | | | | | | |
| | | P12 cinnamon brown | | | | | | | | | |
| | | D12 dark grey/natural | | | | | | | | | |
| | | T12 brown/natural | | | | | | | | | |

| | | | | | | | | | | | |
|-------|------|----|----|--------------|--------------|-----|-------|------------|---------|-----|---------|
| Model | Year | MG | SG | Illustration | Restrictions | UPD | 20:03 | 24.01.2010 | PORSCHE | PET | PORSCHE |
| 996T | 2005 | 8 | 09 | 809-01 | | 248 | | | | | |



| Pos | Part Number | Description | Remark | Qty | Model |
|-----|----------------|-------------------------------|--------|-----|-------|
| | | accessories dashboard trim | -01 | | |
| 1 | 996 552 541 02 | mounting light | | 1 | |
| 2 | 996 653 251 00 | sensor | | 1 | M573 |
| 3 | 999 919 120 09 | oval-head screw 4,0 X 18 | | 2 | |
| 4 | 996 552 225 05 | side vent lacquered | /L | 1 | |
| | | A03 black | | | |
| | | C53 graphite grey | | | |
| | | S33 savanna | | | |
| | | G13 metropole blue | | | |
| | | J33 nephrite green | | | |
| | | M33 boxster red | | | |
| | | P13 cinnamon brown | | | |
| (4) | 996 552 228 05 | side vent lacquered | /R | 1 | |
| | | A03 black | | | |
| | | C53 graphite grey | | | |
| | | S33 savanna | | | |
| | | G13 metropole blue | | | |
| | | J33 nephrite green | | | |
| | | M33 boxster red | | | |
| | | P13 cinnamon brown | | | |
| 4 | 996 552 984 00 | side vent leather | /L | 1 | IXN3 |
| | | VRK black | | | |
| | | C51 graphite grey | | | |
| | | S31 savanna | | | |
| | | G11 metropole blue | | | |
| | | J31 nephrite green | | | |

| | | | | | | | | | | | |
|-------|------|----|----|--------------|--------------|-----|-------|------------|---------|-----|---------|
| Model | Year | MG | SG | Illustration | Restrictions | UPD | 20:03 | 24.01.2010 | PORSCHE | PET | PORSCHE |
| 996T | 2005 | 8 | 09 | 809-01 | | 248 | | | | | |

| Pos | Part Number | Description | Remark | Qty | Model | Pos | Part Number | Description | Remark | Qty | Model |
|-----|----------------|--------------------------|--------|-----|--------|-----|----------------|---------------------------------|--------|--------|-------|
| | M31 | boxster red | | | | | C51 | graphite grey | | | |
| | D12 | dark grey | | | | | S31 | savanna | | | |
| | T12 | brown/natural | | | | | J31 | nephrite green | | | |
| | P12 | cinnamon brown | | | | | M31 | boxster red | | | |
| (4) | 996 552 985 00 | side vent leather | /R | 01- | 1 IXN3 | | G11 | metropole blue | | | |
| | VRK | black | | | | | D12 | dark grey | | | |
| | C51 | graphite grey | | | | | T12 | brown/natural | | | |
| | S31 | savanna | | | | | P12 | cinnamon brown | | | |
| | G11 | metropole blue | | | | (4) | 996 552 984 05 | side vent arctic silver leather | /L | 1 IXKE | |
| | J31 | nephrite green | | | | | VRK | black | | | |
| | M31 | boxster red | | | | | C51 | graphite grey | | | |
| | D12 | dark grey | | | | | S31 | savanna | | | |
| | T12 | brown/natural | | | | | J31 | nephrite green | | | |
| | P12 | cinnamon brown | | | | | M31 | boxster red | | | |
| 4 | 996 552 984 03 | side vent carbon leather | /L | | 1 IXKD | | G11 | metropole blue | | | |
| | VRK | black | | | | | D12 | dark grey | | | |
| | C51 | graphite grey | | | | | T12 | brown/natural | | | |
| | S31 | savanna | | | | | P12 | cinnamon brown | | | |
| | J31 | nephrite green | | | | 4 | 996 552 985 05 | side vent arctic silver leather | /R | 1 IXKE | |
| | M31 | boxster red | | | | | VRK | black | | | |
| | G11 | metropole blue | | | | | C51 | graphite grey | | | |
| | D12 | dark grey | | | | | S31 | savanna | | | |
| | T12 | brown/natural | | | | | J31 | nephrite green | | | |
| | P12 | cinnamon brown | | | | | M31 | boxster red | | | |
| (4) | 996 552 985 03 | side vent carbon leather | /R | | 1 IXKD | | G11 | metropole blue | | | |
| | VRK | black | | | | | D12 | dark grey | | | |
| | | | | | | | T12 | brown/natural | | | |

| | | | | | | | | | | | |
|-------|------|----|----|--------------|--------------|-----|-------|------------|---------|-----|---------|
| Model | Year | MG | SG | Illustration | Restrictions | UPD | 20:03 | 24.01.2010 | PORSCHE | PET | PORSCHE |
| 996T | 2005 | 8 | 09 | 809-01 | | 248 | | | | | |

| Pos | Part Number | Description | Remark | Qty | Model | Pos | Part Number | Description | Remark | Qty | Model |
|-----|----------------|--|--------|-----|-------|-----|----------------|--|--------|-----|-------|
| | P12 | cinnamon brown | | | | | M33 | boxster red | | | |
| 4 | 996 552 984 02 | side vent rootwood dark grey leather | /L 01- | 1 | IXKC | | P13 | cinnamon brown | | | |
| | VRK | black | | | | 5 | 996 552 986 00 | cover headlight levelling system leather | | 1 | IXNH |
| | C51 | side vent | | | | | A11 | black | | | |
| | S31 | savanna | | | | | C51 | graphite grey | | | |
| | J31 | nephrite green | | | | | S31 | savanna | | | |
| | M31 | boxster red | | | | | J31 | nephrite green | | | |
| | D12 | dark grey | | | | | M31 | boxster red | | | |
| | T12 | brown/natural | | | | | G11 | metropole blue | | | |
| | P12 | cinnamon brown | | | | | D12 | dark grey | | | |
| (4) | 996 552 985 02 | side vent rootwood dark grey leather | /R 01- | 1 | IXKC | | T12 | brown/natural | | | |
| | VRK | black | | | | | P12 | cinnamon brown | | | |
| | C51 | side vent | | | | 5 | 996 552 986 01 | cover headlight levelling system rootwood light | | 2 | IXKB |
| | S31 | savanna | | | | | | | | | |
| | J31 | nephrite green | | | | 5 | 996 552 986 02 | cover headlight levelling system rootwood dark | | 2 | IXKC |
| | M31 | boxster red | | | | | | | | | |
| | D12 | dark grey | | | | 5 | 996 552 986 03 | cover headlight levelling system carbon | | 2 | IXKD |
| | T12 | brown/natural | | | | | | | | | |
| | P12 | cinnamon brown | | | | 6 | 996 552 417 02 | rosette interior sensor lacquered | | 1 | |
| 5 | 996 552 621 01 | cover headlight levelling system lacquered | | 1 | | | A03 | black | | | |
| | A03 | black | | | | | C53 | graphite grey | | | |
| | C53 | graphite grey | | | | | S33 | savanna | | | |
| | S33 | savanna | | | | | G13 | metropole blue | | | |
| | G13 | metropole blue | | | | | J33 | nephrite green | | | |
| | J33 | nephrite green | | | | | M33 | boxster red | | | |
| | | | | | | | P13 | cinnamon brown | | | |

| | | | | | | | | | | | |
|-------|------|----|----|--------------|--------------|-----|-------|------------|---------|-----|---------|
| Model | Year | MG | SG | Illustration | Restrictions | UPD | 20:03 | 24.01.2010 | PORSCHE | PET | PORSCHE |
| 996T | 2005 | 8 | 09 | 809-01 | | 248 | | | | | |

| Pos | Part Number | Description | Remark | Qty | Model | Pos | Part Number | Description | Remark | Qty | Model |
|------|----------------|---------------------------------------|--------|-----|-------|------|----------------|---|--------|-----|--------|
| 6 | 996 552 987 00 | rosette interior sensor leather | | 1 | IXNH | | J33 | nephrite green | | | |
| | A11 | black | | | | | M33 | boxster red | | | |
| | C51 | graphite grey | | | | | P13 | cinnamon brown | | | |
| | S31 | savanna | | | | 10 | 996 552 980 00 | rosette ignition starter lock leather | /LL | 01- | 1 IXJ4 |
| | J31 | nephrite green | | | | | A11 | black | | | |
| | M31 | boxster red | | | | | C51 | graphite grey | | | |
| | G11 | metropole blue | | | | | S31 | savanna | | | |
| | D12 | dark grey | | | | | G11 | metropole blue | | | |
| | T12 | brown/natural | | | | | J31 | nephrite green | | | |
| | P12 | cinnamon brown | | | | | M31 | boxster red | | | |
| 7 | 999 073 218 09 | tapping screw 4,2 X 16 | | 4 | | | P12 | cinnamon brown | | | |
| 10 | 996 552 235 03 | rosette ignition starter lock | /LL | 1 | | | D12 | dark grey/natural | | | |
| | A03 | black | | | | (10) | 996 552 980 01 | rosette ignition starter lock leather | /RL | 01- | 1 IXJ4 |
| | C53 | graphite grey | | | | | A11 | black | | | |
| | S33 | savanna | | | | | C51 | graphite grey | | | |
| | G13 | metropole blue | | | | | S31 | savanna | | | |
| | B13 | space grey | | | | | G11 | metropole blue | | | |
| | J33 | nephrite green | | | | | J31 | nephrite green | | | |
| | M33 | boxster red | | | | | M31 | boxster red | | | |
| | P13 | cinnamon brown | | | | | P12 | cinnamon brown | | | |
| (10) | 996 552 236 03 | rosette ignition starter lock | /RL | 1 | | | D12 | dark grey/natural | | | |
| | A03 | black | | | | | T12 | brown/natural | | | |
| | C53 | graphite grey | | | | 11 | 996 552 271 03 | cover steering | | | 1 |
| | S33 | savanna | | | | | A03 | black | | | |
| | G13 | metropole blue | | | | | C53 | graphite grey | | | |
| | B13 | space grey | | | | | | | | | |

| | | | | | | | | | | | |
|-------|------|----|----|--------------|--------------|-----|-------|------------|---------|-----|---------|
| Model | Year | MG | SG | Illustration | Restrictions | UPD | 20:03 | 24.01.2010 | PORSCHE | PET | PORSCHE |
| 996T | 2005 | 8 | 09 | 809-01 | | 248 | | | | | |

| Pos | Part Number | Description | Remark | Qty | Model | Pos | Part Number | Description | Remark | Qty | Model |
|------|------------------|------------------------|--------|-----|-------|------|----------------|------------------------------|--------|-----|-----------|
| | S33 | savanna | | | | | C53 | graphite grey | | | |
| | G13 | metropole blue | | | | | S33 | savanna | | | |
| | J33 | nephrite green | | | | | G13 | metropole blue | | | |
| | M33 | boxster red | | | | | J33 | nephrite green | | | |
| | P13 | cinnamon brown | | | | | M33 | boxster red | | | |
| 11 | 986 552 988 03 | cover steering leather | 01- | 1 | IXNS | | P13 | cinnamon brown | | | |
| | VRK | black | | | | (13) | 996 552 969 08 | support frame | | 1 | IXNN |
| | S31 | savanna | | | | | A11 | black | | | |
| | G11 | metropole blue | | | | | C51 | graphite grey | | | |
| | J31 | nephrite green | | | | | S31 | savanna | | | |
| | M31 | boxster red | | | | | J31 | nephrite green | | | |
| | D12 | dark grey/natural | | | | | M31 | boxster red | | | |
| | T12 | brown/natural | | | | | D12 | dark grey | 00- | | |
| | C51 | graphite grey | | | | | T12 | brown/natural | 00- | | |
| | P12 | cinnamon brown | | | | | P12 | cinnamon brown | 01 | | |
| -- | A 999 591 850 02 | speed nut 4,2 | | 2 | | (13) | 996 552 969 09 | support frame leather | | 1 | IXNN/M662 |
| -- | 999 591 850 01 | speed nut 4,2 | | 2 | | | A11 | black | | | |
| 13 | 996 552 131 04 | support frame | 01 | 1 | | | C51 | graphite grey | | | |
| | A03 | black | | | | | S31 | savanna | | | |
| | C53 | graphite grey | | | | | J31 | nephrite green | | | |
| | S33 | savanna | | | | | M31 | boxster red | | | |
| | G13 | metropole blue | | | | | D12 | dark grey | 00- | | |
| | J33 | nephrite green | | | | | T12 | brown/natural | 00- | | |
| | M33 | boxster red | | | | | P12 | cinnamon brown | 01 | | |
| | P13 | cinnamon brown | | | | (13) | 996 552 969 10 | support frame rootwood light | 01 | 1 | IXKR |
| (13) | 996 552 131 05 | support frame | 01 | 1 | M662 | | 01C | satin black | | | |
| | A03 | black | | | | | C53 | graphite grey | | | |

| | | | | | | | | | | | |
|-------|------|----|----|--------------|--------------|-----|-------|------------|---------|-----|---------|
| Model | Year | MG | SG | Illustration | Restrictions | UPD | 20:03 | 24.01.2010 | PORSCHE | PET | PORSCHE |
| 996T | 2005 | 8 | 09 | 809-01 | | 248 | | | | | |

| Pos | Part Number | Description | Remark | Qty | Model | Pos | Part Number | Description | Remark | Qty | Model |
|------|----------------|------------------------------------|--------|-----|-----------|------|----------------|-----------------------------------|--------|-----|-----------|
| | S33 | savanna | | | | (13) | 996 552 969 13 | support frame rootwood dark | 01 | 1 | IXKS/M662 |
| | G13 | metropole blue | | | | | | | | | |
| | J33 | nephrite green | | | | | 01C | satin black | | | |
| | M33 | boxster red | | | | | C53 | graphite grey | | | |
| | D12 | dark grey | 00- | | | | S33 | savanna | | | |
| | T12 | brown/natural | 00- | | | | G13 | metropole blue | | | |
| | P13 | cinnamon brown | 01 | | | | J33 | nephrite green | | | |
| (13) | 996 552 969 11 | support frame rootwood light | 01 | 1 | IXKR/M662 | | M33 | boxster red | | | |
| | 01C | satin black | | | | | D12 | dark grey | 00- | | |
| | C53 | graphite grey | | | | | T12 | brown/natural | 00- | | |
| | S33 | savanna | | | | | P13 | cinnamon brown | 01 | | |
| | G13 | metropole blue | | | | (13) | 996 552 969 14 | support frame carbon | 01 | 1 | IXNR |
| | J33 | nephrite green | | | | | 01C | satin black | | | |
| | M33 | boxster red | | | | | C53 | graphite grey | | | |
| | D12 | dark grey | 00- | | | | S33 | savanna | | | |
| | T12 | brown/natural | 00- | | | | G13 | metropole blue | | | |
| | P13 | cinnamon brown | 01 | | | | J33 | nephrite green | | | |
| (13) | 996 552 969 12 | support frame rootwood dark | 01 | 1 | IXKS | | M33 | boxster red | | | |
| | 01C | satin black | | | | | D12 | dark grey | 00- | | |
| | C53 | graphite grey | | | | | T12 | brown/natural | 00- | | |
| | S33 | savanna | | | | | P13 | cinnamon brown | 01 | | |
| | G13 | metropole blue | | | | (13) | 996 552 969 15 | support frame carbon | 01 | 1 | IXNR/M662 |
| | J33 | nephrite green | | | | | 01C | satin black | | | |
| | M33 | boxster red | | | | | C53 | graphite grey | | | |
| | D12 | dark grey | 00- | | | | S33 | savanna | | | |
| | T12 | brown/natural | 00- | | | | G13 | metropole blue | | | |
| | P13 | cinnamon brown | 01 | | | | J33 | nephrite green | | | |
| | | | | | | | M33 | boxster red | | | |

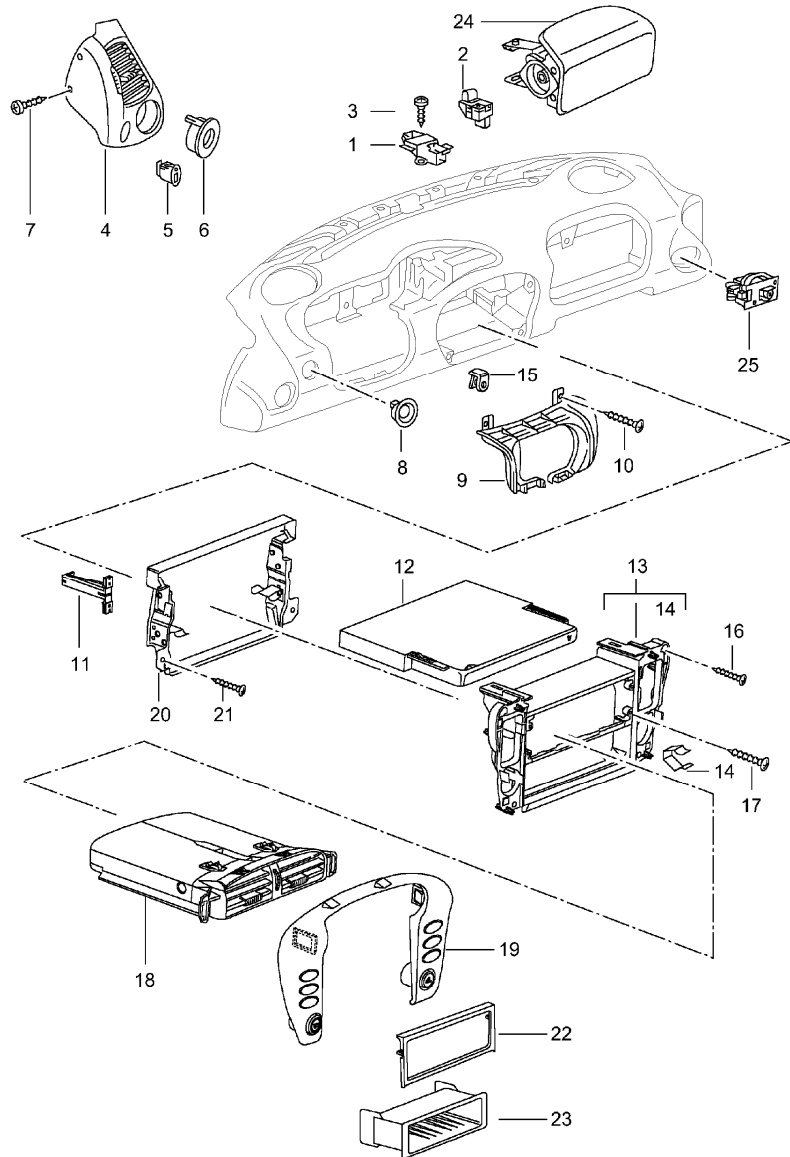
| | | | | | | | | | | | |
|-------|------|----|----|--------------|--------------|-----|-------|------------|---------|-----|---------|
| Model | Year | MG | SG | Illustration | Restrictions | UPD | 20:03 | 24.01.2010 | PORSCHE | PET | PORSCHE |
| 996T | 2005 | 8 | 09 | 809-01 | | 248 | | | | | |

| Pos | Part Number | Description | Remark | Qty | Model | Pos | Part Number | Description | Remark | Qty | Model |
|------|----------------|--|--------|-----|-----------|-----|----------------|--|--------|-----|--------|
| | D12 | dark grey | 00- | | | | J31 | nephrite green | | | |
| | T12 | brown/natural | 00- | | | | M31 | boxster red | | | |
| | P13 | cinnamon brown | 01 | | | | D12 | dark grey | | | |
| (13) | 996 552 969 16 | support frame | 01 | 1 | IXKW | | T12 | brown/natural | | | |
| | 92T | arctic silver | | | | | P12 | cinnamon brown | | | |
| (13) | 996 552 969 17 | support frame | 01 | 1 | IXKW/M662 | 19 | 996 552 967 05 | trim for switch rootwood light | /L | 01 | 1 IXKR |
| | 92T | arctic silver | | | | | | | | | |
| (15) | 999 507 768 02 | speed nut 4,2 | | 16 | | 19 | 996 552 967 06 | trim for switch rootwood dark | /L | 01 | 1 IXKS |
| (15) | 999 507 767 02 | speed nut 4,2 | | 2 | | 19 | 996 552 967 07 | trim for switch carbon | /L | 01 | 1 IXNR |
| 16 | 999 073 218 09 | tapping screw 4,2 X 16 | | 4 | | 21 | 996 552 234 04 | trim for switch upper part/lower part | /R | -01 | 1 |
| 17 | 996 653 241 00 | interior sensor side vent | | 1 | M573 | | A03 | black | | | |
| 18 | --- --- --- -- | see group 4/03/06 | | 1 | | | C53 | graphite grey | | | |
| 19 | 996 552 233 04 | trim for switch upper part/lower part | /L | -01 | 1 | | S33 | savanna | | | |
| | A03 | black | | | | | G13 | metropole blue | | | |
| | C53 | graphite grey | | | | | J33 | nephrite green | | | |
| | S33 | savanna | | | | | M33 | boxster red | | | |
| | G13 | metropole blue | | | | | P13 | cinnamon brown | | | |
| | J33 | nephrite green | | | | 21 | 996 552 968 04 | trim for switch leather | /R | 01 | 1 IXNN |
| | M33 | boxster red | | | | | A11 | black | | | |
| | P13 | cinnamon brown | | | | | C51 | graphite grey | | | |
| 19 | 996 552 967 04 | trim for switch leather | /L | 01 | 1 IXNN | | S31 | savanna | | | |
| | A11 | black | | | | | G11 | metropole blue | | | |
| | C51 | graphite grey | | | | | J31 | nephrite green | | | |
| | S31 | savanna | | | | | M31 | boxster red | | | |
| | G11 | metropole blue | | | | | D12 | dark grey | | | |
| | | | | | | | T12 | brown/natural | | | |

| | | | | | | | | | | | |
|-------|------|----|----|--------------|--------------|-----|-------|------------|---------|-----|---------|
| Model | Year | MG | SG | Illustration | Restrictions | UPD | 20:03 | 24.01.2010 | PORSCHE | PET | PORSCHE |
| 996T | 2005 | 8 | 09 | 809-01 | | 248 | | | | | |

| Pos | Part Number | Description | Remark | Qty | Model | Pos | Part Number | Description | Remark | Qty | Model |
|------|----------------|--------------------------------------|--------|-----|--------|------|----------------|-------------------------------------|--------|-----|-------|
| | P12 | cinnamon brown | | | | 27 | 996 552 173 01 | shelf driver's side lacquered | | 1 | |
| 21 | 996 552 968 05 | trim for switch rootwood light | /R | 01 | 1 IXKR | | A03 | black | | | |
| 21 | 996 552 968 06 | trim for switch rootwood dark | /R | 01 | 1 IXKS | | C53 | graphite grey | | | |
| 21 | 996 552 968 07 | trim for switch carbon | /R | 01 | 1 IXNR | | S33 | savanna | | | |
| 23 | 996 552 677 00 | frame | | 1 | | | G13 | metropole blue | | | |
| | 01C | satin black | | | | | J33 | nephrite green | | | |
| (23) | 996 552 339 00 | frame air-conditioning switch | | 1 | M662 | | M33 | boxster red | | | |
| | 01C | satin black | | | | (28) | P13 | cinnamon brown | | | |
| 24 | 996 552 673 02 | retaining bar radio | | 1 | | | 999 591 712 40 | expansion rivet 6,0 X 12,0 | | 2 | |
| (24) | 996 552 653 01 | retaining bar | | 1 | M662 | | | | | | |
| 25 | 999 073 218 09 | oval-head screw 4,2 X 16 | | 2 | | | | | | | |
| 26 | 996 552 253 01 | shelf instead of radio | | 1 | | | | | | | |
| | 01C | satin black | | | | | | | | | |
| 26 | 996 552 994 01 | shelf leather | | 1 | IXMF | | | | | | |
| | A11 | black | | | | | | | | | |
| | C51 | graphite grey | | | | | | | | | |
| | S31 | savanna | | | | | | | | | |
| | J31 | nephrite green | | | | | | | | | |
| | M31 | boxster red | | | | | | | | | |
| | G11 | metropole blue | | | | | | | | | |
| | D12 | dark grey | | | | | | | | | |
| | T12 | brown/natural | | | | | | | | | |
| | P12 | cinnamon brown | | | | | | | | | |

| | | | | | | | | | | | |
|-------|------|----|----|--------------|--------------|-----|-------|------------|---------|-----|---------|
| Model | Year | MG | SG | Illustration | Restrictions | UPD | 20:03 | 24.01.2010 | PORSCHE | PET | PORSCHE |
| 996T | 2005 | 8 | 09 | 809-02 | | 248 | | | | | |



| Pos | Part Number | Description | Remark | Qty | Model |
|-----|----------------|-------------------------------|--------|-----|-------|
| 1 | 996 552 541 02 | accessories dashboard trim | 02- | 1 | |
| 2 | 996 653 251 00 | mounting light | | 1 | M573 |
| 3 | 999 919 120 09 | sensor | | 2 | |
| 3 | 999 919 120 09 | oval-head screw 4,0 X 18 | | 2 | |
| 4 | 996 552 225 06 | side vent lacquered | /L | 1 | |
| | | A03 black | | | |
| | | C53 graphite grey | | | |
| | | S33 savanna | | | |
| | | G13 metropole blue | | | |
| | | J33 nephrite green | | | |
| | | M33 boxster red | | | |
| | | P13 cinnamon brown | | | |
| (4) | 996 552 228 06 | side vent lacquered | /R | 1 | |
| | | A03 black | | | |
| | | C53 graphite grey | | | |
| | | S33 savanna | | | |
| | | G13 metropole blue | | | |
| | | J33 nephrite green | | | |
| | | M33 boxster red | | | |
| | | P13 cinnamon brown | | | |
| 4 | 996 552 984 00 | side vent leather | /L | 1 | IXN3 |
| | | VRK black | | | |
| | | C51 graphite grey | | | |
| | | S31 savanna | | | |
| | | G11 metropole blue | | | |
| | | J31 nephrite green | | | |

| | | | | | | | | | | | |
|-------|------|----|----|--------------|--------------|-----|-------|------------|---------|-----|---------|
| Model | Year | MG | SG | Illustration | Restrictions | UPD | 20:03 | 24.01.2010 | PORSCHE | PET | PORSCHE |
| 996T | 2005 | 8 | 09 | 809-02 | | 248 | | | | | |

| Pos | Part Number | Description | Remark | Qty | Model | Pos | Part Number | Description | Remark | Qty | Model |
|-----|----------------|--------------------------|--------|-----|-------|-----|----------------|---------------------------------|--------|-----|-------|
| | M31 | boxster red | | | | | C51 | graphite grey | | | |
| | D12 | dark grey | | | | | S31 | savanna | | | |
| | T12 | brown/natural | | | | | J31 | nephrite green | | | |
| | P12 | cinnamon brown | | | | | M31 | boxster red | | | |
| (4) | 996 552 985 00 | side vent leather | /R | 1 | IXN3 | | G11 | metropole blue | | | |
| | VRK | black | | | | | D12 | dark grey | | | |
| | C51 | graphite grey | | | | | T12 | brown/natural | | | |
| | S31 | savanna | | | | | P12 | cinnamon brown | | | |
| | G11 | metropole blue | | | | (4) | 996 552 984 05 | side vent arctic silver leather | /L | 1 | IXKE |
| | J31 | nephrite green | | | | | VRK | black | | | |
| | M31 | boxster red | | | | | C51 | graphite grey | | | |
| | D12 | dark grey | | | | | S31 | savanna | | | |
| | T12 | brown/natural | | | | | J31 | nephrite green | | | |
| | P12 | cinnamon brown | | | | | M31 | boxster red | | | |
| 4 | 996 552 984 03 | side vent carbon leather | /L | 1 | IXKD | | G11 | metropole blue | | | |
| | VRK | black | | | | | D12 | dark grey | | | |
| | C51 | graphite grey | | | | | T12 | brown/natural | | | |
| | S31 | savanna | | | | | P12 | cinnamon brown | | | |
| | J31 | nephrite green | | | | 4 | 996 552 985 05 | side vent arctic silver leather | /R | 1 | IXKE |
| | M31 | boxster red | | | | | VRK | black | | | |
| | G11 | metropole blue | | | | | C51 | graphite grey | | | |
| | D12 | dark grey | | | | | S31 | savanna | | | |
| | T12 | brown/natural | | | | | J31 | nephrite green | | | |
| | P12 | cinnamon brown | | | | | M31 | boxster red | | | |
| (4) | 996 552 985 03 | side vent carbon leather | /R | 1 | IXKD | | G11 | metropole blue | | | |
| | VRK | black | | | | | D12 | dark grey | | | |
| | | | | | | | T12 | brown/natural | | | |

| | | | | | | | | | | | |
|-------|------|----|----|--------------|--------------|-----|-------|------------|---------|-----|---------|
| Model | Year | MG | SG | Illustration | Restrictions | UPD | 20:03 | 24.01.2010 | PORSCHE | PET | PORSCHE |
| 996T | 2005 | 8 | 09 | 809-02 | | 248 | | | | | |

| Pos | Part Number | Description | Remark | Qty | Model | Pos | Part Number | Description | Remark | Qty | Model |
|-----|----------------|---|--------|-----|--------|-----|----------------|--|--------|-----|--------|
| 4 | 996 552 984 02 | P12 cinnamon brown side vent rootwood dark grey leather | /L | 1 | IXKC | | M31 | boxster red | | | |
| | VRK | black | | | | | P12 | cinnamon brown | | | |
| | C51 | side vent | | | | | D12 | dark grey/natural | | | |
| | S31 | savanna | | | | | T12 | brown/natural | | | |
| | J31 | nephrite green | | | | (4) | 996 552 985 07 | side vent aluminium look leather | /R | 03- | 1 IXCC |
| | M31 | boxster red | | | | | VRK | black | | | |
| | D12 | dark grey | | | | | C51 | graphite grey | | | |
| | T12 | brown/natural | | | | | S31 | savanna | | | |
| | P12 | cinnamon brown | | | | | G11 | metropole blue | | | |
| (4) | 996 552 985 02 | side vent rootwood dark grey leather | /R | 1 | IXKC | | J31 | nephrite green | | | |
| | VRK | black | | | | | M31 | boxster red | | | |
| | C51 | side vent | | | | | P12 | cinnamon brown | | | |
| | S31 | savanna | | | | | D12 | dark grey/natural | | | |
| | J31 | nephrite green | | | | | T12 | brown/natural | | | |
| | M31 | boxster red | | | | 5 | 996 552 621 01 | cover headlight levelling system lacquered | | 1 | |
| | D12 | dark grey | | | | | A03 | black | | | |
| | T12 | brown/natural | | | | | C53 | graphite grey | | | |
| | P12 | cinnamon brown | | | | | S33 | savanna | | | |
| 4 | 996 552 984 07 | side vent aluminium look leather | /L | 03- | 1 IXCC | | G13 | metropole blue | | | |
| | VRK | black | | | | | J33 | nephrite green | | | |
| | C51 | graphite grey | | | | | M33 | boxster red | | | |
| | S31 | savanna | | | | | P13 | cinnamon brown | | | |
| | G11 | metropole blue | | | | 5 | 996 552 986 00 | cover headlight levelling system leather | | 1 | IXNH |
| | J31 | nephrite green | | | | | A11 | black | | | |
| | | | | | | | C51 | graphite grey | | | |
| | | | | | | | S31 | savanna | | | |

| | | | | | | | | | | | |
|-------|------|----|----|--------------|--------------|-----|-------|------------|---------|-----|---------|
| Model | Year | MG | SG | Illustration | Restrictions | UPD | 20:03 | 24.01.2010 | PORSCHE | PET | PORSCHE |
| 996T | 2005 | 8 | 09 | 809-02 | | 248 | | | | | |

| Pos | Part Number | Description | Remark | Qty | Model | Pos | Part Number | Description | Remark | Qty | Model |
|-----|----------------|---|--------|-----|---------------|-----|--------------------|---|--------|-----|-------|
| | J31 | nephrite green | | | | | M31 | boxster red | | | |
| | M31 | boxster red | | | | | G11 | metropole blue | | | |
| | G11 | metropole blue | | | | | D12 | dark grey | | | |
| | D12 | dark grey | | | | | T12 | brown/natural | | | |
| | T12 | brown/natural | | | | | P12 | cinnamon brown | | | |
| | P12 | cinnamon brown | | | | 7 | 999 073 218 09 | tapping screw 4,2 X 16 | | 4 | |
| 5 | 996 552 986 01 | cover | | 2 | TURBO IXKB | 8 | 996 552 235 03 | rosette ignition starter lock | /LL | 1 | |
| | | headlight levelling system rootwood light | | | | | A03 | black | | | |
| 5 | 996 552 986 02 | cover | | 2 | TURBO IXKC | | C53 | graphite grey | | | |
| | | headlight levelling system rootwood dark | | | | | S33 | savanna | | | |
| 5 | 996 552 986 03 | cover | | 2 | IXKD | | G13 | metropole blue | | | |
| | | headlight levelling system carbon | | | | | J33 | nephrite green | | | |
| 6 | 996 552 417 02 | rosette interior sensor lacquered | | 1 | | | M33 | boxster red | | | |
| | | A03 black | | | | (8) | P13 cinnamon brown | | | | |
| | | C53 graphite grey | | | | | 996 552 236 03 | rosette ignition starter lock | /RL | 1 | |
| | | S33 savanna | | | | | A03 black | | | | |
| | | G13 metropole blue | | | | | C53 graphite grey | | | | |
| | | J33 nephrite green | | | | | S33 savanna | | | | |
| | | M33 boxster red | | | | | G13 metropole blue | | | | |
| | | P13 cinnamon brown | | | | | J33 nephrite green | | | | |
| 6 | 996 552 987 00 | rosette interior sensor leather | | 1 | IXNH | 8 | 996 552 980 00 | rosette ignition starter lock leather | /LL | 1 | IXJ4 |
| | | A11 black | | | | | A11 black | | | | |
| | | C51 graphite grey | | | | | C51 graphite grey | | | | |
| | | S31 savanna | | | | | S31 savanna | | | | |
| | | J31 nephrite green | | | | | | | | | |

| | | | | | | | | | | | |
|-------|------|----|----|--------------|--------------|-----|-------|------------|---------|-----|---------|
| Model | Year | MG | SG | Illustration | Restrictions | UPD | 20:03 | 24.01.2010 | PORSCHE | PET | PORSCHE |
| 996T | 2005 | 8 | 09 | 809-02 | | 248 | | | | | |

| Pos | Part Number | Description | Remark | Qty | Model | Pos | Part Number | Description | Remark | Qty | Model |
|-----|----------------|---|--------|-----|-------|------|----------------|---------------------------------|--------|-----|--------------|
| | G11 | metropole blue | | | | | G11 | metropole blue | | | |
| | J31 | nephrite green | | | | | J31 | nephrite green | | | |
| | M31 | boxster red | | | | | M31 | boxster red | | | |
| | P12 | cinnamon brown | | | | | D12 | dark grey/natural | | | |
| | D12 | dark grey/natural | | | | | T12 | brown/natural | | | |
| | T12 | brown/natural | | | | | C51 | graphite grey | | | |
| (8) | 996 552 980 01 | rosette ignition starter lock leather | /RL | 1 | IXJ4 | | P12 | cinnamon brown | | | |
| | A11 | black | | | | 10 | 999 919 123 09 | oval-head screw 5,0 X 20 | | 8 | |
| | C51 | graphite grey | | | | 12 | 996 552 183 00 | support beverages | /LL | 1 | |
| | S31 | savanna | | | | | 01C | satin black | | | |
| | G11 | metropole blue | | | | (12) | 996 552 184 00 | support beverages | /RL | 1 | |
| | J31 | nephrite green | | | | | 01C | satin black | | | |
| | M31 | boxster red | | | | 12 | 996 552 958 00 | support beverages leather | /LL | 1 | IXKR/XKS/XNN |
| | P12 | cinnamon brown | | | | | A11 | black | | | |
| | D12 | dark grey/natural | | | | | C51 | graphite grey | | | |
| | T12 | brown/natural | | | | | S31 | savanna | | | |
| 9 | 996 552 271 03 | cover steering | | 1 | | | G11 | metropole blue | | | |
| | A03 | black | | | | | J31 | nephrite green | | | |
| | C53 | graphite grey | | | | | M31 | boxster red | | | |
| | S33 | savanna | | | | | P12 | cinnamon brown | | | |
| | G13 | metropole blue | | | | | D12 | dark grey/natural | | | |
| | J33 | nephrite green | | | | | T12 | brown/natural | | | |
| | M33 | boxster red | | | | (12) | 996 552 958 01 | support beverages leather | /RL | 1 | IXKR/XKS/XNN |
| | P13 | cinnamon brown | | | | | A11 | black | | | |
| 9 | 986 552 988 03 | cover steering | | 1 | IXNS | | C51 | graphite grey | | | |
| | VRK | black | | | | | | | | | |
| | S31 | savanna | | | | | | | | | |

| | | | | | | | | | | | |
|-------|------|----|----|--------------|--------------|-----|-------|------------|---------|-----|---------|
| Model | Year | MG | SG | Illustration | Restrictions | UPD | 20:03 | 24.01.2010 | PORSCHE | PET | PORSCHE |
| 996T | 2005 | 8 | 09 | 809-02 | | 248 | | | | | |

| Pos | Part Number | Description | Remark | Qty | Model | Pos | Part Number | Description | Remark | Qty | Model |
|------|----------------|-----------------------|--------|-----|-----------|------|----------------|------------------------------|--------|-----|-----------|
| | S31 | savanna | | | | | J31 | nephrite green | -03 | | |
| | G11 | metropole blue | | | | | M31 | boxster red | | | |
| | J31 | nephrite green | | | | | D12 | dark grey | | | |
| | M31 | boxster red | | | | | T12 | brown/natural | | | |
| | P12 | cinnamon brown | | | | | P12 | cinnamon brown | | | |
| | D12 | dark grey/natural | | | | (13) | 996 552 969 26 | support frame leather | 03- | 1 | IXNN/M665 |
| | T12 | brown/natural | | | | | A11 | black | | | |
| 13 | 996 552 231 11 | support frame | | 1 | | | C51 | graphite grey | | | |
| | 01C | satin black | | | | | S31 | savanna | | | |
| (13) | 996 552 231 13 | support frame | 02 | 1 | M662 | | G11 | metropole blue | | | |
| | 01C | satin black | | | | | J31 | nephrite green | -03 | | |
| (13) | 996 552 231 12 | support frame | 03- | 1 | M665 | | M31 | boxster red | | | |
| | 01C | satin black | | | | | D12 | dark grey | | | |
| (13) | 996 552 969 25 | support frame leather | | 1 | IXNN | | T12 | brown/natural | | | |
| | A11 | black | | | | | P12 | cinnamon brown | | | |
| | C51 | graphite grey | | | | 13 | 996 552 969 28 | support frame rootwood light | 02- | 1 | IXKR |
| | S31 | savanna | | | | (13) | 996 552 969 30 | support frame rootwood light | 02 | 1 | /662 IXKR |
| | G11 | metropole blue | | | | | | | | | |
| | J31 | nephrite green | -03 | | | (13) | 996 552 969 29 | support frame rootwood light | 03- | 1 | /665 IXKR |
| | M31 | boxster red | | | | | | | | | |
| | D12 | dark grey | | | | 13 | 996 552 969 31 | support frame rootwood dark | 02- | 1 | IXKS |
| | T12 | brown/natural | | | | (13) | 996 552 969 33 | support frame rootwood dark | 02 | 1 | /662 IXKS |
| (13) | 996 552 969 27 | support frame leather | 02 | 1 | IXNN/M662 | | | | | | |
| | A11 | black | | | | | | | | | |
| | C51 | graphite grey | | | | | | | | | |
| | S31 | savanna | | | | | | | | | |
| | G11 | metropole blue | | | | | | | | | |

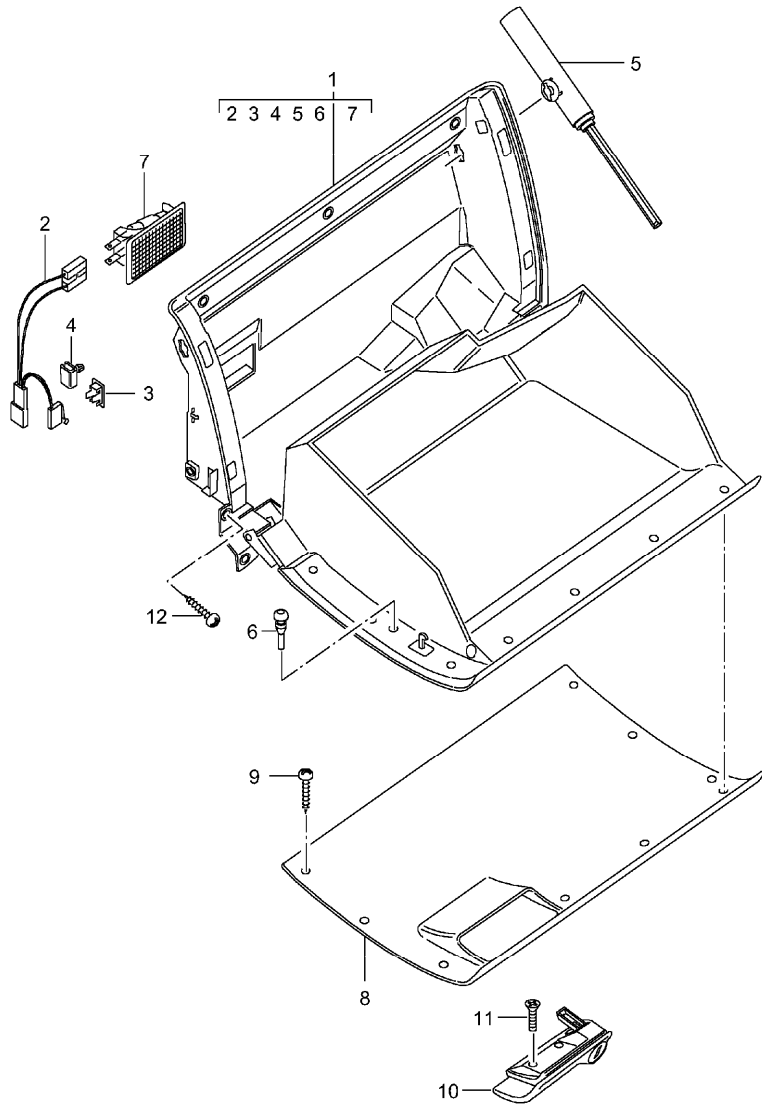
| | | | | | | | | | | | |
|-------|------|----|----|--------------|--------------|-----|-------|------------|---------|-----|---------|
| Model | Year | MG | SG | Illustration | Restrictions | UPD | 20:03 | 24.01.2010 | PORSCHE | PET | PORSCHE |
| 996T | 2005 | 8 | 09 | 809-02 | | 248 | | | | | |

| Pos | Part Number | Description | Remark | Qty | Model | Pos | Part Number | Description | Remark | Qty | Model |
|------|----------------|-----------------------------------|--------|-----|--------------|-----|-------------------|--|--------|-----|-------|
| (13) | 996 552 969 32 | support frame rootwood dark | 03- | 1 | /665 IXKS | | C51 | graphite grey | | | |
| 13 | 996 552 969 34 | support frame carbon | 02- | 1 | IXNR | | S31 | savanna | | | |
| 13 | 996 552 969 36 | support frame carbon | 02 | 1 | /662 IXNR | | G11 | metropole blue | | | |
| 13 | 996 552 969 35 | support frame carbon | 03- | 1 | /665 IXNR | | J31 | nephrite green | | | |
| 15 | 999 507 768 02 | speed nut 4,2 | | 16 | | | M31 | boxster red | | | |
| (15) | 999 507 767 02 | speed nut 4,2 | | 2 | | | P12 | cinnamon brown | | | |
| 16 | 999 073 218 09 | tapping screw 4,2 X 16 | | 4 | | | D12 | dark grey/natural | | | |
| 17 | 900 143 076 09 | tapping screw 4,2 X 25 | | 2 | M573 | | T12 | brown/natural | | | |
| 18 | 996 552 263 01 | centre nozzle 01C satin black | | 1 | | | 19 996 552 233 06 | trim for switch upper part/lower part | | 1 | |
| (18) | 996 552 950 00 | centre nozzle | 02- | 1 | +XNN | | A03 | black | | | |
| | A11 | black | | | | | C53 | graphite grey | | | |
| | C51 | graphite grey | | | | | S33 | savanna | | | |
| | S31 | savanna | | | | | G13 | metropole blue | | | |
| | G11 | metropole blue | | | | | J33 | nephrite green | -03 | | |
| | J31 | nephrite green | | | | | M33 | boxster red | | | |
| | M31 | boxster red | | | | | P13 | cinnamon brown | | | |
| | P12 | cinnamon brown | | | | | 19 996 552 967 08 | trim for switch leather | | 1 | IXNN |
| | D12 | dark grey/natural | | | | | A11 | black | | | |
| | T12 | brown/natural | | | | | C51 | graphite grey | | | |
| 18 | 996 552 951 00 | centre nozzle aluminium look | 03- | 1 | IXCD | | S31 | savanna | | | |
| | A11 | black | | | | | G11 | metropole blue | | | |
| | | | | | | | S31 | savanna | | | |
| | | | | | | | G11 | metropole blue | | | |
| | | | | | | | J31 | nephrite green | | | |
| | | | | | | | M31 | boxster red | | | |
| | | | | | | | D12 | dark grey | | | |
| | | | | | | | T12 | brown/natural | | | |
| | | | | | | | 19 996 552 967 09 | trim for switch rootwood light | | 1 | IXKR |
| | | | | | | | P12 | cinnamon brown | | | |

| | | | | | | | | | | | |
|-------|------|----|----|--------------|--------------|-----|-------|------------|---------|-----|---------|
| Model | Year | MG | SG | Illustration | Restrictions | UPD | 20:03 | 24.01.2010 | PORSCHE | PET | PORSCHE |
| 996T | 2005 | 8 | 09 | 809-02 | | 248 | | | | | |

| Pos | Part Number | Description | Remark | Qty | Model | Pos | Part Number | Description | Remark | Qty | Model |
|------|----------------|-------------------------------------|--------|-----|------------------|-----|----------------|----------------------|--------|-----|-------|
| 19 | 996 552 967 10 | trim for switch rootwood dark | | 1 | IXKS | 23 | 996 552 994 01 | shelf leather | 02 | 1 | IXMF |
| 19 | 996 552 967 11 | trim for switch carbon | | 1 | IXNR | | A11 | black | | | |
| 19 | 996 552 967 13 | trim for switch arctic silver | | 1 | IXKW | | C51 | graphite grey | | | |
| 20 | 996 552 673 03 | retaining bar radio | | 1 | | | S31 | savanna | | | |
| (20) | 996 552 653 03 | retaining bar | 02 | 1 | M662 | | J31 | nephrite green | | | |
| (20) | 996 552 653 02 | retaining bar | 03- | 1 | M665 | | M31 | boxster red | | | |
| 21 | 999 073 218 09 | oval-head screw 4,2 X 16 | | 2 | | | G11 | metropole blue | | | |
| 22 | 986 552 153 00 | frame air-conditioning switch | | 1 | M574 | | D12 | dark grey | | | |
| | 01C | satin black | | | | 24 | --- | see group 4/03/06 | | 1 | |
| 22 | 996 552 677 01 | frame air-conditioning switch | | 1 | M573 | 25 | 996 653 241 00 | interior sensor | | 1 | |
| | 01C | satin black | | | | | | | | | |
| (22) | 996 552 992 00 | frame air-conditioning switch | | 1 | /573 IXKW/XNN | | | | | | |
| | A11 | black | | | | | | | | | |
| | C51 | graphite grey | | | | | | | | | |
| | S31 | savanna | | | | | | | | | |
| | J31 | nephrite green | | | | | | | | | |
| | M31 | boxster red | | | | | | | | | |
| | G11 | metropole blue | | | | | | | | | |
| | D12 | dark grey/natural | | | | | | | | | |
| | T12 | brown/natural | | | | | | | | | |
| | P12 | cinnamon brown | | | | | | | | | |
| 23 | 996 552 253 01 | shelf instead of radio | | 1 | | | | | | | |
| | 01C | satin black | | | | | | | | | |

| | | | | | | | | | | | |
|-------|------|----|----|--------------|--------------|-----|-------|------------|---------|-----|---------|
| Model | Year | MG | SG | Illustration | Restrictions | UPD | 20:03 | 24.01.2010 | PORSCHE | PET | PORSCHE |
| 996T | 2005 | 8 | 09 | 809-03 | | 248 | | | | | |

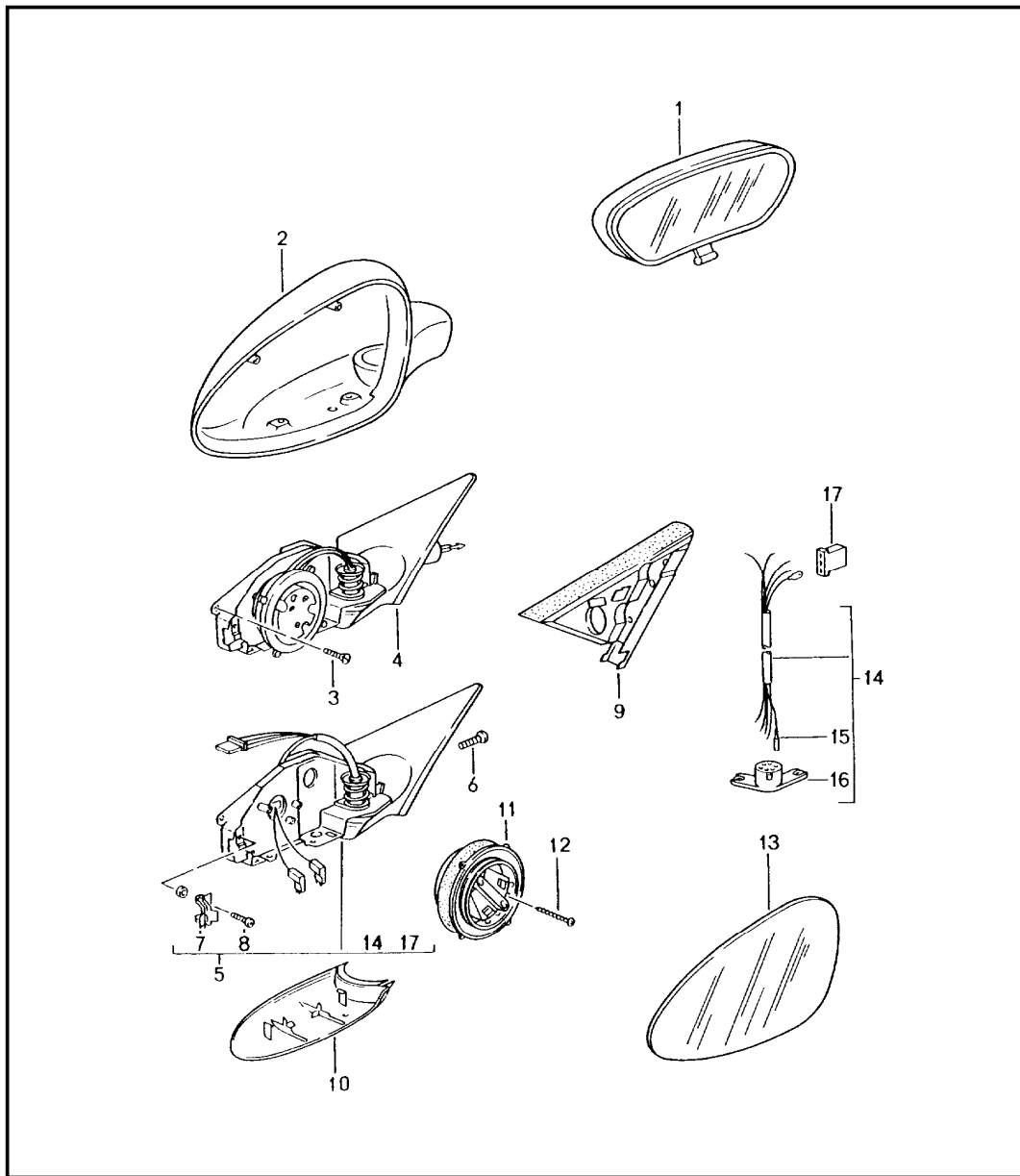


| Pos | Part Number | Description | Remark | Qty | Model |
|-----|----------------|-------------------------------------|--------|-----|-------|
| | | glove compartment | 02- | | |
| 1 | 996 552 119 00 | glove compartment | /LL | 1 | |
| | 01C | satin black | | | |
| (1) | 996 552 120 00 | glove compartment | /RL | 1 | |
| | 01C | satin black | | | |
| 2 | 996 622 501 00 | wiring harness | | 1 | |
| 3 | 999 650 564 40 | clip for wiring harness microswitch | | 1 | |
| 4 | 999 650 565 40 | clip for wiring harness | | 1 | |
| 5 | 996 552 779 00 | damper | | 2 | |
| 6 | 999 703 491 50 | buffer 7 X 9,5 X 19,5 | | 2 | |
| 7 | 928 632 101 00 | glove compartment light | | 1 | |
| 8 | 996 552 133 00 | glove compartment cover leatherette | /LL | 1 | |
| | A12 | black | | | |
| | C52 | graphite grey | | | |
| | S32 | savanna | | | |
| | G12 | metropole blue | | | |
| | J32 | nephrite green | | | |
| (8) | 996 552 134 00 | glove compartment cover leatherette | /RL | 1 | |
| | A12 | black | | | |
| | C52 | graphite grey | | | |
| | S32 | savanna | | | |
| | G12 | metropole blue | | | |
| | J32 | nephrite green | | | |
| 8 | 996 552 133 01 | glove compartment cover leather | /LL | 1 | |

| | | | | | | | | | | | |
|-------|------|----|----|--------------|--------------|-----|-------|------------|---------|-----|---------|
| Model | Year | MG | SG | Illustration | Restrictions | UPD | 20:03 | 24.01.2010 | PORSCHE | PET | PORSCHE |
| 996T | 2005 | 8 | 09 | 809-03 | | 248 | | | | | |

| Pos | Part Number | Description | Remark | Qty | Model | Pos | Part Number | Description | Remark | Qty | Model |
|------|----------------|------------------------------------|---------|-----|-------|------|----------------|--|---------|-----|-------|
| | A11 | black | | | | | V03 | silver | | | |
| | C51 | graphite grey | | | | (10) | 996 552 350 01 | handle | /RL 03- | 1 | |
| | S31 | savanna | | | | | V03 | silver | | | |
| | G11 | metropole blue | | | | -- | 996 552 915 00 | lock cylinder glove compartment vehicle identification no. indicate | | 1 | |
| | J31 | nephrite green | | | | | | | | | |
| | M31 | boxster red | | | | 11 | 999 073 240 02 | screw M 4 X 10 | | 2 | |
| | P12 | cinnamon brown | | | | 12 | 999 073 169 07 | tapping screw 4,8 X 16 | | 7 | |
| | D12 | dark grey | | | | | | | | | |
| | T12 | brown/natural | | | | | | | | | |
| (8) | 996 552 134 01 | glove compartment cover leather | /RL | 1 | | | | | | | |
| | A11 | black | | | | | | | | | |
| | C51 | graphite grey | | | | | | | | | |
| | S31 | savanna | | | | | | | | | |
| | G11 | metropole blue | | | | | | | | | |
| | J31 | nephrite green | | | | | | | | | |
| | M31 | boxster red | | | | | | | | | |
| | P12 | cinnamon brown | | | | | | | | | |
| | D12 | dark grey | | | | | | | | | |
| | T12 | brown/natural | | | | | | | | | |
| 9 | 999 073 249 07 | tapping screw 3,5 X 11 | | 02 | 11 | | | | | | |
| 9 | 999 073 308 07 | tapping screw 3,5 X 12 | | 03- | 11 | | | | | | |
| 10 | 996 552 349 00 | handle complete | /LL | 1 | | | | | | | |
| | V01 | silver | | | | | | | | | |
| (10) | 996 552 350 00 | handle complete | /RL | 1 | | | | | | | |
| | V01 | silver | | | | | | | | | |
| 10 | 996 552 349 01 | handle | /LL 03- | 1 | | | | | | | |

| | | | | | | | | | | | |
|-------|------|----|----|--------------|--------------|-----|-------|------------|---------|-----|---------|
| Model | Year | MG | SG | Illustration | Restrictions | UPD | 20:04 | 24.01.2010 | PORSCHE | PET | PORSCHE |
| 996T | 2005 | 8 | 09 | 809-10 | | 248 | | | | | |



| Pos | Part Number | Description | Remark | Qty | Model |
|-----|----------------|---|--------|-----|-----------|
| 1 | 996 731 511 01 | interior mirror door mirror | | 1 | |
| | 01C | satin black | | | |
| 1 | 996 731 511 02 | interior mirror | | 1 | M265 |
| | 01C | satin black | | | |
| - | 996 731 811 01 | cover | /L | 1 | M265 |
| | 01C | satin black | | | |
| - | 996 731 812 01 | cover | /R | 1 | M265 |
| | 01C | satin black | | | |
| 2 | 996 731 619 00 | housing | /L | 1 | |
| | G2L | prime coated | | | |
| (2) | 996 731 620 00 | housing | /R | 1 | |
| | G2L | prime coated | | | |
| 2 | 996 731 619 30 | housing | /L | 04- | M 804/GT2 |
| (2) | 996 731 620 30 | housing carbon | /R | 04- | M 804/GT2 |
| 3 | 999 919 170 02 | countersunk-head screw 3,0 X 10 | | 6 | |
| 5 | 996 731 219 00 | mirror base door mirror electrically adjustable | /LL/L | 1 | |
| | G2L | prime coated | | | |
| (5) | 996 731 219 04 | mirror base door mirror electrically adjustable | /LL/L | 1 | M266 |
| | G2L | prime coated | | | |
| (5) | 996 731 219 02 | mirror base door mirror electrically adjustable | /LL/L | 1 | M537 |
| | G2L | prime coated | | | |
| (5) | 996 731 219 05 | mirror base door mirror electrically adjustable | /LL/L | 1 | M266/537 |

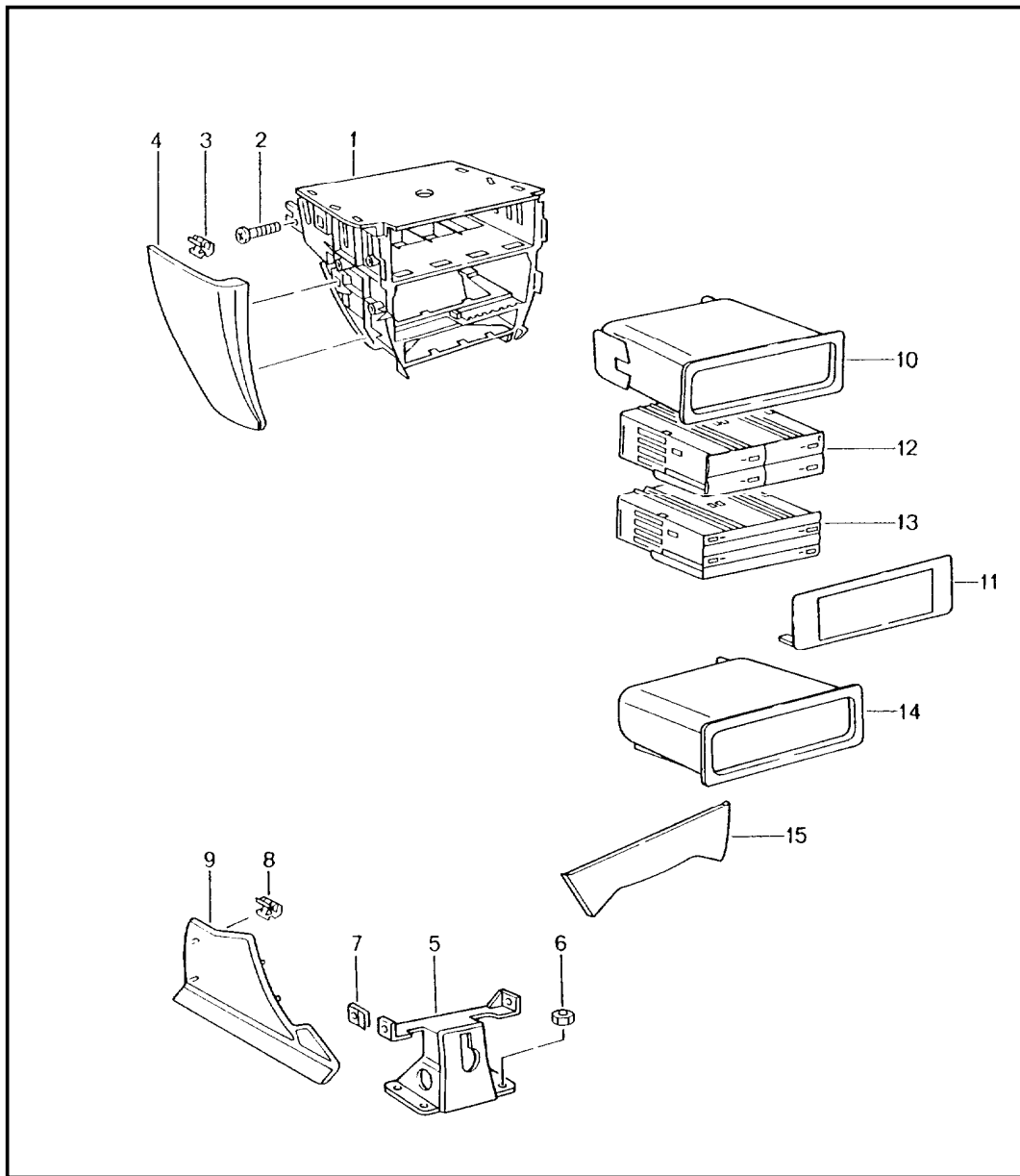
| | | | | | | | | | | | |
|-------|------|----|----|--------------|--------------|-----|-------|------------|---------|-----|---------|
| Model | Year | MG | SG | Illustration | Restrictions | UPD | 20:04 | 24.01.2010 | PORSCHE | PET | PORSCHE |
| 996T | 2005 | 8 | 09 | 809-10 | | 248 | | | | | |

| Pos | Part Number | Description | Remark | Qty | Model | Pos | Part Number | Description | Remark | Qty | Model |
|-----|----------------|---|--------|-----|----------|------|------------------|-----------------------------|--------|-----|----------|
| | | G2L prime coated | | | | 9 | 996 537 731 00 | filler piece | /L | 1 | |
| (5) | 996 731 220 00 | mirror base door mirror electrically adjustable | /LL/R | 1 | | (9) | 996 537 732 00 | filler piece outer | /R | 1 | |
| | | G2L prime coated | | | | (9) | 996 537 733 00 | filler piece | /L | 1 | |
| (5) | 996 731 220 02 | mirror base door mirror electrically adjustable | /LL/R | 1 | M537 | (9) | 996 537 734 00 | filler piece inner | /R | 1 | |
| | | G2L prime coated | | | | 10 | 996 731 719 00 | cover lower | /L | 1 | |
| (5) | 996 731 219 01 | mirror base door mirror electrically adjustable | /RL/L | 1 | | | G2L prime coated | | | | |
| | | G2L prime coated | | | | (10) | 996 731 720 00 | cover lower | /R | 1 | |
| (5) | 996 731 219 03 | mirror base door mirror electrically adjustable | /RL/L | 1 | M538 | | G2L prime coated | | | | |
| | | G2L prime coated | | | | 11 | 996 624 047 00 | adjusting motor | | 2 | |
| (5) | 996 731 220 01 | mirror base door mirror electrically adjustable | /RL/R | 1 | | (11) | 996 624 048 00 | adjusting motor | | 2 | M537/538 |
| | | G2L prime coated | | | | 12 | 900 278 013 02 | oval-head screw M 3 X 30 | | 6 | |
| (5) | 996 731 220 04 | mirror base door mirror electrically adjustable | /RL/R | 1 | M266 | 13 | 996 731 035 01 | mirror glass plane | /L | 1 | M270 |
| | | G2L prime coated | | | | 13 | 996 731 035 03 | mirror glass plane | /L | 1 | M266/270 |
| (5) | 996 731 220 03 | mirror base door mirror electrically adjustable | /RL/R | 1 | M538 | (13) | 996 731 035 02 | mirror glass aspherical | /L | 1 | M271 |
| | | G2L prime coated | | | | (13) | 996 731 035 04 | mirror glass aspherical | | 1 | M266/271 |
| (5) | 996 731 220 05 | mirror base door mirror electrically adjustable | /RL/R | 1 | M266/538 | (13) | 996 731 037 01 | mirror glass convex | /RL/L | 1 | |
| | | G2L prime coated | | | | (13) | 996 731 036 01 | mirror glass plane | /RL/R | 1 | M270 |
| 6 | 999 073 125 02 | oval-head screw M 5 X 14 | | 6 | | (13) | 996 731 036 03 | mirror glass plane | /RL/R | 1 | M266/270 |
| 7 | 999 507 549 02 | spring clamp | | 2 | | (13) | 996 731 036 02 | mirror glass aspherical | /RL/R | 1 | M271 |
| 8 | 900 278 010 02 | oval-head screw | | 2 | | (13) | 996 731 036 04 | mirror glass aspherical | /RL/R | 1 | M266/271 |
| | | | | | | (13) | 996 731 038 02 | mirror glass convex | /LL/R | 1 | |

| | | | | | | | | | | | |
|-------|------|----|----|--------------|--------------|-----|-------|------------|---------|-----|---------|
| Model | Year | MG | SG | Illustration | Restrictions | UPD | 20:04 | 24.01.2010 | PORSCHE | PET | PORSCHE |
| 996T | 2005 | 8 | 09 | 809-10 | | 248 | | | | | |

| Pos | Part Number | Description | Remark | Qty | Model | Pos | Part Number | Description | Remark | Qty | Model |
|------|----------------|---------------------------------|--------|-----|----------|-----|-------------|-------------|--------|-----|-------|
| (13) | 996 731 038 04 | mirror glass convex | /LL/R | 1 | (SA) | | | | | | |
| (14) | 996 612 674 00 | wiring harness | | 1 | | | | | | | |
| 15 | 999 652 710 10 | cylindrical socket | | 30 | | | | | | | |
| 16 | 999 650 173 40 | pin connector socket 15-pole | | 2 | | | | | | | |
| 17 | 311 906 231 B | connector housing 3-pole | | 2 | | | | | | | |
| (17) | 999 650 177 40 | plug socket 8-pole | | 2 | M537/538 | | | | | | |
| (17) | 999 650 178 40 | slide 8-pole | | 2 | M537/538 | | | | | | |

| | | | | | | | | | | | |
|-------|------|----|----|--------------|--------------|-----|-------|------------|---------|-----|---------|
| Model | Year | MG | SG | Illustration | Restrictions | UPD | 20:04 | 24.01.2010 | PORSCHE | PET | PORSCHE |
| 996T | 2005 | 8 | 09 | 809-15 | | 248 | | | | | |



| Pos | Part Number | Description | Remark | Qty | Model |
|-----|----------------|-----------------------|--------|-----|-------------|
| 1 | 996 552 115 02 | centre console front | | 1 | |
| | | 01C satin black | | | |
| 1 | 996 552 973 01 | bracket | -03 | 1 | /TURBO IXMF |
| | | leather | | | |
| | | A11 black | | | |
| | | C51 graphite grey | | | |
| | | S31 savanna | | | |
| | | G11 metropole blue | | | |
| | | J31 nephrite green | | | |
| | | M31 boxster red | | | |
| | | D12 dark grey/natural | | | |
| | | T12 brown/natural | | | |
| | | P12 cinnamon brown | | | |
| 1 | 996 552 973 01 | bracket | 01- | 1 | /GT2 IXMF |
| | | leather | | | |
| | | A11 black | | | |
| | | D12 dark grey/natural | 02- | | |
| | | T12 brown/natural | 02- | | |
| 4 | 996 552 091 07 | cover leather | /L | 1 | |
| | | A11 black | | | |
| | | C51 graphite grey | | | |
| | | S31 savanna | | | |
| | | J31 nephrite green | | | |
| | | M31 boxster red | | | |
| | | G11 metropole blue | | | |
| | | D12 dark grey | | | |
| | | T12 brown/natural | | | |

| | | | | | | | | | | | |
|-------|------|----|----|--------------|--------------|-----|-------|------------|---------|-----|---------|
| Model | Year | MG | SG | Illustration | Restrictions | UPD | 20:04 | 24.01.2010 | PORSCHE | PET | PORSCHE |
| 996T | 2005 | 8 | 09 | 809-15 | | 248 | | | | | |

| Pos | Part Number | Description | Remark | Qty | Model | Pos | Part Number | Description | Remark | Qty | Model |
|-----|----------------|------------------------------|--------|-----|-------|------|----------------|---|--------|-----|------------------|
| (4) | 996 552 092 07 | cover leather | /R | 1 | | (9) | 996 552 114 02 | cover carpet | /R | 1 | |
| | A11 | black | | | | | A10 | black | | | |
| | C51 | graphite grey | | | | | C50 | graphite grey | | | |
| | S31 | savanna | | | | | S30 | savanna | | | |
| | J31 | nephrite green | | | | | J30 | nephrite green | | | |
| | M31 | boxster red | | | | | M30 | boxster red | | | |
| | G11 | metropole blue | | | | | G10 | metropole blue | | | |
| | D12 | dark grey | | | | | D11 | dark grey | | | |
| | T12 | brown/natural | | | | | T11 | brown/natural | | | |
| | P12 | cinnamon brown | | | | | P11 | cinnamon brown | | | |
| (5) | 996 552 267 05 | support lower | | 1 | | 10 | 996 552 253 01 | shelf | | 1 | |
| 6 | 999 084 629 09 | hexagon nut M 6 | | 4 | | 10 | 01C | satin black | | | |
| 7 | 999 920 011 40 | plug-in nut 5,0 X 1,0 X 8 | | 4 | | 10 | 996 552 994 01 | shelf leather | -02 | 1 | IXMF |
| 8 | 999 507 476 01 | clamp 8,0 X 10,2 | | 2 | | | A11 | black | | | |
| 9 | 996 552 113 02 | cover carpet | /L | 1 | | | C51 | graphite grey | | | |
| | A10 | black | | | | | S31 | savanna | | | |
| | C50 | graphite grey | | | | | J31 | nephrite green | | | |
| | S30 | savanna | | | | | M31 | boxster red | | | |
| | J30 | nephrite green | | | | | G11 | metropole blue | | | |
| | M30 | boxster red | | | | | D12 | dark grey | | | |
| | G10 | metropole blue | | | | | T12 | brown/natural | | | |
| | D11 | dark grey | | | | | P12 | cinnamon brown | | | |
| | T11 | brown/natural | | | | 11 | 996 552 443 00 | frame | | 1 | |
| | P11 | cinnamon brown | | | | (11) | 01C | satin black | | | |
| | | | | | | | 996 552 992 00 | frame air-conditioning switch leather | | 1 | IXKW/XNN M573 |
| | | | | | | | A11 | black | | | |
| | | | | | | | C51 | graphite grey | | | |

| | | | | | | | | | | | |
|-------|------|----|----|--------------|--------------|-----|-------|------------|---------|-----|---------|
| Model | Year | MG | SG | Illustration | Restrictions | UPD | 20:04 | 24.01.2010 | PORSCHE | PET | PORSCHE |
| 996T | 2005 | 8 | 09 | 809-15 | | 248 | | | | | |

| Pos | Part Number | Description | Remark | Qty | Model | Pos | Part Number | Description | Remark | Qty | Model |
|------|----------------|-------------------------|--------|-----|----------------|------|----------------|-------------------|--------|-----|----------------|
| | S31 | savanna | | | | | T12 | brown/natural | 00- | | |
| | G11 | metropole blue | | | | | P12 | cinnamon brown | 01- | | |
| | J31 | nephrite green | | | | (13) | 996 552 981 00 | box for cds | 01- | 1 | /GT2 IXMF |
| | M31 | boxster red | | | | | | leather | | | |
| | D12 | dark grey | | | | | A11 | black | | | |
| | T12 | brown/natural | | | | | D12 | dark grey/natural | 02- | | |
| | P12 | cinnamon brown | | | | | T12 | brown/natural | 02- | | |
| 12 | 996 552 763 00 | cassette box | -02 | 4 | M421 | 14 | 996 552 243 01 | shelf | | 1 | |
| (12) | 996 552 981 01 | cassette box leather | 01-02 | 1 | IXMF/M421 | | 01C | satin black | | | |
| | A11 | black | | | | 14 | 996 552 982 01 | shelf | -03 | 1 | /TURBO IXMF |
| | C51 | graphite grey | | | | | | leather | | | |
| | S31 | savanna | | | | | A11 | black | | | |
| | G11 | metropole blue | | | | | C51 | graphite grey | | | |
| | J31 | nephrite green | | | | | S31 | savanna | | | |
| | M31 | boxster red | | | | | J31 | nephrite green | | | |
| | D12 | dark grey/natural | 00- | | | | M31 | boxster red | | | |
| | T12 | brown/natural | 00- | | | | G11 | metropole blue | | | |
| | P12 | cinnamon brown | 01- | | | | D12 | dark grey | | | |
| 13 | 996 552 773 00 | box for cds | | 1 | M424 | | T12 | brown/natural | | | |
| (13) | 996 552 981 00 | box for cds leather | -03 | 1 | /TURBO IXMF | 14 | 996 552 982 01 | shelf | 01- | 1 | /GT2 IXMF |
| | A11 | black | | | | | | leather | | | |
| | C51 | graphite grey | | | | | A11 | black | | | |
| | S31 | savanna | | | | | D12 | dark grey/natural | 02- | | |
| | G11 | metropole blue | | | | | T12 | brown/natural | 02- | | |
| | J31 | nephrite green | | | | (14) | 996 552 963 00 | cover leather | 01- | 1 | IXMF/XNN |
| | M31 | boxster red | | | | | A11 | black | | | |
| | D12 | dark grey/natural | 00- | | | | C51 | graphite grey | | | |

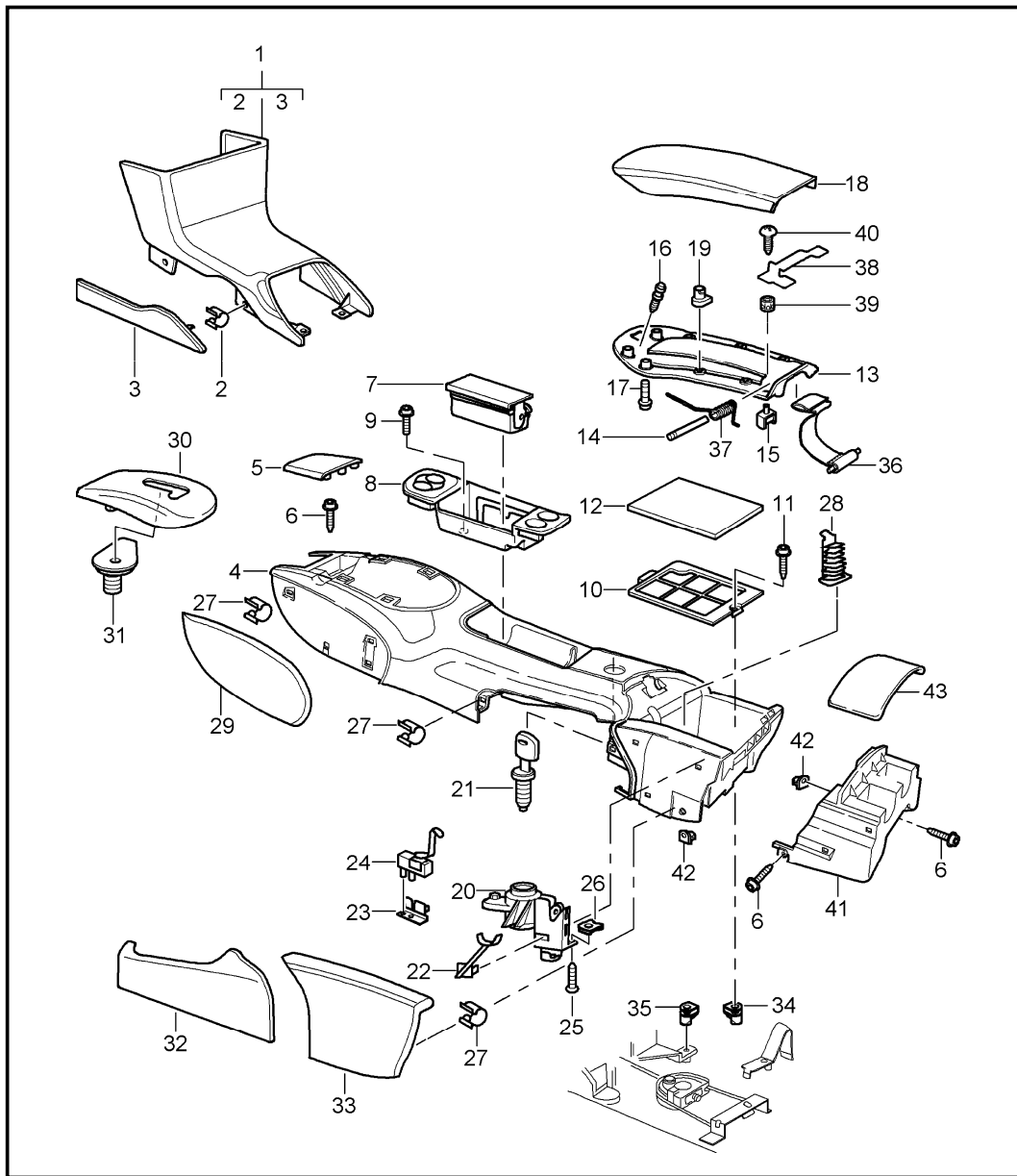
| | | | | | | | | | | | |
|-------|------|----|----|--------------|--------------|-----|-------|------------|---------|-----|---------|
| Model | Year | MG | SG | Illustration | Restrictions | UPD | 20:04 | 24.01.2010 | PORSCHE | PET | PORSCHE |
| 996T | 2005 | 8 | 09 | 809-15 | | 248 | | | | | |

| Pos | Part Number | Description | Remark | Qty | Model | Pos | Part Number | Description | Remark | Qty | Model |
|------|----------------|-----------------------------------|--------|-----|------------------|------|----------------|---------------------|--------|-----|------------------|
| | S31 | savanna | | | | (15) | 996 552 972 02 | trim for switch | | 1 | /581 IXKS |
| | J31 | nephrite green | | | | | | dark maple rootwood | | | |
| | M31 | boxster red | | | | (15) | 996 552 972 03 | trim for switch | | 1 | /139/340 IXKS |
| | G11 | metropole blue | | | | | | 2 hole | | | |
| | D12 | dark grey | | | | | | dark maple rootwood | | | |
| | T12 | brown/natural | | | | (15) | 996 552 972 04 | trim for switch | | 1 | /581 IXNR |
| | P12 | cinnamon brown | | | | | | carbon | | | |
| (14) | 996 552 963 01 | cover rootwood light | 01- | 1 | IXKR | (15) | 996 552 972 05 | trim for switch | | 1 | /139/340 IXNR |
| (14) | 996 552 963 02 | cover rootwood dark | 01- | 1 | IXKS | | | 2 hole carbon | | | |
| (14) | 996 552 963 04 | cover carbon | 01- | 1 | IXNR | 15 | 996 552 983 00 | trim for switch | 01- | 1 | TURBO IXMF |
| 15 | 996 552 335 00 | trim for switch | | 1 | | | A11 | black | | | |
| | 01C | satin black | | | | | C51 | graphite grey | | | |
| (15) | 996 552 335 02 | trim for switch 2 switch | | 1 | M139/340 | | S31 | savanna | | | |
| | 01C | satin black | | | | | J31 | nephrite green | | | |
| (15) | 996 552 315 01 | trim for switch | 05- | 1 | M092 | | M31 | boxster red | | | |
| | 01C | satin black | | | | | G11 | metropole blue | | | |
| (15) | 996 552 315 02 | trim for switch 2 switch | 05- | 1 | M092/342 | | D12 | dark grey/natural | | | |
| | 01C | satin black | | | | | T12 | brown/natural | | | |
| (15) | 996 552 972 00 | trim for switch | | 1 | /581 IXKR | 15 | 996 552 983 00 | trim for switch | 01- | 1 | TURBO IXNN |
| | | light maple rootwood | | | | | A11 | black | | | |
| (15) | 996 552 972 01 | trim for switch | | 1 | /139/340 IXKR | | C51 | graphite grey | | | |
| | | 2 hole light maple rootwood | | | | | S31 | savanna | | | |
| | | | | | | | J31 | nephrite green | | | |
| | | | | | | | M31 | boxster red | | | |
| | | | | | | | G11 | metropole blue | | | |
| | | | | | | | D12 | dark grey/natural | | | |

| | | | | | | | | | | | |
|-------|------|----|----|--------------|--------------|-----|-------|------------|---------|-----|---------|
| Model | Year | MG | SG | Illustration | Restrictions | UPD | 20:04 | 24.01.2010 | PORSCHE | PET | PORSCHE |
| 996T | 2005 | 8 | 09 | 809-15 | | 248 | | | | | |

| Pos | Part Number | Description | Remark | Qty | Model | Pos | Part Number | Description | Remark | Qty | Model |
|-----|----------------|----------------------------|--------|-----|---------------|------|----------------|------------------------|--------|-----|----------------------|
| | T12 | brown/natural | | | | (15) | 996 552 983 01 | trim for switch | 01- | 1 | IXMF/XNN M139/340 |
| | P12 | cinnamon brown | | | | | | 2 switch leather | | | |
| 15 | 996 552 983 00 | trim for switch leather | 01- | 1 | TURBO IXKW | | A11 | black | | | |
| | A11 | black | | | | | C51 | graphite grey | | | |
| | C51 | graphite grey | | | | | S31 | savanna | | | |
| | S31 | savanna | | | | | J31 | nephrite green | | | |
| | J31 | nephrite green | | | | | M31 | boxster red | | | |
| | M31 | boxster red | | | | | G11 | metropole blue | | | |
| | G11 | metropole blue | | | | | D12 | dark grey | | | |
| | D12 | dark grey/natural | | | | | T12 | brown/natural | | | |
| | T12 | brown/natural | | | | | P12 | cinnamon brown | | | |
| | P12 | cinnamon brown | | | | | | | | | |
| 15 | 996 552 983 00 | trim for switch leather | 01- | 1 | /GT2 IXMF | | | | | | |
| | A11 | black | | | | | | | | | |
| | D12 | dark grey/natural | 02- | | | | | | | | |
| | T12 | brown/natural | 02- | | | | | | | | |
| 15 | 996 552 983 00 | trim for switch leather | 01- | 1 | /GT2 IXNN | | | | | | |
| | A11 | black | | | | | | | | | |
| | D12 | dark grey/natural | 02- | | | | | | | | |
| | T12 | brown/natural | 02- | | | | | | | | |
| 15 | 996 552 983 00 | trim for switch leather | 01- | 1 | /GT2 IXKW | | | | | | |
| | A11 | black | | | | | | | | | |
| | D12 | dark grey/natural | 02- | | | | | | | | |
| | T12 | brown/natural | 02- | | | | | | | | |

| | | | | | | | | | | | |
|-------|------|----|----|--------------|--------------|-----|-------|------------|---------|-----|---------|
| Model | Year | MG | SG | Illustration | Restrictions | UPD | 20:04 | 24.01.2010 | PORSCHE | PET | PORSCHE |
| 996T | 2005 | 8 | 09 | 809-20 | | 248 | | | | | |



| Pos | Part Number | Description | Remark | Qty | Model |
|-----|------------------|--|--------|-----|-------|
| 1 | 986 552 113 02 | centre console centre lining carpet | 01- | 1 | GT2 |
| | A10 | black | | | |
| | D11 | dark grey/natural | 02- | | |
| | T11 | brown/natural | 02- | | |
| 2 | 999 507 533 02 | clamp 8,0 X 10,2 | 01- | 26 | GT2 |
| 3 | 986 552 513 02 | lid carpet | /L | 01- | GT2 |
| | A10 | black | | | |
| | D11 | dark grey/natural | 02- | | |
| | T11 | brown/natural | 02- | | |
| 3 | 986 552 514 02 | lid carpet | /R | 01- | GT2 |
| | A10 | black | | | |
| | D11 | dark grey/natural | 02- | | |
| | T11 | brown/natural | 02- | | |
| 4 | A 996 552 125 02 | centre console | 01 | 1 | |
| | A03 | black | | | |
| | C53 | graphite grey | | | |
| | S33 | savanna | | | |
| | G13 | metropole blue | | | |
| | J33 | nephrite green | | | |
| | M33 | boxster red | | | |
| | P13 | cinnamon brown | | | |
| 4 | 996 552 125 03 | centre console | 02- | 1 | |
| | A03 | black | | | |
| | C53 | graphite grey | | | |
| | S33 | savanna | | | |

| | | | | | | | | | | | |
|-------|------|----|----|--------------|--------------|-----|-------|------------|---------|-----|---------|
| Model | Year | MG | SG | Illustration | Restrictions | UPD | 20:04 | 24.01.2010 | PORSCHE | PET | PORSCHE |
| 996T | 2005 | 8 | 09 | 809-20 | | 248 | | | | | |

| Pos | Part Number | Description | Remark | Qty | Model | Pos | Part Number | Description | Remark | Qty | Model |
|-----|----------------|---------------------------|--------|-----|-------|-----|----------------|-------------------------------|--------|-----|-------|
| | G13 | metropole blue | | | | | M6W | lagoon green metallic | 03- | | |
| | J33 | nephrite green | | | | 4 | 986 552 995 09 | centre console | 03- | 1 | IXCE |
| | M33 | boxster red | | | | | V03 | sport silver | | | |
| | P13 | cinnamon brown | | | | 4 | 986 552 995 01 | centre console leather | 01 | 1 | IXMZ |
| 4 | 986 552 995 09 | centre console | -02 | 1 | IXJB | | VRK | black | | | |
| | 92U | arctic silver metallic | | | | | C51 | graphite grey | | | |
| 4 | 986 552 995 09 | centre console | 01- | 1 | IXME | | S31 | savanna | | | |
| | 39G | violet metallic | -01 | | | | G11 | metropole blue | | | |
| | 746 | black-metallic | -01 | | | | J31 | nephrite green | | | |
| | 3W7 | dark blue | -01 | | | | M31 | boxster red | | | |
| | 23I | wimbledon green metallic | -01 | | | | D12 | dark grey/natural | | | |
| | 9A3 | biarritz white | -01 | | | | T12 | brown/natural | | | |
| | 2A2 | rainforest green metallic | -02 | | | | P12 | cinnamon brown | | | |
| | 92U | arctic silver metallic | | | | 4 | 986 552 995 05 | centre console leather | 02- | 1 | IXMZ |
| | 041 | black | | | | | VRK | black | | | |
| | 84A | guards red | | | | | C51 | graphite grey | | | |
| | 12H | speed yellow | | | | | S31 | savanna | | | |
| | 8A3 | orient red metallic | | | | | G11 | metropole blue | | | |
| | M5W | lapis blue metallic | | | | | J31 | nephrite green | | | |
| | 6A6 | meridian metallic | | | | | M31 | boxster red | | | |
| | 39C | midnight blue metallic | | | | | D12 | dark grey/natural | | | |
| | 6B4 | seal grey metallic | | | | | T12 | brown/natural | | | |
| | 2B4 | forest green metallic | | | | | P12 | cinnamon brown | | | |
| | 3C8 | cobalt blue metallic | | | | 4 | 986 552 995 08 | centre console carbon | | 1 | IXMJ |
| | 92M | polar silver metallic | | | | 4 | 986 552 995 03 | centre console rootwood light | 01 | 1 | IXML |
| | 23F | slate grey metallic | | | | | | | | | |
| | 1A8 | zanzibar red | | | | | | | | | |
| | B9A | carrara white | 02- | | | | | | | | |
| | C9Z | basalt black metallic | 02- | | | | | | | | |

| | | | | | | | | | | | |
|-------|------|----|----|--------------|--------------|-----|-------|------------|---------|-----|---------|
| Model | Year | MG | SG | Illustration | Restrictions | UPD | 20:04 | 24.01.2010 | PORSCHE | PET | PORSCHE |
| 996T | 2005 | 8 | 09 | 809-20 | | 248 | | | | | |

| Pos | Part Number | Description | Remark | Qty | Model | Pos | Part Number | Description | Remark | Qty | Model |
|-----|----------------|-------------------------------------|--------|-----|-------|-----|----------------|--|--------|-----|-------|
| 4 | 986 552 995 06 | centre console rootwood light | 02- | 1 | IXML | | D12 | dark grey/natural | | | |
| | | | | | | | T12 | brown/natural | | | |
| 4 | 986 552 995 07 | centre console rootwood dark | | 1 | IXNB | | P12 | cinnamon brown | | | |
| - | 996 552 841 01 | sound absorber front | | 1 | | 7 | 986 552 997 02 | insert ashtray carbon | | 1 | IXMJ |
| - | 996 552 843 01 | sound absorber centre | | 1 | | 7 | 986 552 997 03 | insert ashtray rootwood light | | 1 | IXML |
| - | 996 552 845 01 | sound absorber rear | | 1 | | 7 | 986 552 997 04 | insert ashtray rootwood dark | | 1 | IXNB |
| 5 | 986 552 241 02 | cover front | | 1 | GT2 | | | | | | |
| | A03 | black | | | | 7 | 986 552 997 00 | insert ashtray lacquered | | 1 | |
| 6 | 999 919 121 09 | oval-head screw 5,0 X 16 | | X | | | 92T | arctic silver | -02 | | |
| 7 | 996 552 595 01 | insert ashtray | | 1 | | | V03 | silver | 03- | | IXCE |
| | A03 | black | | | | | G2X | prime coated | | | |
| | C53 | graphite grey | | | | 8 | 996 552 095 02 | ashtray lacquered | | 1 | |
| | S33 | savanna | | | | | A03 | black | | | |
| | G13 | metropole blue | | | | | C53 | graphite grey | | | |
| | J33 | nephrite green | -03 | | | | S33 | savanna | | | |
| | M33 | boxster red | | | | | G13 | metropole blue | | | |
| | P13 | cinnamon brown | | | | | J33 | nephrite green | -03 | | |
| 7 | 986 552 997 01 | insert ashtray leather | | 1 | IXMZ | | M33 | boxster red | | | |
| | A11 | black | | | | | P13 | cinnamon brown | | | |
| | C51 | graphite grey | | | | 8 | 986 552 996 05 | ashtray leather | | 1 | IXMZ |
| | S31 | savanna | | | | | A11 | black | | | |
| | G11 | metropole blue | | | | | C51 | graphite grey | | | |
| | J31 | nephrite green | | | | | S31 | savanna | | | |
| | M31 | boxster red | | | | | G11 | metropole blue | | | |

| | | | | | | | | | | | |
|-------|------|----|----|--------------|--------------|-----|-------|------------|---------|-----|---------|
| Model | Year | MG | SG | Illustration | Restrictions | UPD | 20:04 | 24.01.2010 | PORSCHE | PET | PORSCHE |
| 996T | 2005 | 8 | 09 | 809-20 | | 248 | | | | | |

| Pos | Part Number | Description | Remark | Qty | Model | Pos | Part Number | Description | Remark | Qty | Model |
|-----|----------------|-------------------------------|--------|-----|-------|-----|----------------|---|--------|-----|-------|
| | J31 | nephrite green | | | | | S31 | savanna | | | |
| | M31 | boxster red | | | | | J31 | nephrite green | | | |
| | D12 | dark grey/natural | | | | | M31 | boxster red | | | |
| | T12 | brown/natural | | | | | G11 | metropole blue | | | |
| | P12 | cinnamon brown | | | | | P12 | cinnamon brown | | | |
| 8 | 986 552 996 06 | ashtray rootwood light | | 1 | IXML | | D12 | dark grey | | | |
| 8 | 986 552 996 07 | ashtray rootwood dark | | 1 | IXNB | 18 | 996 552 965 00 | lid leather | | 1 | IXMZ |
| 8 | 986 552 996 08 | ashtray carbon | | 1 | IXMJ | | VRK | black | | | |
| 8 | 986 552 996 09 | ashtray | | 1 | IXJB | | C51 | graphite grey | | | |
| | 92T | arctic silver | -02 | | | | S31 | savanna | | | |
| | V03 | silver | 03- | | IXCE | | G11 | metropole blue | | | |
| (9) | 999 591 941 40 | screw with expander nut | | 2 | | | J31 | nephrite green | | | |
| 10 | 996 552 365 00 | floor shelf | | 1 | | | M31 | boxster red | | | |
| 11 | 999 919 121 09 | oval-head screw M 5 X 16 | | 1 | | | D12 | dark grey | | | |
| 12 | 996 552 665 00 | insert shelf | | 1 | | | T12 | brown/natural | | | |
| 13 | 996 552 205 00 | lid | | 1 | | | P12 | cinnamon brown | | | |
| | 01C | satin black | | | | 19 | 999 920 017 40 | plug-in nut 3,5 X 2,5 X 5 | | 8 | |
| 14 | 996 552 605 00 | hinge pin | | 1 | | 20 | 996 552 097 01 | lock | | 1 | |
| 16 | 996 552 833 00 | rubber stop | | 2 | | | 01C | satin black | | | |
| 17 | 999 919 175 09 | oval-head screw 3,5 X 12 | | 8 | | 21 | 996 552 907 00 | lock cylinder w/o stipulated lock number | | 1 | |
| 18 | 996 552 155 03 | lid leather | | 1 | | 21 | 996 552 907 01 | lock cylinder state lock number | | 1 | |
| | A11 | black | | | | 23 | 996 637 211 00 | support | | 1 | |
| | C51 | graphite grey | | | | 24 | 996 613 205 00 | microswitch | | 1 | |
| | | | | | | 25 | 999 919 121 09 | oval-head screw 5 X 16 | | 3 | |
| | | | | | | 26 | 999 920 017 40 | plug-in nut 3,5 X 2,5 X 5 | | 3 | |

| | | | | | | | | | | | |
|-------|------|----|----|--------------|--------------|-----|-------|------------|---------|-----|---------|
| Model | Year | MG | SG | Illustration | Restrictions | UPD | 20:04 | 24.01.2010 | PORSCHE | PET | PORSCHE |
| 996T | 2005 | 8 | 09 | 809-20 | | 248 | | | | | |

| Pos | Part Number | Description | Remark | Qty | Model | Pos | Part Number | Description | Remark | Qty | Model |
|------|----------------|---------------------|--------|-----|--------|------|----------------|--------------------|--------|-----|--------|
| 27 | 999 507 476 01 | clamp 8,0 X 10,2 | | 25 | | | ETS | savanna | | -02 | |
| 28 | 996 552 695 00 | coin box | | 1 | | | ETT | metropole blue | | -02 | |
| | 01C | satin black | | | | | ETV | nephrite green | | -02 | |
| 29 | 996 552 087 03 | cover leather | /L | 1 | M581 | | ETW | boxster red | | -02 | |
| | A11 | black | | | | (30) | 996 552 259 01 | cover lacquered | /RL | -02 | 1 M249 |
| | C51 | graphite grey | | | | | EOY | black | | -02 | |
| | S31 | savanna | | | | | ETR | graphite grey | | -02 | |
| | J31 | nephrite green | | | | | ETS | savanna | | -02 | |
| | M31 | boxster red | | | | | ETT | metropole blue | | -02 | |
| | G11 | metropole blue | | | | | ETV | nephrite green | | -02 | |
| | P12 | cinnamon brown | | | | | ETW | boxster red | | -02 | |
| | D12 | dark grey | | | | | FAO | cinnamon brown | | -02 | |
| | T12 | brown/natural | | | | 30 | 996 552 259 02 | cover lacquered | /LL | 03- | 1 M249 |
| (29) | 996 552 088 03 | cover leather | /R | 1 | M581 | | EOU | black | | | |
| | A11 | black | | | | | EOZ | graphite grey | | | |
| | C51 | graphite grey | | | | | EPA | savanna | | | |
| | S31 | savanna | | | | | EPB | metropole blue | | | |
| | J31 | nephrite green | | | | | EPD | nephrite green | | -03 | |
| | M31 | boxster red | | | | | EPE | boxster red | | | |
| | G11 | metropole blue | | | | | EPF | cinnamon brown | | | |
| | P12 | cinnamon brown | | | | (30) | 996 552 259 03 | cover lacquered | /RL | 03- | 1 M249 |
| | D12 | dark grey | | | | | EOU | black | | | |
| | T12 | brown/natural | | | | | EOZ | graphite grey | | | |
| (30) | 996 552 655 01 | retaining frame | | 1 | M480 | | EPA | savanna | | | |
| (30) | 996 552 259 00 | cover lacquered | /LL | -02 | 1 M249 | | EPB | metropole blue | | | |
| | EOY | black | | -02 | | | EPD | nephrite green | | -03 | |
| | ETR | graphite grey | | -02 | | | | | | | |

| | | | | | | | | | | | |
|-------|------|----|----|--------------|--------------|-----|-------|------------|---------|-----|---------|
| Model | Year | MG | SG | Illustration | Restrictions | UPD | 20:04 | 24.01.2010 | PORSCHE | PET | PORSCHE |
| 996T | 2005 | 8 | 09 | 809-20 | | 248 | | | | | |

| Pos | Part Number | Description | Remark | Qty | Model | Pos | Part Number | Description | Remark | Qty | Model | |
|------|----------------|----------------|--------|-----|-------|-----------|-------------------|------------------------|----------------|-----|-------|-----------|
| (30) | EPE | boxster red | | | | (30) | J31 | nephrite green | | | | |
| | EPF | cinnamon brown | | | | | M31 | boxster red | | | | |
| | 996 552 977 20 | cover leather | /LL | -02 | 1 | | IXY5/M249 | P12 | cinnamon brown | | | |
| | VRK | black | | | | | D12 | dark grey/natural | | | | |
| | C51 | graphite grey | | | | | T12 | brown/natural | | | | |
| | S31 | savanna | | | | | 996 552 977 27 | cover leather | /RL | 03- | 1 | IXY5/M249 |
| | J31 | nephrite green | | | | | VRK | black | | | | |
| | M31 | boxster red | | | | | C51 | graphite grey | | | | |
| | G11 | metropole blue | | | | | S31 | savanna | | | | |
| | T12 | brown/natural | | | | | G11 | metropole blue | | | | |
| (30) | 996 552 977 21 | cover leather | /RL | -02 | 1 | IXY5/M249 | J31 | nephrite green | | | | |
| | VRK | black | | | | M31 | boxster red | | | | | |
| | C51 | graphite grey | | | | P12 | cinnamon brown | | | | | |
| | S31 | savanna | | | | D12 | dark grey/natural | | | | | |
| | J31 | nephrite green | | | | T12 | brown/natural | | | | | |
| | M31 | boxster red | | | | 31 | 996 552 687 00 | slide | | 1 | M249 | |
| | G11 | metropole blue | | | | 01C | satin black | | | | | |
| | T12 | brown/natural | | | | 32 | 996 552 283 02 | cover handbrake | | 1 | | |
| | D12 | dark grey | | | | A03 | black | | | | | |
| | P12 | cinnamon brown | | | | C53 | graphite grey | | | | | |
| 30 | 996 552 977 26 | cover leather | /LL | 03- | 1 | IXY5/M249 | S33 | savanna | | | | |
| | VRK | black | | | | G13 | metropole blue | | | | | |
| | C51 | graphite grey | | | | J33 | nephrite green | | -03 | | | |
| | S31 | savanna | | | | M33 | boxster red | | | | | |
| | G11 | metropole blue | | | | P13 | cinnamon brown | | | | | |
| | | | | | | 32 | 996 552 993 02 | cover handbrake carbon | | 1 | IXMJ | |

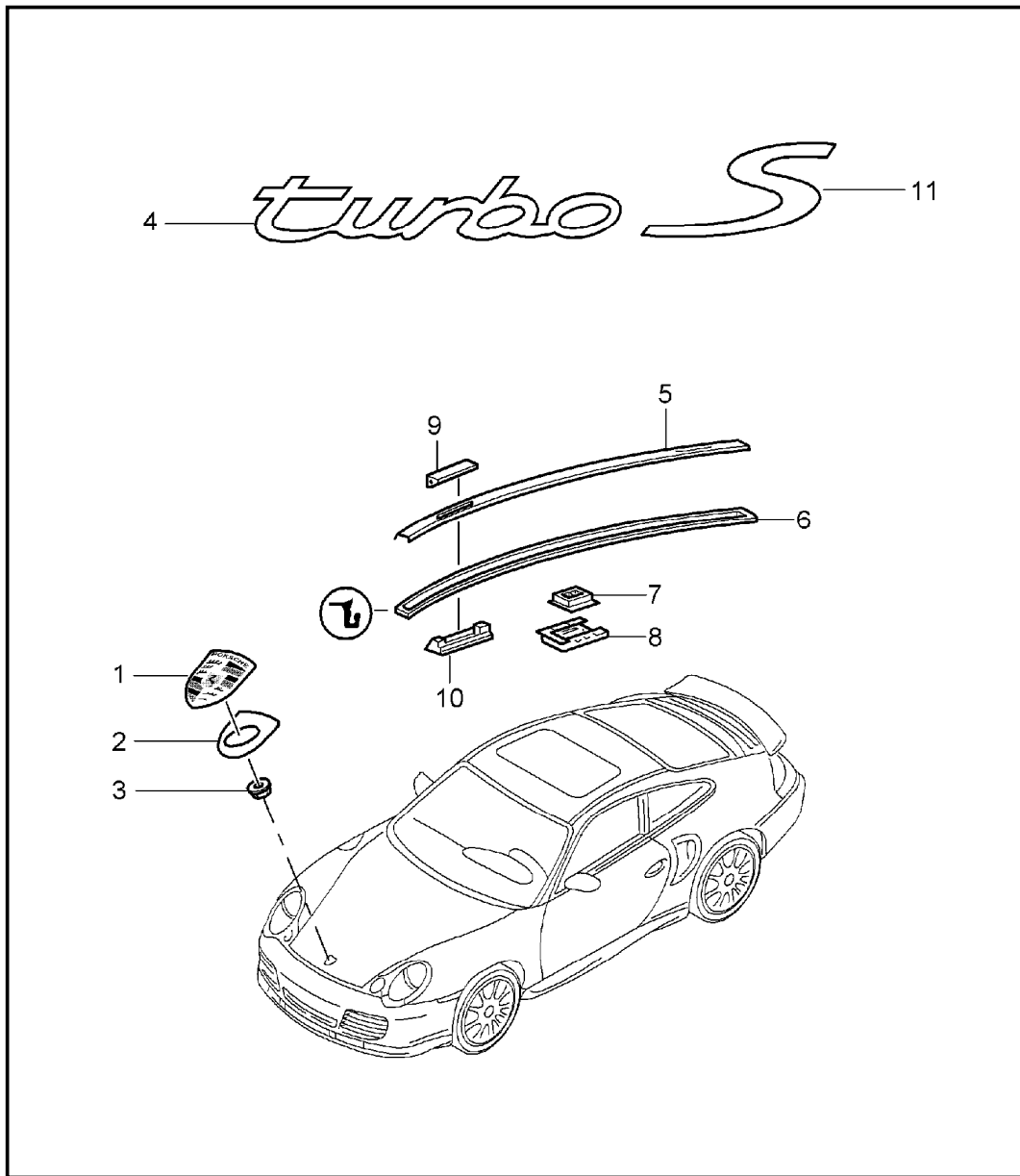
| | | | | | | | | | | | |
|-------|------|----|----|--------------|--------------|-----|-------|------------|---------|-----|---------|
| Model | Year | MG | SG | Illustration | Restrictions | UPD | 20:04 | 24.01.2010 | PORSCHE | PET | PORSCHE |
| 996T | 2005 | 8 | 09 | 809-20 | | 248 | | | | | |

| Pos | Part Number | Description | Remark | Qty | Model | Pos | Part Number | Description | Remark | Qty | Model |
|------|----------------|---|--------|-----|---------------|------|----------------|------------------|---|-----|--------------|
| 32 | 996 552 993 03 | cover handbrake rootwood light | | 1 | TURBO IXML | | T12 | brown/natural | | | |
| 32 | 996 552 993 04 | cover handbrake rootwood dark | | 1 | TURBO IXNB | (33) | 996 552 089 04 | cover leather | /R | 04- | 1 CABRIO |
| 32 | 996 552 993 01 | cover handbrake lacquered | | 1 | IXCE | | A11 | black | | | |
| | V03 | sport silver | | | | | C51 | graphite grey | | | |
| 33 | 996 552 089 03 | cover leather | /L | 1 | | | S31 | savanna | | | |
| | A11 | black | | | | | M31 | boxster red | | | |
| | C51 | graphite grey | | | | | G11 | metropole blue | | | |
| | S31 | savanna | | | | | P12 | cinnamon brown | | | |
| | J31 | nephrite green | | | | | D12 | dark grey | | | |
| | M31 | boxster red | | | | | T12 | brown/natural | | | |
| | G11 | metropole blue | | | | | (33) | 996 552 090 04 | cover leather | /R | 04- 1 CABRIO |
| | P12 | cinnamon brown | | | | | A11 | black | | | |
| | D12 | dark grey | | | | | C51 | graphite grey | | | |
| | T12 | brown/natural | | | | | S31 | savanna | | | |
| (33) | 996 552 090 03 | cover leather | /R | 1 | | | M31 | boxster red | | | |
| | A11 | black | | | | | G11 | metropole blue | | | |
| | C51 | graphite grey | | | | | P12 | cinnamon brown | | | |
| | S31 | savanna | | | | | D12 | dark grey | | | |
| | J31 | nephrite green | | | | | T12 | brown/natural | | | |
| | M31 | boxster red | | | | | 34 | 999 920 013 40 | plug-in nut 5,0 X 1,0 X 8 | | 1 |
| | G11 | metropole blue | | | | | 35 | 999 920 012 40 | plug-in nut 5,0 X 3,5 X 8 | | 2 |
| | P12 | cinnamon brown | | | | | 36 | 996 552 691 00 | retaining belt with retaining pin | | 1 |
| | D12 | dark grey | | | | | (36) | 996 552 960 01 | hinge set repair material | 01 | 1 |
| | | | | | | | (36) | 996 552 507 00 | hinge | 02- | 1 |

| | | | | | | | | | | | |
|-------|------|----|----|--------------|--------------|-----|-------|------------|---------|-----|---------|
| Model | Year | MG | SG | Illustration | Restrictions | UPD | 20:04 | 24.01.2010 | PORSCHE | PET | PORSCHE |
| 996T | 2005 | 8 | 09 | 809-20 | | 248 | | | | | |

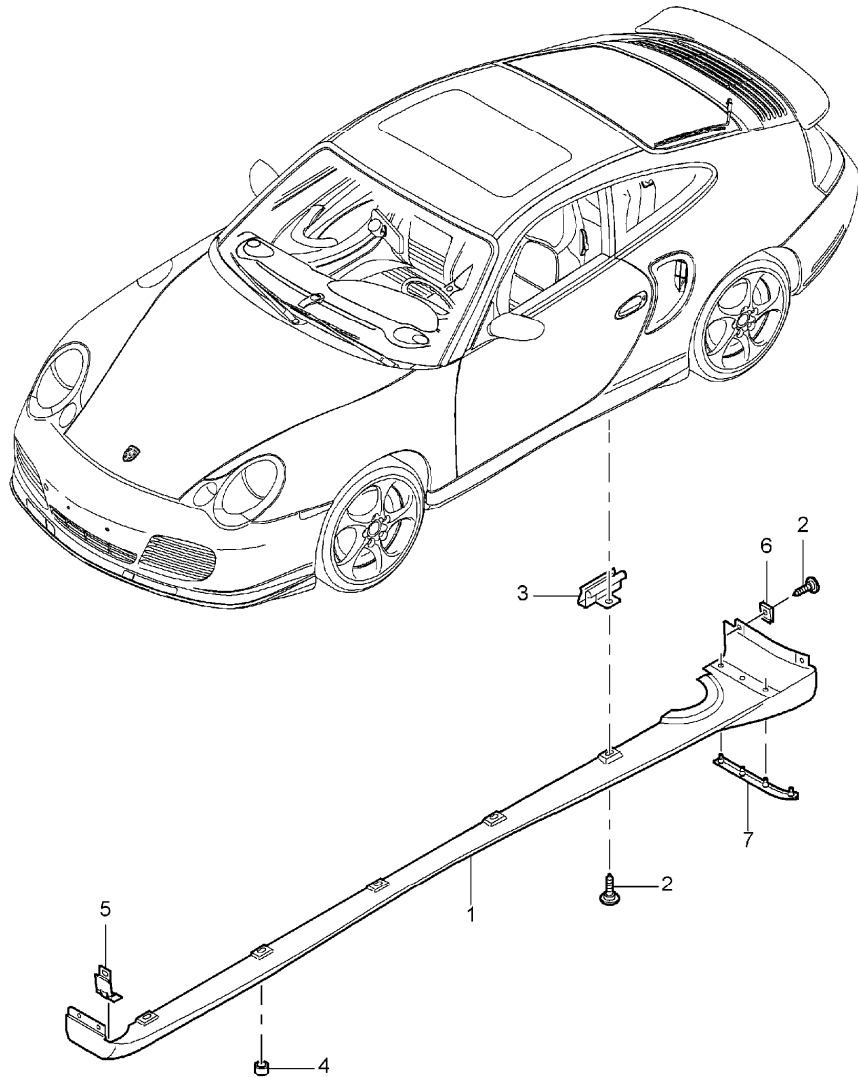
| Pos | Part Number | Description | Remark | Qty | Model | Pos | Part Number | Description | Remark | Qty | Model |
|------|----------------|---|--------|-----|---------------|-----|-------------|-------------------|--------|-----|-------|
| -- | 999 073 228 09 | tapping screw 4,8 X 13 | 02- | 2 | | | M31 | boxster red | | | |
| 37 | 996 552 795 01 | spring | | 1 | | | D12 | dark grey/natural | | | |
| 38 | 996 552 793 01 | retaining bracket package box lid | | 1 | | | T12 | brown/natural | | | |
| 39 | 999 507 645 02 | threaded piece | | 2 | | | P12 | cinnamon brown | | | |
| 40 | 999 073 081 02 | tapping screw 4,2 X 13 | | 2 | | | | | | | |
| 41 | 996 552 227 00 | extension lower part | | 1 | COUPE | | | | | | |
| 42 | 999 920 011 40 | plug-in nut 5,0 X 2 X8 | | X | COUPE | | | | | | |
| 43 | 996 552 127 00 | extension upper part leather | | 1 | COUPE | | | | | | |
| | A11 | black | | | | | | | | | |
| | C51 | graphite grey | | | | | | | | | |
| | S31 | savanna | | | | | | | | | |
| | G11 | metropole blue | | | | | | | | | |
| | J31 | nephrite green | -03 | | | | | | | | |
| | M31 | boxster red | | | | | | | | | |
| | P12 | cinnamon brown | | | | | | | | | |
| | D12 | dark grey | | | | | | | | | |
| | T12 | brown/natural | | | | | | | | | |
| (43) | 996 552 962 00 | extension upper part leather | | 1 | COUPE IXMZ | | | | | | |
| | VRK | black | | | | | | | | | |
| | C51 | graphite grey | | | | | | | | | |
| | S31 | savanna | | | | | | | | | |
| | G11 | metropole blue | | | | | | | | | |
| | J31 | nephrite green | -03 | | | | | | | | |

| | | | | | | | | | | | |
|-------|------|----|----|--------------|--------------|-----|-------|------------|---------|-----|---------|
| Model | Year | MG | SG | Illustration | Restrictions | UPD | 20:04 | 24.01.2010 | PORSCHE | PET | PORSCHE |
| 996T | 2005 | 8 | 10 | 810-00 | | 248 | | | | | |



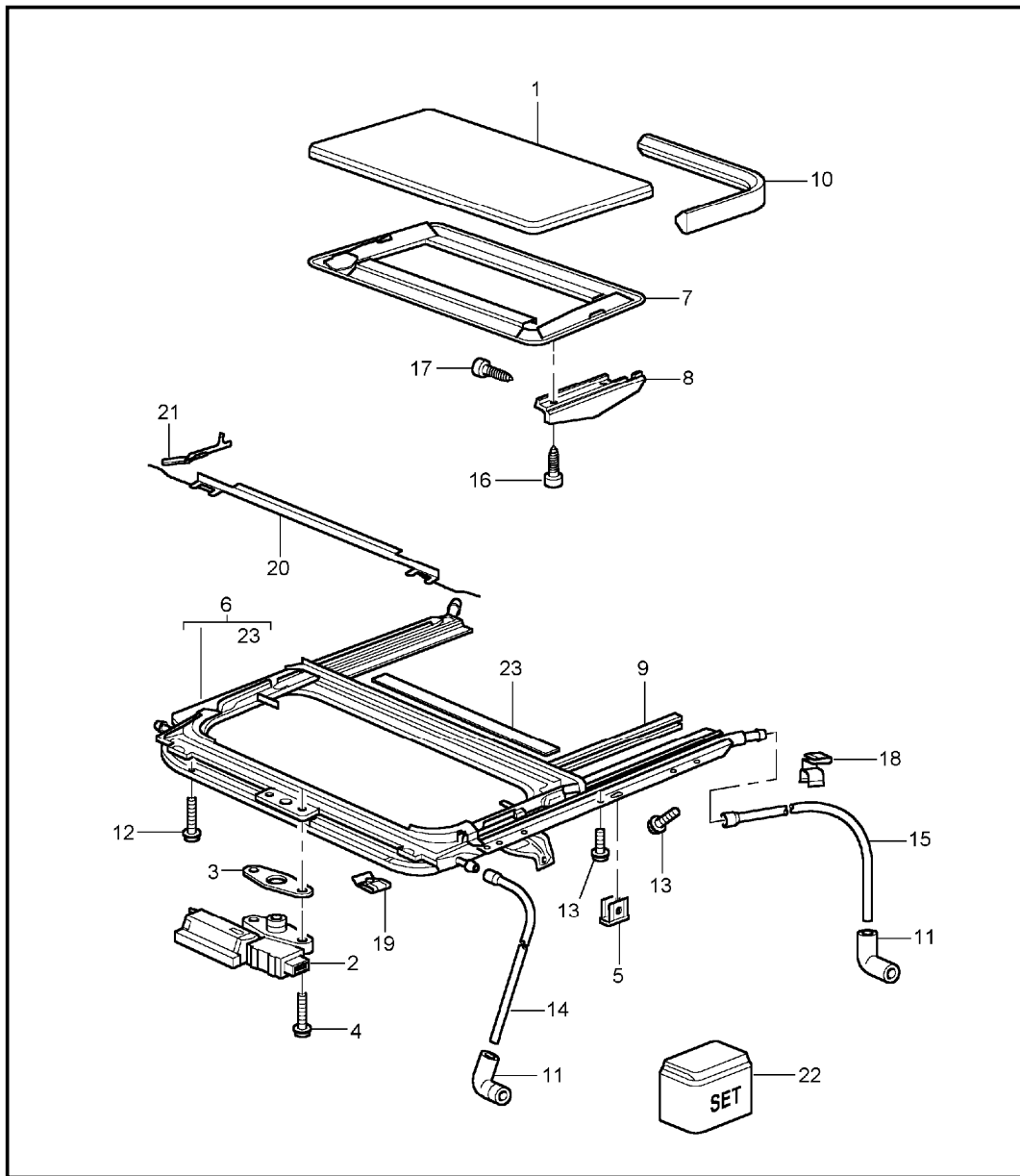
| Pos | Part Number | Description | Remark | Qty | Model |
|-----|------------------|-------------------------------------|--------|-----|-------|
| | | insignias decorative fittings | | | |
| 1 | 997 559 211 00 | lid emblem Information available | WW | 1 | |
| (1) | 996 559 211 01 | lid emblem Information available | WW | 1 | |
| 2 | A 901 559 215 20 | desk pad | | 1 | |
| (2) | 7L5 853 611 B | desk pad | | 1 | |
| 3 | 999 591 423 03 | tapping nut | | 2 | |
| 4 | 996 559 237 03 | logo | | 1 | TURBO |
| | 4PU | chrome | | | |
| - | 996 559 237 91 | logo | | 1 | GT2 |
| | 70C | rally black | | | |
| (5) | 996 559 401 00 | roof edge strip | /L | 1 | |
| | G2X | prime coated | | | |
| (5) | 996 559 402 00 | roof edge strip | /R | 1 | |
| | G2X | prime coated | | | |
| (6) | 996 559 721 00 | gasket | /L | 1 | |
| 6 | 996 559 722 00 | gasket | /R | 1 | |
| 7 | 996 559 405 01 | adapter | | 10 | |
| (8) | 996 559 403 01 | clip | | 10 | |
| 9 | 996 559 501 00 | flap | /V | 2 | |
| | G2X | prime coated | | | |
| (9) | 996 559 503 00 | flap | /H | 2 | |
| | G2X | prime coated | | | |
| 10 | 996 559 729 00 | bracket for flap | | 4 | |
| 11 | 986 559 243 01 | logo chrome | 05- | 1 | M092 |

| | | | | | | | | | | | |
|-------|------|----|----|--------------|--------------|-----|-------|------------|---------|-----|---------|
| Model | Year | MG | SG | Illustration | Restrictions | UPD | 20:04 | 24.01.2010 | PORSCHE | PET | PORSCHE |
| 996T | 2005 | 8 | 10 | 810-05 | | 248 | | | | | |



| Pos | Part Number | Description | Remark | Qty | Model |
|-----|----------------|---|--------|-----|-------|
| | | trim cover door sill single parts | | | |
| 1 | 996 504 363 00 | sill cover | /L | 1 | |
| | 01C | satin black | | | |
| (1) | 996 504 364 00 | sill cover | /R | 1 | |
| | 01C | satin black | | | |
| 1 | 996 504 363 01 | sill cover | /L | 02- | IXAF |
| | G2X | prime coated | | | |
| 1 | 996 504 364 01 | sill cover | /R | 02- | IXAF |
| | G2X | prime coated | | | |
| 2 | N 906 487 02 | tapping screw 4,8 X 16 | | 10 | |
| 3 | 999 507 640 09 | clamp 3,30 - 4,00 | | 10 | |
| 4 | 996 504 715 00 | grommet | | 20 | |
| 5 | 996 504 743 00 | support | /L | 1 | |
| (5) | 996 504 744 00 | support | /R | 1 | |
| 6 | 999 507 668 02 | speed nut 4,8 | | 4 | |
| 7 | 996 504 893 00 | rubber lip | /L | 1 | |
| (7) | 996 504 894 00 | rubber lip | /R | 1 | |

| | | | | | | | | | | | |
|-------|------|----|----|--------------|--------------|-----|-------|------------|---------|-----|---------|
| Model | Year | MG | SG | Illustration | Restrictions | UPD | 20:05 | 24.01.2010 | PORSCHE | PET | PORSCHE |
| 996T | 2005 | 8 | 11 | 811-00 | | 248 | | | | | |

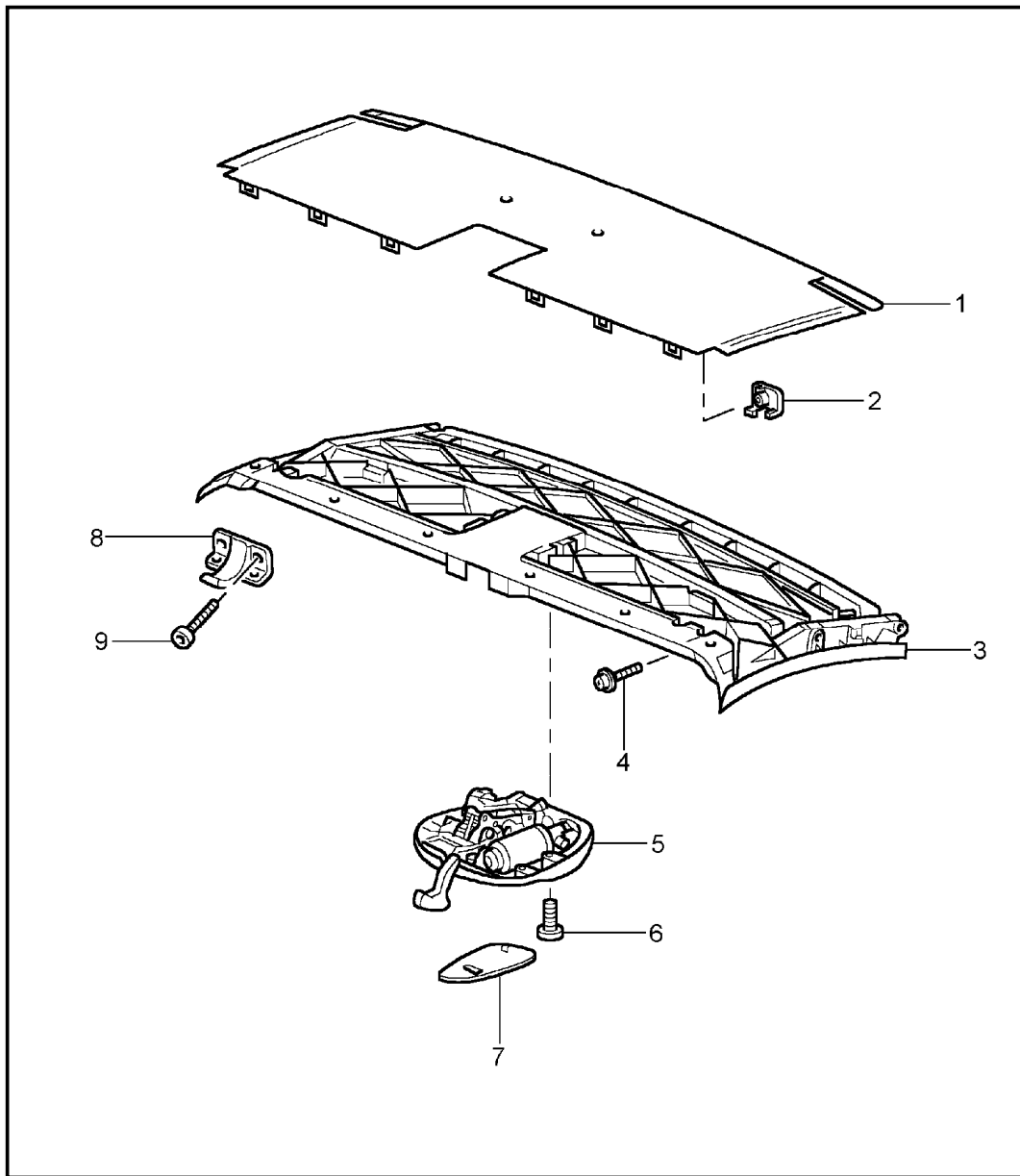


| Pos | Part Number | Description | Remark | Qty | Model |
|-----|------------------|---|--------|-----|-------|
| | | sunroof | | | M650 |
| 1 | 996 564 941 01 | lid | | 1 | |
| | | GRV prime coated | | | |
| 2 | A 996 624 211 02 | driving mechanism | | 1 | |
| 2 | 997 624 211 00 | driving mechanism | | 1 | |
| 3 | 996 564 213 00 | spacer | | 1 | |
| 4 | 999 073 135 07 | oval-head screw | | 2 | |
| 5 | 999 703 258 41 | clip | | 2 | |
| 6 | 996 564 015 02 | frame complete for vehicles up to 01.01 use also: | | 1 | |
| - | 996 564 915 00 | assembly kit for frame | | 1 | |
| 7 | 996 564 021 02 | roofliner | 00 | 1 | |
| | A14 | black | | | |
| | C54 | graphite grey | | | |
| | G14 | metropole blue | | | |
| | S34 | savanna | | | |
| 7 | 996 564 021 03 | roofliner | 01-02 | 1 | |
| | A14 | black | | | |
| | C54 | graphite grey | | | |
| | S34 | savanna | | | |
| | G14 | metropole blue | | | |
| | J34 | nephrite green | | | |
| 7 | 996 564 021 04 | roofliner | 03-05 | 1 | |
| | A14 | black | | | |
| | C54 | graphite grey | | | |
| | G14 | metropole blue | | | |
| | S34 | savanna | | | |

| | | | | | | | | | | | |
|-------|------|----|----|--------------|--------------|-----|-------|------------|---------|-----|---------|
| Model | Year | MG | SG | Illustration | Restrictions | UPD | 20:05 | 24.01.2010 | PORSCHE | PET | PORSCHE |
| 996T | 2005 | 8 | 11 | 811-00 | | 248 | | | | | |

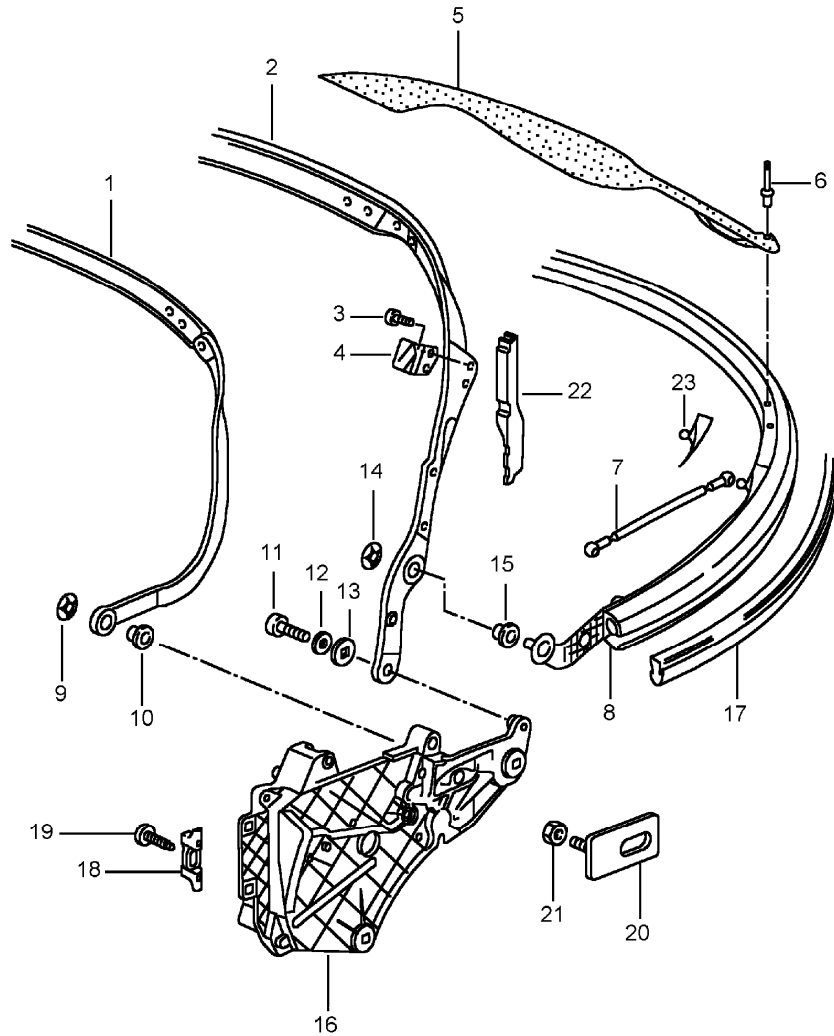
| Pos | Part Number | Description | Remark | Qty | Model | Pos | Part Number | Description | Remark | Qty | Model |
|-----|----------------|------------------------------------|--------|-----|-------|------|----------------|----------------------------------|--------|-----|-------|
| 7 | 996 564 983 00 | roofliner leather | | 1 | IXMA | 14 | 996 564 207 00 | water drain hose front | | 2 | |
| | A11 | black | | | | 15 | 996 564 237 01 | water drain hose rear | | 2 | |
| | C51 | graphite grey | | | | 16 | 900 143 133 07 | oval-head sheetmetal screw | | 4 | |
| | S31 | savanna | | | | 17 | 996 564 245 00 | combination screw | | 4 | |
| | G11 | metropole blue | | | | 18 | 999 507 631 02 | cable holder | | 6 | |
| | J31 | nephrite green | | | | 19 | 999 591 348 02 | speed nut | | 2 | |
| | M31 | boxster red | | | | 20 | 996 564 161 02 | air deflector | | 1 | |
| | D12 | dark grey/natural | | | | 21 | 996 564 521 01 | hinge | | 1 | |
| | P12 | cinnamon brown | | | | (21) | 996 564 522 01 | hinge | | 1 | |
| -- | 996 564 950 00 | sound absorber for roofliner | | 1 | | 22 | 996 564 915 00 | assembly kit for frame | | 1 | |
| 8 | 996 564 181 00 | cover outer | /L | 1 | | 23 | 996 564 907 01 | edge protection | | 1 | |
| | 01C | black | | | | | | | | | |
| | M6X | dark olive-metallic | | | | | | | | | |
| (8) | 996 564 182 00 | cover outer | /R | 1 | | | | | | | |
| | 01C | black | | | | | | | | | |
| | M6X | dark olive-metallic | | | | | | | | | |
| 9 | 996 564 241 00 | cover inner | /R | 1 | | | | | | | |
| (9) | 996 564 242 00 | cover inner | /L | 1 | | | | | | | |
| 10 | 997 564 211 00 | gasket | | 1 | | | | | | | |
| 11 | 999 702 248 41 | grommet | | 4 | | | | | | | |
| 12 | 999 073 131 02 | oval-head screw M6X25 | | 4 | | | | | | | |
| 12 | 999 073 366 02 | oval-head screw M6X30 | | 4 | | | | | | | |
| 13 | 999 073 130 02 | oval-head screw M6X16 | | 6 | | | | | | | |

| | | | | | | | | | | | |
|-------|------|----|----|--------------|--------------|-----|-------|------------|---------|-----|---------|
| Model | Year | MG | SG | Illustration | Restrictions | UPD | 20:05 | 24.01.2010 | PORSCHE | PET | PORSCHE |
| 996T | 2005 | 8 | 11 | 811-05 | | 248 | | | | | |



| Pos | Part Number | Description | Remark | Qty | Model |
|-----|----------------|---|--------|-----|-------|
| | | convertible top frame front roof frame catch | | | TURBO |
| 1 | 996 561 963 00 | base | | 1 | |
| 2 | 996 561 731 00 | clip | | 6 | |
| 3 | 996 561 953 00 | roof frame | | 1 | |
| | A09 | black | | | |
| 4 | 996 561 247 00 | expansion rivet | | 6 | |
| 5 | 996 561 017 01 | catch | -04 | 1 | |
| | A09 | black | | | |
| (5) | 997 561 117 00 | catch | 05- | 1 | |
| --- | 996 561 947 00 | adapter | -04 | 1 | |
| -- | 997 561 515 00 | cap | 05- | 1 | |
| | 01C | black | | | |
| 6 | 999 073 195 09 | screw | | 4 | |
| 6 | 996 561 937 00 | 1 set cap | | 1 | |
| 8 | 996 561 605 02 | centring journal | /L | 1 | |
| (8) | 996 561 606 02 | centring journal | /R | 1 | |
| 9 | 999 919 144 09 | screw | | 4 | |

| | | | | | | | | | | | |
|-------|------|----|----|--------------|--------------|-----|-------|------------|---------|-----|---------|
| Model | Year | MG | SG | Illustration | Restrictions | UPD | 20:05 | 24.01.2010 | PORSCHE | PET | PORSCHE |
| 996T | 2005 | 8 | 11 | 811-06 | | 248 | | | | | |

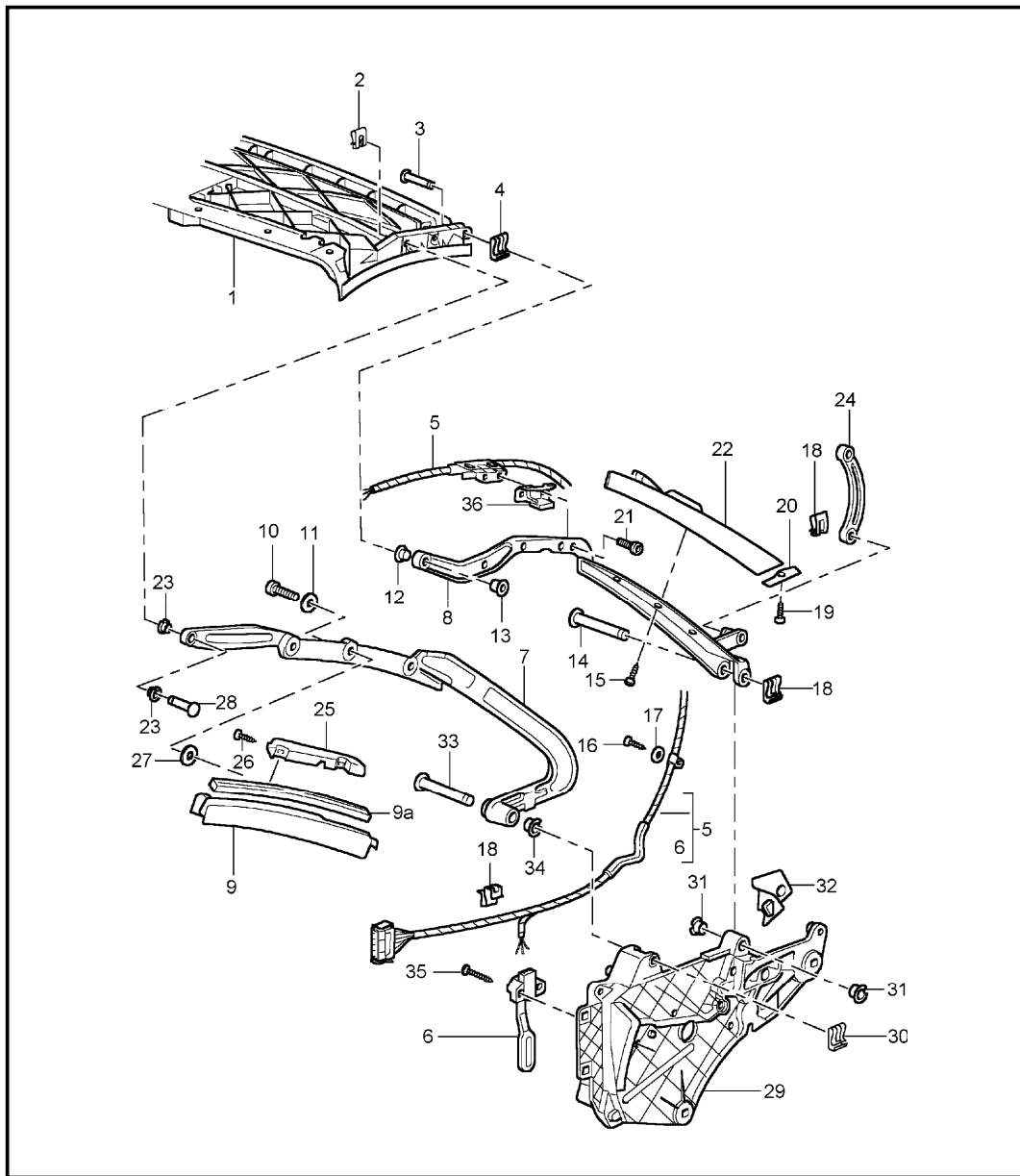


| Pos | Part Number | Description | Remark | Qty | Model |
|------|----------------|---|--------|-----|-------|
| | | convertible top frame single parts | | | TURBO |
| 1 | 996 561 042 00 | roof strut | | 1 | |
| 2 | 996 561 037 00 | roof strut | | 1 | |
| 3 | 900 146 003 02 | oval-head screw | | 4 | |
| 4 | 996 561 959 00 | thrust wedge | | 2 | |
| 5 | 996 561 089 01 | restraining strap | /L | 1 | |
| (5) | 996 561 090 01 | restraining strap | /R | 1 | |
| 6 | 999 190 446 30 | rivet | | X | |
| 7 | 996 561 191 00 | tension rope | | 2 | |
| 8 | 996 561 041 01 | roof strut | | 1 | |
| 9 | 996 561 645 00 | lock | | 4 | |
| 10 | 999 924 122 40 | bush | | 4 | |
| 11 | 999 073 195 09 | oval-head screw | | 2 | |
| 12 | 900 151 006 09 | washer | | 2 | |
| 13 | 999 924 131 30 | washer | | 2 | |
| 14 | 996 561 645 00 | lock | | 4 | |
| 15 | 999 924 122 40 | bush | | X | |
| 16 | 996 561 443 00 | convertible top support | /L | 1 | |
| (16) | 996 561 444 00 | convertible top support | /R | 1 | |
| 17 | 996 561 693 00 | additional gasket for roof strut POS.8 | | 1 | |
| 18 | 996 561 735 02 | adjusting shim | | 2 | |
| 19 | 999 073 138 09 | screw | | 2 | |
| 20 | 996 561 715 00 | support | | 2 | |
| 21 | 999 084 630 09 | hexagon nut | | 2 | |
| 22 | 996 561 259 00 | gasket | /L | 1 | |
| 22 | 996 561 260 00 | gasket | /R | 1 | |

| | | | | | | | | | | | |
|-------|------|----|----|--------------|--------------|-----|-------|------------|---------|-----|---------|
| Model | Year | MG | SG | Illustration | Restrictions | UPD | 20:05 | 24.01.2010 | PORSCHE | PET | PORSCHE |
| 996T | 2005 | 8 | 11 | 811-06 | | 248 | | | | | |

| Pos | Part Number | Description | Remark | Qty | Model | Pos | Part Number | Description | Remark | Qty | Model |
|------|----------------|--------------------------------|--------|-----|-------|-----|-------------|-------------|--------|-----|-------|
| 23 | 996 561 055 01 | bracket for tension rope | /L | 1 | | | | | | | |
| (23) | 996 561 056 01 | bracket for tension rope | /R | 1 | | | | | | | |

| | | | | | | | | | | | |
|-------|------|----|----|--------------|--------------|-----|-------|------------|---------|-----|---------|
| Model | Year | MG | SG | Illustration | Restrictions | UPD | 20:05 | 24.01.2010 | PORSCHE | PET | PORSCHE |
| 996T | 2005 | 8 | 11 | 811-07 | | 248 | | | | | |

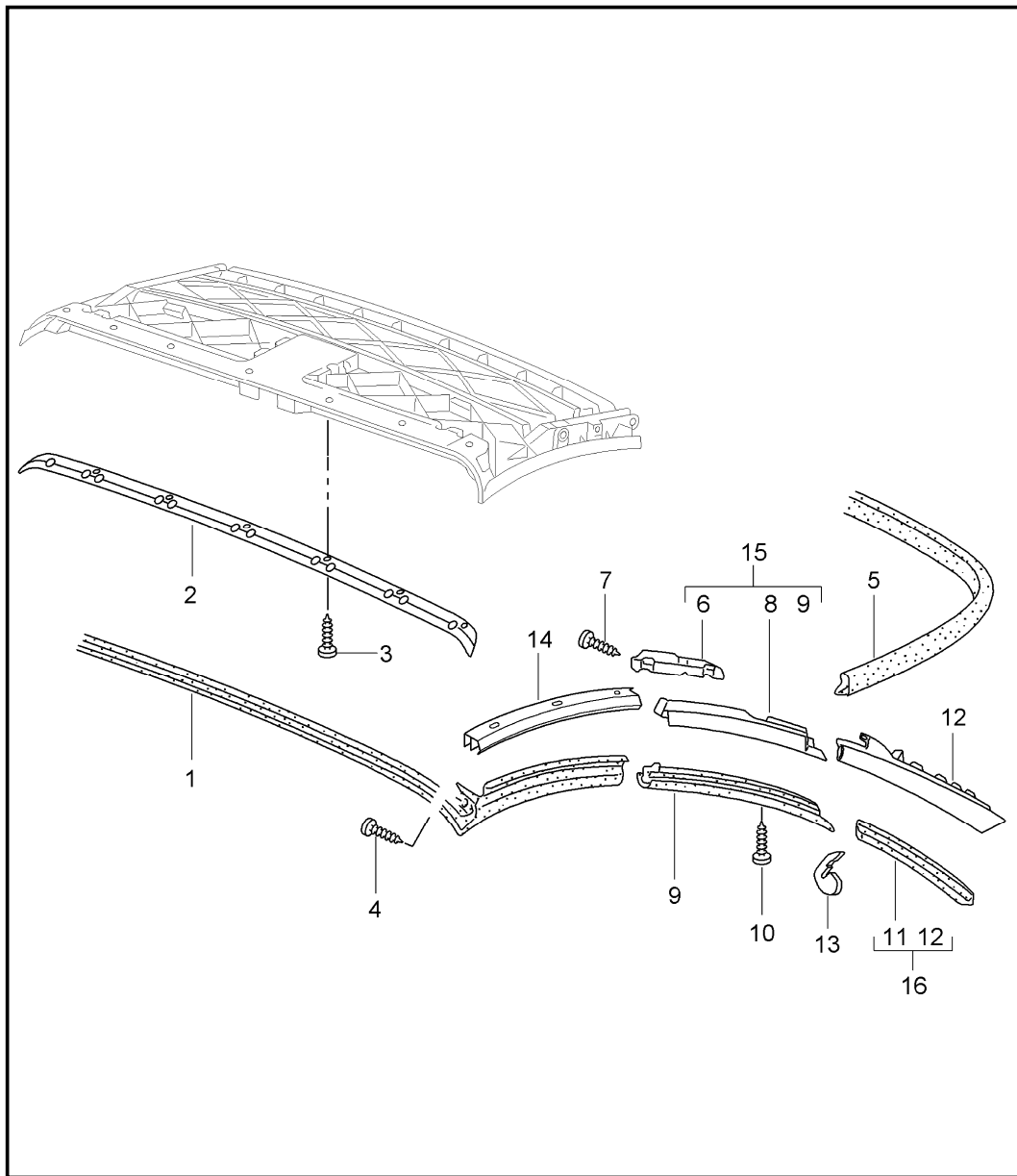


| Pos | Part Number | Description | Remark | Qty | Model |
|-----|----------------|---------------------------------------|--------|-----|-------|
| | | convertible top frame single parts | | | TURBO |
| 1 | 996 561 953 00 | roof frame | | 1 | |
| | A09 | black | | | |
| 2 | 999 166 075 02 | lock | | X | |
| 3 | 999 088 041 30 | bolt 8X23,2 | | 2 | |
| 4 | 999 166 075 02 | lock | | X | |
| 5 | 996 612 005 15 | wiring harness | -04 | 1 | |
| 5 | 997 612 698 00 | wiring harness | 05- | 1 | |
| 6 | 996 613 313 02 | potentiometer | | 1 | |
| 7 | 996 561 335 00 | roof frame | /L | 1 | |
| (7) | 996 561 336 00 | roof frame | | 1 | |
| 8 | 996 561 339 00 | roof frame | /L | 1 | |
| (8) | 996 561 340 00 | roof frame | /R | 1 | |
| 9 | --- | see illustrations 8/11/09 | /L | 1 | |
| (9) | --- | see illustrations 8/11/09 | /R | 1 | |
| 9A | 996 561 219 00 | gasket for sealing frame | | 2 | |
| 10 | 999 073 195 09 | screw M 6X20 | | X | |
| 11 | 900 151 006 09 | washer | | X | |
| 12 | 999 924 152 00 | bush | | 2 | |
| 13 | 999 924 152 00 | bush | | 2 | |
| 14 | 999 088 031 30 | bolt | | 1 | |
| 15 | 999 919 152 09 | oval-head screw | | X | |
| 16 | 900 144 101 02 | tapping screw | | X | |
| 17 | 900 151 027 02 | washer | | 8 | |
| 18 | 999 166 076 02 | lock | | X | |

| | | | | | | | | | | | |
|-------|------|----|----|--------------|--------------|-----|-------|------------|---------|-----|---------|
| Model | Year | MG | SG | Illustration | Restrictions | UPD | 20:05 | 24.01.2010 | PORSCHE | PET | PORSCHE |
| 996T | 2005 | 8 | 11 | 811-07 | | 248 | | | | | |

| Pos | Part Number | Description | Remark | Qty | Model | Pos | Part Number | Description | Remark | Qty | Model |
|------|----------------|------------------------------|--------|-----|-------|-----|-------------|-------------|--------|-----|-------|
| 19 | 999 919 141 09 | oval-head screw | | 4 | | | | | | | |
| 20 | 996 561 239 00 | gasket | /L | 1 | | | | | | | |
| (20) | 996 561 240 00 | gasket | /R | 1 | | | | | | | |
| 21 | N 014 128 13 | oval-head screw | | 4 | | | | | | | |
| 22 | --- --- --- -- | see illustrations 8/11/09 | /L | 1 | | | | | | | |
| (22) | --- --- --- -- | see illustrations 8/11/09 | /R | 1 | | | | | | | |
| 23 | 999 924 152 00 | bush | | 4 | | | | | | | |
| 24 | 996 561 051 01 | lever | /L | 1 | | | | | | | |
| (24) | 996 561 052 01 | lever | /R | 1 | | | | | | | |
| 25 | --- --- --- -- | see illustrations 8/11/09 | /L | 1 | | | | | | | |
| (25) | --- --- --- -- | see illustrations 8/11/09 | /R | 1 | | | | | | | |
| 26 | 999 919 141 09 | oval-head screw | | 4 | | | | | | | |
| 27 | 999 025 267 09 | washer | | 8 | | | | | | | |
| 28 | 999 088 040 30 | bolt | | 2 | | | | | | | |
| 29 | 996 561 443 00 | convertible top support | /L | 1 | | | | | | | |
| (29) | 996 561 444 00 | convertible top support | /R | 1 | | | | | | | |
| 30 | 999 166 076 02 | lock | | 6 | | | | | | | |
| 31 | 999 924 125 40 | bush | | 4 | | | | | | | |
| 32 | 996 561 249 01 | gasket | /L | 1 | | | | | | | |
| (32) | 996 561 250 01 | gasket | /R | 1 | | | | | | | |
| 33 | 999 088 031 30 | bolt | | 4 | | | | | | | |
| 34 | 999 924 125 40 | bush | | 4 | | | | | | | |
| 35 | 999 919 152 09 | oval-head screw | | 2 | | | | | | | |

| | | | | | | | | | | | |
|-------|------|----|----|--------------|--------------|-----|-------|------------|---------|-----|---------|
| Model | Year | MG | SG | Illustration | Restrictions | UPD | 20:05 | 24.01.2010 | PORSCHE | PET | PORSCHE |
| 996T | 2005 | 8 | 11 | 811-09 | | 248 | | | | | |

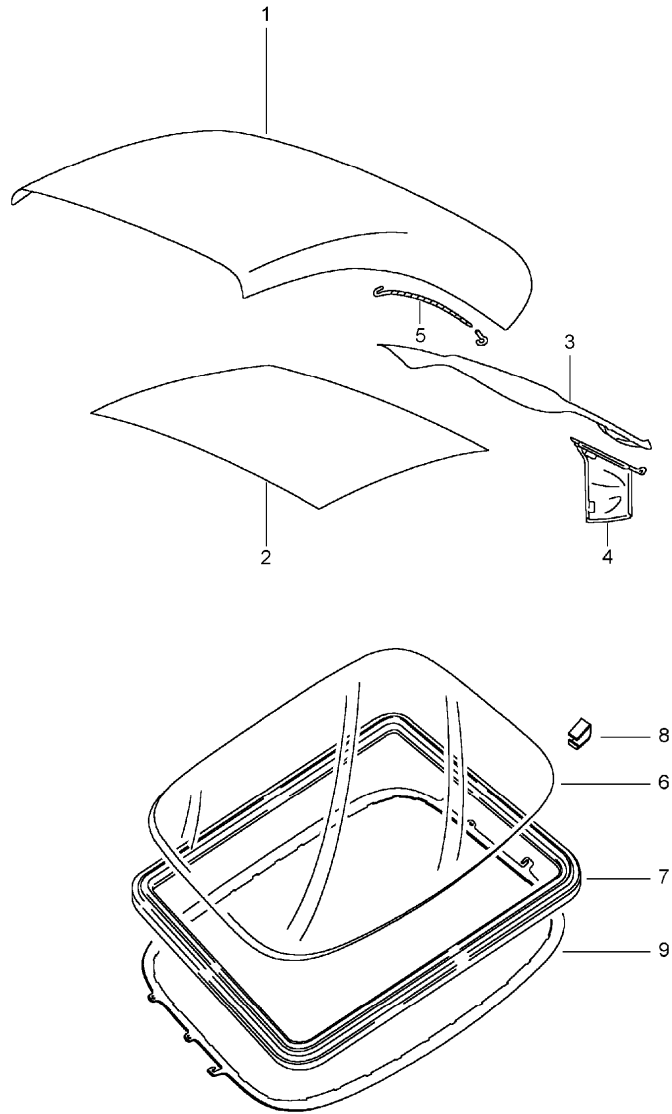


| Pos | Part Number | Description | Remark | Qty | Model |
|------|------------------|------------------------------|--------|-----|-------|
| | | convertible top seal | | | TURBO |
| 1 | 996 561 027 00 | roof frame seal | | 1 | |
| 2 | 996 561 501 01 | retaining strip | -04 | 1 | |
| 2 | 997 561 501 00 | retaining strip | 05- | 1 | |
| 3 | 999 919 139 09 | oval-head screw | | 7 | |
| 4 | 999 919 139 09 | oval-head screw | | 2 | |
| 5 | 996 561 449 00 | gasket | | 1 | |
| 7 | 999 919 152 09 | oval-head screw | | 4 | |
| 8 | U 996 561 355 00 | frame order Pos. 15 + 16 | /L | 1 | |
| (8) | U 996 561 356 00 | frame order Pos. 15 + 16 | /R | 1 | |
| 9 | U 996 561 413 00 | gasket order Pos. 15 + 16 | /L | 1 | |
| (9) | U 996 561 414 00 | gasket order Pos. 15 + 16 | /R | 1 | |
| 10 | 999 919 152 09 | oval-head screw | | 8 | |
| 11 | U 996 561 411 00 | gasket order Pos. 15 + 16 | /L | 1 | |
| (11) | U 996 561 412 00 | gasket order Pos. 15 + 16 | /R | 1 | |
| 12 | U 996 561 319 00 | frame order Pos. 15 + 16 | /L | 1 | |
| (12) | U 996 561 320 00 | frame order Pos. 15 + 16 | /R | 1 | |
| 13 | 996 561 935 00 | filler piece set | | 2 | |
| 14 | 996 561 527 00 | mounting | /L | 1 | |
| 14 | 996 561 528 00 | mounting | /R | 1 | |

| | | | | | | | | | | | |
|-------|------|----|----|--------------|--------------|-----|-------|------------|---------|-----|---------|
| Model | Year | MG | SG | Illustration | Restrictions | UPD | 20:05 | 24.01.2010 | PORSCHE | PET | PORSCHE |
| 996T | 2005 | 8 | 11 | 811-09 | | 248 | | | | | |

| Pos | Part Number | Description | Remark | Qty | Model | Pos | Part Number | Description | Remark | Qty | Model |
|------|----------------|--|--------|-----|-------|-----|-------------|-------------|--------|-----|-------|
| 15 | 997 561 913 01 | gaskets | /L | 1 | | | | | | | |
| (15) | 997 561 914 01 | gaskets | /R | 1 | | | | | | | |
| | | assembly kit Pos. 8,9 roof frame front | | | | | | | | | |
| 16 | 997 561 923 00 | gaskets | /L | 1 | | | | | | | |
| (16) | 997 561 924 00 | gaskets | /R | 1 | | | | | | | |
| | | assembly kit Pos. 11,12 roof frame rear | | | | | | | | | |

| | | | | | | | | | | | |
|-------|------|----|----|--------------|--------------|-----|-------|------------|---------|-----|---------|
| Model | Year | MG | SG | Illustration | Restrictions | UPD | 20:06 | 24.01.2010 | PORSCHE | PET | PORSCHE |
| 996T | 2005 | 8 | 11 | 811-10 | | 248 | | | | | |

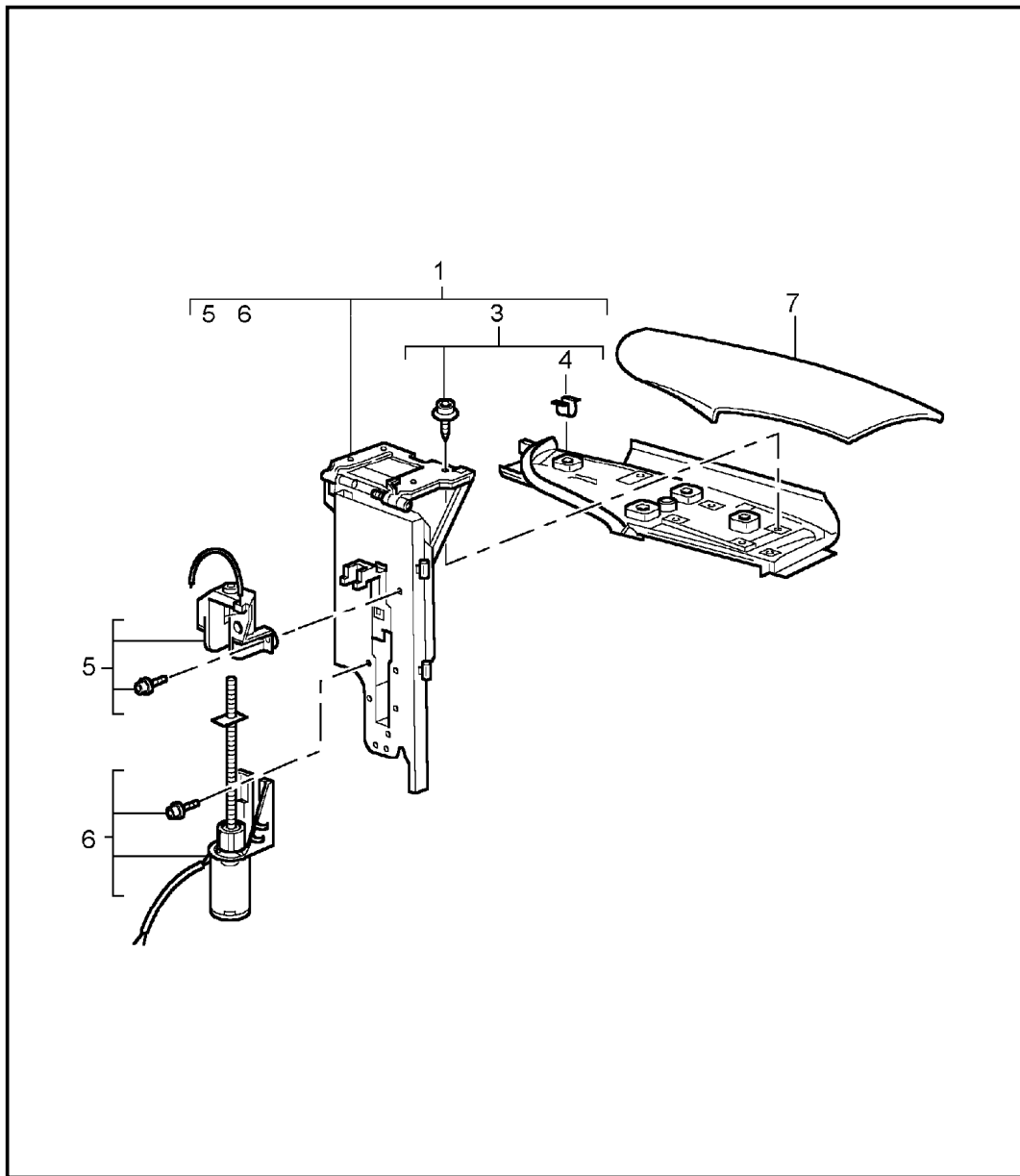


| Pos | Part Number | Description | Remark | Qty | Model |
|-----|------------------|--|--------|-----|-------|
| | | convertible top covering roofliner | | | TURBO |
| 1 | 996 561 915 02 | convertible top covering without rear window | -04 | 1 | |
| | A10 | black | | | |
| | C50 | graphite grey | | | |
| | G02 | metropole blue | | | |
| 1 | A 997 561 901 00 | convertible top covering without rear window | 05- | 1 | |
| | A10 | black | | | |
| | C50 | graphite grey | | | |
| | G02 | metropole blue | | | |
| 1 | 997 561 901 01 | convertible top covering without rear window | 05- | 1 | |
| | A10 | black | | | |
| | C50 | graphite grey | | | |
| | G02 | metropole blue | | | |
| 2 | 996 561 085 01 | roofliner | | 1 | |
| | A21 | black | | | |
| 3 | 996 561 089 01 | restraining strap | /L | 1 | |
| (3) | 996 561 090 01 | restraining strap | /R | 1 | |
| 4 | 996 561 095 01 | bag | /L | 1 | |
| | A20 | black | | | |
| (4) | 996 561 096 01 | bag | /R | 1 | |
| | A20 | black | | | |
| 5 | 996 561 931 01 | tension rope | | 2 | |
| 6 | 996 561 101 00 | rear window | | 1 | |
| 7 | 996 561 331 00 | gasket | | 1 | |
| 8 | 996 561 205 00 | clamp | | 32 | |

| | | | | | | | | | | | |
|-------|------|----|----|--------------|--------------|-----|-------|------------|---------|-----|---------|
| Model | Year | MG | SG | Illustration | Restrictions | UPD | 20:06 | 24.01.2010 | PORSCHE | PET | PORSCHE |
| 996T | 2005 | 8 | 11 | 811-10 | | 248 | | | | | |

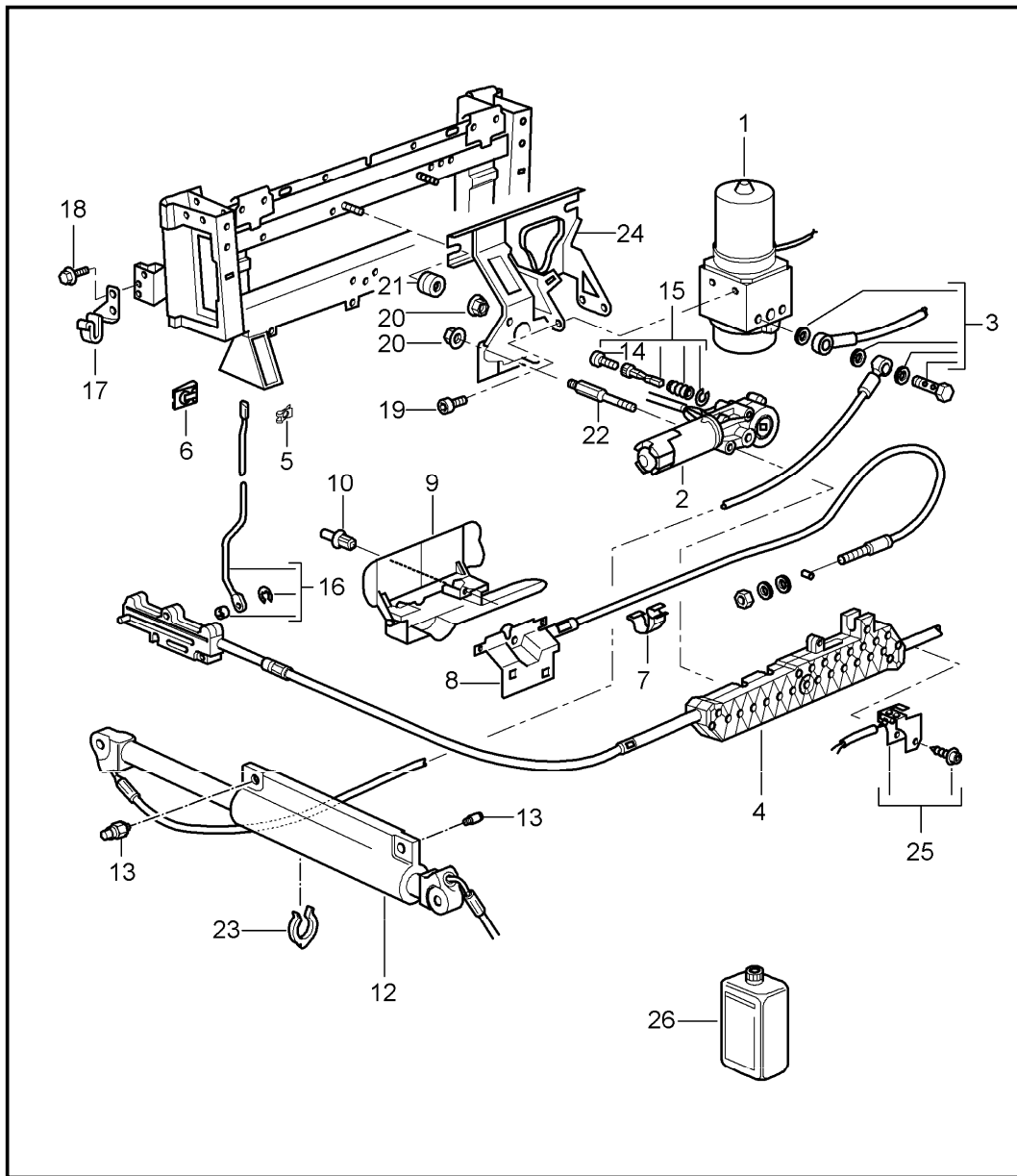
| Pos | Part Number | Description | Remark | Qty | Model | Pos | Part Number | Description | Remark | Qty | Model |
|-----|----------------|-------------|--------|-----|-------|-----|-------------|-------------|--------|-----|-------|
| 9 | 996 561 203 00 | frame | | 1 | | | | | | | |

| | | | | | | | | | | | |
|-------|------|----|----|--------------|--------------|-----|-------|------------|---------|-----|---------|
| Model | Year | MG | SG | Illustration | Restrictions | UPD | 20:06 | 24.01.2010 | PORSCHE | PET | PORSCHE |
| 996T | 2005 | 8 | 11 | 811-11 | | 248 | | | | | |



| Pos | Part Number | Description | Remark | Qty | Model |
|-----|-----------------|--------------------------------|--------|-----|-------|
| | | flap lateral folding top | | | TURBO |
| 1 | 996 561 175 01 | flap | /L | 1 | |
| (1) | 996 561 176 01 | flap | /R | 1 | |
| 3 | 996 561 625 00 | flap | /L | 1 | |
| (3) | 996 561 626 00 | flap | /R | 1 | |
| 4 | 999 507 533 02 | clamp | | X | |
| 5 | 996 561 685 00 | microswitch | /L | 1 | |
| (5) | 996 561 686 00 | microswitch | /R | 1 | |
| 6 | 996 561 675 00 | driving mechanism | /L | 1 | |
| (6) | 996 561 676 00 | driving mechanism | /R | 1 | |
| 7 | --- -- -- -- -- | see illustrations 8/07/07 | /R | 1 | |

| | | | | | | | | | | | |
|-------|------|----|----|--------------|--------------|-----|-------|------------|---------|-----|---------|
| Model | Year | MG | SG | Illustration | Restrictions | UPD | 20:06 | 24.01.2010 | PORSCHE | PET | PORSCHE |
| 996T | 2005 | 8 | 11 | 811-12 | | 248 | | | | | |

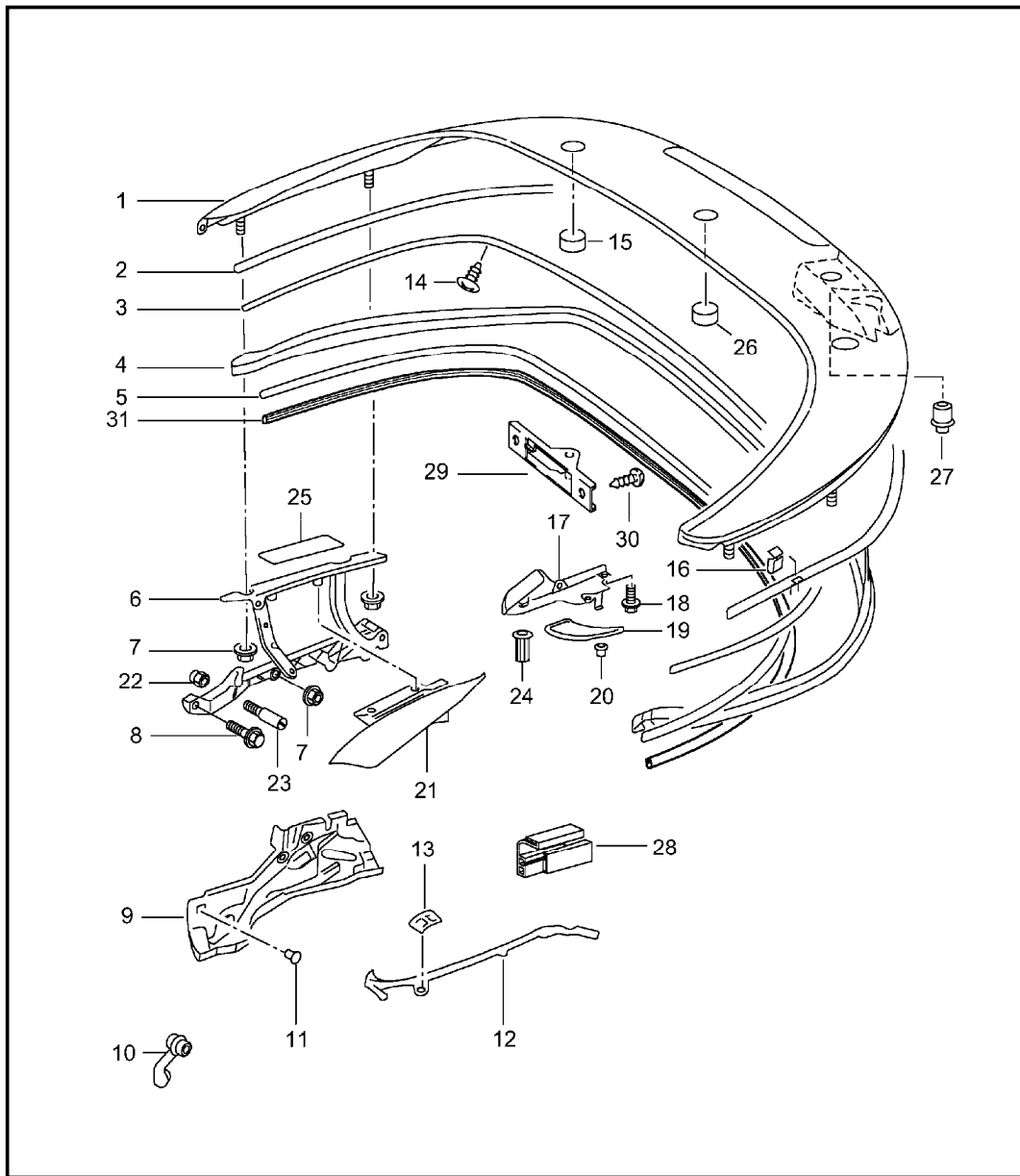


| Pos | Part Number | Description | Remark | Qty | Model |
|------|----------------|---|--------|-----|-------|
| | | convertible top driving mechanism hydraulic | | | TURBO |
| 1 | 996 561 307 02 | pump see workshop manual group 6 61-7031 | | 1 | |
| 2 | 996 561 933 01 | engine | | 1 | |
| 3 | 996 561 573 00 | banjo bolt | | 2 | |
| 4 | 996 561 021 04 | driving mechanism | | 1 | |
| 5 | 999 166 054 02 | lock | | 2 | |
| 6 | 999 703 425 40 | spacer sleeve | | 3 | |
| 7 | 999 507 683 40 | cable holder | | X | |
| 8 | 996 561 065 01 | locking device | | 1 | |
| 9 | 996 561 265 03 | trim cover | | 1 | |
| 10 | 999 591 941 40 | expansion rivet | | X | |
| 12 | 996 561 945 02 | cylinder | | 2 | |
| 13 | 996 561 245 00 | bolt | | 1 | |
| 14 | 996 561 671 00 | screw | | 1 | |
| 15 | 996 561 673 01 | repair kit | | 1 | |
| 16 | 996 561 229 00 | push rod | /L | 1 | |
| 16 | 996 561 230 00 | push rod | /R | 1 | |
| 17 | 996 561 105 00 | bracket | /L | 1 | |
| (17) | 996 561 106 00 | bracket | /R | 1 | |
| 18 | 900 378 173 09 | hexagon-head tapping screw | | X | |
| 19 | N 014 750 3 | pan-head screw | | 4 | |
| 21 | 999 703 424 40 | rubber buffer | | 3 | |
| 22 | 996 561 863 01 | stud | | 2 | |
| 23 | 996 561 281 00 | retainer | | 2 | |
| 24 | 996 561 207 01 | bracket | | 1 | |
| 25 | 996 561 165 01 | microswitch | | 1 | |

| | | | | | | | | | | | |
|-------|------|----|----|--------------|--------------|-----|-------|------------|---------|-----|---------|
| Model | Year | MG | SG | Illustration | Restrictions | UPD | 20:06 | 24.01.2010 | PORSCHE | PET | PORSCHE |
| 996T | 2005 | 8 | 11 | 811-12 | | 248 | | | | | |

| Pos | Part Number | Description | Remark | Qty | Model | Pos | Part Number | Description | Remark | Qty | Model |
|-----|----------------|---------------|--------|-----|-------|-----|-------------|-------------|--------|-----|-------|
| 26 | 000 043 204 89 | oil 250 ML | | X | | | | | | | |

| | | | | | | | | | | | |
|-------|------|----|----|--------------|--------------|-----|-------|------------|---------|-----|---------|
| Model | Year | MG | SG | Illustration | Restrictions | UPD | 20:06 | 24.01.2010 | PORSCHE | PET | PORSCHE |
| 996T | 2005 | 8 | 11 | 811-13 | | 248 | | | | | |

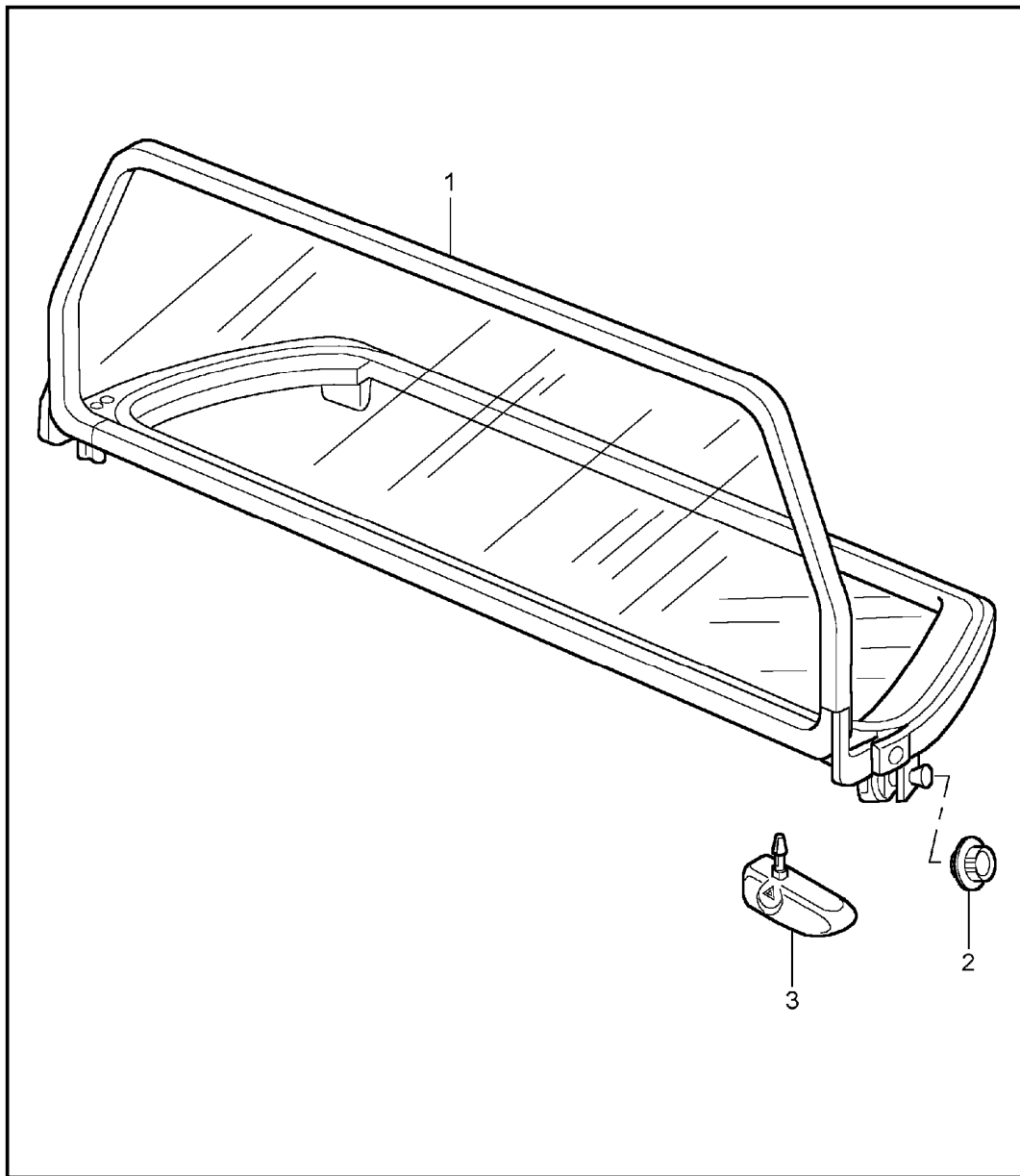


| Pos | Part Number | Description | Remark | Qty | Model |
|------|----------------|---|--------|-----|-------|
| | | convertible top compartm. lid gaskets | | | TURBO |
| 1 | 996 514 011 02 | lid | | 1 | |
| | | GRV prime coated | | | |
| 2 | 996 514 631 00 | sealing strip | -05 | 1 | |
| - | 000 043 207 26 | adhesive tape | | 1 | |
| 3 | 996 514 731 00 | gasket | | 1 | |
| 4 | 996 514 714 00 | edge protection | | 1 | |
| 5 | 996 514 211 04 | gasket | | 1 | |
| 6 | 996 561 907 02 | hinge | /L | 1 | |
| 6 | 996 561 908 02 | hinge | /R | 1 | |
| 7 | 900 377 003 02 | hexagon nut | | 4 | |
| 8 | 900 378 180 09 | hexagon-head bolt | | 2 | |
| 9 | 996 561 805 03 | water drip pan | /L | 1 | |
| 9 | 996 561 806 03 | water drip pan | /R | 1 | |
| 10 | 996 561 815 01 | water drain hose | /L | 1 | |
| 10 | 996 561 816 01 | water drain hose | /R | 1 | |
| - | 996 561 809 00 | clamp for Pos. 10 | | 2 | |
| 11 | 999 703 432 40 | stopper | | 2 | |
| 12 | 996 561 755 01 | water drain strip | | 1 | |
| (12) | 996 561 756 01 | water drain strip | | 1 | |
| 13 | 999 507 647 02 | tab washer | | 4 | |
| 14 | 999 073 047 02 | tapping screw | | 2 | |
| 15 | 996 561 633 01 | buffer | | 2 | |
| 16 | 999 507 600 09 | u-clamp | | 2 | |
| 17 | 996 514 651 02 | mounting | /L | 1 | |
| 17 | 996 514 652 02 | mounting | /R | 1 | |
| 18 | 999 073 189 09 | oval-head screw | | 6 | |

| | | | | | | | | | | | |
|-------|------|----|----|--------------|--------------|-----|-------|------------|---------|-----|---------|
| Model | Year | MG | SG | Illustration | Restrictions | UPD | 20:06 | 24.01.2010 | PORSCHE | PET | PORSCHE |
| 996T | 2005 | 8 | 11 | 811-13 | | 248 | | | | | |

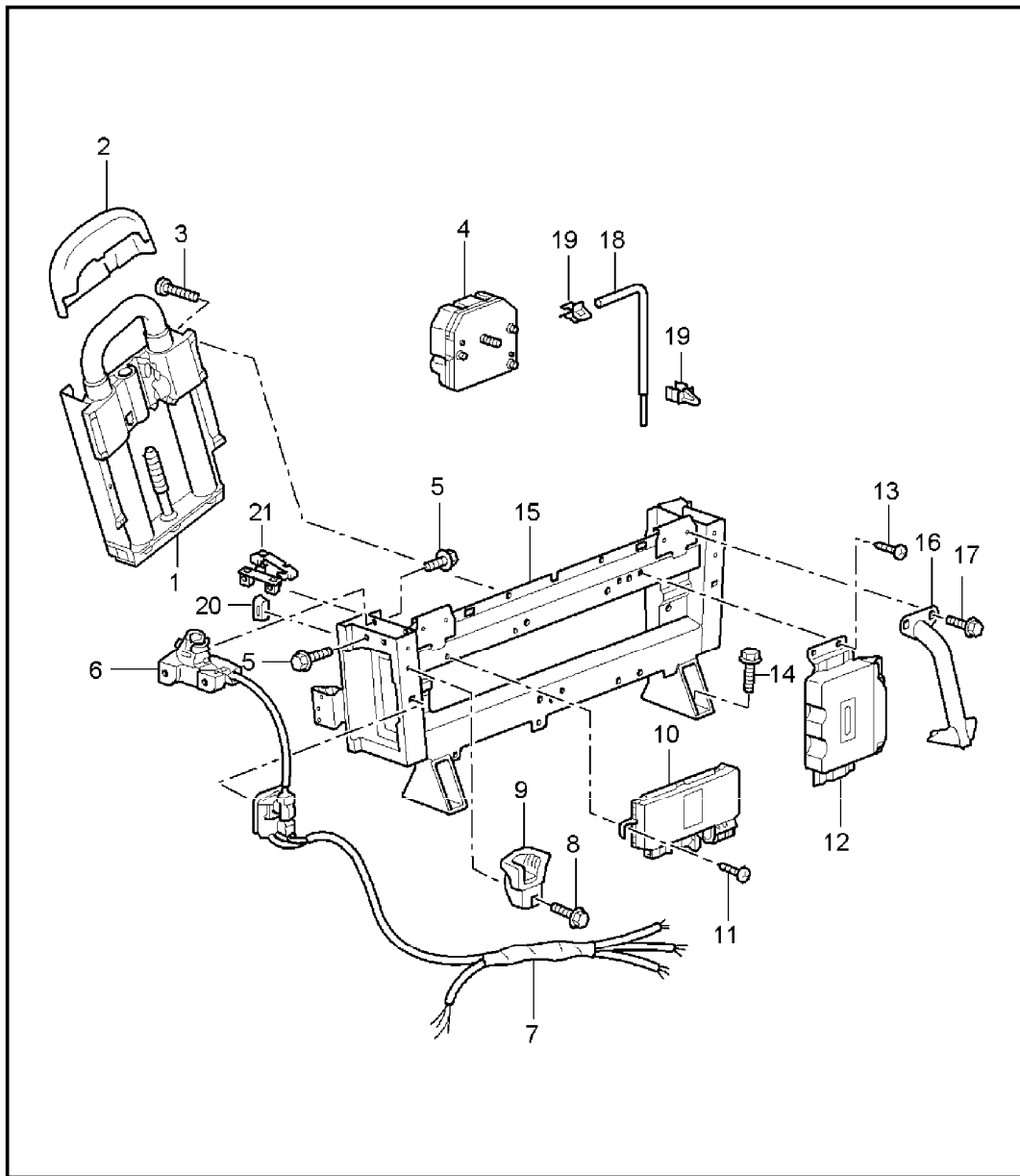
| Pos | Part Number | Description | Remark | Qty | Model | Pos | Part Number | Description | Remark | Qty | Model |
|------|----------------|-----------------|--------|-----|-------|-----|-------------|-------------|--------|-----|-------|
| 19 | 996 504 861 00 | cover | /L | 1 | | | | | | | |
| | GRV | prime coated | | | | | | | | | |
| (19) | 996 504 862 00 | cover | /R | 1 | | | | | | | |
| | GRV | prime coated | | | | | | | | | |
| 20 | 999 702 264 40 | grommet | | 4 | | | | | | | |
| 21 | 996 561 061 02 | flap | /L | 1 | | | | | | | |
| 21 | 996 561 061 02 | flap | /L | 1 | | | | | | | |
| (21) | 996 561 062 02 | flap | /R | 1 | | | | | | | |
| (21) | 996 561 062 02 | flap | /R | 1 | | | | | | | |
| 22 | 999 500 086 02 | blind rivet nut | | 4 | | | | | | | |
| 23 | 999 242 004 02 | threaded pin | | 2 | | | | | | | |
| 24 | 900 360 001 02 | nut | | 2 | | | | | | | |
| (24) | 996 504 855 01 | mounting | | 4 | | | | | | | |
| 25 | 996 561 904 00 | adhesive plate | | X | | | | | | | |
| 26 | 986 561 633 01 | buffer | | 1 | | | | | | | |
| 27 | 999 703 140 40 | buffer | | 1 | | | | | | | |
| 28 | 996 561 401 00 | stop | /L | 1 | | | | | | | |
| (28) | 996 561 402 00 | stop | /R | 1 | | | | | | | |
| 29 | 996 561 465 00 | clip | | 1 | | | | | | | |
| 30 | 999 073 130 02 | oval-head screw | | 2 | | | | | | | |
| 31 | 996 514 511 00 | clip | | 2 | | | | | | | |

| | | | | | | | | | | | |
|-------|------|----|----|--------------|--------------|-----|-------|------------|---------|-----|---------|
| Model | Year | MG | SG | Illustration | Restrictions | UPD | 20:06 | 24.01.2010 | PORSCHE | PET | PORSCHE |
| 996T | 2005 | 8 | 11 | 811-14 | | 248 | | | | | |



| Pos | Part Number | Description | Remark | Qty | Model |
|-----|----------------|----------------|--------|-----|-------|
| | | wind deflector | | | TURBO |
| 1 | 996 561 125 02 | wind deflector | | 1 | |
| | 01C | black | | | |
| 2 | 996 561 127 00 | rosette | /L | 1 | |
| | 01C | black | | | |
| 2 | 996 561 128 00 | rosette | /R | 1 | |
| | 01C | black | | | |
| 3 | 996 561 955 00 | repair kit | /L | 1 | |
| (3) | 996 561 956 00 | repair kit | /R | 1 | |

| | | | | | | | | | | | |
|-------|------|----|----|--------------|--------------|-----|-------|------------|---------|-----|---------|
| Model | Year | MG | SG | Illustration | Restrictions | UPD | 20:06 | 24.01.2010 | PORSCHE | PET | PORSCHE |
| 996T | 2005 | 8 | 11 | 811-15 | | 248 | | | | | |

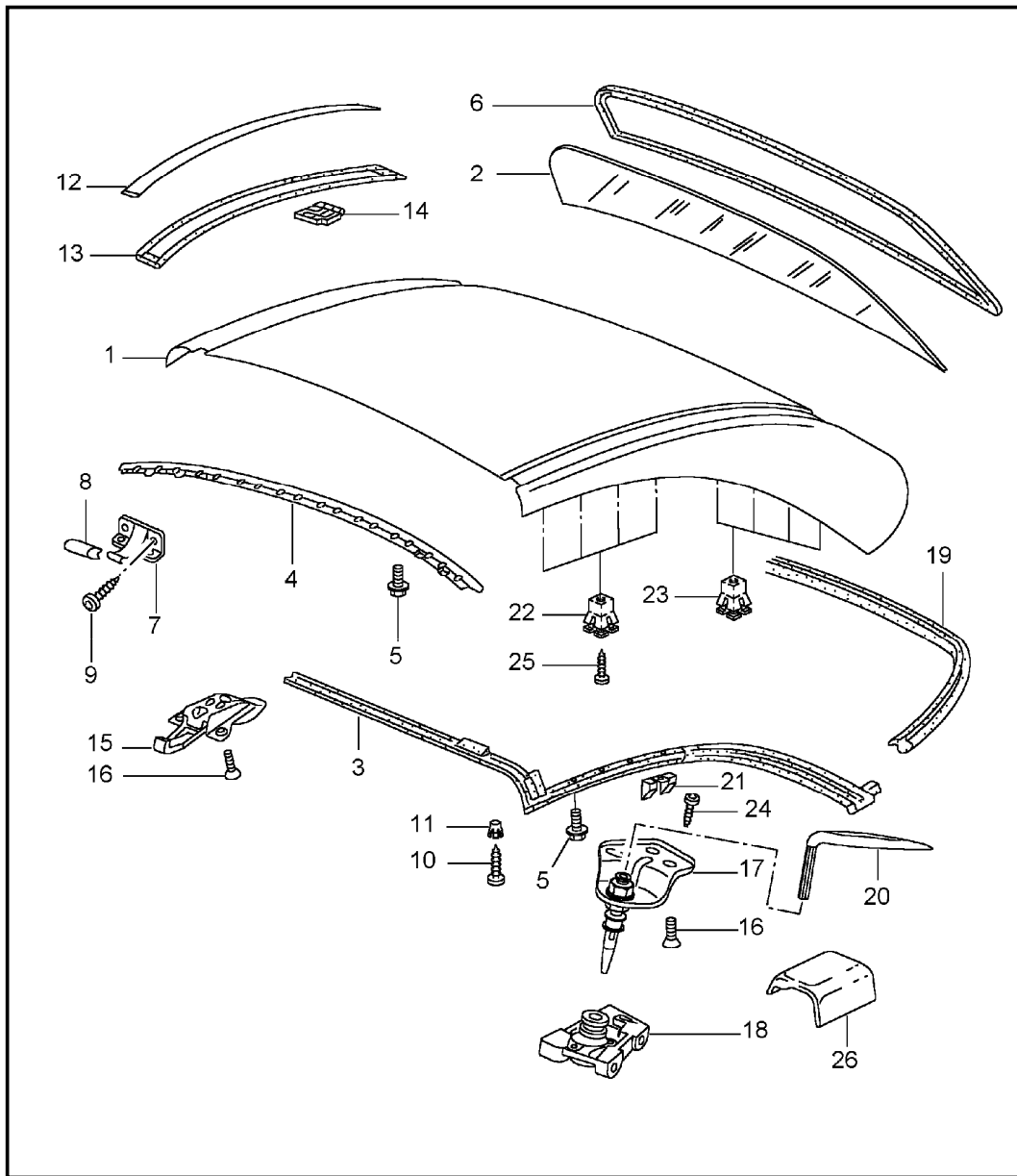


| Pos | Part Number | Description | Remark | Qty | Model |
|------|----------------|---|--------|-----|--------------|
| | | roll-over bar | | | TURBO CABRIO |
| 1 | 996 580 021 01 | roll-over bar | | 2 | |
| 2 | 996 580 191 01 | cap | | 2 | |
| 3 | 900 067 382 09 | hexagon-head bolt | | 12 | |
| 4 | 996 618 281 00 | control unit | | 1 | |
| 5 | 900 378 173 09 | hexagon-head bolt | | 4 | |
| - | 999 084 635 02 | shear-off nut | | 3 | |
| 6 | | mounting see illustrations 08/11/16 | | 2 | M550 |
| 7 | 996 612 065 15 | wiring harness | | 1 | |
| 8 | 900 378 173 09 | hexagon-head bolt | | 2 | |
| 9 | 996 561 463 02 | guide | /L | 1 | |
| 9 | 996 561 464 02 | guide | /R | 1 | |
| 10 | 996 618 111 04 | control unit | | 1 | |
| 11 | 999 073 060 02 | tapping screw | | X | |
| 12 | --- | see group 9/01/03 | | X | |
| 13 | 999 073 060 02 | tapping screw | | X | |
| 14 | 900 378 173 09 | hexagon-head bolt | | 4 | |
| 15 | 996 580 311 02 | auxiliary support | | 1 | |
| -- | 999 590 050 40 | catch | | 4 | |
| -- | 999 650 176 40 | clip | | 3 | |
| 16 | 996 580 331 02 | bracket | /L | 1 | |
| (16) | 996 580 332 02 | bracket | /R | 1 | |
| 17 | 900 378 173 09 | hexagon-head bolt | | X | |
| 18 | 999 571 079 03 | angular screw driver | | 1 | |
| 19 | 999 507 633 40 | retaining clip | | 2 | |
| 20 | 996 561 457 00 | sleeve | | 2 | |
| 21 | 996 561 297 00 | insert | /L | 1 | |

| | | | | | | | | | | | |
|-------|------|----|----|--------------|--------------|-----|-------|------------|----------------------------|--|--|
| Model | Year | MG | SG | Illustration | Restrictions | UPD | 20:06 | 24.01.2010 | PORSCHE PET PORSCHE | | |
| 996T | 2005 | 8 | 11 | 811-15 | | 248 | | | | | |

| Pos | Part Number | Description | Remark | Qty | Model | Pos | Part Number | Description | Remark | Qty | Model |
|------|----------------|-------------|--------|-----|-------|-----|-------------|-------------|--------|-----|-------|
| (21) | 996 561 298 00 | insert | /R | 1 | | | | | | | |

| | | | | | | | | | | | |
|-------|------|----|----|--------------|--------------|-----|-------|------------|---------|-----|---------|
| Model | Year | MG | SG | Illustration | Restrictions | UPD | 20:07 | 24.01.2010 | PORSCHE | PET | PORSCHE |
| 996T | 2005 | 8 | 11 | 811-16 | | 248 | | | | | |

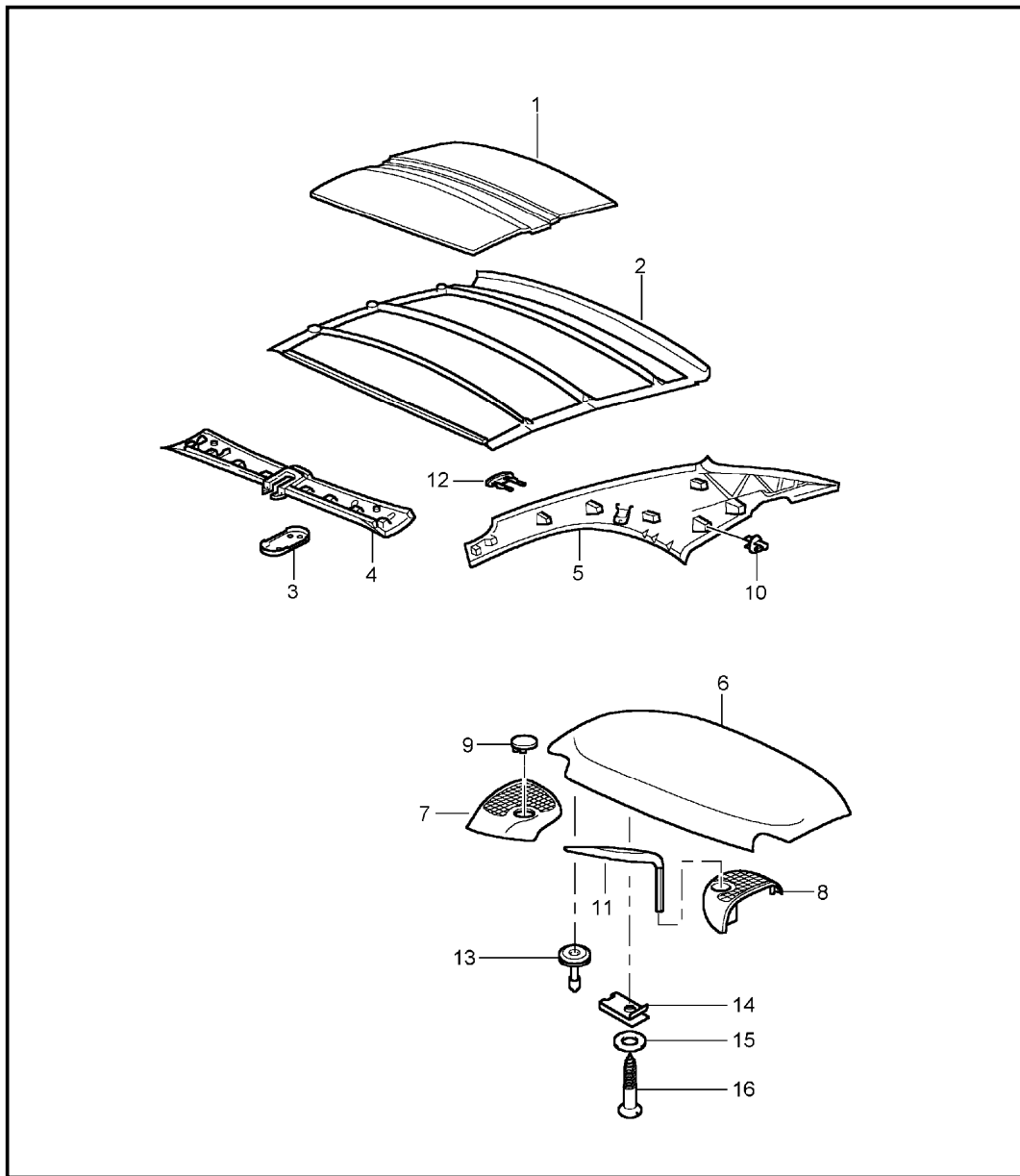


| Pos | Part Number | Description | Remark | Qty | Model |
|------|----------------|--------------------------------------|--------|-----|------------|
| | | hardtop accessories gaskets | | | TURBO M550 |
| 1 | 996 563 911 00 | hardtop | | 1 | |
| | | GRV prime coated without accessories | | | |
| 2 | 996 563 091 00 | rear window ready for installation | | 1 | |
| 3 | 996 563 025 02 | roof frame seal | | 1 | |
| -- | 996 563 309 00 | retaining strip | /L | 1 | |
| -- | 996 563 310 00 | retaining strip | /R | 1 | |
| 4 | 996 563 319 00 | retaining strip | | 1 | |
| 5 | 900 067 378 09 | pan-head screw | | 10 | |
| 6 | 996 563 029 00 | gasket | | 1 | |
| 7 | 996 563 405 00 | centring journal | /L | 1 | |
| (7) | 996 563 406 00 | centring journal | /R | 1 | |
| 8 | 996 563 705 01 | cap | /L | 1 | |
| 8 | 996 563 706 01 | cap | /R | 1 | |
| 9 | 999 919 144 09 | oval-head screw | | 4 | |
| 10 | 999 073 049 02 | tapping screw | | 14 | |
| 11 | 999 507 547 40 | expander nut | | 8 | |
| 12 | 996 563 707 00 | cover strip | /L | 1 | |
| | | GRV prime coated | | | |
| (12) | 996 563 708 00 | cover strip | /R | 1 | |
| | | GRV prime coated | | | |
| 13 | 996 563 361 00 | gasket | /L | 1 | |
| (13) | 996 563 362 00 | gasket | /R | 1 | |
| 14 | 986 563 721 00 | clip | | 8 | |
| 15 | 996 563 401 00 | catch | | 1 | |
| 16 | 900 378 030 09 | hexagon-head bolt M 6X20 | | 3 | |

| | | | | | | | | | | | |
|-------|------|----|----|--------------|--------------|-----|-------|------------|---------|-----|---------|
| Model | Year | MG | SG | Illustration | Restrictions | UPD | 20:07 | 24.01.2010 | PORSCHE | PET | PORSCHE |
| 996T | 2005 | 8 | 11 | 811-16 | | 248 | | | | | |

| Pos | Part Number | Description | Remark | Qty | Model | Pos | Part Number | Description | Remark | Qty | Model |
|------|----------------|------------------------|--------|-----|-------|-----|-------------|-------------|--------|-----|-------|
| 17 | 996 563 403 03 | catch | /L | -04 | 1 | | | | | | |
| 17 | 996 563 403 04 | catch | /L | -05 | 1 | | | | | | |
| (17) | 996 563 404 03 | catch | /R | -04 | 1 | | | | | | |
| (17) | 996 563 404 04 | catch | /R | 05- | 1 | | | | | | |
| 18 | 996 561 653 03 | mounting | /L | -04 | 1 | | | | | | |
| 18 | 996 561 653 04 | mounting | /L | 05- | 1 | | | | | | |
| -- | 996 561 657 01 | insert | | -04 | 1 | | | | | | |
| -- | 996 561 657 02 | insert | | 05- | 1 | | | | | | |
| -- | 900 249 031 09 | countersunk-head screw | | | 6 | | | | | | |
| (18) | 996 561 654 03 | mounting | /R | -04 | 1 | | | | | | |
| (18) | 996 561 654 04 | mounting | /R | 05- | 1 | | | | | | |
| -- | 996 561 658 01 | insert | | -04 | 1 | | | | | | |
| -- | 996 561 658 02 | insert | | 05- | 1 | | | | | | |
| 19 | 996 563 027 01 | gasket | | | 1 | | | | | | |
| 20 | 996 563 413 00 | tool | | -04 | 1 | | | | | | |
| 20 | 996 563 413 01 | tool | | 05- | 1 | | | | | | |
| 21 | 996 563 125 00 | thrust wedge | | | 2 | | | | | | |
| 22 | 999 507 923 40 | expander nut green | | | 8 | | | | | | |
| 23 | 999 507 924 40 | expander nut yellow | | | 8 | | | | | | |
| 24 | 999 450 008 09 | tapping screw | | | 2 | | | | | | |
| 25 | 999 073 049 02 | tapping screw | | | 16 | | | | | | |
| 26 | 996 563 421 01 | protective tab | | | 2 | | | | | | |
| -- | 999 507 659 40 | expander nut | /L | | 1 | | | | | | |
| -- | 999 507 662 40 | expander nut | /R | | 1 | | | | | | |

| | | | | | | | | | | | |
|-------|------|----|----|--------------|--------------|-----|-------|------------|---------|-----|---------|
| Model | Year | MG | SG | Illustration | Restrictions | UPD | 20:07 | 24.01.2010 | PORSCHE | PET | PORSCHE |
| 996T | 2005 | 8 | 11 | 811-17 | | 248 | | | | | |

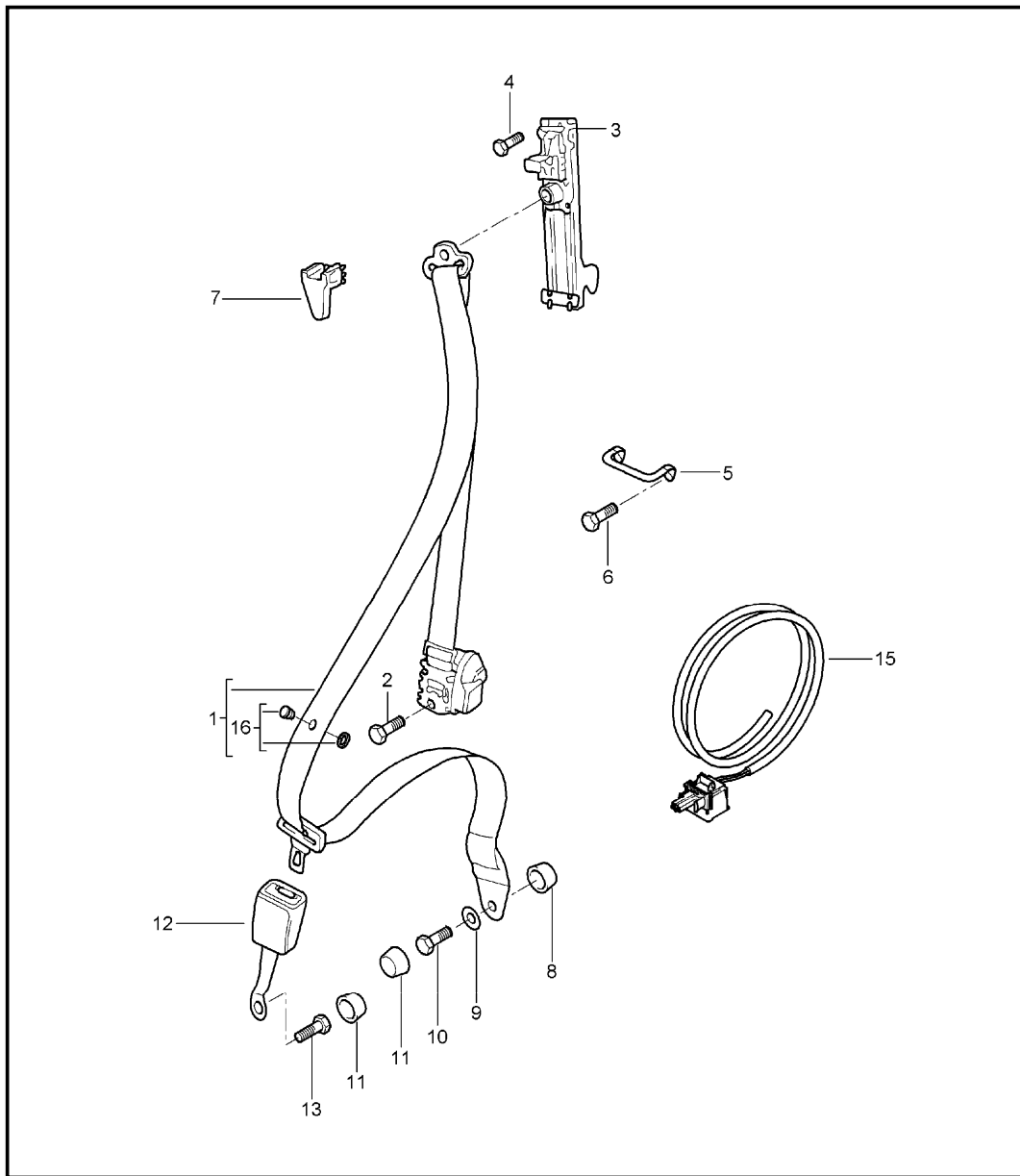


| Pos | Part Number | Description | Remark | Qty | Model |
|-----|----------------|---------------------------|--------|-----|-------|
| | | hardtop sound absorber | | | TURBO |
| 1 | 996 563 523 00 | sound absorber | | 1 | |
| 2 | 996 563 111 00 | roofliner | | 1 | |
| | A20 | black | | | |
| 3 | 996 563 551 00 | trim cover | | 1 | |
| | 01C | black | | | |
| 4 | 996 563 501 00 | lining leatherette | | 1 | |
| | A12 | black | | | |
| | B52 | space grey | | | |
| | C52 | graphite grey | | | |
| | G12 | metropole blue | | | |
| | S32 | savanna | | | |
| | J32 | nephrite green | | | |
| 5 | 996 563 503 00 | lining leatherette | /L | 1 | |
| | A12 | black | | | |
| | B52 | space grey | | | |
| | C52 | graphite grey | | | |
| | G12 | metropole blue | | | |
| | S32 | savanna | | | |
| | J32 | nephrite green | | | |
| (5) | 996 563 504 00 | lining leatherette | /R | 1 | |
| | A12 | black | | | |
| | B52 | space grey | | | |
| | C52 | graphite grey | | | |
| | G12 | metropole blue | | | |
| | S32 | savanna | | | |
| | J32 | nephrite green | | | |

| | | | | | | | | | | | |
|-------|------|----|----|--------------|--------------|-----|-------|------------|---------|-----|---------|
| Model | Year | MG | SG | Illustration | Restrictions | UPD | 20:07 | 24.01.2010 | PORSCHE | PET | PORSCHE |
| 996T | 2005 | 8 | 11 | 811-17 | | 248 | | | | | |

| Pos | Part Number | Description | Remark | Qty | Model | Pos | Part Number | Description | Remark | Qty | Model |
|-----|----------------|----------------------------|--------|-----|-------|-----|----------------|---------------|--------|-----|-------|
| 6 | 996 563 505 00 | lining | | 1 | | 16 | 900 143 046 02 | tapping screw | | 2 | |
| | A07 | black | | | | | | | | | |
| | B07 | space grey | | | | | | | | | |
| | C07 | graphite grey | | | | | | | | | |
| | G07 | metropole blue | | | | | | | | | |
| 7 | 996 563 554 00 | lining | /R | 1 | | | | | | | |
| | A10 | black | | | | | | | | | |
| | B50 | space grey | | | | | | | | | |
| | C50 | graphite grey | | | | | | | | | |
| | G10 | metropole blue | | | | | | | | | |
| 8 | 996 563 553 00 | lining | /L | 1 | | | | | | | |
| | A10 | black | | | | | | | | | |
| | B50 | space grey | | | | | | | | | |
| | C50 | graphite grey | | | | | | | | | |
| | G10 | metropole blue | | | | | | | | | |
| 9 | 996 555 457 00 | lid | | 2 | | | | | | | |
| | A10 | black | | | | | | | | | |
| | C50 | graphite grey | | | | | | | | | |
| | G10 | metropole blue | | | | | | | | | |
| | B50 | space grey | | | | | | | | | |
| 10 | 999 507 764 40 | clip | | X | | | | | | | |
| 11 | 996 563 413 00 | tool | -04 | 1 | | | | | | | |
| 11 | 996 563 413 01 | tool | 05- | 1 | | | | | | | |
| 12 | 996 563 561 00 | rubber stop | | 2 | | | | | | | |
| | 01C | black for sun visors | | | | | | | | | |
| 13 | 999 507 764 40 | clip | | X | | | | | | | |
| 14 | 999 507 030 02 | speed nut | | 2 | | | | | | | |
| 15 | 900 151 027 02 | washer | | 2 | | | | | | | |

| | | | | | | | | | | | |
|-------|------|----|----|--------------|--------------|-----|-------|------------|---------|-----|---------|
| Model | Year | MG | SG | Illustration | Restrictions | UPD | 20:07 | 24.01.2010 | PORSCHE | PET | PORSCHE |
| 996T | 2005 | 8 | 12 | 812-00 | | 248 | | | | | |

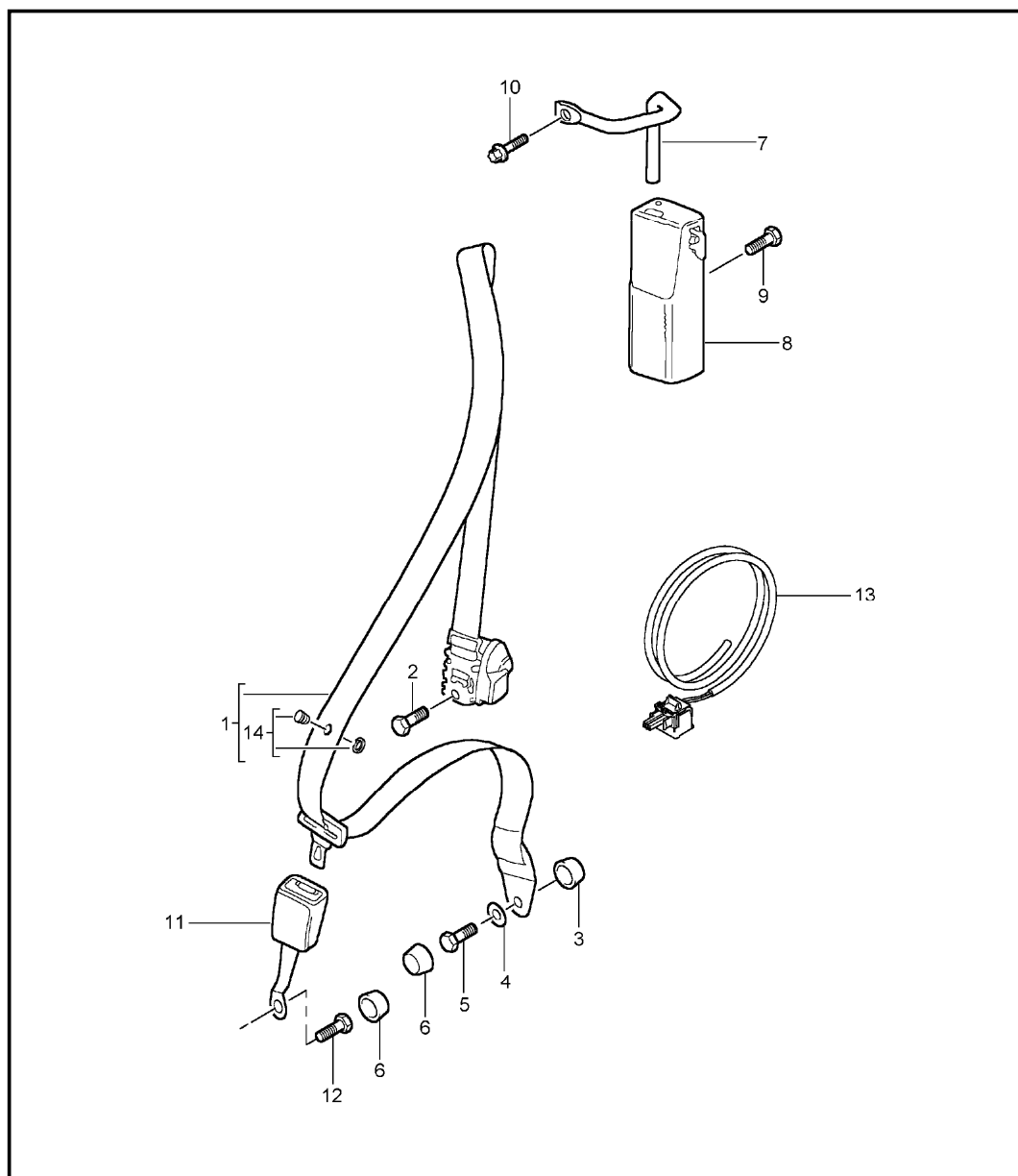


| Pos | Part Number | Description | Remark | Qty | Model |
|-----|------------------|------------------------------------|--------|-----|-------|
| | | seat belt front | | | COUPE |
| 1 | 996 803 033 04 | seat belt | /L | -01 | 1 |
| 1 | 996 803 033 02 | seat belt | /L | 02- | 1 |
| 1 | 996 803 981 04 | seat belt | /L | 02- | 1 |
| | V02 | speed yellow | | | |
| | H03 | maritime blue | | | |
| | N13 | guards red | | | |
| (1) | 996 803 034 08 | seat belt | /R | -01 | 1 |
| (1) | 996 803 034 04 | seat belt | /R | 02- | 1 |
| (1) | A 996 803 034 06 | seat belt black for child car seat | /R | 02- | 1 |
| (1) | 997 803 034 02 | seat belt | /R | 02- | 1 |
| | A23 | black for child car seat | | | |
| (1) | 996 803 982 06 | seat belt | /R | 02- | 1 |
| | V02 | speed yellow | | | |
| | H03 | maritime blue | | | |
| | N13 | guards red | | | |
| (1) | 996 803 982 08 | seat belt for child car seat | /R | 02- | 1 |
| | V02 | speed yellow | | | |
| | H03 | maritime blue | | | |
| | N13 | guards red | | | |
| 2 | 911 803 150 00 | fastening screw | | | 2 |
| 3 | 996 803 231 02 | height adjustment | | 00- | 2 |
| 4 | 900 067 131 02 | pan-head screw | | | 2 |
| 5 | 996 803 825 01 | relay lever | | | 2 |
| 6 | 900 378 036 09 | hexagon-head bolt | | | 4 |

| | | | | | | | | | | | |
|-------|------|----|----|--------------|--------------|-----|-------|------------|---------|-----|---------|
| Model | Year | MG | SG | Illustration | Restrictions | UPD | 20:07 | 24.01.2010 | PORSCHE | PET | PORSCHE |
| 996T | 2005 | 8 | 12 | 812-00 | | 248 | | | | | |

| Pos | Part Number | Description | Remark | Qty | Model | Pos | Part Number | Description | Remark | Qty | Model |
|------|----------------|---|--------|-----|-------|------|----------------|--|--------|-----|-------|
| 7 | 996 803 521 00 | cover | | 2 | | -- K | 996 580 982 01 | roll cage with installation parts | | 1 | |
| | 01C | black | | | | -- K | 996 580 995 01 | installation parts for roll cage | | 1 | |
| 8 | 999 924 064 02 | spacer sleeve | | 2 | | 16 | 955 803 056 00 | knob | | 2 | |
| 9 | 211 857 771 | washer | | 2 | | | HCP | black | | | |
| 10 | 999 075 073 09 | screw | | 2 | | | | | | | |
| 11 | 811 857 845 | cap | | 2 | | | | | | | |
| | 01C | black | | | | | | | | | |
| 12 | 996 803 183 04 | seat-belt buckle driver's side | | 1 | | | | | | | |
| 12 | 996 803 183 07 | seat-belt buckle driver's side | 02- | 1 | | | | | | | |
| 12 | 996 803 183 01 | seat-belt buckle passenger's side | | 1 | | | | | | | |
| 12 | 996 803 183 08 | seat-belt buckle passenger's side | 02- | 1 | | | | | | | |
| 13 | 999 218 101 02 | fastening screw | | 2 | | | | | | | |
| 15 | 996 612 991 10 | cable driver's side for seat-belt tensioner | | X | | | | | | | |
| 15 | 996 612 991 00 | cable passenger's side for seat-belt tensioner | | X | | | | | | | |
| -- K | 996 803 037 90 | seat belt 6-point red | /L | 1 | GT2 | | | | | | |
| -- K | 996 803 038 90 | seat belt 6-point red | /R | 1 | GT2 | | | | | | |
| -- K | 996 803 691 9A | fastening screw for 6-point | | 2 | | | | | | | |
| -- K | 996 803 689 9A | spacer sleeve | | 2 | | | | | | | |
| -- | 999 028 014 02 | washer | | 2 | | | | | | | |
| -- K | 996 803 687 9A | guide sleeve | | 2 | | | | | | | |
| -- | 999 025 230 02 | washer | | 2 | | | | | | | |

| | | | | | | | | | | | |
|-------|------|----|----|--------------|--------------|-----|-------|------------|---------|-----|---------|
| Model | Year | MG | SG | Illustration | Restrictions | UPD | 20:07 | 24.01.2010 | PORSCHE | PET | PORSCHE |
| 996T | 2005 | 8 | 12 | 812-01 | | 248 | | | | | |

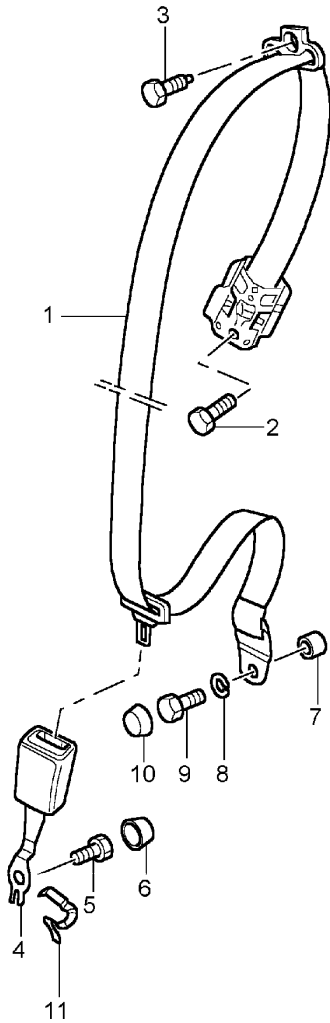


| Pos | Part Number | Description | Remark | Qty | Model |
|-----|----------------|------------------------------|--------|-----|--------|
| | | seat belt front | | | CABRIO |
| 1 | 996 803 033 03 | seat belt | /L | 1 | |
| 1 | 996 803 981 03 | seat belt | /L | 1 | |
| | V02 | speed yellow | | | |
| | H03 | maritime blue | | | |
| | N13 | guards red | | | |
| (1) | 996 803 034 05 | seat belt | /R | 1 | |
| (1) | 996 803 982 07 | seat belt | /R | 1 | |
| | V02 | speed yellow | | | |
| | H03 | maritime blue | | | |
| | N13 | guards red | | | |
| (1) | 996 803 982 09 | seat belt for child car seat | /R | 1 | |
| | V02 | speed yellow | | | |
| | H03 | maritime blue | | | |
| | N13 | guards red | | | |
| 2 | 911 803 150 00 | fastening screw | | 2 | |
| 3 | 999 924 064 02 | spacer sleeve | | 2 | |
| 4 | 211 857 771 | washer | | 2 | |
| 5 | 803 019 811 B | fastening screw | | 2 | |
| 6 | 811 857 845 | cap | | 2 | |
| 7 | 996 803 815 00 | reverse lever | /L | 1 | |
| 7 | 996 803 816 00 | reverse lever | /R | 1 | |
| 8 | 996 803 581 00 | mounting | /L | 1 | |
| 8 | 996 803 582 00 | mounting | /R | 1 | |
| 9 | 900 378 074 09 | fastening screw | | 4 | |
| 10 | 900 378 017 09 | fastening screw | | 2 | |

| | | | | | | | | | | | |
|-------|------|----|----|--------------|--------------|-----|-------|------------|---------|-----|---------|
| Model | Year | MG | SG | Illustration | Restrictions | UPD | 20:07 | 24.01.2010 | PORSCHE | PET | PORSCHE |
| 996T | 2005 | 8 | 12 | 812-01 | | 248 | | | | | |

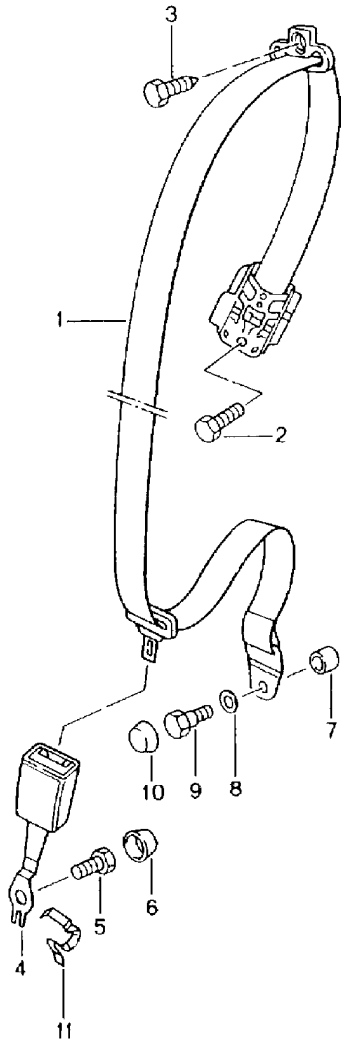
| Pos | Part Number | Description | Remark | Qty | Model | Pos | Part Number | Description | Remark | Qty | Model |
|-----|-----------------------|---|--------|-----|-------|-----|-------------|-------------|--------|-----|-------|
| 11 | 996 803 183 07 | seat-belt buckle driver's side passenger's side | | 1 | | | | | | | |
| 11 | 996 803 183 08 | seat-belt buckle passenger's side | | 1 | | | | | | | |
| 12 | 999 218 101 02 | fastening screw | | 2 | | | | | | | |
| 13 | 996 612 990 10 | cable driver's side for seat-belt tensioner | | X | | | | | | | |
| 13 | 996 612 991 00 | cable passenger's side for seat-belt tensioner | | X | | | | | | | |
| 14 | 955 803 056 00 HCP | knob black | | 2 | | | | | | | |

| | | | | | | | | | | | |
|-------|------|----|----|--------------|--------------|-----|-------|------------|---------|-----|---------|
| Model | Year | MG | SG | Illustration | Restrictions | UPD | 20:07 | 24.01.2010 | PORSCHE | PET | PORSCHE |
| 996T | 2005 | 8 | 12 | 812-05 | | 248 | | | | | |



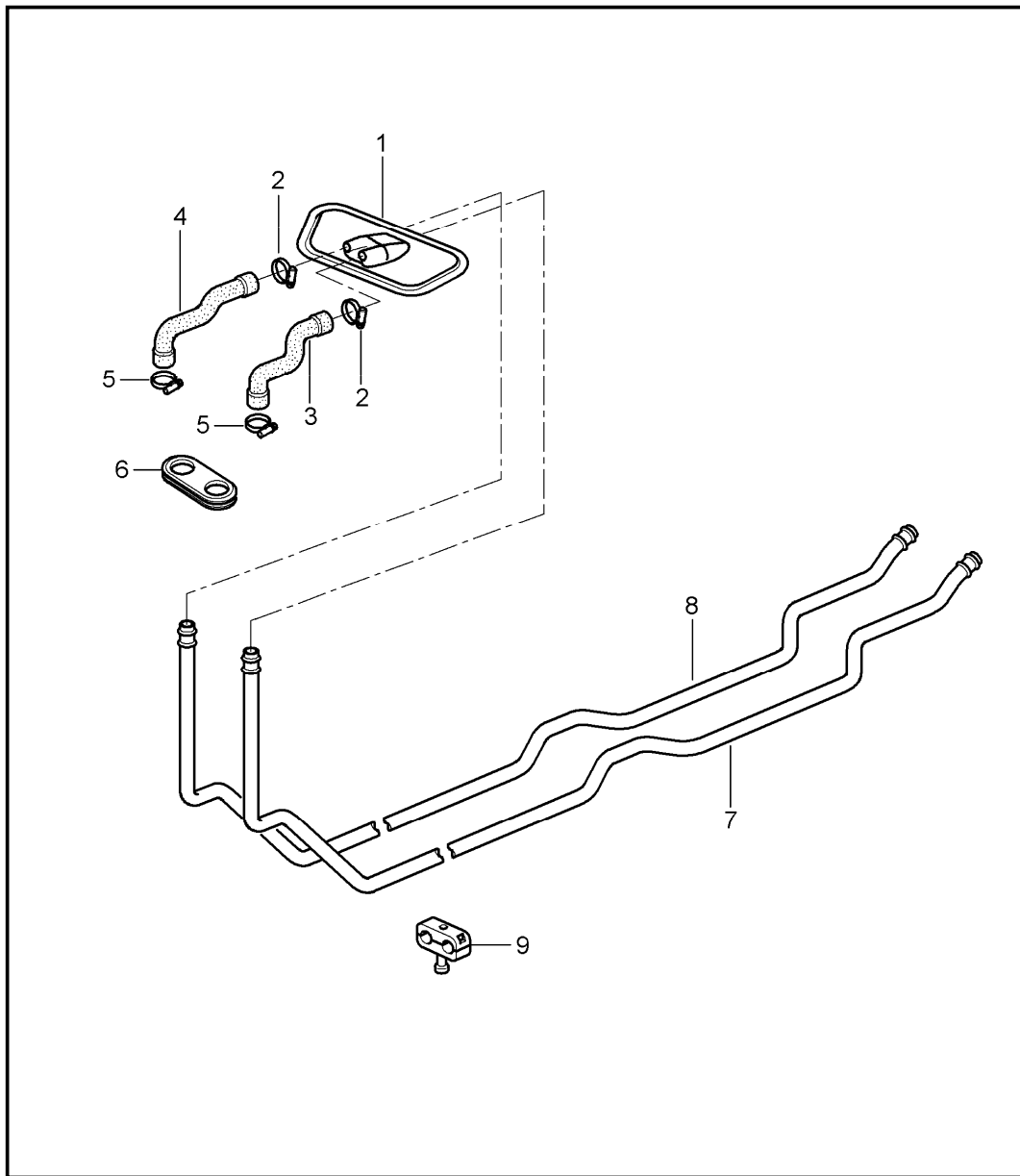
| Pos | Part Number | Description | Remark | Qty | Model |
|-----|----------------|------------------|--------|-----|-------|
| | | seat belt rear | | | COUPE |
| 1 | 996 803 035 08 | seat belt | /L | 1 | |
| 1 | 996 803 983 06 | seat belt | /L | 1 | |
| | V02 | speed yellow | | | |
| | H03 | marine blue | | | |
| | N13 | guards red | | | |
| (1) | 996 803 036 08 | seat belt | /R | 1 | |
| (1) | 996 803 984 06 | seat belt | /R | 1 | |
| | V02 | speed yellow | | | |
| | H03 | marine blue | | | |
| | N13 | guards red | | | |
| 2 | 911 803 150 00 | fastening screw | | 2 | |
| 3 | 999 075 057 09 | fastening screw | | 2 | |
| 4 | 996 803 165 01 | seat-belt buckle | /L | 1 | |
| (4) | 996 803 166 01 | seat-belt buckle | /R | 1 | |
| 5 | 911 803 150 00 | fastening screw | | 2 | |
| 6 | 811 857 845 | cap | | 2 | |
| 7 | 999 924 064 02 | spacer sleeve | | 2 | |
| 8 | 211 857 771 | washer | | 2 | |
| 9 | 803 019 811 B | screw | | 2 | |
| 10 | 811 857 845 | cap | | 2 | M193 |
| 11 | 996 551 745 00 | clamp | /L | 2 | |
| 11 | 996 551 746 00 | clamp | /R | 2 | |

| | | | | | | | | | | | |
|-------|------|----|----|--------------|--------------|-----|-------|------------|---------|-----|---------|
| Model | Year | MG | SG | Illustration | Restrictions | UPD | 20:08 | 24.01.2010 | PORSCHE | PET | PORSCHE |
| 996T | 2005 | 8 | 12 | 812-06 | | 248 | | | | | |



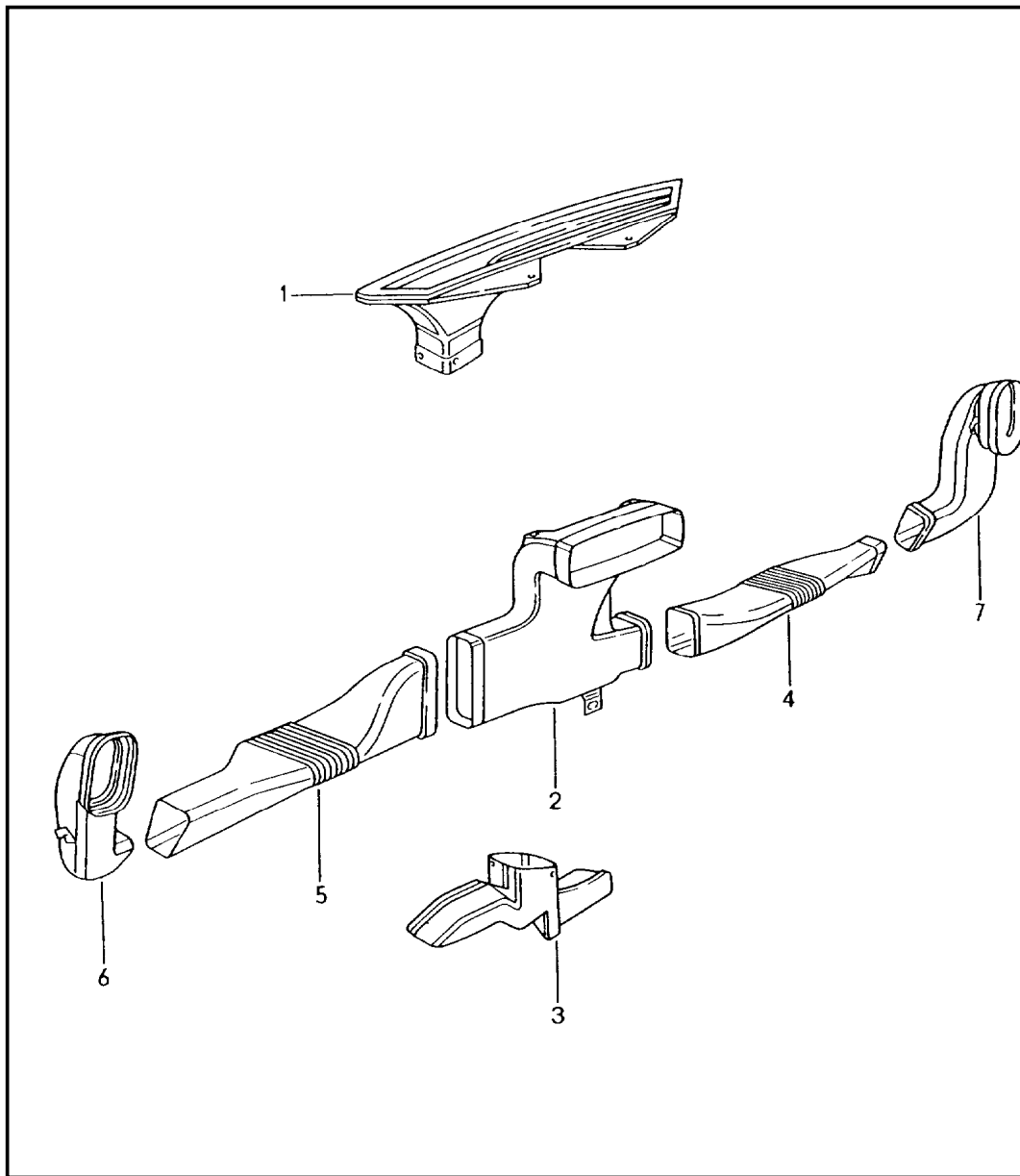
| Pos | Part Number | Description | Remark | Qty | Model |
|-----|----------------|------------------|--------|-----|--------------|
| | | seat belt rear | | | TURBO CABRIO |
| 1 | 996 803 035 06 | seat belt | /L | 1 | CABRIO |
| 1 | 996 803 983 08 | seat belt | /L | 1 | CABRIO |
| | V02 | speed yellow | | | |
| | H03 | marine blue | | | |
| | N13 | guards red | | | |
| 1 | 996 803 036 06 | seat belt | /R | 1 | CABRIO |
| 1 | 996 803 984 08 | seat belt | /R | 1 | CABRIO |
| | V02 | speed yellow | | | |
| | H03 | marine blue | | | |
| | N13 | guards red | | | |
| 2 | 911 803 150 00 | fastening screw | | 2 | CABRIO |
| 3 | 999 075 057 09 | fastening screw | | 2 | |
| 4 | 996 803 165 01 | seat-belt buckle | /L | 1 | |
| 4 | 996 803 166 01 | seat-belt buckle | /R | 1 | |
| 5 | 911 803 150 00 | fastening screw | | 2 | |
| 6 | 811 857 845 | cap | | 2 | |
| 7 | 999 924 064 02 | sleeve | | 2 | |
| 8 | 211 857 771 | washer | | 2 | |
| 9 | 803 019 811 B | fastening screw | | 2 | |
| 10 | 811 857 845 | cap | | 2 | |
| | 01C | black | | | |
| 11 | 996 551 745 00 | clamp | | 2 | |

| | | | | | | | | | | | |
|-------|------|----|----|--------------|--------------|-----|-------|------------|---------|-----|---------|
| Model | Year | MG | SG | Illustration | Restrictions | UPD | 20:08 | 24.01.2010 | PORSCHE | PET | PORSCHE |
| 996T | 2005 | 8 | 13 | 813-00 | | 248 | | | | | |



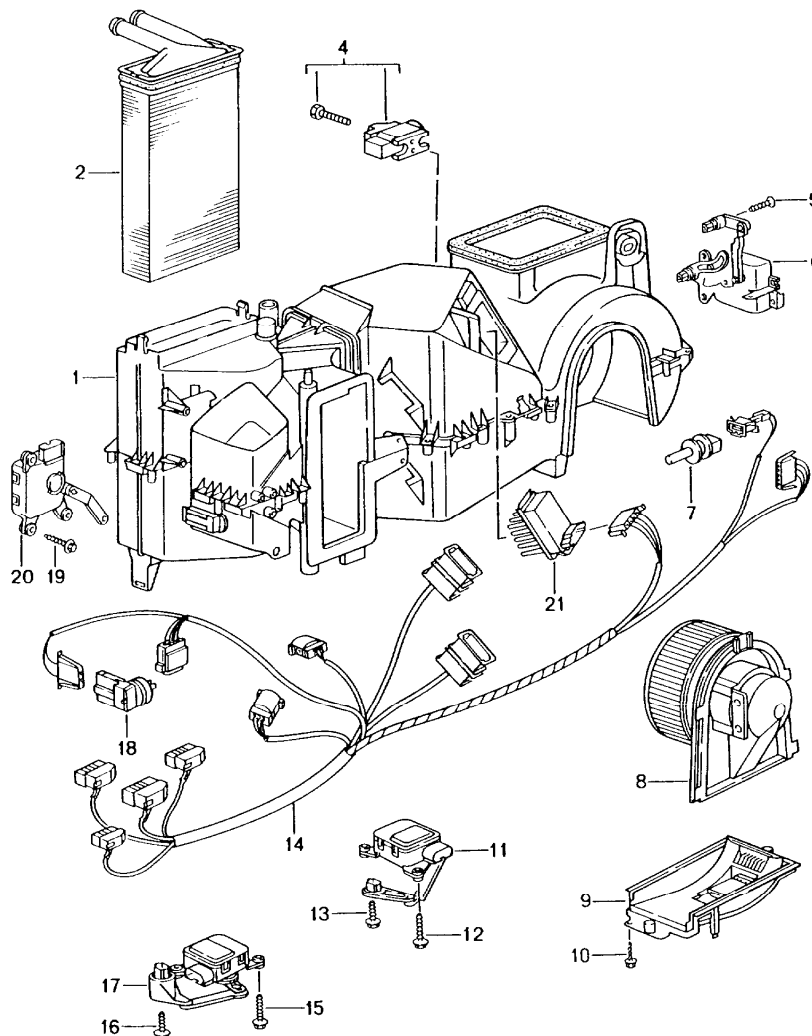
| Pos | Part Number | Description | Remark | Qty | Model |
|-----|----------------|--|--------|-----|-------|
| | | heating system 1 feed line return line | | | |
| 1 | 996 572 263 02 | gasket | /LL | 1 | |
| (1) | 996 572 263 01 | gasket | /RL | 1 | |
| (1) | 996 572 263 03 | gasket | /RL | 1 | |
| 2 | 999 512 346 01 | hose clamp | | 1 | |
| 3 | 996 572 585 00 | heater hose | | 1 | |
| (3) | 996 572 585 01 | heater hose | | 1 | |
| 4 | 996 572 583 00 | heater hose | | 1 | |
| (4) | 996 572 583 01 | heater hose | | 1 | |
| 5 | 999 512 656 09 | hose clamp | | 1 | |
| 6 | 996 572 765 02 | grommet | | 1 | |
| 7 | 996 572 683 05 | hot air duct | | 1 | |
| 8 | 996 572 681 04 | hot air duct supply | | 1 | |
| 9 | 999 511 230 40 | cable holder | | 4 | |
| -- | 999 511 232 41 | rubber mounting | | 4 | |

| | | | | | | | | | | | |
|-------|------|----|----|--------------|--------------|-----|-------|------------|---------|-----|---------|
| Model | Year | MG | SG | Illustration | Restrictions | UPD | 20:08 | 24.01.2010 | PORSCHE | PET | PORSCHE |
| 996T | 2005 | 8 | 13 | 813-01 | | 248 | | | | | |



| Pos | Part Number | Description | Remark | Qty | Model |
|-----|----------------|----------------------------|---------|-----|-------|
| | | heating air distributor | | | |
| 1 | 996 572 631 00 | defroster vent | /LL | 1 | |
| (1) | 996 572 631 01 | defroster vent | /RL | 1 | |
| 2 | 996 572 171 00 | air distributor | /LL -01 | 1 | |
| 2 | 996 572 171 04 | air distributor | /LL 02- | 1 | |
| 2 | 996 572 171 05 | air distributor | /LL 03- | 1 | |
| (2) | 996 572 171 01 | air distributor | /RL -01 | 1 | |
| (2) | 996 572 171 05 | air distributor | /RL 02- | 1 | |
| 3 | 996 572 793 02 | footwell outlet vent | /LL | 1 | |
| 3 | 996 572 793 04 | footwell outlet vent | /LL | 1 | M680 |
| (3) | 996 572 793 01 | footwell outlet vent | /RL -02 | 1 | |
| (3) | 996 572 793 05 | footwell outlet vent | /RL 03- | 1 | |
| (3) | 996 572 793 06 | footwell outlet vent | /RL 03- | 1 | M680 |
| 4 | 996 572 464 02 | air duct | /LL /R | 1 | |
| 4 | 996 572 464 00 | air duct | /RL /R- | 1 | |
| 5 | 996 572 463 00 | air duct | /LL /L | 1 | |
| 5 | 996 572 463 02 | air duct | /RL /L | 1 | |
| 6 | 996 572 767 00 | air duct | /LL /L | 1 | |
| 6 | 996 572 767 01 | air duct | /RL /L | 1 | |
| 7 | 996 572 768 00 | air duct | /RL /R | 1 | |
| (7) | 996 572 768 01 | air duct | /LL /R | 1 | |

| | | | | | | | | | | | |
|-------|------|----|----|--------------|--------------|-----|-------|------------|---------|-----|---------|
| Model | Year | MG | SG | Illustration | Restrictions | UPD | 20:08 | 24.01.2010 | PORSCHE | PET | PORSCHE |
| 996T | 2005 | 8 | 13 | 813-05 | | 248 | | | | | |



| Pos | Part Number | Description | Remark | Qty | Model |
|------|----------------|--|--------|-----|-------|
| | | air conditioner single parts | | | M573 |
| 1 | 996 573 901 02 | air conditioner | /LL | 1 | |
| 1 | 996 573 901 01 | air conditioner without heat exchanger with evaporator | /RL | 1 | |
| 2 | 996 572 129 00 | heat exchanger | | 1 | |
| 3 | --- | hexagon-head bolt | | 2 | |
| 4 | 996 573 929 01 | expansion valve | | 1 | |
| 5 | 900 143 102 02 | tapping screw | | 2 | |
| 6 | 996 573 915 00 | electric motor central valve | /LL | 1 | |
| 6 | 996 573 915 01 | electric motor central valve | /RL | 1 | |
| 7 | 1J0 907 543 B | temperature sensor | | 1 | |
| 8 | 996 624 107 01 | blower | /LL | 1 | |
| 8 | 996 624 108 01 | blower | /RL | 1 | |
| 9 | 996 573 905 00 | lid | | 1 | |
| 10 | 900 143 102 02 | hexagon-head bolt | | 1 | |
| 11 | 996 573 919 00 | electric motor temperature valve | /LL | 1 | |
| (11) | 996 573 919 01 | electric motor temperature valve | /RL | 1 | |
| 12 | 900 143 102 02 | hexagon-head bolt | | 1 | |
| 13 | 900 143 102 02 | hexagon-head bolt | | 1 | |
| 14 | 996 622 047 00 | wiring harness | /LL | 1 | TURBO |
| (14) | 996 622 048 00 | wiring harness | /RL | 1 | TURBO |
| 15 | 900 143 102 02 | hexagon-head bolt | | 1 | |
| 16 | 900 143 102 02 | hexagon-head bolt | | 1 | |
| 17 | 996 573 917 00 | electric motor defroster flap | /LL | 1 | |

| | | | | | | | | | | | |
|-------|------|----|----|--------------|--------------|-----|-------|------------|---------|-----|---------|
| Model | Year | MG | SG | Illustration | Restrictions | UPD | 20:08 | 24.01.2010 | PORSCHE | PET | PORSCHE |
| 996T | 2005 | 8 | 13 | 813-05 | | 248 | | | | | |

| Pos | Part Number | Description | Remark | Qty | Model | Pos | Part Number | Description | Remark | Qty | Model |
|------|----------------|---|--------|-----|-------|-----|-------------|-------------|--------|-----|-------|
| (17) | 996 573 917 01 | electric motor defroster flap | /RL | 1 | | | | | | | |
| 18 | 1H0 907 543 A | temperature sensor | | 1 | | | | | | | |
| 19 | 900 143 102 02 | hexagon-head bolt | | 1 | | | | | | | |
| 20 | 996 573 921 00 | electric motor air flow sensor plate | /LL | 1 | | | | | | | |
| 20 | 996 573 921 01 | electric motor air flow sensor plate | /RL | 1 | | | | | | | |
| 21 | 996 573 923 00 | resistor | | 1 | | | | | | | |
| -- | 996 573 925 00 | intake air temper. sensor | | 1 | | | | | | | |
| -- | 996 573 927 00 | blower outlet sensor | | 1 | | | | | | | |
| -- | 996 572 511 02 | sound absorber | /LL | -02 | 1 | | | | | | |
| -- | 996 572 511 04 | sound absorber | /LL | 03- | 1 | | | | | | |
| -- | 996 572 511 03 | sound absorber | /RL | -02 | 1 | | | | | | |
| -- | 996 572 511 05 | sound absorber | /RL | 03- | 1 | | | | | | |

PORSCHE

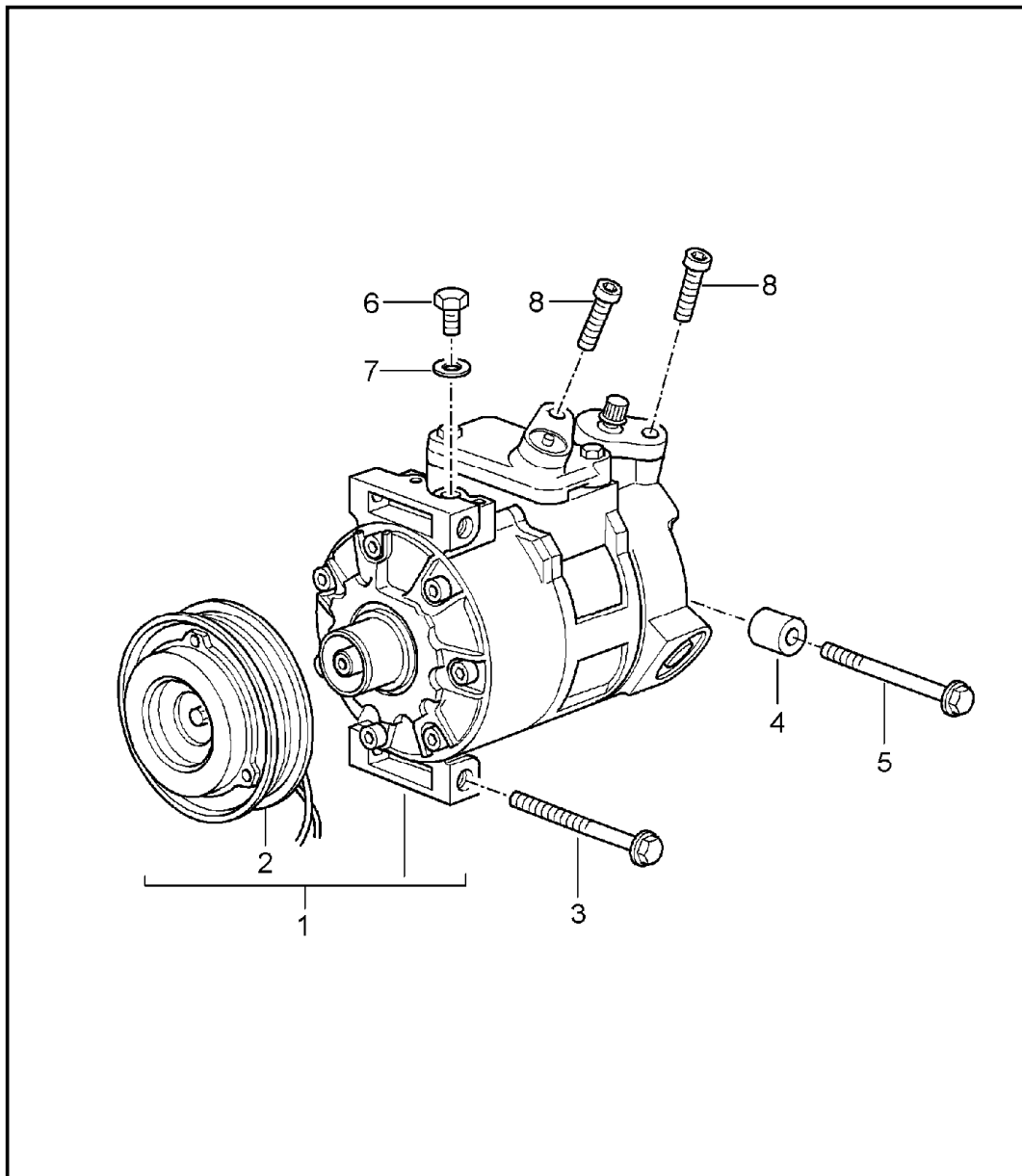
PET

PORSCHE

| | | | | | | | | |
|-------|------|----|----|--------------|--------------|-----|-------|------------|
| Model | Year | MG | SG | Illustration | Restrictions | UPD | 20:08 | 24.01.2010 |
| 996T | 2005 | 8 | 13 | 813-10 | | 248 | | |

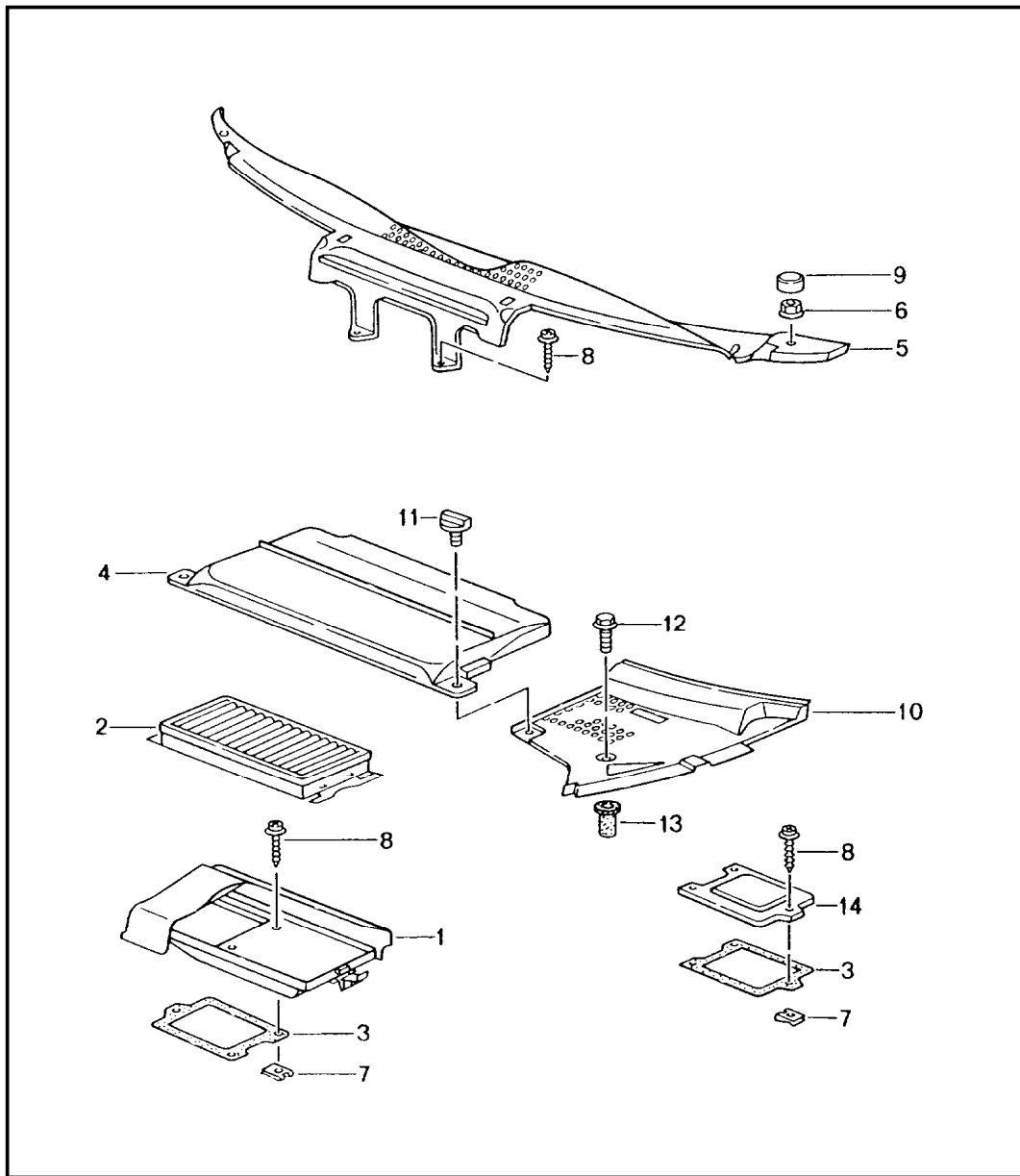
| Pos | Part Number | Description | Remark | Qty | Model |
|-----|----------------|--|--------|-----|-------|
| | | water drain tube mount sound absorber heater air conditioner | | | |
| 1 | 996 504 643 00 | water drain tube | | 1 | |
| 2 | 996 504 644 00 | water drain tube | | 1 | |
| 3 | 996 504 645 00 | grommet | | 1 | |
| 4 | 996 504 646 00 | grommet | | 1 | |
| 5 | 999 513 049 40 | tie-wrap | | 1 | |
| 6 | 999 702 156 40 | grommet | | 1 | |
| -- | 996 573 797 02 | connecting piece | | 1 | |
| -- | 996 573 795 01 | grommet | | 1 | |
| -- | 996 573 793 01 | water drain tube | | 1 | |
| -- | 996 573 794 01 | water drain tube | | 1 | |
| -- | 996 504 649 00 | grommet | | 2 | |

| | | | | | | | | | | | |
|-------|------|----|----|--------------|--------------|-----|-------|------------|---------|-----|---------|
| Model | Year | MG | SG | Illustration | Restrictions | UPD | 20:09 | 24.01.2010 | PORSCHE | PET | PORSCHE |
| 996T | 2005 | 8 | 13 | 813-15 | | 248 | | | | | |



| Pos | Part Number | Description | Remark | Qty | Model |
|-----|------------------|------------------------------|--------|-----|-------|
| | | compressor | | | |
| 1 | > 996 126 011 52 | compressor | | 1 | |
| 2 | 996 573 926 00 | magnetic clutch | | 1 | |
| 3 | 900 378 075 09 | hexagon-head bolt M 8X90 | | 1 | |
| 4 | 996 126 102 71 | spacer sleeve | | 1 | |
| 5 | 900 378 136 09 | hexagon-head bolt M 8X120 | | 1 | |
| 6 | 996 573 926 01 | hexagon-head bolt | | 1 | |
| 7 | 996 573 926 02 | sealing ring | | 1 | |
| 8 | 900 067 252 02 | hexagon socket head bolt | | 2 | |

| | | | | | | | | | | | |
|-------|------|----|----|--------------|--------------|-----|-------|------------|---------|-----|---------|
| Model | Year | MG | SG | Illustration | Restrictions | UPD | 20:09 | 24.01.2010 | PORSCHE | PET | PORSCHE |
| 996T | 2005 | 8 | 13 | 813-20 | | 248 | | | | | |

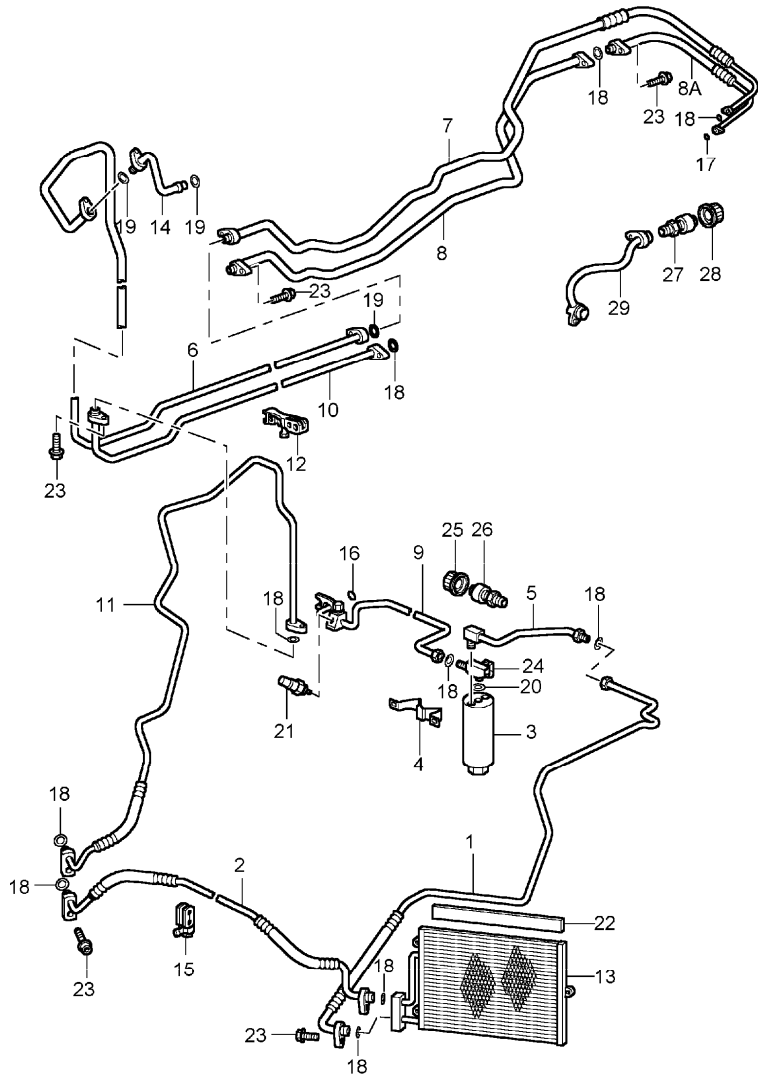


| Pos | Part Number | Description | Remark | Qty | Model |
|-----|----------------|--|--------|-----|-------|
| | | particle filter cowl panel covering | | | |
| 1 | 996 572 019 02 | housing | /LL | 1 | |
| 1 | 996 572 019 03 | housing | /RL | 1 | |
| 2 | 996 572 219 02 | particle filter | | 1 | |
| 2 | 996 571 219 03 | particle filter | | 1 | M571 |
| 3 | 996 572 221 01 | gasket | | 1 | |
| 4 | 996 572 567 01 | cover | | 1 | |
| | 01C | black battery | | | |
| (4) | 996 572 729 00 | cover particle filter | /LL | 1 | |
| (4) | 996 572 729 02 | cover particle filter | /RL | 1 | |
| 5 | 996 572 563 06 | cowl panel covering | /LL | 1 | |
| | 01C | black | | | |
| | | use also: | | | |
| - | 996 572 931 00 | gasket | | 1 | |
| 5 | 996 572 563 07 | cowl panel covering | /RL | 1 | |
| | 01C | black | | | |
| | | use also: | | | |
| - | 996 572 931 00 | gasket | | 1 | |
| 6 | 999 049 008 40 | plastic nut | | 2 | |
| 7 | 999 591 722 02 | speed nut | | 3 | |
| 8 | 999 073 142 09 | combination tapping screw | | 3 | |
| (9) | 996 572 569 01 | cap | /L | 1 | |
| | 01C | black | | | |
| (9) | 996 572 570 01 | cap | /R | 1 | |
| | 01C | black | | | |
| 10 | 996 572 561 02 | cover | /L | 1 | |
| | 01C | black | | | |

| | | | | | | | | | | | |
|-------|------|----|----|--------------|--------------|-----|-------|------------|---------|-----|---------|
| Model | Year | MG | SG | Illustration | Restrictions | UPD | 20:09 | 24.01.2010 | PORSCHE | PET | PORSCHE |
| 996T | 2005 | 8 | 13 | 813-20 | | 248 | | | | | |

| Pos | Part Number | Description | Remark | Qty | Model | Pos | Part Number | Description | Remark | Qty | Model |
|------|----------------|-----------------|--------|-----|-------|-----|-------------|-------------|--------|-----|-------|
| (10) | 996 572 562 02 | cover | /R | 1 | | | | | | | |
| | 01C | black | | | | | | | | | |
| 11 | 999 590 045 40 | screw plug | | X | | | | | | | |
| 12 | 999 073 143 09 | oval-head screw | | 2 | | | | | | | |
| 13 | 999 500 092 00 | nut | | 2 | | | | | | | |
| 14 | 996 572 719 01 | lid | -03 | 2 | | | | | | | |
| 14 | 996 572 719 02 | lid | 04- | 2 | | | | | | | |

| | | | | | | | | | | | |
|-------|------|----|----|--------------|--------------|-----|-------|------------|---------|-----|---------|
| Model | Year | MG | SG | Illustration | Restrictions | UPD | 20:09 | 24.01.2010 | PORSCHE | PET | PORSCHE |
| 996T | 2005 | 8 | 13 | 813-25 | | 248 | | | | | |

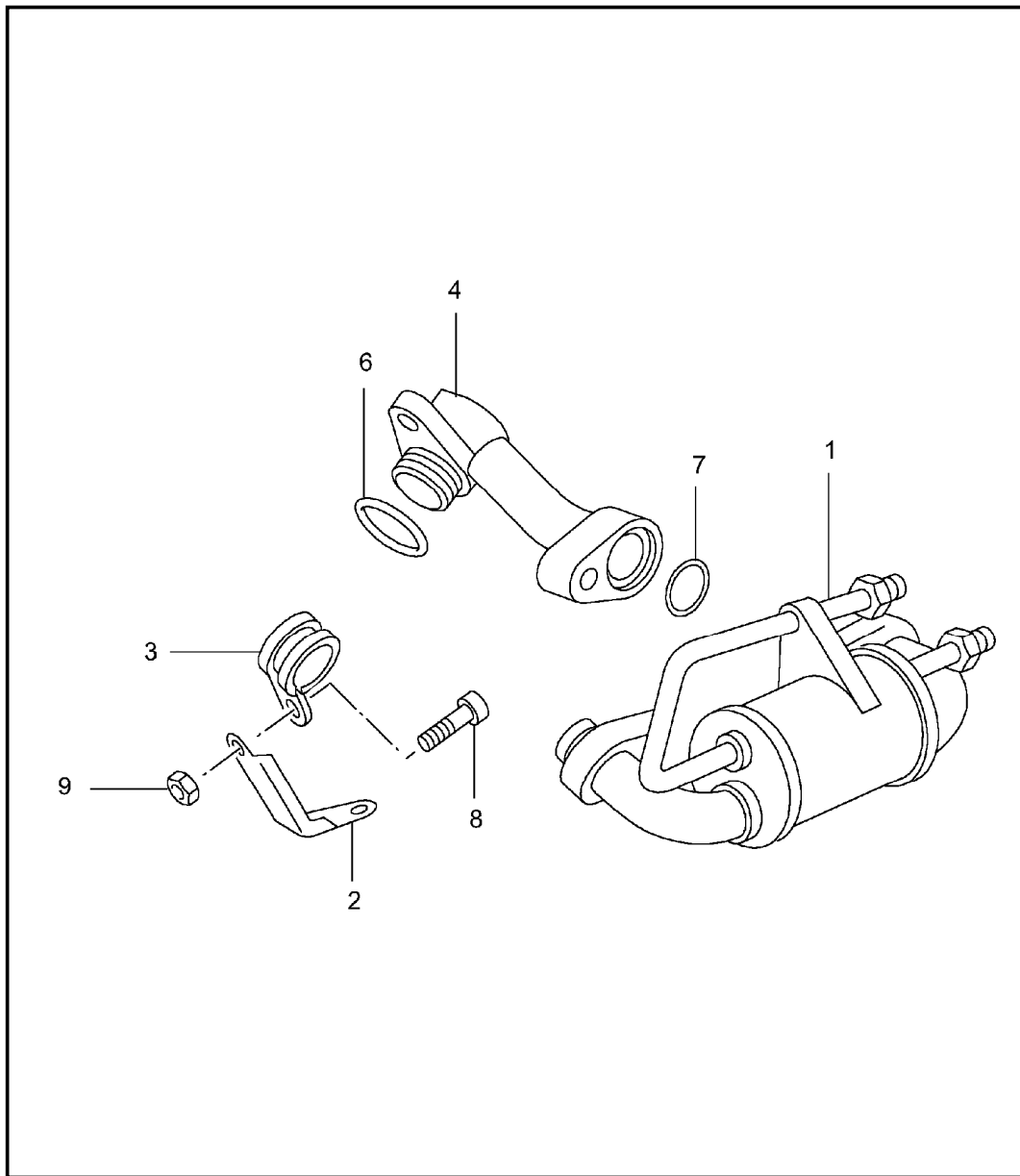


| Pos | Part Number | Description | Remark | Qty | Model |
|-----|----------------|----------------------|--------|-----|-------|
| | | refrigerant circuit | | | |
| 1 | 996 573 105 04 | refrigerant line | | 1 | |
| 2 | 996 573 104 03 | refrigerant line | | 1 | |
| 3 | 944 573 143 01 | desiccator | | 1 | |
| 4 | 996 573 451 00 | support | | 1 | |
| 5 | 996 573 106 00 | refrigerant line | | 1 | |
| 6 | 996 573 091 01 | refrigerant line | | 1 | |
| 7 | 996 573 095 04 | refrigerant line | | 1 | |
| 8 | 996 573 096 03 | refrigerant line | | 1 | |
| 8A | 996 573 097 03 | refrigerant line | | 1 | |
| 9 | 996 573 108 01 | pressure line | /RL | 1 | |
| (9) | 996 573 108 03 | pressure line | /LL | 1 | |
| 10 | 996 573 092 01 | pressure line | | 1 | |
| 11 | 996 573 094 03 | refrigerant line | | 1 | |
| 12 | 996 347 543 00 | cable holder | | 2 | |
| 13 | 996 573 111 02 | condenser | | 2 | |
| 14 | 996 573 093 02 | intake pipe | /LL | 1 | |
| 14 | 996 573 093 03 | intake pipe | /RL | 1 | |
| 15 | 996 347 543 00 | cable holder | | 2 | |
| 16 | 999 707 247 40 | o-ring 7, 5X2 | | 2 | |
| 17 | 999 707 382 40 | o-ring 23, 8X2, 4 | | 8 | |
| 18 | 999 707 250 40 | o-ring 10, 6X2 | | 8 | |
| 19 | 999 707 252 40 | o-ring 17X2 | | 3 | |
| 20 | 999 707 262 40 | o-ring 6, 7X1, 8 | | X | |
| 21 | 964 613 137 01 | pressure switch | | 1 | |
| 22 | 996 573 711 00 | cover strip | | 2 | |

| | | | | | | | | | | | |
|-------|------|----|----|--------------|--------------|-----|-------|------------|---------|-----|---------|
| Model | Year | MG | SG | Illustration | Restrictions | UPD | 20:09 | 24.01.2010 | PORSCHE | PET | PORSCHE |
| 996T | 2005 | 8 | 13 | 813-25 | | 248 | | | | | |

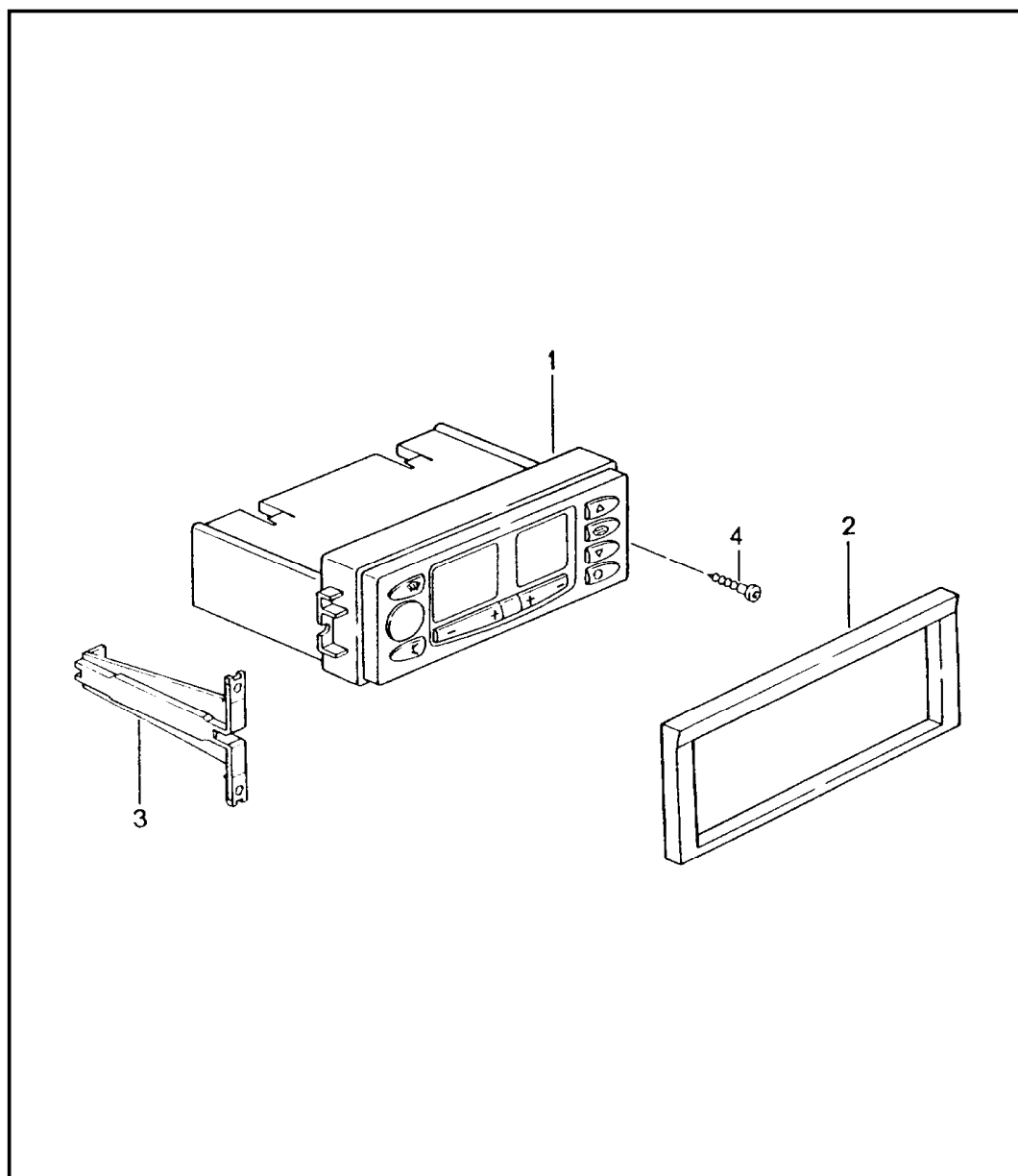
| Pos | Part Number | Description | Remark | Qty | Model | Pos | Part Number | Description | Remark | Qty | Model |
|------|----------------|--------------------|--------|-----|-------|-----|-------------|-------------|--------|-----|-------|
| (22) | 996 573 711 01 | frame | | 2 | | | | | | | |
| 23 | 900 067 247 02 | combination screw | | X | | | | | | | |
| 24 | 993 573 243 00 | distributing piece | | 1 | | | | | | | |
| 25 | 944 573 663 02 | valve cap | | 1 | | | | | | | |
| 26 | 996 573 466 00 | valve | | 1 | | | | | | | |
| 27 | 996 573 465 00 | valve | | 1 | | | | | | | |
| 28 | 944 573 663 01 | valve cap | | 1 | | | | | | | |
| 29 | 996 573 099 06 | intake pipe | | 1 | | | | | | | |

| | | | | | | | | | | | |
|-------|------|----|----|--------------|--------------|-----|-------|------------|---------|-----|---------|
| Model | Year | MG | SG | Illustration | Restrictions | UPD | 20:09 | 24.01.2010 | PORSCHE | PET | PORSCHE |
| 996T | 2005 | 8 | 13 | 813-26 | | 248 | | | | | |



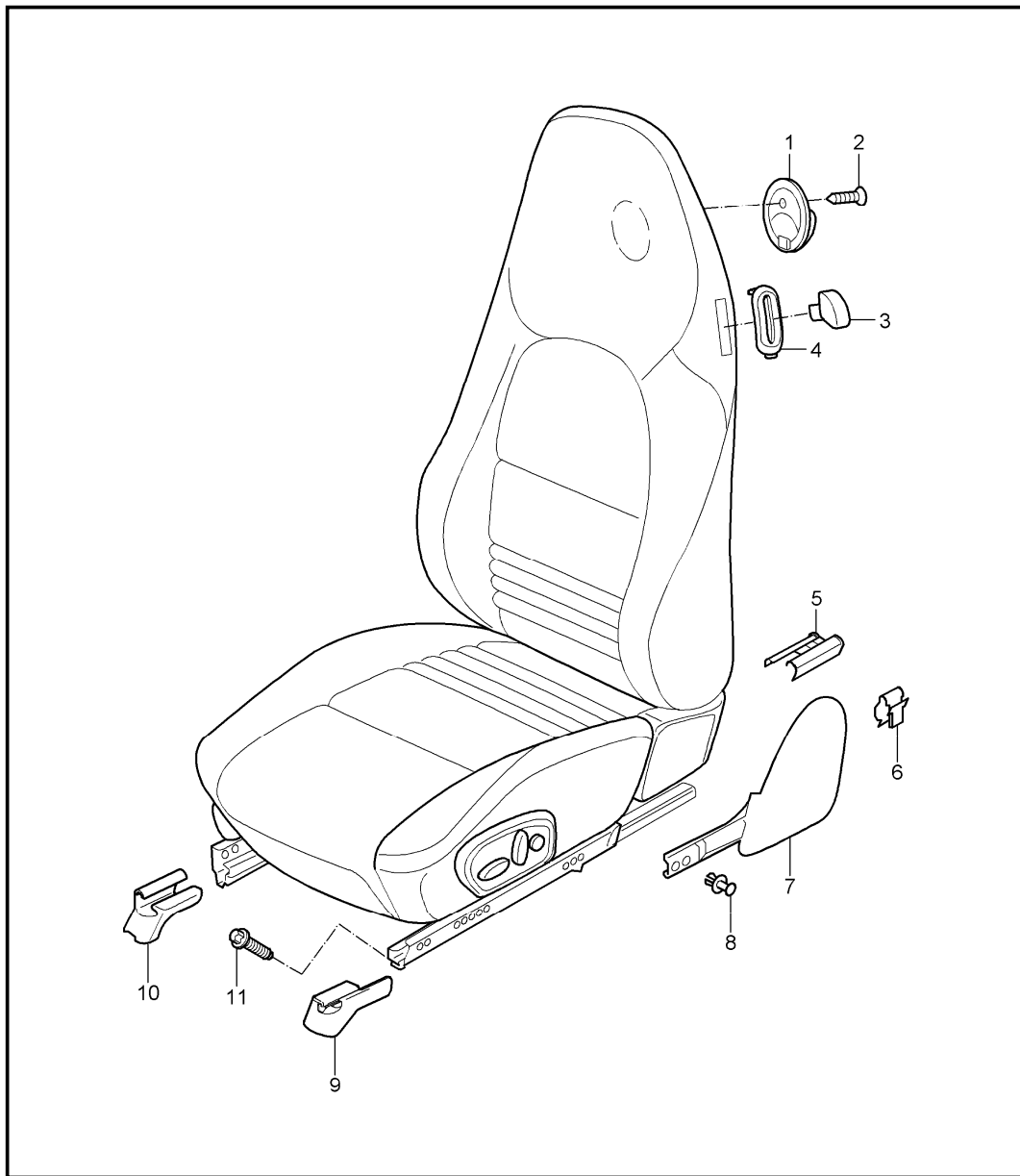
| Pos | Part Number | Description | Remark | Qty | Model |
|-----|----------------|----------------|--------|-----|-------|
| | | fuel cooler | | | |
| 1 | 996 573 069 02 | fuel cooler | | 1 | |
| 2 | 996 573 231 00 | support | | 1 | |
| 3 | 999 511 066 02 | clip | | 1 | |
| 4 | 996 573 099 03 | intake pipe | | 1 | |
| 5 | 996 573 107 00 | intake pipe | | 1 | |
| 6 | 999 707 382 40 | o-ring | | X | |
| 7 | 999 707 252 40 | o-ring | | X | |
| 8 | 900 067 089 02 | pan-head screw | | 1 | |
| 9 | 900 076 010 02 | hexagon nut | | 1 | |

| | | | | | | | | | | | |
|-------|------|----|----|--------------|--------------|-----|-------|------------|---------|-----|---------|
| Model | Year | MG | SG | Illustration | Restrictions | UPD | 20:09 | 24.01.2010 | PORSCHE | PET | PORSCHE |
| 996T | 2005 | 8 | 13 | 813-45 | | 248 | | | | | |



| Pos | Part Number | Description | Remark | Qty | Model |
|-----|----------------|-------------------|--------|-----|----------|
| | | control switch | | | |
| 1 | 996 653 101 03 | control part | -01 | 1 | M573 |
| | EFR | black | | | |
| 1 A | 996 653 101 06 | control part | 02 | 1 | M573 |
| | EFR | black mat | | | |
| 1 | 996 653 101 09 | control part | 02 | 1 | M573 |
| | EFR | black mat | | | |
| 1 | 996 653 101 08 | control part | 02- | 1 | |
| | EFR | gloss black | | | |
| 1 | 996 653 101 10 | control part | 03- | 1 | M573 |
| | FFA | black mat | | | |
| 2 | 996 552 677 00 | cover | -01 | 1 | M573 |
| | 01C | black | | | |
| 2 | 996 552 677 01 | cover | 02- | 1 | |
| | 01C | black | | | |
| (2) | 996 552 339 00 | cover | | 1 | M573/662 |
| | 01C | black | | | |
| -- | 191 853 615 A | grommet for POS.4 | | X | |
| 3 | 996 573 501 00 | adapter | | 2 | |
| 4 | 900 143 076 09 | tapping screw | | X | |

| | | | | | | | | | | | |
|-------|------|----|----|--------------|--------------|-----|-------|------------|---------|-----|---------|
| Model | Year | MG | SG | Illustration | Restrictions | UPD | 20:09 | 24.01.2010 | PORSCHE | PET | PORSCHE |
| 996T | 2005 | 8 | 17 | 817-00 | | 248 | | | | | |

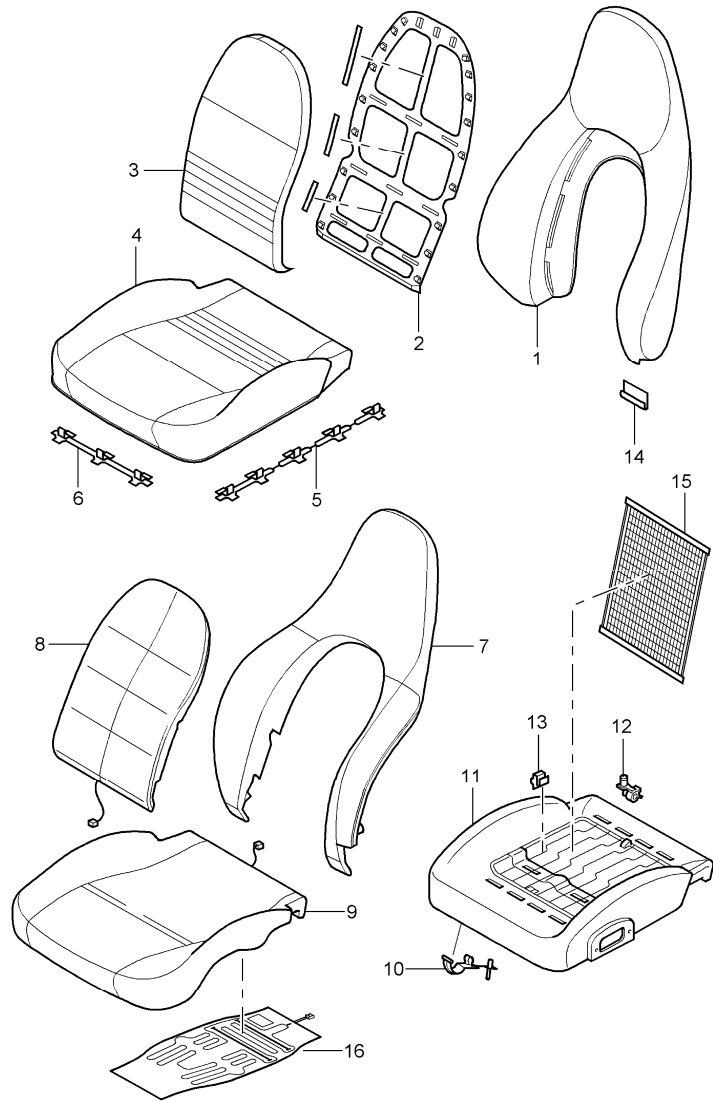


| Pos | Part Number | Description | Remark | Qty | Model |
|-----|----------------|---|--------|---------|-----------|
| | | front seat | | | TURBO/GT2 |
| | | front seat complete not available | | | |
| 1 | 996 521 373 00 | coat hook | /L/R | 2 | |
| | A03 | black | | | |
| 2 | 999 919 199 09 | countersunk-head screw coat hook M 5 X 25 | | 2 | |
| 3 | 996 521 421 00 | control button backrest | /L | 2 | |
| (3) | 996 521 422 00 | control button backrest | /R | 2 | |
| 4 | 996 521 323 02 | rosette | /L | 2 | M437/438 |
| (4) | 996 521 324 02 | rosette | /R | 2 | M437/438 |
| 6 | 999 507 592 01 | cable clamp cover 1,0 - 6,0 | | 2 | |
| 7 | 996 521 315 01 | cap | /L | 1 | M437 |
| | | cap | /L | -02 03- | M375/437 |
| | D05 | granite grey | | | |
| | A03 | black | | | |
| | C53 | graphite grey | | | |
| | S33 | savanna | | | |
| | G13 | metropole blue | | | |
| | J33 | nephrite green | | | |
| | M33 | boxster red | | | |
| (7) | 996 521 316 01 | cap | /R | -02 | 1 M438 |
| | D05 | granite grey | | | |
| | A03 | black | | | |
| | C53 | graphite grey | | | |
| | S33 | savanna | | | |
| | G13 | metropole blue | | | |

| | | | | | | | | | | | |
|-------|------|----|----|--------------|--------------|-----|-------|------------|---------|-----|---------|
| Model | Year | MG | SG | Illustration | Restrictions | UPD | 20:09 | 24.01.2010 | PORSCHE | PET | PORSCHE |
| 996T | 2005 | 8 | 17 | 817-00 | | 248 | | | | | |

| Pos | Part Number | Description | Remark | Qty | Model | Pos | Part Number | Description | Remark | Qty | Model |
|------|----------------|-----------------------------|--------|-----|-----------|-----|-------------|-------------|--------|-----|-------|
| | J33 | nephrite green | | | | | | | | | |
| | M33 | boxster red | | | | | | | | | |
| (7) | 996 521 316 01 | cap | /R 03- | 1 | M376/438 | | | | | | |
| | D05 | granite grey | | | | | | | | | |
| | A03 | black | | | | | | | | | |
| | C53 | graphite grey | | | | | | | | | |
| | S33 | savanna | | | | | | | | | |
| | G13 | metropole blue | | | | | | | | | |
| | J33 | nephrite green | | | | | | | | | |
| | M33 | boxster red | | | | | | | | | |
| 8 | 999 507 599 40 | expansion rivet 10,0 | | 2 | | | | | | | |
| 9 | 996 521 359 01 | cover seat rail front | /L | 1 | IXSE/M375 | | | | | | |
| | 01C | satin black | | | | | | | | | |
| (9) | 996 521 361 01 | cover seat rail front | /L | 1 | IXSF/M376 | | | | | | |
| | 01C | satin black | | | | | | | | | |
| (9) | 996 521 363 01 | cover seat rail front | /L | 1 | M437/438 | | | | | | |
| | 01C | satin black | | | | | | | | | |
| 10 | 996 521 360 01 | cover | /R | 1 | IXSF/M376 | | | | | | |
| | 01C | satin black | | | | | | | | | |
| (10) | 996 521 362 01 | cover | /R | 1 | IXSE/M375 | | | | | | |
| | 01C | satin black | | | | | | | | | |
| (10) | 996 521 364 01 | cover seat rail front | /R | 1 | M437/438 | | | | | | |
| | 01C | satin black | | | | | | | | | |
| 11 | 999 141 039 07 | screw M 10 X 28 | | 8 | | | | | | | |

| | | | | | | | | | | | |
|-------|------|----|----|--------------|--------------|-----|-------|------------|---------|-----|---------|
| Model | Year | MG | SG | Illustration | Restrictions | UPD | 20:10 | 24.01.2010 | PORSCHE | PET | PORSCHE |
| 996T | 2005 | 8 | 17 | 817-05 | | 248 | | | | | |



| Pos | Part Number | Description | Remark | Qty | Model |
|-----|----------------|---|--------|-----|--------------------------------|
| | | cover foam part comfort seat standard seat | | | TURBO/GT2 |
| 1 | 996 521 141 02 | backrest cover outer part leather | /L/R | -01 | 1 M437/438 M982/983 |
| | EEF | graphite grey | | | |
| | EFF | metropole blue | | | |
| | EGF | savanna | | | |
| | ELA | nephrite green | | | |
| | ENA | boxster red | | | |
| (1) | 996 521 141 04 | cover backrest outer | /L/R | 02- | 1 IXSU M437/438 M982/983 |
| | ERZ | black | | | |
| | EEF | graphite grey | | | |
| | EGF | savanna | | | |
| | EFF | metropole blue | | | |
| | ELA | nephrite green | | | |
| | ENA | boxster red | | | |
| | FEH | cinnamon brown | | | |
| | VRA | dark grey/natural | | | |
| | VRB | brown/natural | | | |
| (1) | 996 521 141 06 | cover backrest outer part | /L/R | 01- | 1 M437/438 M982/983 |
| | ERZ | black | | | |
| | EEF | graphite grey | | | |
| | EGF | savanna | | | |
| | EFF | metropole blue | | | |
| | ELA | nephrite green | | | |
| | ENA | boxster red | | | |

| | | | | | | | | | | | |
|-------|------|----|----|--------------|--------------|-----|-------|------------|---------|-----|---------|
| Model | Year | MG | SG | Illustration | Restrictions | UPD | 20:10 | 24.01.2010 | PORSCHE | PET | PORSCHE |
| 996T | 2005 | 8 | 17 | 817-05 | | 248 | | | | | |

| Pos | Part Number | Description | Remark | Qty | Model | Pos | Part Number | Description | Remark | Qty | Model | | |
|-----|----------------|---|-------------------------|------|-------|------------------------------|--|---|---------------------------|-----|-----------------------|---|-----------------------|
| (1) | FEH | cinnamon brown | | | | (3) | 996 521 151 06 | backrest cushion cover centre part draped leather not for lowering foam part | 01- | 1 | M437/438 M982 | | |
| | VRA | dark grey/natural | | | | | ETO | black | | | | | |
| | VRB | brown/natural | | | | | C50 | graphite grey | | | | | |
| | 996 521 993 01 | backrest cover outer part with porsche crest leather | /L/R | | 1 | | IXSC M437/438 M982/983 | S30 | savanna | | | | |
| | C50 | graphite grey | | | | | G10 | metropole blue | | | | | |
| | G10 | metropole blue | | | | | J30 | nephrite green | | | | | |
| | S30 | savanna | | | | | M30 | boxster red | | | | | |
| | J30 | nephrite green | | | | | P11 | cinnamon brown | | | | | |
| | M30 | boxster red | | | | | D11 | dark grey/natural | | | | | |
| | T11 | brown/natural | | | | | T11 | brown/natural | | | | | |
| | D11 | dark grey/natural | | | | | (3) | 996 521 151 07 | cover backrest cushion | | | 1 | IXSU/M983 M375/376 |
| | P11 | cinnamon brown | | | | | | ETO | black | | | | |
| | (2) | 996 521 551 01 | frame backrest cover | /L/R | 01- | | | 1 | M375/376 M437/438 | C50 | graphite grey | | |
| 3 | 996 521 151 05 | backrest cushion cover leather not for lowering foam part | /L/R | 01- | 1 | M375/376 M437/438 M983 | | S30 | savanna | | | | |
| ETO | black | | | | G10 | metropole blue | | | | | | | |
| C50 | graphite grey | | | | J30 | nephrite green | | | | | | | |
| S30 | savanna | | | | M30 | boxster red | | | | | | | |
| J30 | nephrite green | | | | P11 | cinnamon brown | | | | | | | |
| M30 | boxster red | | | | D11 | dark grey/natural | | | | | | | |
| G10 | metropole blue | | | | T11 | brown/natural | | | | | | | |
| P11 | cinnamon brown | | | | (3) | 996 521 151 08 | cover backrest draped leather centre part with lowering | | | 1 | IXSU/M982 M437/438 | | |
| D11 | dark grey | | | | | ETO | black | | | | | | |
| T11 | brown/natural | | | | | C50 | graphite grey | | | | | | |

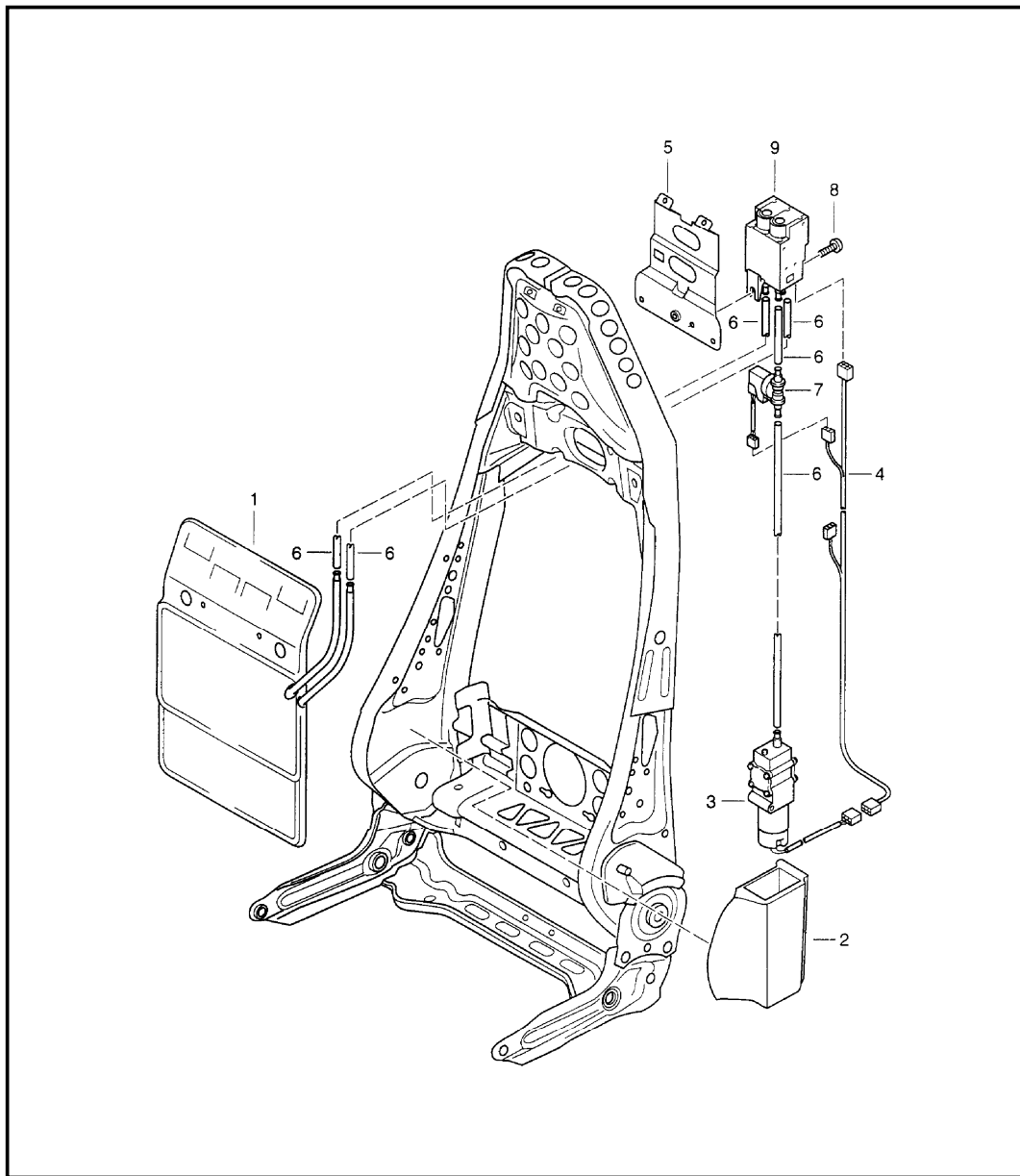
| | | | | | | | | | | | |
|-------|------|----|----|--------------|--------------|-----|-------|------------|---------|-----|---------|
| Model | Year | MG | SG | Illustration | Restrictions | UPD | 20:10 | 24.01.2010 | PORSCHE | PET | PORSCHE |
| 996T | 2005 | 8 | 17 | 817-05 | | 248 | | | | | |

| Pos | Part Number | Description | Remark | Qty | Model | Pos | Part Number | Description | Remark | Qty | Model |
|-----|----------------|--|--------|-----|-----------------------|-----|----------------|---|--------|-----|-----------------------|
| | S30 | savanna | | | | | ENA | boxster red | | | |
| | G10 | metropole blue | | | | | FEH | cinnamon brown | | | |
| | J30 | nephrite green | | | | | VRA | dark grey/natural | | | |
| | M30 | boxster red | | | | | VRB | brown/natural | | | |
| | P11 | cinnamon brown | | | | (4) | 996 521 161 10 | cover seat cushion with lowering | | 1 | IXSU/M982 M437/438 |
| | D11 | dark grey/natural | | | | | ERZ | black | 03- | | |
| (3) | 996 521 151 09 | cover centre part | | 1 | M375/376 M437/438 | | EEF | graphite grey | | | |
| | D13 | dark grey/natural special model forty fast years | | | | | EGF | savanna | | | |
| (4) | 996 521 161 06 | cover seat cushion leather | 01- | 1 | M437/438 M983 | | EGF | metropole blue | | | |
| | ERZ | black | 00- | | | | ELA | nephrite green | | | |
| | EEF | graphite grey | | | | | ENA | boxster red | | | |
| | EFF | metropole blue | | | | | FEH | cinnamon brown | | | |
| | EGF | savanna | | | | (4) | 996 521 161 11 | cover seat cushion special model | | 2 | M437/438 M971/983 |
| | ELA | nephrite green | | | | | VRB | brown/natural | | | |
| | ENA | boxster red | | | | | VSY | dark grey/natural 40 JAHRE PORSCHE | | | |
| | VRA | dark grey | 00- | | | (4) | 996 521 161 07 | cover draped leather | 01- | 2 | M437/438 M982 |
| | VRB | brown/natural | 00- | | | | ERZ | black | 00- | | |
| (4) | 996 521 161 09 | cover seat cushion with lowering | | 1 | IXSU/M983 M437/438 | | EEF | graphite grey | | | |
| | ERZ | black | 03- | | | | FEH | cinnamon brown | 01- | | |
| | EEF | graphite grey | | | | | EFF | metropole blue | | | |
| | EGF | savanna | | | | | EGF | savanna | | | |
| | EFF | metropole blue | | | | | ELA | nephrite green | | | |
| | ELA | nephrite green | | | | | ENA | boxster red | | | |
| | | | | | | | VRA | dark grey | 00- | | |

| | | | | | | | | | | | |
|-------|------|----|----|--------------|--------------|-----|-------|------------|---------|-----|---------|
| Model | Year | MG | SG | Illustration | Restrictions | UPD | 20:10 | 24.01.2010 | PORSCHE | PET | PORSCHE |
| 996T | 2005 | 8 | 17 | 817-05 | | 248 | | | | | |

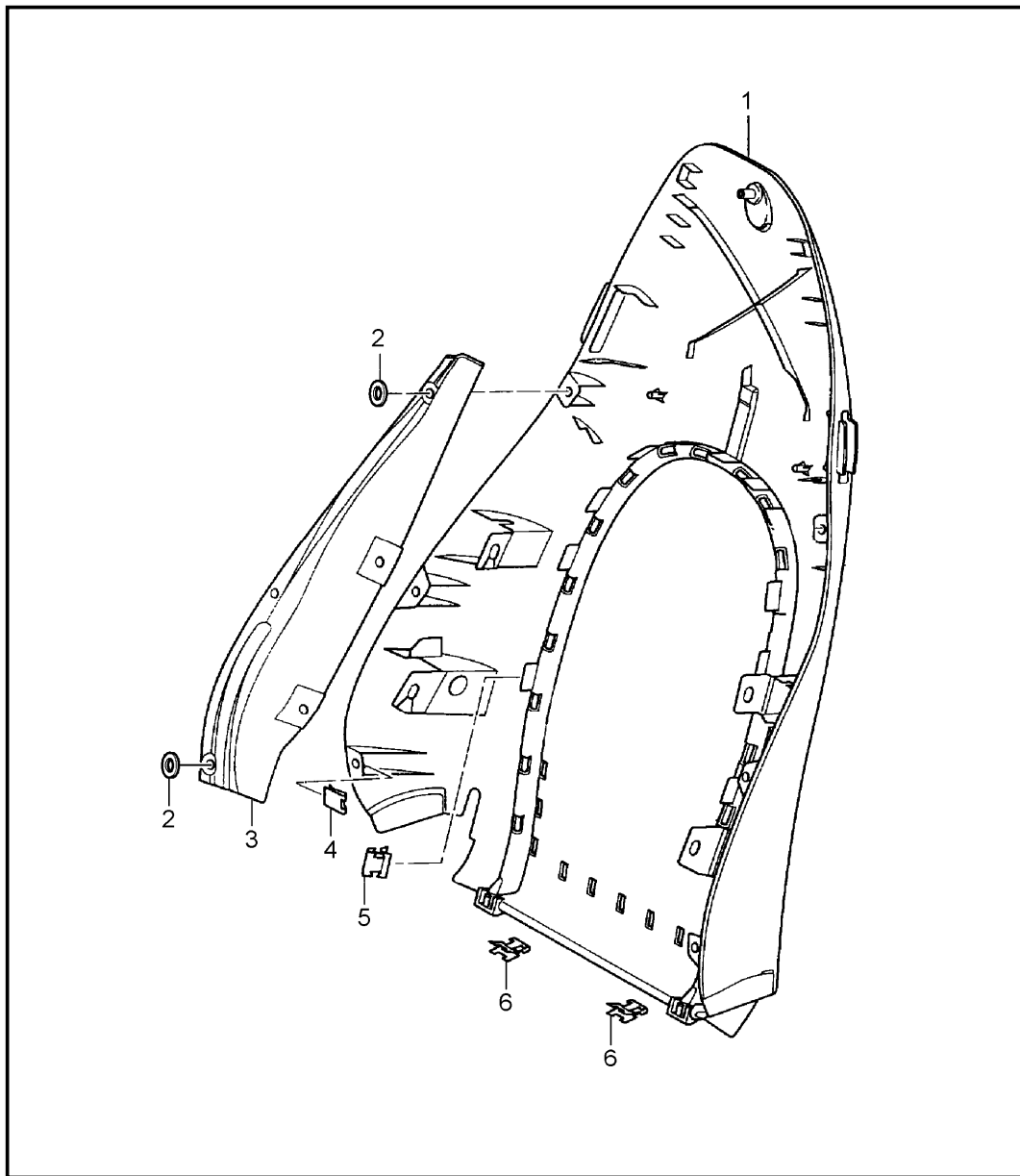
| Pos | Part Number | Description | Remark | Qty | Model | Pos | Part Number | Description | Remark | Qty | Model |
|-------|----------------|---|--------|-----|-----------------------|------|----------------|--|--------|-----|------------------|
| | VRB | brown/natural | 00- | | | 14 | 996 521 515 00 | catch backrest cover | | 4 | |
| 7 | 996 521 535 04 | foam part backrest frame | | 2 | M437/438 | 15 | 996 521 507 01 | mat seat cushion cushion carrier | | 1 | |
| (7) | 996 521 535 06 | foam part backrest outer part | 02- | 2 | IXSU M437/438 | 16 | 996 653 105 01 | heating element | | 1 | M139/340 M342 |
| (8) | 996 521 531 00 | foam part backrest cushion without heating | | 2 | M375/376 M437/438 | (16) | 996 653 105 02 | heating element seat surface | | 1 | IXSU/M342 |
| 8 | 996 521 531 01 | foam part backrest cushion with heating | | 2 | M139 M340/342 | | | | | | |
| (8) A | 996 521 539 00 | foam part backrest with heating | | 2 | IXSU/M340 | | | | | | |
| (8) | 996 521 537 00 | foam part backrest cushion without heating | | 2 | IXSU | | | | | | |
| (8) | 996 521 539 00 | foam part backrest cushion with heating with lowering | | 2 | IXSU/M342 | | | | | | |
| (9) | 996 521 571 00 | foam part seat cushion | 01- | 2 | M437/438 | | | | | | |
| (9) | 996 521 523 00 | foam part seat cushion without heating | | 2 | IXSU M437/438 | | | | | | |
| (9) | 996 521 525 00 | foam part seat cushion with heating | | 2 | IXSU/M342 M437/438 | | | | | | |
| 10 | 996 521 597 00 | clip cushion carrier | | 8 | | | | | | | |
| (10) | 996 521 937 00 | clip cushion carrier | 01- | 10 | | | | | | | |
| 11 | 996 521 505 00 | cushion carrier seat cushion front seat | 01- | 2 | | | | | | | |
| 12 | 999 507 506 40 | cable holder 5,0 | | 1 | | | | | | | |
| 13 | 999 651 314 01 | cable clamp 3,0 - 4,0 | | 8 | | | | | | | |

| | | | | | | | | | | | |
|-------|------|----|----|--------------|--------------|-----|-------|------------|---------|-----|---------|
| Model | Year | MG | SG | Illustration | Restrictions | UPD | 20:10 | 24.01.2010 | PORSCHE | PET | PORSCHE |
| 996T | 2005 | 8 | 17 | 817-07 | | 248 | | | | | |



| Pos | Part Number | Description | Remark | Qty | Model |
|-----|----------------|---|--------|-----|----------------------|
| | | lumbar support | | | TURBO/GT2 |
| 1 | 996 521 709 00 | lumbar support complete | | 2 | M437/438 M513/586 |
| 2 | 996 521 719 00 | sound absorber compressor | | 2 | M437/438 M513/586 |
| 3 | 996 620 725 00 | compressor | | 2 | M513/586 |
| 4 | 996 612 541 00 | wiring harness seating position control lumbar support adjustment | | 2 | M513/586 |
| (4) | 996 612 542 00 | wiring harness seating position control lumbar support adjustment | | 2 | M513/586 M538 |
| 5 | 996 521 721 00 | support valve housing | | 2 | M437/438 M513/586 |
| 6 | 999 181 749 40 | air hose seating position control | | 2 | M513/586 |
| 7 | 996 613 725 00 | pressure switch | | 2 | M513/586 |
| 8 | 900 067 051 02 | pan-head screw M 5 X 10 | | 2 | M513/586 |
| 9 | 996 617 725 00 | valve housing seating position control | | 2 | M513/586 |
| (9) | 996 617 726 00 | valve housing seating position control | | 2 | M513/586 M537/538 |

| | | | | | | | | | | | |
|-------|------|----|----|--------------|--------------|-----|-------|------------|---------|-----|---------|
| Model | Year | MG | SG | Illustration | Restrictions | UPD | 20:10 | 24.01.2010 | PORSCHE | PET | PORSCHE |
| 996T | 2005 | 8 | 17 | 817-10 | | 248 | | | | | |

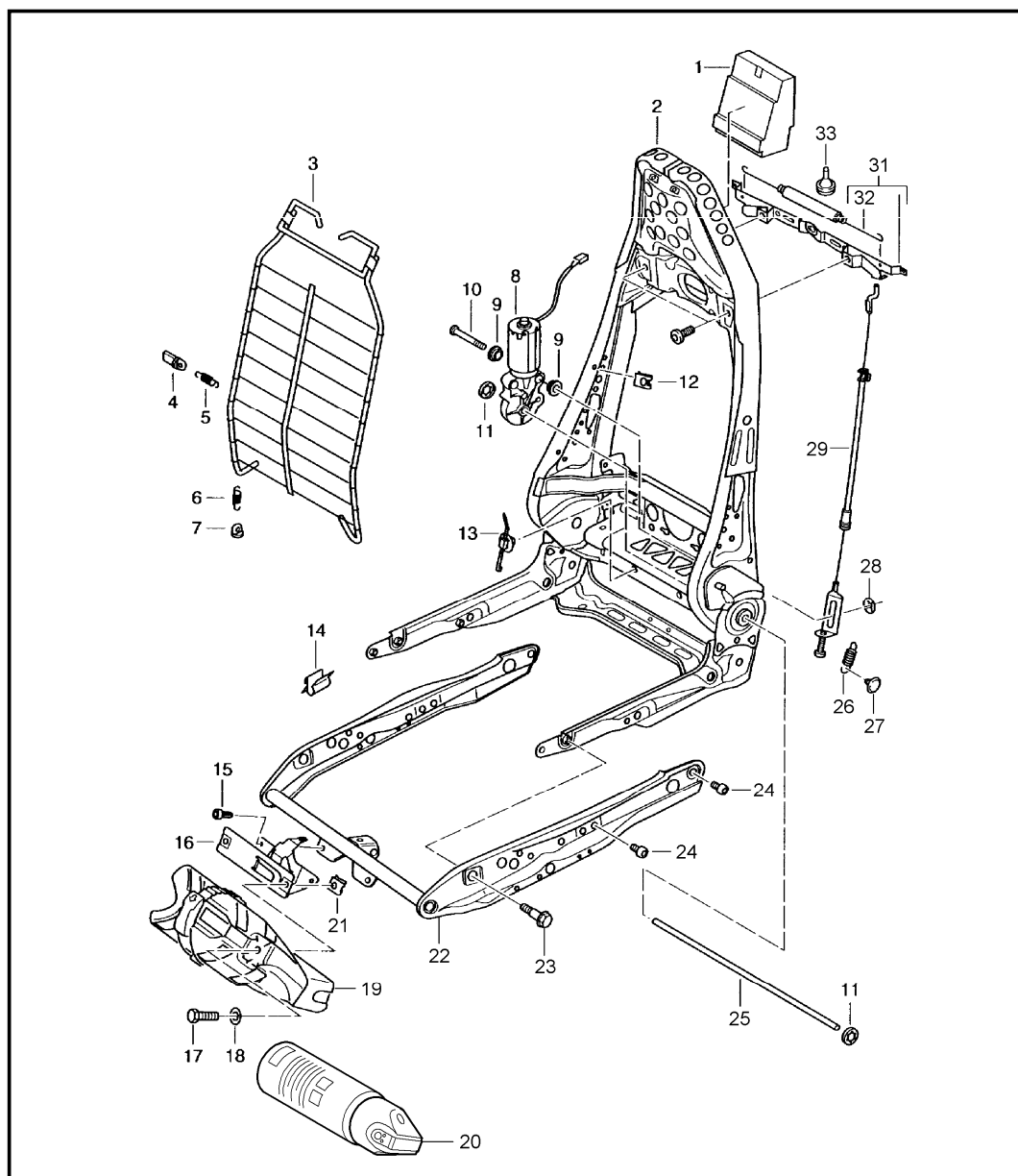


| Pos | Part Number | Description | Remark | Qty | Model |
|-----|----------------|---|--------|-----|----------------------|
| | | backrest shell standard seat comfort seat | | | TURBO/GT2 |
| 1 | 996 521 083 08 | backrest shell leather | -01 | 1 | M437/438 M982/983 |
| | 8YR | black | | | |
| | C50 | graphite grey | | | |
| | S30 | savanna | | | |
| | G10 | metropole blue | | | |
| | J30 | nephrite green | | | |
| | M30 | boxster red | | | |
| | D11 | dark grey | | | |
| | T11 | brown/natural | | | |
| (1) | 996 521 083 10 | backrest shell leather | 02- | 1 | M437/438 M982/983 |
| | 8YR | black | | | |
| | C50 | graphite grey | | | |
| | S30 | savanna | | | |
| | G10 | metropole blue | | | |
| | J30 | nephrite green | | | |
| | M30 | boxster red | | | |
| | P11 | cinnamon brown | | | |
| | D11 | dark grey/natural | | | |
| | T11 | brown/natural | | | |
| (1) | 996 521 083 11 | backrest shell | 02- | 1 | M437/438 |
| | A80 | black | | | |
| | C01 | graphite grey | | | M985 |
| | S02 | savanna | | | |
| | G01 | metropole blue | | | |
| | J01 | nephrite green | | | |
| | M01 | boxster red | | | |

| | | | | | | | | | | | |
|-------|------|----|----|--------------|--------------|-----|-------|------------|---------|-----|---------|
| Model | Year | MG | SG | Illustration | Restrictions | UPD | 20:10 | 24.01.2010 | PORSCHE | PET | PORSCHE |
| 996T | 2005 | 8 | 17 | 817-10 | | 248 | | | | | |

| Pos | Part Number | Description | Remark | Qty | Model | Pos | Part Number | Description | Remark | Qty | Model |
|-----|----------------|--|--------|-----|------------|-----|-------------|-------------|--------|-----|-------|
| | P01 | cinnamon brown | | | | | | | | | |
| 2 | 900 151 027 02 | washer 5,3 | | 4 | | | | | | | |
| (3) | 996 521 319 01 | cup backrest | /L | 01- | 1 M437/438 | | | | | | |
| (3) | 996 521 320 01 | cup backrest | /R | 01- | 1 M437/438 | | | | | | |
| 4 | 999 507 677 01 | speed nut M 5 | | 8 | | | | | | | |
| 5 | 999 507 594 01 | u-clamp backrest cover 1,0 - 2,0 | | 28 | | | | | | | |
| 6 | 311 881 247 | clamp mount cover centre part | | 2 | | | | | | | |

| | | | | | | | | | | | |
|-------|------|----|----|--------------|--------------|-----|-------|------------|---------|-----|---------|
| Model | Year | MG | SG | Illustration | Restrictions | UPD | 20:10 | 24.01.2010 | PORSCHE | PET | PORSCHE |
| 996T | 2005 | 8 | 17 | 817-15 | | 248 | | | | | |

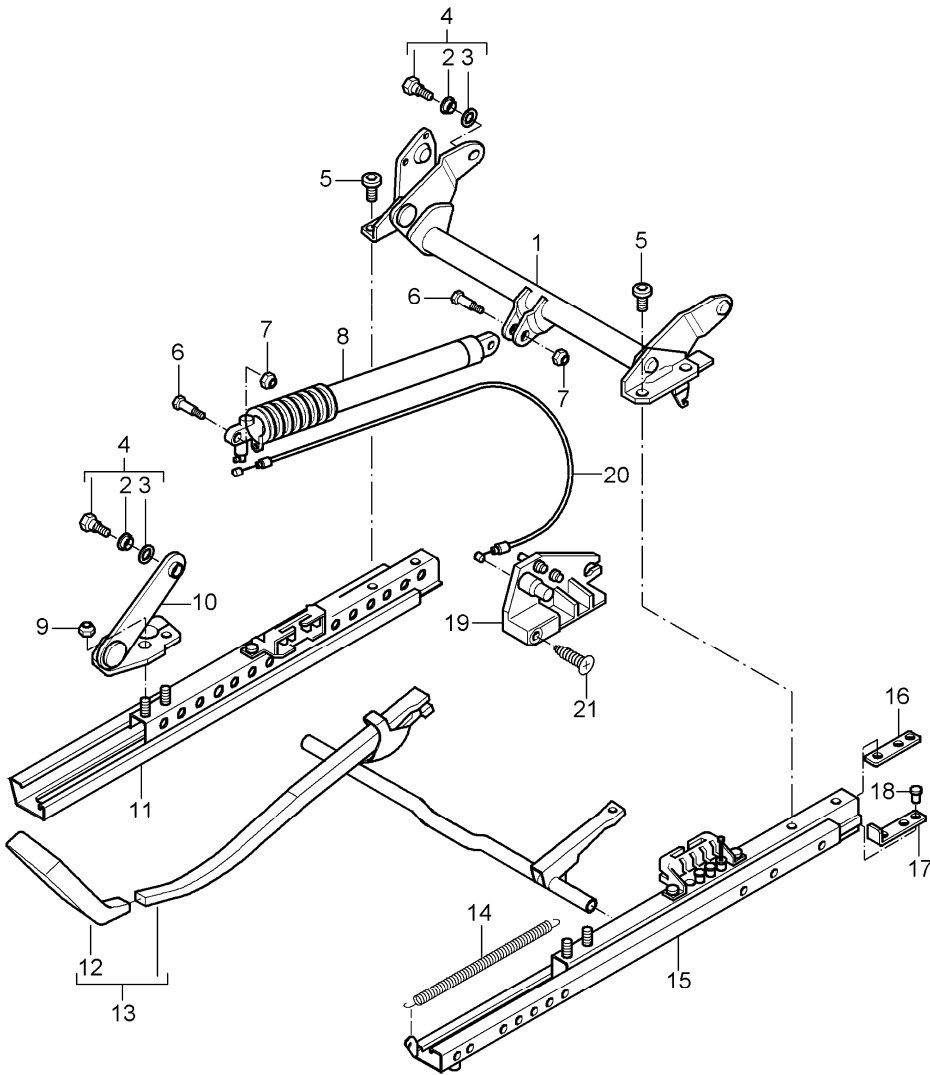


| Pos | Part Number | Description | Remark | Qty | Model |
|------|----------------|---|--------|-----|-----------|
| | | backrest frame seat frame standard seat comfort seat | | | TURBO/GT2 |
| 1 | 996 521 883 00 | foam part | | 2 | |
| 2 | 996 521 329 01 | backrest frame | | 2 | |
| 3 | 996 521 355 01 | mat | | 2 | |
| 4 | 996 521 367 00 | support spring centre | | 8 | |
| 5 | 996 521 333 00 | spring centre | | 8 | |
| 6 | 996 521 331 01 | spring lower | | 4 | |
| 7 | 996 521 365 00 | support spring lower | | 4 | |
| 8 | 996 624 321 00 | engine for backrest adjustment | | 2 | |
| (8) | 996 624 331 00 | engine for backrest adjustment | | 2 | M537/538 |
| 9 | 999 924 129 40 | bush 6 X 12 X 4,5 | | 4 | |
| 10 | 999 073 141 02 | oval-head screw M 6 X 42,5 | | 2 | |
| 11 | 999 507 597 01 | clamping washer 10,0 | | 4 | |
| 12 | 999 507 598 02 | speed nut M 5 | | 8 | |
| 13 | 999 513 063 40 | cable holder 12,0 - 35 | | 4 | |
| 15 | 999 141 028 02 | pan-head screw M 5 X 10 | | 3 | M509 |
| 16 | 996 521 674 00 | support fire extinguisher | /LL | 1 | M509 |
| (16) | 996 521 673 00 | support fire extinguisher | /RL | 1 | M509 |
| 17 | 900 067 137 02 | pan-head screw M 5 X 16 | | 2 | M509 |

| | | | | | | | | | | | |
|-------|------|----|----|--------------|--------------|-----|-------|------------|---------|-----|---------|
| Model | Year | MG | SG | Illustration | Restrictions | UPD | 20:10 | 24.01.2010 | PORSCHE | PET | PORSCHE |
| 996T | 2005 | 8 | 17 | 817-15 | | 248 | | | | | |

| Pos | Part Number | Description | Remark | Qty | Model | Pos | Part Number | Description | Remark | Qty | Model |
|------|----------------|---|--------|-----|-------|-----|-------------|-------------|--------|-----|-------|
| 18 | 900 151 027 02 | washer 5,3 | | 2 | M509 | | | | | | |
| 19 | 996 521 607 00 | cup fire extinguisher | | 1 | M509 | | | | | | |
| 20 | 996 722 115 00 | fire extinguisher Information available Information available | | 1 | M509 | | | | | | |
| 21 | 999 507 067 02 | speed nut M 5 | | 2 | M509 | | | | | | |
| 22 | 996 521 227 00 | seat frame | | 1 | | | | | | | |
| 23 | 996 521 681 01 | bearing pin complete | | 1 | | | | | | | |
| 24 | 999 141 027 02 | oval-head screw M 8 X 10 | | 8 | | | | | | | |
| 25 | 996 521 343 01 | drive shaft for backrest adjustment | | 2 | | | | | | | |
| 26 | 999 522 032 00 | tension spring 0,7 X 7,5 X 15 | | 4 | | | | | | | |
| 27 | 999 703 474 40 | stopper 5,4 X 15 X 7,5 | -04 | 4 | | | | | | | |
| (27) | 999 703 102 40 | stopper 4,5 X 9 X 11,2 | 04- | 4 | | | | | | | |
| 28 | N 900 114 02 | clamping washer 4 | | 4 | | | | | | | |
| 29 | 996 521 185 00 | cable | | 4 | | | | | | | |
| 31 | 996 521 175 00 | backrest locking lever | | 2 | | | | | | | |
| 32 | 996 521 195 00 | clutch power spring | | 2 | | | | | | | |
| 33 | 996 521 403 00 | rubber buffer | | 2 | | | | | | | |

| | | | | | | | | | | | |
|-------|------|----|----|--------------|--------------|-----|-------|------------|---------|-----|---------|
| Model | Year | MG | SG | Illustration | Restrictions | UPD | 20:10 | 24.01.2010 | PORSCHE | PET | PORSCHE |
| 996T | 2005 | 8 | 17 | 817-18 | | 248 | | | | | |

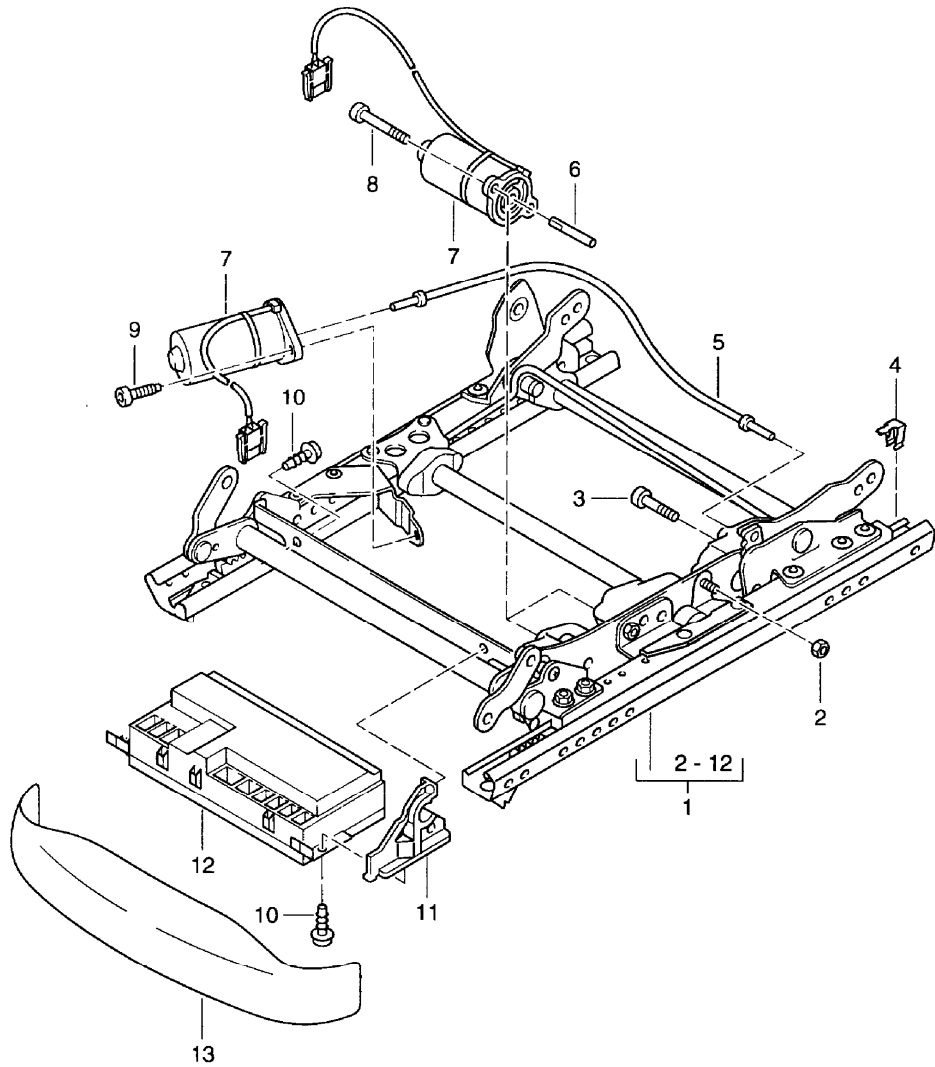


| Pos | Part Number | Description | Remark | Qty | Model |
|------|----------------|---|--------|-----|-----------|
| | | seat adjuster standard seat with height adjustment mechanical | | | TURBO/GT2 |
| 1 | 996 521 641 00 | pipe rear | /L | 1 | |
| (1) | 996 521 642 00 | pipe rear | /R | 1 | |
| 3 | 999 209 051 00 | spacer sleeve 12,4 x 2,8 | | 2 | |
| 4 | 996 521 259 02 | screw seat-belt buckle complete | /H | 4 | |
| - | 996 521 681 00 | bearing pin seat frame | /V | 8 | |
| 5 | 986 521 659 00 | screw adapter | | 8 | |
| 6 | 999 311 008 01 | square screw gas-pressure spring M 5 X 23,6 | | 2 | |
| 7 | 986 521 687 00 | nut gas-pressure spring | | 2 | |
| 8 | 996 521 615 01 | gas-pressure spring | | 1 | M539/540 |
| 9 | 900 910 003 07 | hexagon nut adapter M 8 | | 8 | |
| (10) | 986 521 679 00 | adapter | | 2 | |
| 10 | 986 521 680 00 | adapter seat frame front | | 2 | M539/540 |
| 11 | 996 521 692 01 | seat rail inner | | 1 | M375 |
| (11) | 996 521 691 01 | seat rail inner | | 1 | M376 |
| 12 | 996 521 617 01 | handle | /L | 1 | M375 |
| (12) | 996 521 618 01 | handle | /R | 1 | M376 |
| 13 | 996 521 621 02 | lever complete | /L | 1 | M375 |

| | | | | | | | | | | | |
|-------|------|----|----|--------------|--------------|-----|-------|------------|---------|-----|---------|
| Model | Year | MG | SG | Illustration | Restrictions | UPD | 20:10 | 24.01.2010 | PORSCHE | PET | PORSCHE |
| 996T | 2005 | 8 | 17 | 817-18 | | 248 | | | | | |

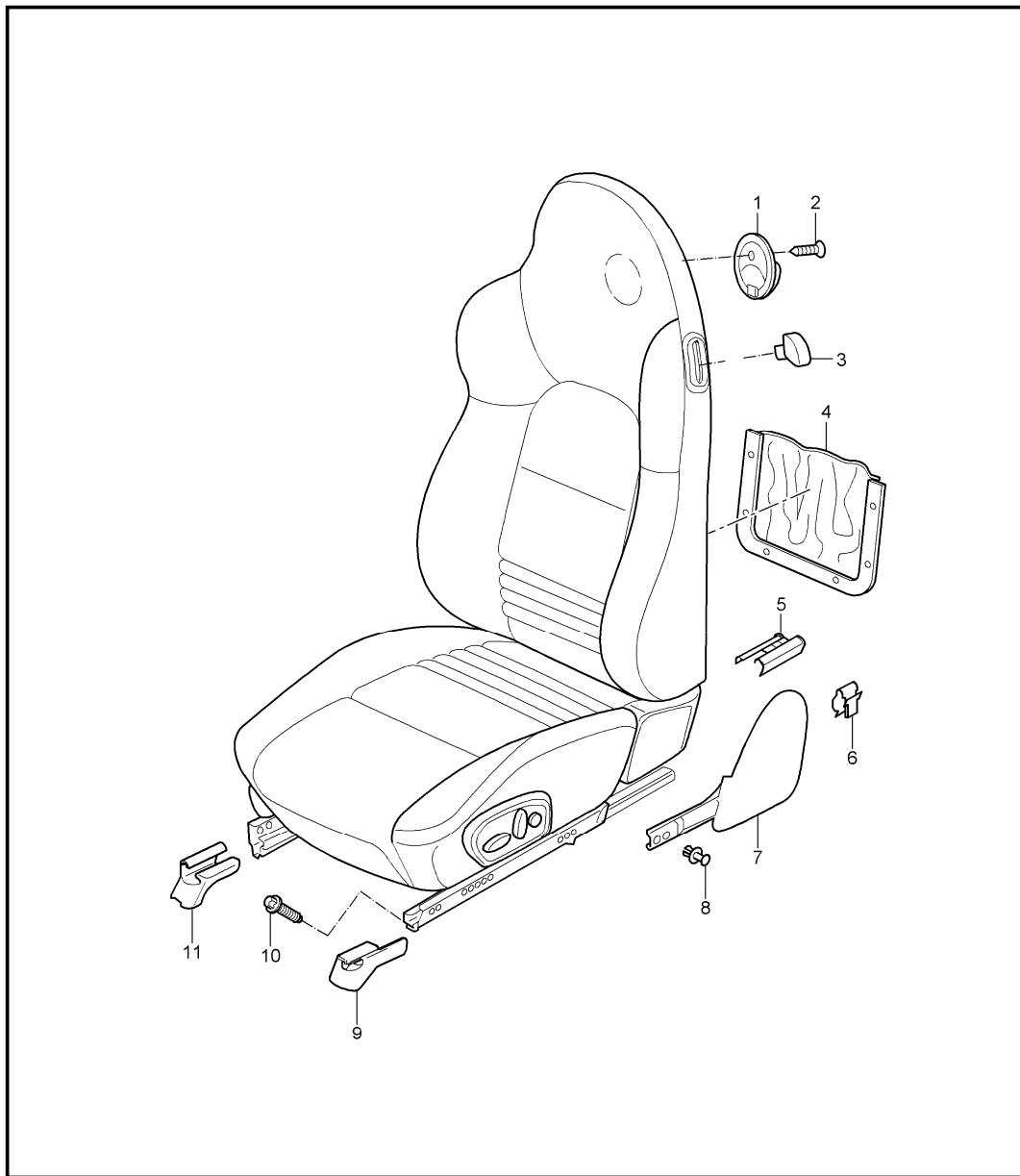
| Pos | Part Number | Description | Remark | Qty | Model | Pos | Part Number | Description | Remark | Qty | Model |
|------|----------------|---------------------------------|--------|-----|----------|-----|-------------|-------------|--------|-----|-------|
| (13) | 996 521 622 02 | lever complete | /R | 1 | M376 | | | | | | |
| 14 | 996 521 645 00 | clutch power spring | | 2 | M375/376 | | | | | | |
| 15 | 996 521 689 01 | seat rail outer | | 1 | M375 | | | | | | |
| (15) | 996 521 690 01 | seat rail outer | | 1 | M376 | | | | | | |
| 16 | 986 521 643 00 | threaded plate | | 4 | M375/376 | | | | | | |
| (17) | 996 521 603 01 | stop | | 4 | | | | | | | |
| 18 | 996 521 601 00 | fixing clip stop rear | | 4 | | | | | | | |
| 19 | 996 521 675 00 | adjusting mechanism | /L | 1 | M539 | | | | | | |
| (19) | 996 521 676 00 | adjusting mechanism | /R | 1 | M540 | | | | | | |
| 20 | 986 521 683 00 | bowden cable | | 2 | M539/540 | | | | | | |
| 21 | 999 919 180 07 | countersunk-head screw M 5 X 25 | | 2 | | | | | | | |

| | | | | | | | | | | | |
|-------|------|----|----|--------------|--------------|-----|-------|------------|---------|-----|---------|
| Model | Year | MG | SG | Illustration | Restrictions | UPD | 20:11 | 24.01.2010 | PORSCHE | PET | PORSCHE |
| 996T | 2005 | 8 | 17 | 817-19 | | 248 | | | | | |



| Pos | Part Number | Description | Remark | Qty | Model |
|------|----------------|---|--------|-----|----------------------|
| | | seat adjuster comfort seat | | | TURBO/GT2 |
| 1 | 996 521 401 02 | seat adjuster complete | /RL | 1 | M437 |
| (1) | 996 521 402 02 | seat adjuster complete | /LL | 1 | M438 |
| (1) | 996 521 401 07 | seat adjuster | /LL | 1 | M437/537 |
| (1) | 996 521 402 07 | seat adjuster complete | /RL | 1 | M438/538 |
| 2 | 999 084 451 02 | hexagon nut M 5 | | 4 | |
| 3 | 999 073 144 02 | pan-head screw M 5 X 39,3 | | 4 | |
| 5 | 996 521 609 00 | drive shaft rear vertical adjustment | | 2 | |
| 6 | 996 521 611 00 | shaft | | 4 | |
| 7 | 996 624 322 00 | engine | | X | M437/438 |
| (7) | 996 624 332 00 | engine seating position control | | X | M537/538 |
| 8 | 999 073 147 02 | pan-head screw M 5 X 58 | | 8 | M437/438 |
| 9 | 999 073 148 02 | oval-head screw M 5 X 14 | | 4 | M437/438 |
| 10 | 999 073 145 02 | oval-head screw M 5,0 X 12 | | X | |
| 11 | 996 618 547 00 | support control unit | | 4 | M537/538 |
| (12) | 996 618 537 01 | control unit | 01 | 2 | M537/538 |
| (12) | 996 618 537 03 | control unit | -05 | 2 | M537/538 |
| 13 | 996 521 317 00 | cover control unit seating position control | | 2 | M437/438 M537/538 |
| | | 01C black | | | |

| | | | | | | | | | | | |
|-------|------|----|----|--------------|--------------|-----|-------|------------|---------|-----|---------|
| Model | Year | MG | SG | Illustration | Restrictions | UPD | 20:11 | 24.01.2010 | PORSCHE | PET | PORSCHE |
| 996T | 2005 | 8 | 17 | 817-20 | | 248 | | | | | |

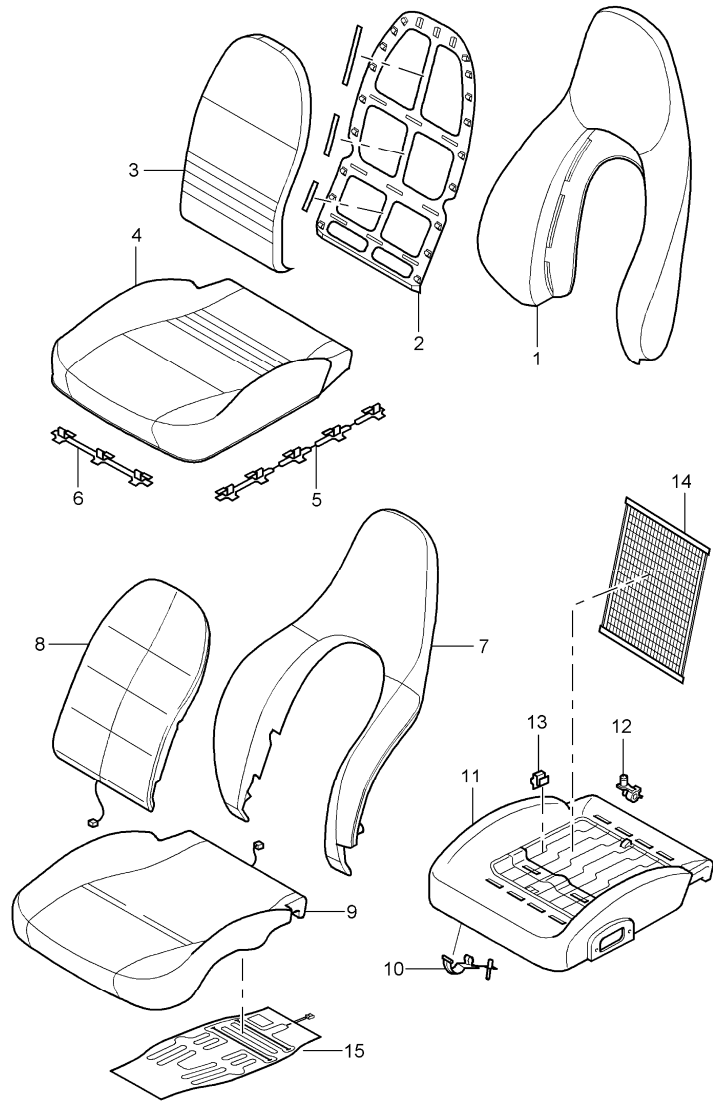


| Pos | Part Number | Description | Remark | Qty | Model |
|-----|----------------|------------------------------------|--------|-----|-----------|
| | | sports seat | | | TURBO/GT2 |
| | | sports seat complete not available | | | |
| 1 | 996 521 373 00 | coat hook | | 2 | |
| | A03 | black | | | |
| 2 | 999 919 199 09 | countersunk-head screw M5 x 25 | | 2 | |
| 3 | 996 521 421 00 | control button | /L | 2 | |
| (3) | 996 521 422 00 | control button | /R | 2 | |
| 4 | 996 521 313 01 | bag leather | | 2 | M983 |
| | C50 | graphite grey | | | |
| | B50 | space grey | | | |
| | G10 | metropole blue | | | |
| | S30 | savanna | | | |
| | J30 | nephrite green | | | |
| | M30 | boxster red | | | |
| | D11 | dark grey | | 00- | |
| | T11 | brown/natural | | 00- | |
| | P11 | cinnamon brown | | | |
| 6 | 999 507 592 01 | cable clamp cover 1,0 - 6,0 | | 2 | |
| 7 | 996 521 315 01 | cap | /L | 1 | |
| | A03 | black | | 00- | |
| | C53 | graphite grey | | 00- | |
| | S33 | savanna | | 00- | |
| | G13 | metropole blue | | 00- | |
| | J33 | nephrite green | | 00- | |
| | M33 | boxster red | | 00- | |
| | B13 | space grey | | 00- | |

| | | | | | | | | | | | |
|-------|------|----|----|--------------|--------------|-----|-------|------------|---------|-----|---------|
| Model | Year | MG | SG | Illustration | Restrictions | UPD | 20:11 | 24.01.2010 | PORSCHE | PET | PORSCHE |
| 996T | 2005 | 8 | 17 | 817-20 | | 248 | | | | | |

| Pos | Part Number | Description | Remark | Qty | Model | Pos | Part Number | Description | Remark | Qty | Model |
|--------|----------------|---------------------------|--------|-----|------------|-----|-------------|-------------|--------|-----|-------|
| | | P13 cinnamon brown | | 01- | | | 01C | satin black | | | |
| (7) | 996 521 316 01 | cap | /R | 1 | | | | | | | |
| | A03 | black | | 00- | | | | | | | |
| | C53 | graphite grey | | 00- | | | | | | | |
| | S33 | savanna | | 00- | | | | | | | |
| | G13 | metropole blue | | 00- | | | | | | | |
| | J33 | nephrite green | | 00- | | | | | | | |
| | M33 | boxster red | | 00- | | | | | | | |
| | B13 | space grey | | 00- | | | | | | | |
| | P13 | cinnamon brown | | 01- | | | | | | | |
| 8 | 999 507 599 40 | expansion rivet 10 | | 2 | | | | | | | |
| 9 | 996 521 362 01 | cover inner | /L | 1 | IXSE/M375 | | | | | | |
| | 01C | satin black | | | | | | | | | |
| (9) | 996 521 361 01 | cover inner | /R | 1 | IXSF/M376 | | | | | | |
| | 01C | satin black | | | | | | | | | |
| 10 | 999 141 038 07 | torx screw M 10 X 26,5 | | -02 | 8 IXSE/XSF | | | | | | |
| (10) | 999 141 039 07 | screw M 10 X 28 | | 03- | 8 IXSE/XSF | | | | | | |
| 11 A | 996 521 360 00 | cover outer | /R | 1 | IXSF/M376 | | | | | | |
| | 01C | satin black | | | | | | | | | |
| 11 | 996 521 360 01 | cover outer | /R | 1 | IXSF/M376 | | | | | | |
| | 01C | satin black | | | | | | | | | |
| (11) A | 996 521 359 00 | cover outer | /L | 1 | IXSE/M375 | | | | | | |
| | 01C | satin black | | | | | | | | | |
| (11) | 996 521 359 01 | cover outer | /L | 1 | IXSE/M375 | | | | | | |

| | | | | | | | | | | | |
|-------|------|----|----|--------------|--------------|-----|-------|------------|---------|-----|---------|
| Model | Year | MG | SG | Illustration | Restrictions | UPD | 20:11 | 24.01.2010 | PORSCHE | PET | PORSCHE |
| 996T | 2005 | 8 | 17 | 817-25 | | 248 | | | | | |



| Pos | Part Number | Description | Remark | Qty | Model |
|-----|----------------|---|--------|-----|--------------|
| | | cover foam part sports seat | | | TURBO/GT2 |
| 1 | 996 521 993 02 | backrest cover with porsche crest leather | | 2 | M983 IXSC |
| | | C50 graphite grey | | | |
| | | B50 space grey | | | |
| | | G10 metropole blue | | | |
| | | S30 savanna | | | |
| | | J30 nephrite green | | | |
| | | M30 boxster red | | | |
| | | T11 brown/natural | | | |
| | | D11 dark grey/natural | | | |
| | | P11 cinnamon brown | | | |
| | | ETO black | 00- | | |
| 1 | 996 521 155 04 | backrest cover outer part leather | -01 | 2 | M983 |
| | | EEF graphite grey | | | |
| | | EGF savanna | | | |
| | | EFF metropole blue | | | |
| | | EGJ space grey | | | |
| | | ELA nephrite green | | | |
| | | ENA boxster red | | | |
| | | ERZ black | | | |
| | | VRA dark grey | | | |
| | | VRB brown/natural | | | |
| (1) | 996 521 155 05 | cover backrest outer part leather | | 2 | IXSU/M983 |

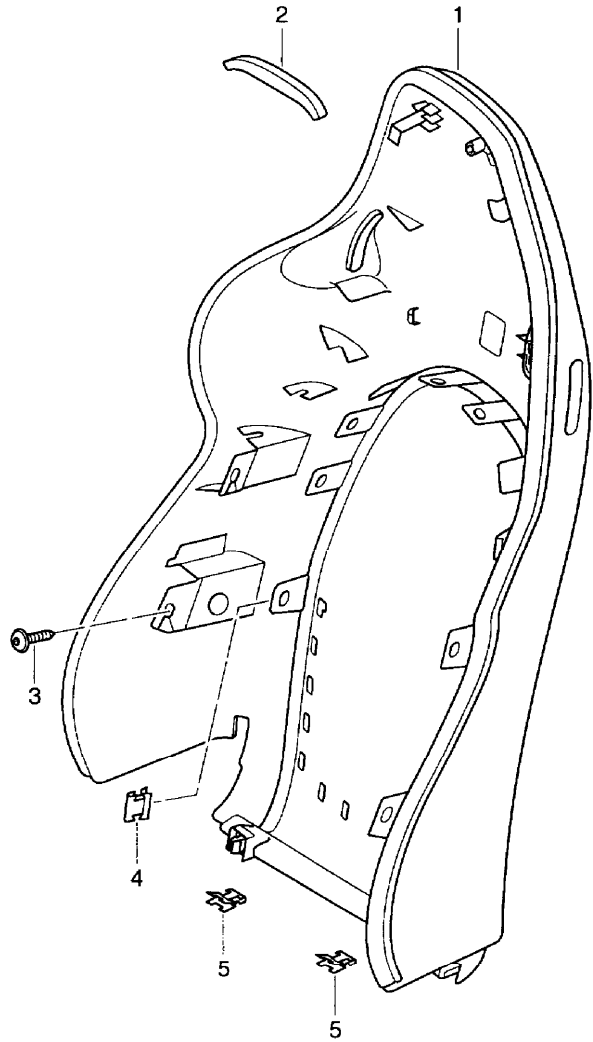
| | | | | | | | | | | | |
|-------|------|----|----|--------------|--------------|-----|-------|------------|---------|-----|---------|
| Model | Year | MG | SG | Illustration | Restrictions | UPD | 20:11 | 24.01.2010 | PORSCHE | PET | PORSCHE |
| 996T | 2005 | 8 | 17 | 817-25 | | 248 | | | | | |

| Pos | Part Number | Description | Remark | Qty | Model | Pos | Part Number | Description | Remark | Qty | Model |
|-----|----------------|--|--------|-----|----------|-----|----------------|---|--------|-----|-----------|
| | ERZ | black | | | | | S30 | savanna | 98- | | |
| | EEF | graphite grey | | | | | J30 | nephrite green | 98- | | |
| | EGF | savanna | | | | | M30 | boxster red | 98- | | |
| | EFF | metropole blue | | | | | ETO | black | 00- | | |
| | ELA | nephrite green | | | | | D11 | dark grey | 00- | | |
| | ENA | boxster red | | | | | T11 | brown/natural | 00- | | |
| | FEH | cinnamon brown | | | | (3) | 996 521 151 07 | cover | 03- | 2 | IXSU/M983 |
| | VRA | dark grey/natural | | | | | ETO | black | | | |
| | VRB | brown/natural | | | | | D11 | dark grey/natural | | | |
| (1) | 996 521 155 06 | cover backrest outer part leather | 01- | 2 | M983 | | T11 | brown/natural | | | |
| | ERZ | black | | | | (3) | 996 521 151 09 | cover centre part special model forty fast years | 04 | 2 | M971/983 |
| | EEF | graphite grey | | | | | D13 | dark grey/natural | | | |
| | EGF | savanna | | | | (4) | 996 521 165 04 | cover seat cushion leather without heating | 01- | 2 | M983 |
| | EFF | metropole blue | | | | | ERZ | black | | | |
| | ELA | nephrite green | | | | | EEF | graphite grey | | | |
| | ENA | boxster red | | | | | EGF | savanna | | | |
| | FEH | cinnamon brown | | | | | EFF | metropole blue | | | |
| | VRA | dark grey/natural | | | | | ELA | nephrite green | | | |
| | VRB | brown/natural | | | | | ENA | boxster red | | | |
| (1) | 996 521 155 07 | cover outer part special model forty fast years | 04 | 1 | M971/983 | | FEH | cinnamon brown | | | |
| | VTE | dark grey/natural | | | | | VRA | dark grey/natural | | | |
| (2) | 996 521 551 01 | frame backrest | 01- | 2 | | | VRB | brown/natural | | | |
| 3 | 996 521 151 05 | backrest cushion cover leather | 01- | 2 | M983 | (4) | 996 521 165 05 | cover seat cushion | 02- | 2 | IXSU/M983 |
| | C50 | graphite grey | 98- | | | | ERZ | black | | | |
| | G10 | metropole blue | 98- | | | | EEF | graphite grey | | | |

| | | | | | | | | | | | |
|-------|------|----|----|--------------|--------------|-----|-------|------------|---------|-----|---------|
| Model | Year | MG | SG | Illustration | Restrictions | UPD | 20:11 | 24.01.2010 | PORSCHE | PET | PORSCHE |
| 996T | 2005 | 8 | 17 | 817-25 | | 248 | | | | | |

| Pos | Part Number | Description | Remark | Qty | Model | Pos | Part Number | Description | Remark | Qty | Model |
|-----|----------------|--|--------|-----|-----------|------|----------------|---|--------|-----|-------|
| | EGF | savanna | | | | 10 | 996 521 597 00 | clip | | 8 | |
| | EFF | metropole blue | | | | (10) | 996 521 937 00 | clip for cushion carrier | 01- | 10 | |
| | ELA | nephrite green | | | | (11) | 996 521 505 00 | cushion carrier seat cushion front seat | 01- | 2 | |
| | ENA | boxster red | | | | 12 | 999 507 506 40 | cable holder 5,0 | | 1 | |
| | FEH | cinnamon brown | | | | 13 | 999 651 314 01 | cable clamp 3,0 - 4,0 | | 8 | |
| | VRA | dark grey/natural | | | | 14 | 996 521 507 01 | mat seat cushion cushion carrier | | 1 | |
| | VRB | brown/natural | | | | 15 | 996 653 105 01 | heating element seat surface | 01- | 1 | M342 |
| (4) | 996 521 165 06 | cover seat cushion special model forty fast years | 04- | 2 | M971/983 | | | | | | |
| | VSX | dark grey/natural | | | | | | | | | |
| 7 | 996 521 535 02 | foam part | 99 | 2 | | | | | | | |
| (7) | 996 521 535 03 | foam part backrest frame | 00- | 2 | | | | | | | |
| (8) | 996 521 535 05 | foam part backrest outer part | 02- | 2 | IXSU | | | | | | |
| 8 | 996 521 531 00 | foam part backrest cushion without heating | | 2 | | | | | | | |
| (8) | 996 521 531 01 | foam part backrest cushion with heating | | 2 | M342 | | | | | | |
| (8) | 996 521 537 00 | foam part backrest cushion without heating | 02- | 2 | IXSU | | | | | | |
| (8) | 996 521 539 00 | foam part backrest cushion with heating | 02- | 2 | IXSU/M342 | | | | | | |
| (9) | 996 521 571 01 | foam part seat cushion without heating | 01- | 2 | | | | | | | |
| (9) | 996 521 523 01 | foam part seat cushion without heating | 02- | 2 | IXSU | | | | | | |
| (9) | 996 521 525 01 | foam part seat cushion with heating | 02- | 2 | IXSU/M342 | | | | | | |

| | | | | | | | | | | | |
|-------|------|----|----|--------------|--------------|-----|-------|------------|---------|-----|---------|
| Model | Year | MG | SG | Illustration | Restrictions | UPD | 20:11 | 24.01.2010 | PORSCHE | PET | PORSCHE |
| 996T | 2005 | 8 | 17 | 817-30 | | 248 | | | | | |

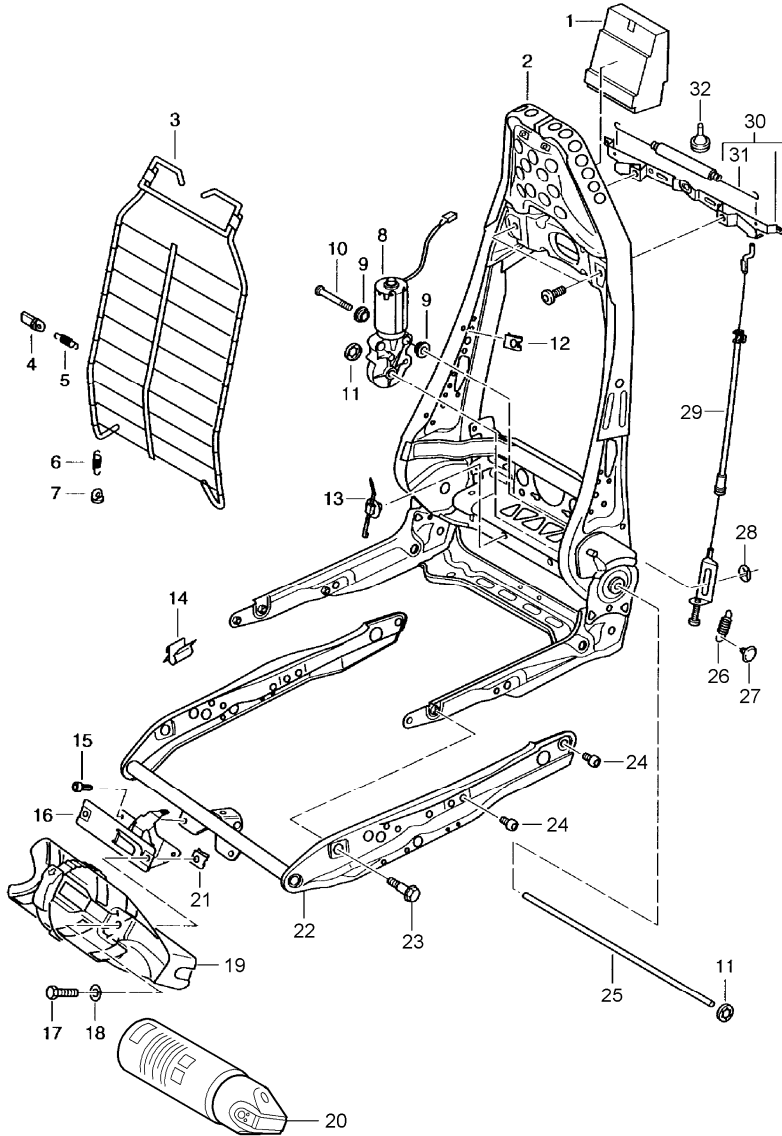


| Pos | Part Number | Description | Remark | Qty | Model |
|-----|----------------|--------------------------------------|--------|-----|---------------|
| | | backrest shell sports seat | | | TURBO/GT2 |
| 1 | 996 521 083 06 | backrest shell lacquered | -01 | 2 | M375/376 |
| | A03 | black | | | |
| | C53 | graphite grey | | | |
| | S33 | savanna | | | |
| | G13 | metropole blue | | | |
| | B13 | space grey | | | |
| | M33 | boxster red | | | |
| | J33 | nephrite green | | | |
| | P13 | cinnamon brown | | | |
| (1) | 986 521 303 11 | backrest shell sports seat | 01- | 1 | M375/376 |
| | A03 | black | | | |
| | C53 | graphite grey | | | |
| | S33 | savanna | | | |
| | G13 | metropole blue | | | |
| | J33 | nephrite green | | | |
| | M33 | boxster red | | | |
| | P13 | cinnamon brown | | | |
| (1) | 996 521 992 02 | backrest shell sports seat lacquered | 00- | 2 | M375/376 IXSA |
| | 80K | guards red | | | |
| | 747 | black | | | |
| | 9A3 | biarritz white | | | |
| | 12G | speed yellow | | | |
| | 92T | arctic silver metallic | | | |
| | 746 | black | | | |
| | 2A2 | rainforest green metallic | | | |

| | | | | | | | | | | | |
|-------|------|----|----|--------------|--------------|-----|-------|------------|---------|-----|---------|
| Model | Year | MG | SG | Illustration | Restrictions | UPD | 20:11 | 24.01.2010 | PORSCHE | PET | PORSCHE |
| 996T | 2005 | 8 | 17 | 817-30 | | 248 | | | | | |

| Pos | Part Number | Description | Remark | Qty | Model | Pos | Part Number | Description | Remark | Qty | Model |
|-----|----------------|-------------------------------|--------|-----|------------------|-----|----------------|---|--------|-----|------------------|
| | 1A9 | zanzibar red | | | | | B51 | space grey | | | |
| | 8A4 | orient red metallic | | | | | T12 | brown/natural | | | |
| | 6A7 | meridian metallic | | | | | D12 | dark grey/natural | | | |
| | 6B5 | seal grey metallic | | | | | M31 | boxster red | | | |
| | 3A9 | lapis blue metallic | | | | | J31 | nephrite green | | | |
| | 92E | polar silver metallic | | | | | P12 | cinnamon brown | | | |
| | 37U | cobalt blue metallic | | | | (1) | 996 521 992 06 | backrest shell sports seat lacquered | 04 | 2 | M375/376 IXCG |
| | 22E | forest green metallic | | | | | V03 | sport silver | | | |
| | 22D | slate grey metallic | | | | | | | | | |
| | 37W | midnight blue metallic | | | | 2 | 996 521 885 00 | foam part | | 2 | M375/376 |
| | 347 | dark blue | | | | 3 | 999 143 009 01 | screw backrest shell M 5 X 16 | 98 | X | |
| | 23I | wimbledon green metallic | | | | | | | | | |
| | 39G | violet metallic | | | | 4 | 999 507 594 01 | u-clamp mount backrest cover 1,0 - 2,0 | | 14 | |
| (1) | 986 521 987 03 | backrest shell sports seat | 01- | 2 | M375/376 IXSB | | | | | | |
| | A11 | black | | | | 5 | 311 881 247 | clamp mount cover centre part | | 2 | |
| | C51 | graphite grey | | | | | | | | | |
| | S31 | savanna | | | | | | | | | |
| | G11 | metropole blue | | | | | | | | | |
| | J31 | nephrite green | | | | | | | | | |
| | M31 | boxster red | | | | | | | | | |
| | P12 | cinnamon brown | | | | | | | | | |
| | D12 | dark grey/natural | | | | | | | | | |
| | T12 | brown/natural | | | | | | | | | |
| (1) | 996 521 987 03 | backrest shell sports seat | 00- | 2 | M375/376 IXSB | | | | | | |
| | A11 | black | | | | | | | | | |
| | C51 | graphite grey | | | | | | | | | |
| | S31 | savanna | | | | | | | | | |
| | G11 | metropole blue | | | | | | | | | |

| | | | | | | | | | | | |
|-------|------|----|----|--------------|--------------|-----|-------|------------|---------|-----|---------|
| Model | Year | MG | SG | Illustration | Restrictions | UPD | 20:11 | 24.01.2010 | PORSCHE | PET | PORSCHE |
| 996T | 2005 | 8 | 17 | 817-40 | | 248 | | | | | |

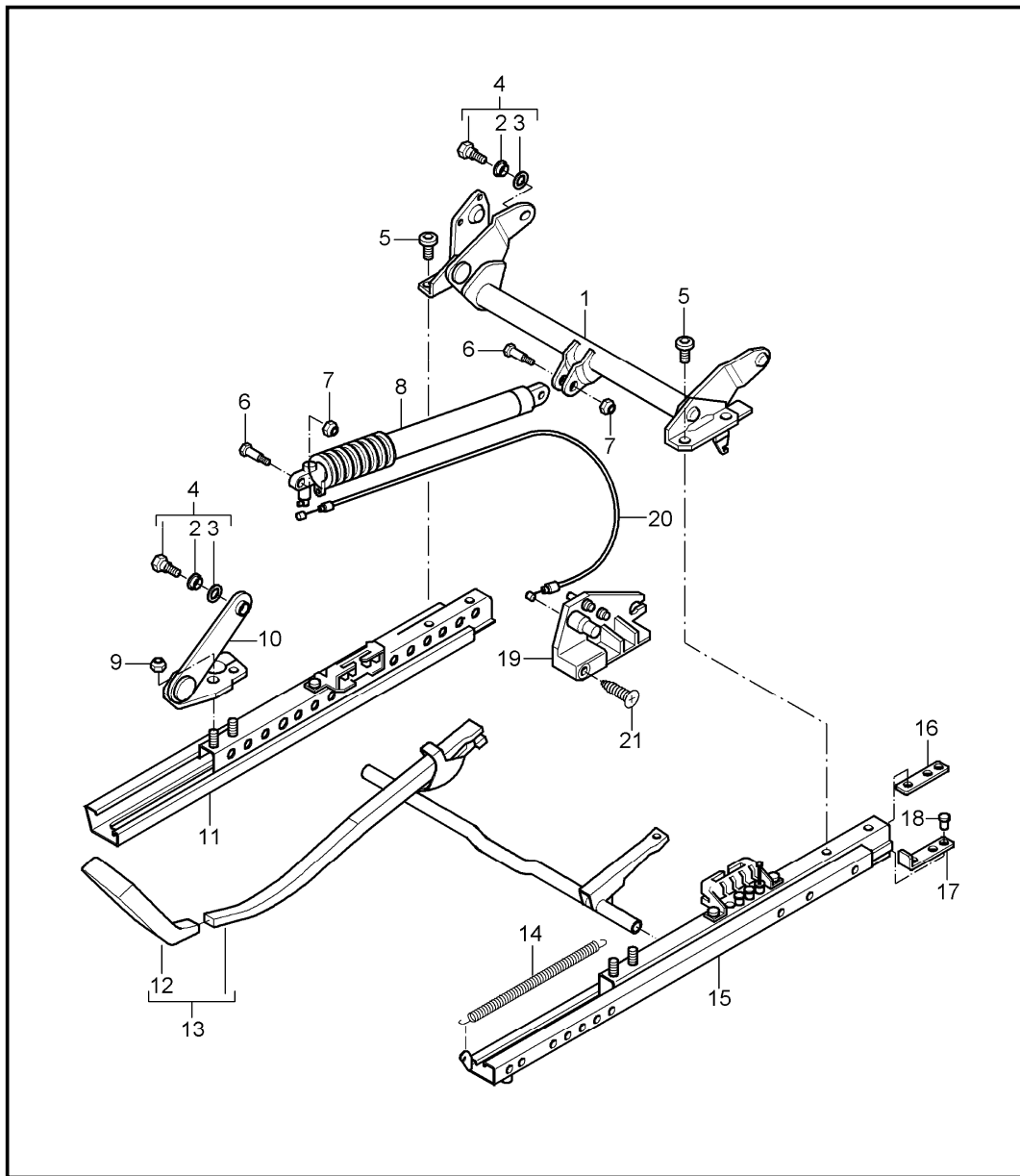


| Pos | Part Number | Description | Remark | Qty | Model |
|------|----------------|-----------------------------------|--------|-----|-----------|
| | | seat frame backrest frame | | | TURBO/GT2 |
| 1 | 996 521 883 00 | foam part | | 2 | M437/438 |
| 2 | 996 521 329 01 | backrest frame | | 2 | |
| 3 | 996 521 355 01 | mat | | 2 | |
| 4 | 996 521 367 00 | support spring centre | | 8 | |
| 5 | 996 521 333 00 | spring centre | | 8 | |
| 6 | 996 521 331 01 | spring lower | | 4 | |
| 7 | 996 521 365 00 | support spring lower | | 4 | |
| 8 | 996 624 321 00 | engine for backrest adjustment | | 2 | |
| 9 | 999 924 129 40 | bush 6 X 4,5 x 12 | | 4 | |
| 10 | 999 073 141 02 | oval-head screw M 6 X 42,5 | | 2 | |
| 11 | 999 507 597 01 | clamping washer 10,0 | | 4 | |
| 12 | 999 507 598 02 | speed nut M 5 | | 8 | |
| 13 | 999 513 063 40 | cable holder 12,0 - 35 | | 4 | |
| 14 | 999 651 313 07 | cable clamp 6,0 | | 2 | |
| 15 | 999 141 028 02 | pan-head screw M 5 X 10 | | 3 | M509 |
| 16 | 996 521 674 00 | support fire extinguisher | /LL/R | 1 | M509 |
| (16) | 996 521 673 00 | support fire extinguisher | /RL/L | 1 | M509 |
| 17 | N 044 734 1 | pan-head screw M 5 X 15 | | 2 | M509 |

| | | | | | | | | | | | |
|-------|------|----|----|--------------|--------------|-----|-------|------------|---------|-----|---------|
| Model | Year | MG | SG | Illustration | Restrictions | UPD | 20:11 | 24.01.2010 | PORSCHE | PET | PORSCHE |
| 996T | 2005 | 8 | 17 | 817-40 | | 248 | | | | | |

| Pos | Part Number | Description | Remark | Qty | Model | Pos | Part Number | Description | Remark | Qty | Model |
|------|----------------|---|--------|-----|-------|-----|-------------|-------------|--------|-----|-------|
| 18 | 900 151 027 02 | washer 5,3 | | 2 | M509 | | | | | | |
| 19 | 996 521 607 00 | cup fire extinguisher | | 1 | M509 | | | | | | |
| 20 | 996 722 115 00 | fire extinguisher Information available Information available | | 1 | M509 | | | | | | |
| 21 | 999 507 067 02 | speed nut M 5 | | 2 | M509 | | | | | | |
| 22 | 996 521 227 00 | seat frame | | 1 | | | | | | | |
| 23 | 996 521 681 01 | bearing pin complete | | 1 | | | | | | | |
| 24 | 999 141 027 02 | oval-head screw M 8 X 10 | | 8 | | | | | | | |
| 25 | 996 521 343 01 | drive shaft for backrest adjustment | | 2 | | | | | | | |
| 26 | 999 522 032 00 | tension spring 0,7 X 7,5 X 15 | | 4 | | | | | | | |
| 27 | 999 703 474 40 | stopper 5,4 X 15 X 7,5 | -04 | 4 | | | | | | | |
| (27) | 999 703 102 40 | stopper 4,5 X 6,9 X 11,2 | 05- | 4 | | | | | | | |
| 28 | N 900 114 02 | clamping washer 4 | | 4 | | | | | | | |
| 29 | 996 521 185 00 | cable | | 4 | | | | | | | |
| 30 | 996 521 175 00 | backrest locking lever | | 2 | | | | | | | |
| 31 | 996 521 195 00 | clutch power spring | | 2 | | | | | | | |
| 32 | 996 521 403 00 | rubber buffer | | 2 | | | | | | | |

| | | | | | | | | | | | |
|-------|------|----|----|--------------|--------------|-----|-------|------------|---------|-----|---------|
| Model | Year | MG | SG | Illustration | Restrictions | UPD | 20:12 | 24.01.2010 | PORSCHE | PET | PORSCHE |
| 996T | 2005 | 8 | 17 | 817-45 | | 248 | | | | | |

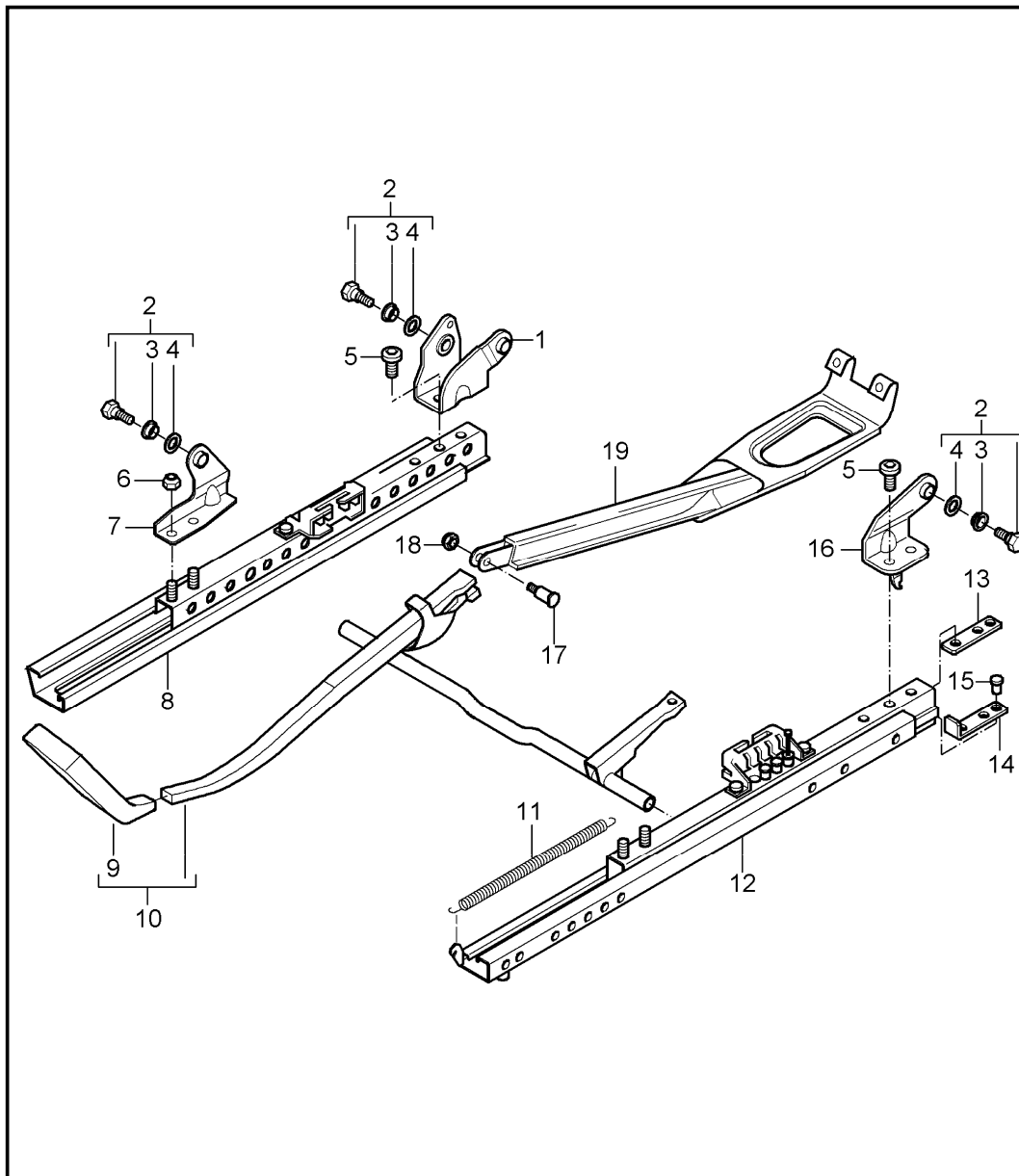


| Pos | Part Number | Description | Remark | Qty | Model |
|------|----------------|--|--------|-----|-----------|
| | | seat adjuster sports seat with height adjustment | | | TURBO/GT2 |
| 1 | 996 521 641 00 | pipe rear | /L | 1 | M375 |
| (1) | 996 521 642 00 | pipe rear | /R | 1 | M376 |
| 3 | 999 209 051 00 | spacer sleeve 12,4 X 2,8 | | 2 | |
| 4 | 996 521 259 02 | screw mount seat-belt buckle | | 4 | |
| - | 996 521 681 00 | bearing pin seat frame | /V | 4 | |
| 5 | 986 521 659 00 | screw adapter | | 8 | |
| 6 | 999 311 008 01 | square screw mount gas-pressure spring M 5 X 23,6 | | 2 | |
| 7 | 986 521 687 00 | nut mount gas-pressure spring | | 2 | |
| 8 | 996 521 615 01 | gas-pressure spring | | 1 | M539/540 |
| 9 | 900 910 003 07 | hexagon nut adapter M 8 | | 8 | |
| (10) | 986 521 679 00 | adapter seat frame front | /L | 2 | M375/376 |
| 10 | 986 521 680 00 | adapter seat frame front | /R | 2 | M375/376 |
| (11) | 996 521 692 01 | seat rail inner | | 1 | M375 |
| 11 | 996 521 691 01 | seat rail inner | | 1 | M376 |
| 12 | 996 521 617 01 | handle seat adjuster | /L | 1 | M375 |

| | | | | | | | | | | | |
|-------|------|----|----|--------------|--------------|-----|-------|------------|---------|-----|---------|
| Model | Year | MG | SG | Illustration | Restrictions | UPD | 20:12 | 24.01.2010 | PORSCHE | PET | PORSCHE |
| 996T | 2005 | 8 | 17 | 817-45 | | 248 | | | | | |

| Pos | Part Number | Description | Remark | Qty | Model | Pos | Part Number | Description | Remark | Qty | Model |
|------|----------------|------------------------------------|--------|-----|----------|-----|-------------|-------------|--------|-----|-------|
| (12) | 996 521 618 01 | handle seat adjuster | /R | 1 | M376 | | | | | | |
| 13 | 996 521 621 02 | lever seat adjuster complete | /L | 1 | M375 | | | | | | |
| (13) | 996 521 622 02 | lever seat adjuster complete | /R | 1 | M376 | | | | | | |
| 14 | 996 521 645 00 | clutch power spring | | 2 | M375/376 | | | | | | |
| 15 | 996 521 689 01 | seat rail outer | | 1 | M375 | | | | | | |
| (15) | 996 521 690 01 | seat rail outer | | 1 | M376 | | | | | | |
| 16 | 986 521 643 00 | threaded plate | | 4 | M375/376 | | | | | | |
| (17) | 996 521 603 01 | stop short | | 4 | M375/376 | | | | | | |
| 18 | 996 521 601 00 | fixing clip stop | | 4 | | | | | | | |
| 19 | 996 521 675 00 | adjusting mechanism | /L | 1 | M539 | | | | | | |
| (19) | 996 521 676 00 | adjusting mechanism | /R | 1 | M540 | | | | | | |
| 21 | 986 521 683 00 | bowden cable | | 2 | M539/540 | | | | | | |
| 22 | 999 919 180 07 | countersunk-head screw M 5 X 18 | | 2 | | | | | | | |

| | | | | | | | | | | | |
|-------|------|----|----|--------------|--------------|-----|-------|------------|---------|-----|---------|
| Model | Year | MG | SG | Illustration | Restrictions | UPD | 20:12 | 24.01.2010 | PORSCHE | PET | PORSCHE |
| 996T | 2005 | 8 | 17 | 817-50 | | 248 | | | | | |

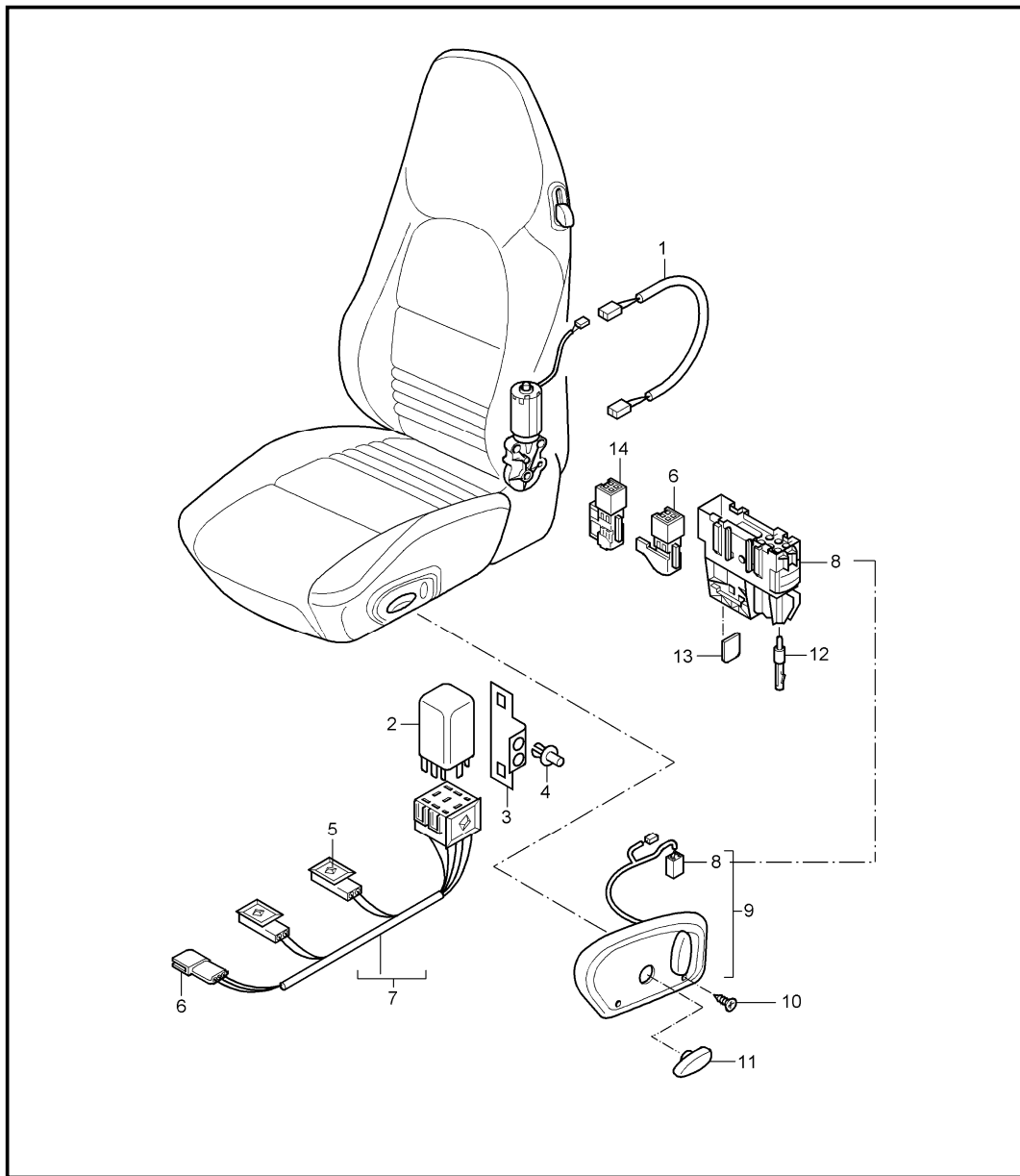


| Pos | Part Number | Description | Remark | Qty | Model |
|------|----------------|--|--------|-----|-----------|
| | | seat adjuster sports seat without height adjustment | | | TURBO/GT2 |
| (1) | 986 521 639 00 | adapter seat-belt buckle seat frame inner rear | /L | 1 | |
| 1 | 986 521 640 00 | adapter seat-belt buckle seat frame inner rear | /R | 1 | |
| 2 | 996 521 259 02 | screw complete | | 8 | |
| 3 | 999 924 156 00 | bush 12 X 14 X 6,5 | | 4 | |
| 4 | 999 209 051 00 | spacer sleeve | | 2 | |
| 5 | 986 521 659 00 | screw | | 8 | |
| 6 | 900 910 003 07 | hexagon nut adapter M 8 | | 8 | |
| (7) | 986 521 679 00 | adapter | /L | 2 | |
| 7 | 986 521 680 00 | adapter seat frame front | /R | 2 | |
| 8 | 996 521 692 01 | seat rail inner | /R | 1 | M369/375 |
| (8) | 996 521 691 01 | seat rail inner | /L | 1 | M370/376 |
| 9 | 996 521 617 01 | handle | /L | 1 | M369/375 |
| (9) | 996 521 618 01 | handle | /R | 1 | M370/376 |
| 10 | 996 521 621 01 | lever complete | /L | 1 | M369/375 |
| (10) | 996 521 622 01 | lever complete | /R | 1 | M370/376 |
| 11 | 996 521 645 00 | clutch power spring | | 2 | |
| 12 | 996 521 689 01 | seat rail outer | /L | 1 | M369/375 |

| | | | | | | | | | | | |
|-------|------|----|----|--------------|--------------|-----|-------|------------|---------|-----|---------|
| Model | Year | MG | SG | Illustration | Restrictions | UPD | 20:12 | 24.01.2010 | PORSCHE | PET | PORSCHE |
| 996T | 2005 | 8 | 17 | 817-50 | | 248 | | | | | |

| Pos | Part Number | Description | Remark | Qty | Model | Pos | Part Number | Description | Remark | Qty | Model |
|------|----------------|--|--------|-----|----------------------|-----|-------------|-------------|--------|-----|-------|
| (12) | 996 521 690 01 | seat rail outer | /R | 1 | M370/376 | | | | | | |
| 13 | 986 521 643 00 | threaded plate | | 4 | | | | | | | |
| 14 | 996 521 603 01 | stop | | 4 | | | | | | | |
| 15 | 996 521 601 00 | fixing clip stop | | 4 | | | | | | | |
| 16 | 986 521 691 00 | adapter seat frame rear outer | /L | 1 | | | | | | | |
| (16) | 986 521 690 00 | adapter seat frame rear outer | /R | 1 | | | | | | | |
| 17 | 999 311 008 01 | square screw M 5 X 23,6 | | 1 | | | | | | | |
| 18 | 986 521 687 00 | nut | | 1 | | | | | | | |
| 19 | 986 521 667 00 | seat adjuster guard | | 1 | | | | | | | |
| 21 | 996 521 665 00 | stop telephone inner | | 1 | M614/618 M540/663 | | | | | | |

| | | | | | | | | | | | |
|-------|------|----|----|--------------|--------------|-----|-------|------------|---------|-----|---------|
| Model | Year | MG | SG | Illustration | Restrictions | UPD | 20:12 | 24.01.2010 | PORSCHE | PET | PORSCHE |
| 996T | 2005 | 8 | 17 | 817-60 | | 248 | | | | | |

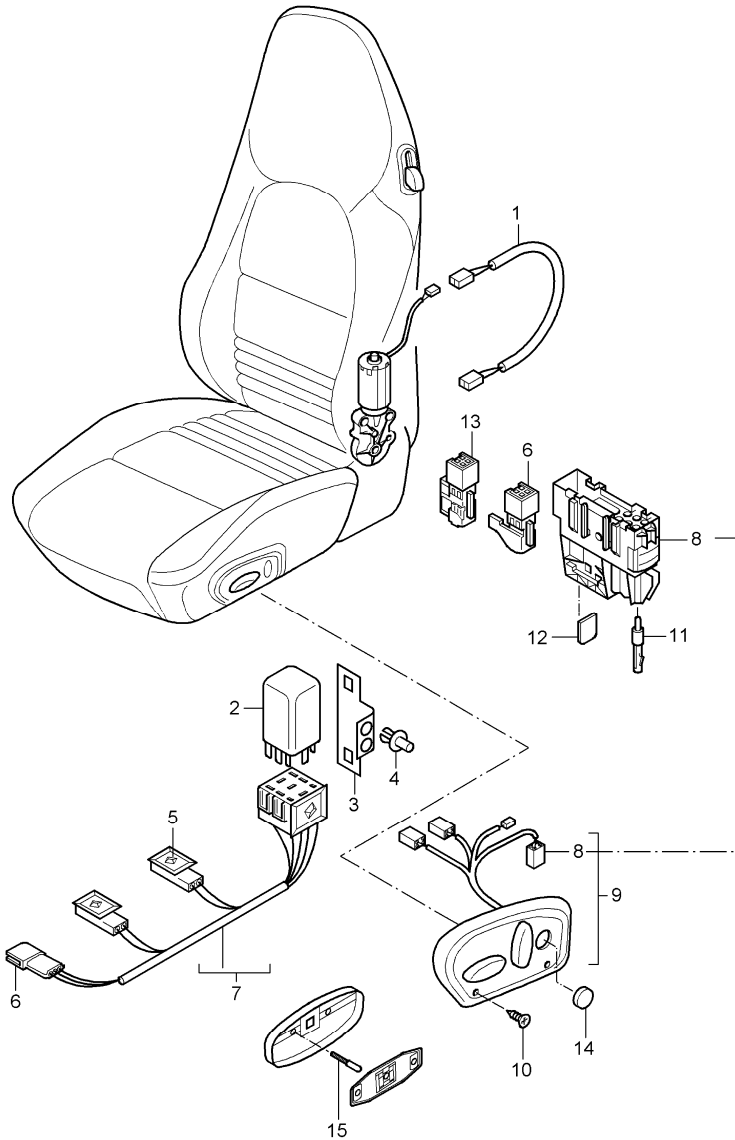


| Pos | Part Number | Description | Remark | Qty | Model |
|-----|----------------|--|--------|-----|-----------|
| | | wiring harnesses switch standard seat sports seat | | | TURBO/GT2 |
| 1 | 996 612 543 00 | wiring harness for backrest adjustment | | 2 | |
| 2 | 996 618 521 00 | control unit seat heater | | 2 | M342 |
| 3 | 996 618 531 00 | support control unit | | 2 | M342 |
| 4 | 999 591 712 40 | expansion rivet 6,0 X 12,0 | -02 | 2 | |
| (4) | 900 143 191 02 | tapping screw support | 02- | 4 | M342 |
| 5 | 999 507 407 40 | clip | | X | |
| 6 | 999 650 216 40 | pin connector socket 4-pole | | 1 | |
| 7 | 996 612 540 01 | wiring harness seat heater | | 2 | M342 |
| 8 | 999 650 180 40 | pin connector socket 6-pole | | 2 | |
| 9 | 996 613 713 01 | switch seat adjuster | /L | 1 | M375 |
| | | A03 black | | | |
| | | C53 graphite grey | | | |
| | | S33 savanna | | | |
| | | G13 metropole blue | | | |
| | | M33 boxster red | | | |
| | | P13 cinnamon brown | | | |
| (9) | 996 613 714 01 | switch seat adjuster | /R | 1 | M376 |
| | | A03 black | | | |
| | | C53 graphite grey | | | |
| | | S33 savanna | | | |
| | | G13 metropole blue | | | |

| | | | | | | | | | | | |
|-------|------|----|----|--------------|--------------|-----|-------|------------|---------|-----|---------|
| Model | Year | MG | SG | Illustration | Restrictions | UPD | 20:12 | 24.01.2010 | PORSCHE | PET | PORSCHE |
| 996T | 2005 | 8 | 17 | 817-60 | | 248 | | | | | |

| Pos | Part Number | Description | Remark | Qty | Model | Pos | Part Number | Description | Remark | Qty | Model |
|-----|----------------|------------------------------------|--------|-----|-----------|------|----------------|--|--------|-----|-------|
| | M33 | boxster red | | | | 11 | 986 521 627 00 | handle height adjustment electrically adjustable | /L | 1 | M539 |
| | P13 | cinnamon brown | | | | | | | | | |
| (9) | 986 613 980 00 | switch | /L | 1 | IXSD/M375 | (11) | 986 521 628 00 | handle height adjustment electrically adjustable | /R | 1 | M540 |
| | S30 | savanna | | | | | | | | | |
| | 8YR | black | | | | 12 | 999 650 225 40 | pin 2,5 | | 2 | |
| | C50 | graphite grey | | | | | | | | | |
| | G10 | metropole blue | | | | 13 | 999 652 960 40 | lid | | 2 | |
| | B50 | space grey | | | | 14 | 999 650 218 40 | pin connector socket 4-pole | | 2 | M342 |
| | J30 | nephrite green | | | | (14) | 999 650 216 40 | pin connector socket 4-pole | | 2 | |
| | M30 | boxster red | | | | | | | | | |
| | VRJ | black | | | | | | | | | |
| | D11 | dark grey/natural | | | | | | | | | |
| | T11 | brown/natural | | | | | | | | | |
| | P11 | cinnamon brown | | | | | | | | | |
| (9) | 986 613 981 00 | switch | /R | 1 | IXSD/M376 | | | | | | |
| | S30 | savanna | | | | | | | | | |
| | 8YR | black | | | | | | | | | |
| | C50 | graphite grey | | | | | | | | | |
| | G10 | metropole blue | | | | | | | | | |
| | B50 | space grey | | | | | | | | | |
| | J30 | nephrite green | | | | | | | | | |
| | M30 | boxster red | | | | | | | | | |
| | VRJ | black | | | | | | | | | |
| | D11 | dark grey/natural | | | | | | | | | |
| | T11 | brown/natural | | | | | | | | | |
| | P11 | cinnamon brown | | | | | | | | | |
| 10 | 999 919 173 02 | countersunk-head screw 3,0 X 18 | | 4 | | | | | | | |

| | | | | | | | | | | | |
|-------|------|----|----|--------------|--------------|-----|-------|------------|---------|-----|---------|
| Model | Year | MG | SG | Illustration | Restrictions | UPD | 20:12 | 24.01.2010 | PORSCHE | PET | PORSCHE |
| 996T | 2005 | 8 | 17 | 817-65 | | 248 | | | | | |



| Pos | Part Number | Description | Remark | Qty | Model |
|-----|----------------|---|--------|-----|------------------|
| | | wiring harnesses switch | | | TURBO/GT2 |
| 1 | 996 612 543 00 | wiring harness for backrest adjustment | | 2 | |
| (1) | 996 612 544 00 | wiring harness for backrest adjustment with seating position control | | 2 | M537/538 |
| 2 | 996 618 521 00 | control unit seat heater | | 2 | M342 |
| 3 | 996 618 531 00 | support control unit | | 2 | M342 |
| 4 | 999 591 712 40 | expansion rivet 6,0 X 12,0 | -02 | 2 | |
| (4) | 900 143 191 02 | tapping screw support | 02- | 4 | M342 |
| 5 | 999 507 407 40 | clip | | X | |
| 6 | 999 650 216 40 | pin connector socket 4-pole black | | 1 | |
| 7 | 996 612 540 01 | wiring harness seat heater | | 2 | M139/340 M342 |
| 8 | 999 650 180 40 | pin connector socket 6-pole wiring harness passenger compartment | | 2 | |
| 9 | 996 613 715 01 | switch comfort seat | /RL/L | 1 | M437 |
| | P13 | cinnamon brown | | 00- | |
| | EJM | granite grey | | 98- | |
| | A03 | black | | 00- | |
| | C53 | graphite grey | | 00- | |
| | S33 | savanna | | 00- | |
| | G13 | metropole blue | | 00- | |
| | B13 | space grey | | 00- | |
| | J33 | nephrite green | | 00- | |
| | M33 | boxster red | | 00- | |

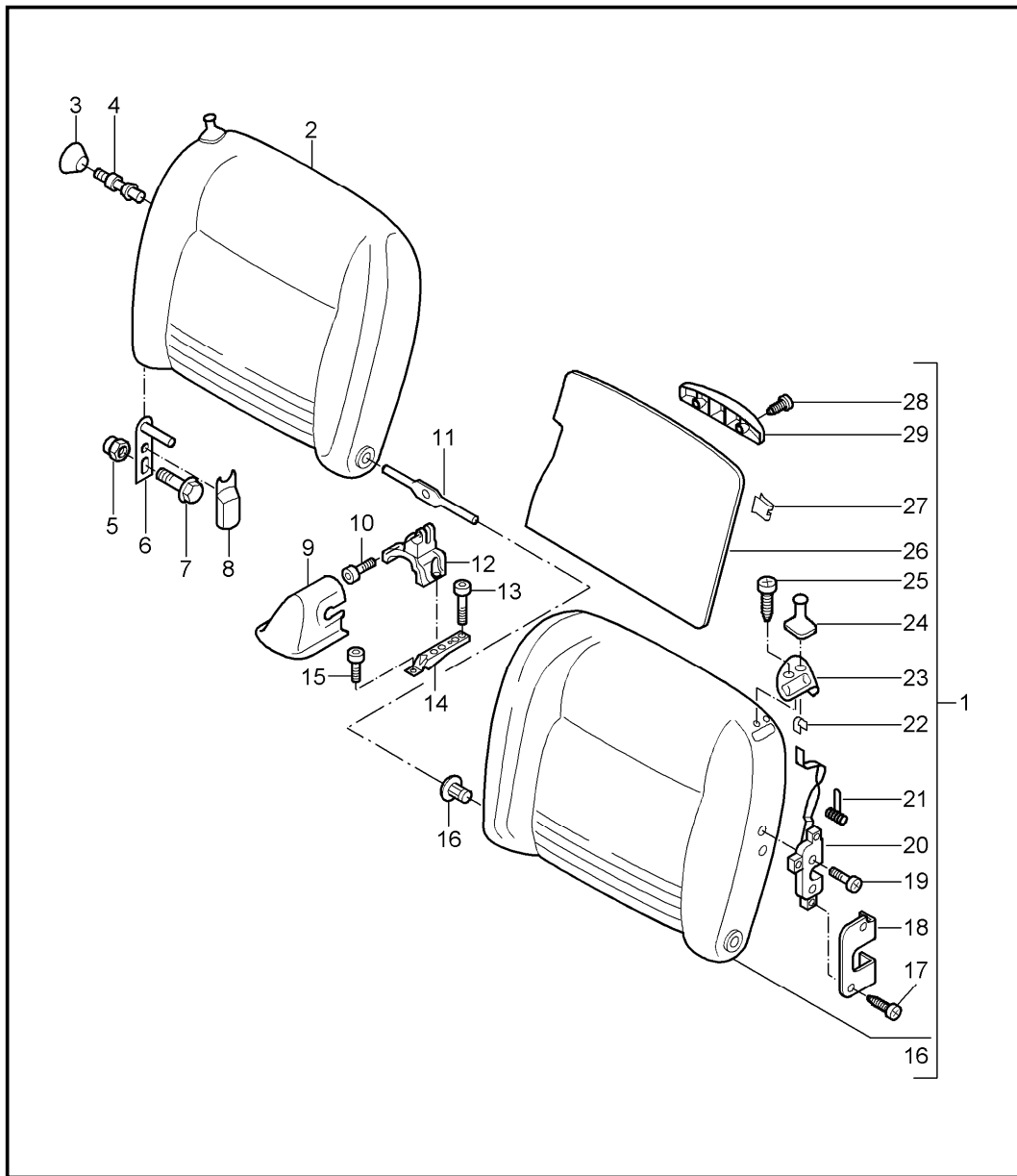
| | | | | | | | | | | | |
|-------|------|----|----|--------------|--------------|-----|-------|------------|---------|-----|---------|
| Model | Year | MG | SG | Illustration | Restrictions | UPD | 20:12 | 24.01.2010 | PORSCHE | PET | PORSCHE |
| 996T | 2005 | 8 | 17 | 817-65 | | 248 | | | | | |

| Pos | Part Number | Description | Remark | Qty | Model | Pos | Part Number | Description | Remark | Qty | Model |
|-----|----------------|--|--------|-----|----------|-----|----------------|--|--------|-----|----------------|
| (9) | 996 613 716 01 | switch comfort seat complete | /R | 1 | M438 | (9) | 996 613 720 01 | switch comfort seat seating position control complete | /RL/R | 1 | M438/538 |
| | A03 | black | | 00- | | | A03 | black | | | |
| | C53 | graphite grey | | 00- | | | C53 | graphite grey | | | |
| | S33 | savanna | | 00- | | | S33 | savanna | | | |
| | G13 | metropole blue | | 00- | | | G13 | metropole blue | | | |
| | B13 | space grey | | 00- | | | J33 | nephrite green | | | |
| | J33 | nephrite green | | 00- | | | M33 | boxster red | | | |
| | M33 | boxster red | | 00- | | | B13 | space grey | | | |
| | P13 | cinnamon brown | | 01- | | | P13 | cinnamon brown | | | |
| | EJM | granite grey | | 98- | | | 01C | satin black | | | |
| (9) | 996 613 717 01 | switch comfort seat lumbar support complete | /RL/L | 1 | M437/586 | (9) | 996 613 721 01 | switch | /L | 99- | 1 M437/537/586 |
| | EJM | granite grey | | | | | A03 | black | | | |
| | A03 | black | | | | | C53 | graphite grey | | | |
| (9) | 996 613 718 01 | switch comfort seat lumbar support complete | /R | 1 | M438/513 | | G13 | metropole blue | | | |
| | EJM | granite grey | | | | | J33 | nephrite green | | | |
| | A03 | black | | | | | M33 | boxster red | | | |
| (9) | 996 613 719 01 | switch | /L | 1 | M437/537 | (9) | 996 613 722 01 | switch comfort seat seating position control lumbar support complete | /RL/R | 1 | M438/513/538 |
| | A03 | black | | 00- | | | A03 | black | | 00- | |
| | C53 | graphite grey | | 00- | | | C53 | graphite grey | | 00- | |
| | S33 | savanna | | 00- | | | S33 | savanna | | 00- | |
| | G13 | metropole blue | | 00- | | | G13 | metropole blue | | 00- | |
| | J33 | nephrite green | | 00- | | | J33 | nephrite green | | 00- | |
| | M33 | boxster red | | 00- | | | M33 | boxster red | | 00- | |
| | EJM | granite grey | | 00- | | | | | | | |
| | P13 | cinnamon brown | | | | | | | | | |

| | | | | | | | | | | | |
|-------|------|----|----|--------------|--------------|-----|-------|------------|---------|-----|---------|
| Model | Year | MG | SG | Illustration | Restrictions | UPD | 20:12 | 24.01.2010 | PORSCHE | PET | PORSCHE |
| 996T | 2005 | 8 | 17 | 817-65 | | 248 | | | | | |

| Pos | Part Number | Description | Remark | Qty | Model | Pos | Part Number | Description | Remark | Qty | Model |
|-----|----------------|---|--------|-----|----------|-----|-------------|-------------|--------|-----|-------|
| | P13 | cinnamon brown | 01- | | | | | | | | |
| 10 | 999 919 173 02 | countersunk-head screw 3,0 X 18 | | 4 | | | | | | | |
| 11 | 999 650 225 40 | pin 2,5 | | 2 | | | | | | | |
| 12 | 999 652 960 40 | lid | | 2 | | | | | | | |
| 13 | 999 650 218 40 | pin connector socket 4-pole white | | 2 | | | | | | | |
| 14 | 996 521 327 00 | cover lumbar support | | X | M437/438 | | | | | | |
| 15 | 996 613 955 00 | control button seat adjuster repair kit | - | 1 | M437/438 | | | | | | |

| | | | | | | | | | | | |
|-------|------|----|----|--------------|--------------|-----|-------|------------|---------|-----|---------|
| Model | Year | MG | SG | Illustration | Restrictions | UPD | 20:12 | 24.01.2010 | PORSCHE | PET | PORSCHE |
| 996T | 2005 | 8 | 17 | 817-70 | | 248 | | | | | |



| Pos | Part Number | Description | Remark | Qty | Model |
|-----|----------------|--|--------|-----|--------|
| 1 | 996 522 011 02 | back seat backrest back seat backrest leather/carpet | /L | -01 | 1 M936 |
| | B50 | space grey | | | |
| | C50 | graphite grey | | | |
| | D11 | dark grey/natural | | | |
| | EVK | black-black | | | |
| | G10 | metropole blue | | | |
| | J30 | nephrite green | | | |
| | M30 | boxster red | | | |
| | P11 | cinnamon brown | | | |
| | S30 | savanna | | | |
| | T11 | brown/natural | | | |
| | 8YR | black-black | | | |
| 1 | 996 522 012 02 | back seat backrest leather/carpet | /R | -01 | 1 M936 |
| | B50 | space grey | | | |
| | C50 | graphite grey | | | |
| | D11 | dark grey/natural | | | |
| | EVK | black-black | | | |
| | G10 | metropole blue | | | |
| | J30 | nephrite green | | | |
| | M30 | boxster red | | | |
| | P11 | cinnamon brown | | | |
| | S30 | savanna | | | |
| | T11 | brown/natural | | | |
| | 8YR | black-black | | | |
| (1) | 996 522 011 11 | back seat backrest leather | /L | 02- | 1 M936 |
| | EVK | black | | | |

| | | | | | | | | | | | |
|-------|------|----|----|--------------|--------------|-----|-------|------------|---------|-----|---------|
| Model | Year | MG | SG | Illustration | Restrictions | UPD | 20:12 | 24.01.2010 | PORSCHE | PET | PORSCHE |
| 996T | 2005 | 8 | 17 | 817-70 | | 248 | | | | | |

| Pos | Part Number | Description | Remark | Qty | Model | Pos | Part Number | Description | Remark | Qty | Model |
|-----|----------------|-------------------------------|--------|-----|--------|-----|----------------|--|--------|-----|--------|
| | C50 | graphite grey | | | | | P11 | cinnamon brown | | | |
| | S30 | savanna | | | | (1) | 996 522 012 03 | back seat backrest draped leather carpet | /R | -02 | 1 M939 |
| | G10 | metropole blue | | | | | B50 | space grey/space grey | | 98- | |
| | J30 | nephrite green | | | | | C50 | graphite grey/graphite gr. | | 98- | |
| | M30 | boxster red | | | | | G10 | metropole bl./metrop. blue | | 98- | |
| | P11 | cinnamon brown | | | | | S30 | savanna/savanna | | 98- | |
| | D11 | dark grey/natural | | | | | J30 | nephrite gr./nephr. green | | 98- | |
| | T11 | brown/natural | | | | | M30 | boxster red/boxster red | | 98- | |
| (1) | 996 522 012 11 | back seat backrest leather | /R | 02- | 1 M936 | | EVK | black/black | | 00- | |
| | EVK | black | | | | | D11 | dark grey/natural | | 00- | |
| | C50 | graphite grey | | | | | T11 | brown/natural | | | |
| | S30 | savanna | | | | | P11 | cinnamon brown | | | |
| | G10 | metropole blue | | | | (1) | 996 522 011 12 | back seat backrest | /L | 02- | 1 M939 |
| | J30 | nephrite green | | | | | EVK | black | | | |
| | M30 | boxster red | | | | | C50 | graphite grey | | | |
| | P11 | cinnamon brown | | | | | S30 | savanna | | | |
| | D11 | dark grey/natural | | | | | G10 | metropole blue | | | |
| | T11 | brown/natural | | | | | J30 | nephrite green | | | |
| (1) | 996 522 011 03 | back seat backrest | /L | -02 | 1 M939 | | M30 | boxster red | | | |
| | B50 | space grey/space grey | | | | | P11 | cinnamon brown | | | |
| | C50 | graphite grey/graphite gr. | | | | | D11 | dark grey/natural | | | |
| | G10 | metropole bl./metrop. blue | | | | | T11 | brown/natural | | | |
| | S30 | savanna/savanna | | | | (1) | 996 522 012 12 | back seat backrest draped leather | /R | 02- | 1 M939 |
| | J30 | nephrite gr./nephr. green | | | | | EVK | black | | | |
| | M30 | boxster red/boxster red | | | | | C50 | graphite grey | | | |
| | EVK | black/black | | | | | S30 | savanna | | | |
| | D11 | dark grey/natural | | | | | G10 | metropole blue | | | |
| | T11 | brown/natural | | | | | | | | | |

| | | | | | | | | | | | |
|-------|------|----|----|--------------|--------------|-----|-------|------------|---------|-----|---------|
| Model | Year | MG | SG | Illustration | Restrictions | UPD | 20:12 | 24.01.2010 | PORSCHE | PET | PORSCHE |
| 996T | 2005 | 8 | 17 | 817-70 | | 248 | | | | | |

| Pos | Part Number | Description | Remark | Qty | Model | Pos | Part Number | Description | Remark | Qty | Model |
|-----|----------------|--|--------|-----|----------|-----|----------------|---|--------|-----|-------|
| | J30 | nephrite green | | | | | D11 | dark grey/natural | | | |
| | M30 | boxster red | | | | | T11 | brown/natural | | | |
| | P11 | cinnamon brown | | | | (2) | 996 522 221 07 | cover back seat backrest | 02- | 1 | M939 |
| | D11 | dark grey/natural | | | | | ETO | black | | | |
| | T11 | brown/natural | | | | | C50 | graphite grey | | | |
| (1) | 996 522 011 16 | back seat backrest | 04- | 1 | M936/971 | | S30 | savanna | | | |
| | VTG | dark grey/natural | | | | | G10 | metropole blue | | | |
| | VTK | brown/natural | 05- | | | | J30 | nephrite green | | | |
| (1) | 996 522 012 16 | back seat backrest leather special model | 04- | 1 | M936/971 | | M30 | boxster red | | | |
| | VTG | dark grey/natural | | | | | P11 | cinnamon brown | | | |
| | VTK | brown/natural | 05- | | | | D11 | dark grey/natural | | | |
| 2 | 996 522 221 02 | cover back seat backrest | -01 | 1 | M936 | (2) | 996 522 222 02 | cover backrest back seat backrest | -01 | 1 | M939 |
| | 8YR | black | | | | | 8YR | black | | | |
| | C50 | graphite grey | | | | | C50 | graphite grey | | | |
| | S30 | savanna | | | | | S30 | savanna | | | |
| | G10 | metropole blue | | | | | B50 | space grey | | | |
| | B50 | space grey | | | | | B50 | space grey | | | |
| | J30 | nephrite green | | | | | J30 | nephrite green | | | |
| | M30 | boxster red | | | | | M30 | boxster red | | | |
| (2) | 996 522 221 06 | cover back seat backrest | 02- | 1 | M936 | (2) | 996 522 222 06 | cover back seat backrest | 02- | 1 | M936 |
| | ETO | black | | | | | ETO | black | | | |
| | C50 | graphite grey | | | | | C50 | graphite grey | | | |
| | S30 | savanna | | | | | S30 | savanna | | | |
| | G10 | metropole blue | | | | | G10 | metropole blue | | | |
| | J30 | nephrite green | | | | | J30 | nephrite green | | | |
| | M30 | boxster red | | | | | M30 | boxster red | | | |
| | P11 | cinnamon brown | | | | | | | | | |

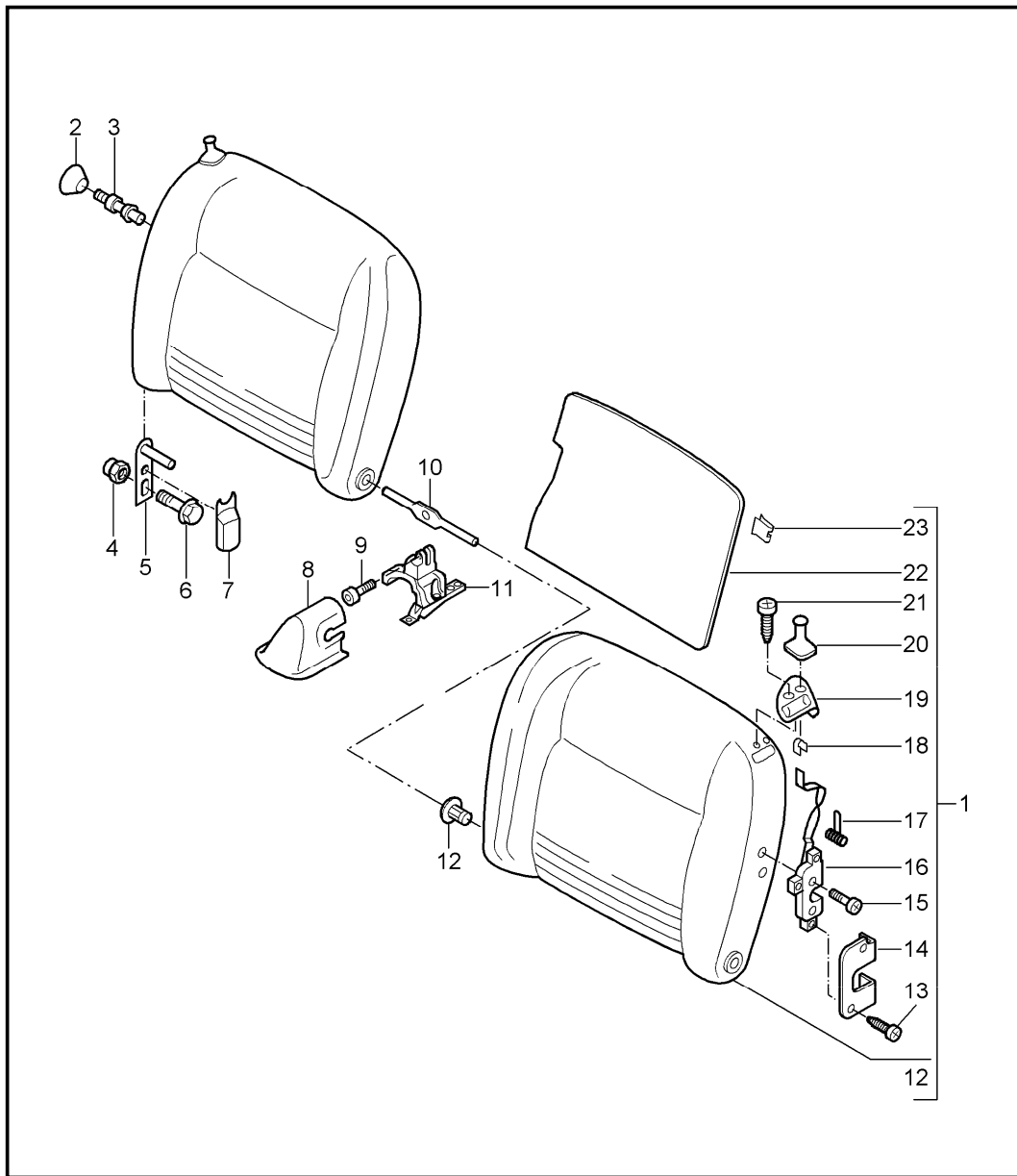
| | | | | | | | | | | | |
|-------|------|----|----|--------------|--------------|-----|-------|------------|---------|-----|---------|
| Model | Year | MG | SG | Illustration | Restrictions | UPD | 20:12 | 24.01.2010 | PORSCHE | PET | PORSCHE |
| 996T | 2005 | 8 | 17 | 817-70 | | 248 | | | | | |

| Pos | Part Number | Description | Remark | Qty | Model | Pos | Part Number | Description | Remark | Qty | Model |
|-----|----------------|-----------------------------|--------|-----|-------|------|----------------|------------------------------------|--------|-----|-------|
| | P11 | cinnamon brown | | | | | 01C | satin black | | | |
| | D11 | dark grey/natural | | | | 10 | 900 067 358 09 | combination screw M 5 X 16 | | 1 | IXSN |
| | T11 | brown/natural | | | | 11 | 996 522 615 00 | bearing shaft | -02 | 1 | |
| (2) | 996 522 222 07 | cover back seat backrest | 02- | 1 | M936 | (11) | 996 522 615 01 | bearing shaft | 02- | 1 | |
| | ETO | black | | | | 12 | 996 522 333 00 | bracket bearing centre | | 1 | IXSN |
| | C50 | graphite grey | | | | 13 | 999 073 188 09 | oval-head screw M 6 X 25 | /H | 2 | IXSN |
| | S30 | savanna | | | | 14 | 996 522 261 00 | bearing bracket centre | | 2 | IXSN |
| | G10 | metropole blue | | | | 15 | 999 073 151 09 | oval-head screw M 6 X 12 | /V | 2 | IXSN |
| | J30 | nephrite green | | | | 16 | 996 522 571 00 | protection washer | | 1 | |
| | M30 | boxster red | | | | | 01C | satin black | | | |
| | P11 | cinnamon brown | | | | 17 | 999 073 049 02 | tapping screw ST 3,5 X 16 | | 4 | |
| | D11 | dark grey/natural | | | | 18 | 996 522 771 00 | cover | /L | 1 | |
| | T11 | brown/natural | | | | | 01C | satin black | | | |
| 3 | 996 522 097 04 | rosette | -03 | 2 | | (18) | 996 522 772 00 | cover | /R | 1 | |
| | 01C | satin black | | | | | 01C | satin black | | | |
| (3) | 996 522 097 06 | rosette | -03 | 2 | | | 01C | satin black | | | |
| | 01C | satin black | | | | | 01C | satin black | | | |
| (3) | 996 522 097 08 | rosette | 03- | 2 | | 19 | 900 269 028 02 | countersunk-head screw M 8 X 30 | | 4 | |
| | 01C | satin black | | | | 20 | 996 522 281 02 | lock | /L | 1 | |
| 4 | 996 522 267 04 | bolt | -01 | 2 | | (20) | 996 522 282 02 | lock | /R | 1 | |
| (4) | 996 522 267 06 | bolt | 02- | 2 | | 21 | 996 522 653 00 | spring | | 2 | |
| 5 | 996 522 271 00 | bush | | 2 | | 22 | 999 507 630 01 | clamp 2,0 | | 2 | |
| 6 | 996 522 211 01 | bearing outer | | 2 | | 23 | 996 522 315 00 | rosette | /L | 1 | |
| 7 | 999 073 138 09 | screw M 8 X 25 | | 2 | | | 01C | satin black | | | |
| 8 | 996 522 425 01 | cover | | 1 | | (23) | 996 522 316 00 | rosette | /R | 1 | |
| | 01C | satin black | | | | | 01C | satin black | | | |
| 9 | 996 522 431 02 | cover | | 1 | IXSN | | 01C | satin black | | | |

| | | | | | | | | | | | |
|-------|------|----|----|--------------|--------------|-----|-------|------------|---------|-----|---------|
| Model | Year | MG | SG | Illustration | Restrictions | UPD | 20:12 | 24.01.2010 | PORSCHE | PET | PORSCHE |
| 996T | 2005 | 8 | 17 | 817-70 | | 248 | | | | | |

| Pos | Part Number | Description | Remark | Qty | Model | Pos | Part Number | Description | Remark | Qty | Model |
|------|----------------|-----------------------------|--------|-----|-------|-----|-------------|-------------|--------|-----|-------|
| 24 | 996 522 321 01 | actuating lever | /L | 1 | | | 01C | satin black | | | |
| | 01C | satin black | | | | | | | | | |
| (24) | 996 522 322 01 | actuating lever | /R | 1 | | | | | | | |
| | 01C | satin black | | | | | | | | | |
| 25 | 900 145 041 07 | tapping screw B 3,5 X 16 | | 4 | | | | | | | |
| 26 | 996 522 173 00 | carpet fine tuft velour | /L | 1 | | | | | | | |
| | A10 | black | | | | | | | | | |
| | B50 | space grey | | | | | | | | | |
| | C50 | graphite grey | | | | | | | | | |
| | G10 | metropole blue | | | | | | | | | |
| | S30 | savanna | | | | | | | | | |
| | J30 | nephrite green | | | | | | | | | |
| | M30 | boxster red | | | | | | | | | |
| (26) | 996 522 174 00 | carpet fine tuft velour | /R | 1 | | | | | | | |
| | A10 | black | | | | | | | | | |
| | B50 | space grey | | | | | | | | | |
| | C50 | graphite grey | | | | | | | | | |
| | G10 | metropole blue | | | | | | | | | |
| | S30 | savanna | | | | | | | | | |
| | J30 | nephrite green | | | | | | | | | |
| | M30 | boxster red | | | | | | | | | |
| 27 | 999 507 593 01 | u-clamp 1,25 - 1,50 | | X | | | | | | | |
| 28 | 999 073 050 02 | tapping screw 3,5 X 19 | | 4 | | | | | | | |
| 29 | 993 522 421 00 | stop | | -01 | 2 | | | | | | |
| | 01C | satin black | | | | | | | | | |
| (29) | 996 522 421 00 | stop | | 02- | 2 | | | | | | |

| | | | | | | | | | | | |
|-------|------|----|----|--------------|--------------|-----|-------|------------|---------|-----|---------|
| Model | Year | MG | SG | Illustration | Restrictions | UPD | 20:13 | 24.01.2010 | PORSCHE | PET | PORSCHE |
| 996T | 2005 | 8 | 17 | 817-75 | | 248 | | | | | |



| Pos | Part Number | Description | Remark | Qty | Model |
|-----|----------------|---------------------------------------|--------|-----|--------------|
| 1 | 996 522 011 05 | back seat backrest | | 98- | TURBO/CABRIO |
| | | back seat backrest leatherette/carpet | /L | -01 | 1 |
| | A10 | black/black | | -99 | |
| | B50 | space grey/space grey | | -99 | |
| | C50 | graphite grey/graphite gr. | | -99 | |
| | G10 | metropole bl./metrop. blue | | -99 | |
| | S30 | savanna/savanna | | -99 | |
| | C52 | graphite grey/graphite gr. | | 00- | |
| | S32 | savanna/savanna | | 00- | |
| | G12 | metropole bl./metrop. blue | | 00- | |
| 1 | 996 522 012 05 | back seat backrest leatherette/carpet | /R | -01 | 1 |
| | A10 | black/black | | -99 | |
| | B50 | space grey/space grey | | -99 | |
| | C50 | graphite grey/graphite gr. | | -99 | |
| | G10 | metropole bl./metrop. blue | | -99 | |
| | S30 | savanna/savanna | | -99 | |
| | C52 | graphite grey/graphite gr. | | 00- | |
| | S32 | savanna/savanna | | 00- | |
| | G12 | metropole bl./metrop. blue | | 00- | |
| (1) | 996 522 011 13 | back seat backrest | /L | 02- | 1 |
| | EVJ | black | | | |
| | C52 | graphite grey | | | |
| | S32 | savanna | | | |
| | G12 | metropole blue | | | |
| | J32 | nephrite green | | | |
| (1) | 996 522 012 13 | back seat backrest leatherette | /R | 02- | 1 |
| | EVJ | black | | | |

| | | | | | | | | | | | |
|-------|------|----|----|--------------|--------------|-----|-------|------------|---------|-----|---------|
| Model | Year | MG | SG | Illustration | Restrictions | UPD | 20:13 | 24.01.2010 | PORSCHE | PET | PORSCHE |
| 996T | 2005 | 8 | 17 | 817-75 | | 248 | | | | | |

| Pos | Part Number | Description | Remark | Qty | Model | Pos | Part Number | Description | Remark | Qty | Model |
|-----|----------------|--------------------------------------|--------|-----|-------|-----|----------------|--|--------|-----|-------|
| | C52 | graphite grey | | | | | P11 | cinnamon brown | | | |
| | S32 | savanna | | | | | D11 | dark grey/natural | | | |
| | G12 | metropole blue | | | | (1) | 996 522 011 14 | back seat backrest | /L | 02- | 1 |
| | J32 | nephrite green | | | | | EVK | black | | | |
| 1 | 996 522 011 06 | back seat backrest leather/carpet | /L | -01 | 1 | | C50 | graphite grey | | | |
| | B50 | space grey | | | | | S30 | savanna | | | |
| | C50 | graphite grey | | | | | G10 | metropole blue | | | |
| | D11 | dark grey | | | | | J30 | nephrite green | | | |
| | EVK | black | | | | | M30 | boxster red | | | |
| | G10 | metropole blue | | | | | P11 | cinnamon brown | | | |
| | J30 | nephrite green | | | | | D11 | dark grey/natural | | | |
| | M30 | boxster red | | | | | T11 | brown/natural | | | |
| | S30 | savanna | | | | (1) | 996 522 012 14 | back seat backrest leather | /R | 02- | 1 |
| | T11 | brown/natural | | | | | EVK | black | | | |
| | 8YR | black | | | | | C50 | graphite grey | | | |
| | P11 | cinnamon brown | | | | | S30 | savanna | | | |
| (1) | 996 522 012 06 | back seat backrest leather/carpet | /R | -01 | 1 | | G10 | metropole blue | | | |
| | B50 | space grey | | | | | J30 | nephrite green | | | |
| | C50 | graphite grey | | | | | M30 | boxster red | | | |
| | D11 | dark grey | | | | | P11 | cinnamon brown | | | |
| | EVK | black | | | | | D11 | dark grey/natural | | | |
| | G10 | metropole blue | | | | | T11 | brown/natural | | | |
| | J30 | nephrite green | | | | 1 | 996 522 011 07 | back seat backrest draped leather carpet | /L | -01 | 1 |
| | M30 | boxster red | | | | | 8YR | black/black | | -99 | |
| | S30 | savanna | | | | | B50 | space grey/space grey | | 98- | |
| | T11 | brown/natural | | | | | C50 | graphite grey/graphite gr. | | 98- | |
| | 8YR | black | | | | | G10 | metropole bl./metrop. blue | | 98- | |

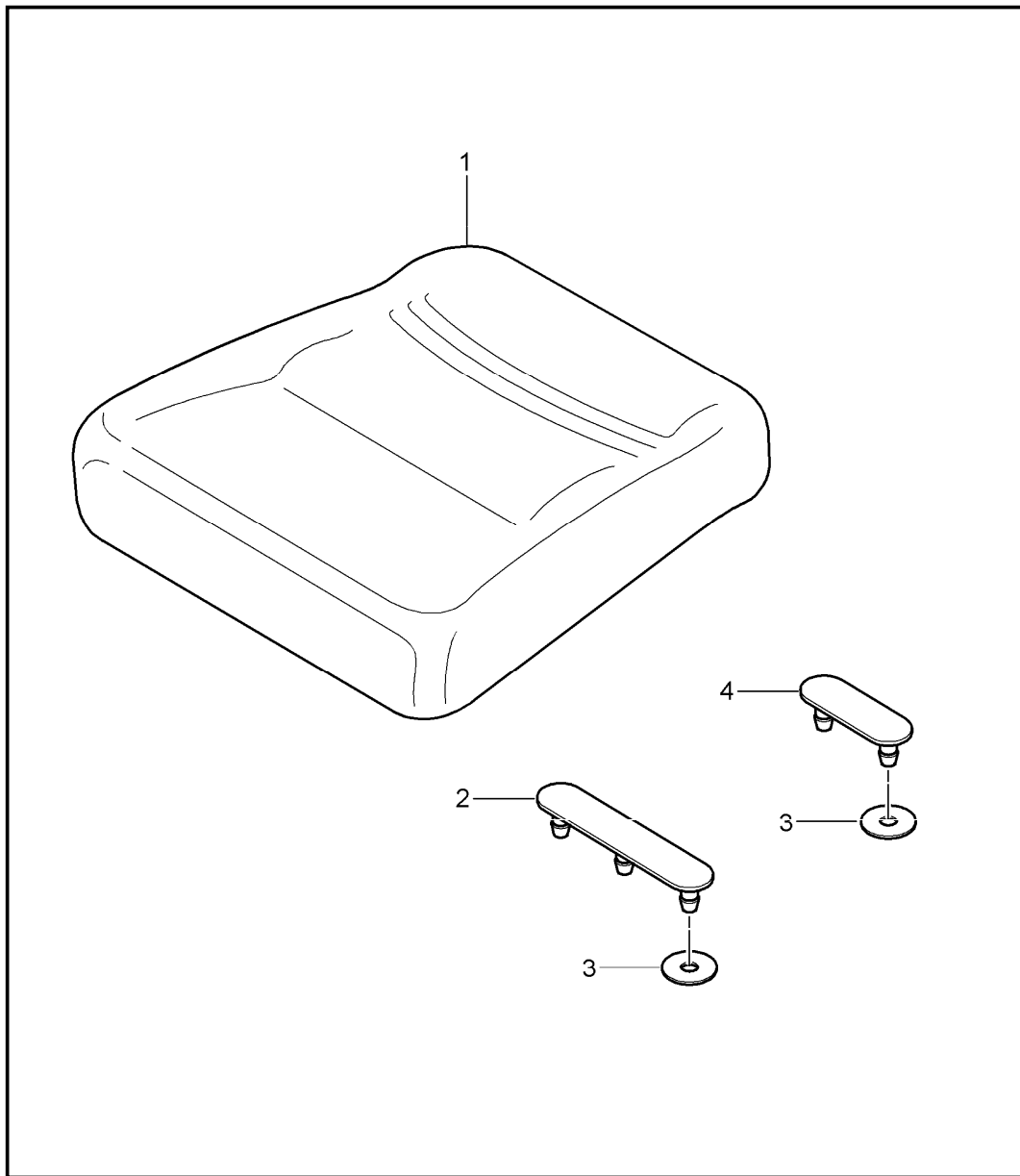
| | | | | | | | | | | | |
|-------|------|----|----|--------------|--------------|-----|-------|------------|---------|-----|---------|
| Model | Year | MG | SG | Illustration | Restrictions | UPD | 20:13 | 24.01.2010 | PORSCHE | PET | PORSCHE |
| 996T | 2005 | 8 | 17 | 817-75 | | 248 | | | | | |

| Pos | Part Number | Description | Remark | Qty | Model | Pos | Part Number | Description | Remark | Qty | Model |
|-----|----------------|--|--------|-----|-------|-----|------------------|-------------------------------|--------|-----|----------|
| | S30 | savanna/savanna | | 98- | | | G10 | metropole blue | | | |
| | J30 | nephrite gr./nephr. green | | 98- | | | J30 | nephrite green | | | |
| | M30 | boxster red/boxster red | | 98- | | | M30 | boxster red | | | |
| | EVK | black/black | | 00- | | | P11 | cinnamon brown | | | |
| (1) | 996 522 012 07 | back seat backrest draped leather carpet | /R | -01 | 1 | | D11 | dark grey/natural | | | |
| | 8YR | black/black | | -99 | | (1) | 996 522 011 17 | back seat backrest leather | 05- | 1 | M936/971 |
| | B50 | space grey/space grey | | 98- | | | VTG | darkgrey natural/grey | | | |
| | C50 | graphite grey/graphite gr. | | 98- | | | VTK | brown nat./brown nat. | | | |
| | G10 | metropole bl./metrop. blue | | 98- | | (1) | 996 522 012 17 | back seat backrest leather | 05- | 1 | M936/971 |
| | S30 | savanna/savanna | | 98- | | | VTG | darkgrey natural/grey | | | |
| | J30 | nephrite gr./nephr. green | | 98- | | | VTK | brown nat./brown nat. | | | |
| | M30 | boxster red/boxster red | | 98- | | 2 | U 996 522 097 03 | rosette | | 2 | |
| | EVK | black/black | | 00- | | | 01C | satin black | | | |
| (1) | 996 522 011 15 | back seat backrest | /L | 02- | 1 | 2 | 996 522 097 05 | rosette | -02 | 2 | |
| | EVK | black | | | | | 01C | satin black | | | |
| | C50 | graphite grey | | | | 2 | 996 522 097 08 | rosette | 03- | 2 | |
| | S30 | savanna | | | | | 01C | satin black | | | |
| | G10 | metropole blue | | | | 3 | A 996 522 267 05 | bolt | -01 | 2 | |
| | J30 | nephrite green | | | | 3 | 996 522 267 07 | bolt | 02- | 2 | |
| | M30 | boxster red | | | | 4 | 996 522 271 00 | bush | | 2 | |
| | P11 | cinnamon brown | | | | 5 | 996 522 211 01 | bearing outer | | 2 | |
| | D11 | dark grey/natural | | | | 6 | 999 073 138 09 | screw M 8 X 25 | | 2 | |
| | T11 | brown/natural | | | | 8 | 996 522 431 02 | cover | | 1 | |
| (1) | 996 522 012 15 | back seat backrest draped leather | /R | 02- | 1 | | 01C | satin black | | | |
| | EVK | black | | | | 9 | N 044 734 1 | pan-head screw M 5 X 15 | | 1 | |
| | C50 | graphite grey | | | | | | | | | |
| | S30 | savanna | | | | | | | | | |

| | | | | | | | | | | | |
|-------|------|----|----|--------------|--------------|-----|-------|------------|---------|-----|---------|
| Model | Year | MG | SG | Illustration | Restrictions | UPD | 20:13 | 24.01.2010 | PORSCHE | PET | PORSCHE |
| 996T | 2005 | 8 | 17 | 817-75 | | 248 | | | | | |

| Pos | Part Number | Description | Remark | Qty | Model | Pos | Part Number | Description | Remark | Qty | Model |
|------|------------------|------------------------------------|--------|-----|-------|------|----------------|-----------------------------|--------|-----|-------|
| 10 | U 996 522 615 00 | bearing shaft | -02 | 1 | | | 01C | satin black | | | |
| 10 | 996 522 615 01 | bearing shaft | 02- | 1 | | (20) | 996 522 322 00 | actuating lever | /R | 1 | |
| 11 | 996 522 041 00 | bearing centre | | 1 | | | 01C | satin black | | | |
| - | 999 073 151 09 | oval-head screw M 6 X 12 | /V | 2 | | (20) | 996 522 322 01 | actuating lever | /R | 1 | |
| - | 999 073 188 09 | oval-head screw M 6 X 25 | /H | 2 | | 21 | 900 145 041 07 | tapping screw B 3,5 X 16 | | 4 | |
| 12 | 996 522 571 00 | protection washer | | 1 | | 22 | 996 522 173 00 | carpet fine tuft velour | /L | 1 | |
| | 01C | satin black | | | | | A10 | black | | 98- | |
| 13 | 999 073 049 02 | tapping screw ST 3,5 X 16 | | 4 | | | B50 | space grey | | 98- | |
| 14 | 996 522 771 00 | cover | /L | 1 | | | C50 | graphite grey | | 98- | |
| | 01C | satin black | | | | | G10 | metropole blue | | 98- | |
| (14) | 996 522 772 00 | cover | /R | 1 | | | S30 | savanna | | 98- | |
| | 01C | satin black | | | | | J30 | nephrite green | | 98- | |
| 15 | 900 269 028 02 | countersunk-head screw M 8 X 30 | | 4 | | | M30 | boxster red | | 98- | |
| 16 | 996 522 281 01 | lock | | 1 | | (22) | 996 522 174 00 | carpet fine tuft velour | /R | 1 | |
| (16) | 996 522 282 02 | lock | /R | 1 | | | A10 | black | | 98- | |
| (16) | 996 522 281 02 | lock | /L | 1 | | | B50 | space grey | | 98- | |
| (16) | 996 522 282 02 | lock | /R | 1 | | | C50 | graphite grey | | 98- | |
| 17 | 996 522 653 00 | spring | | 2 | | | G10 | metropole blue | | 98- | |
| 18 | 999 507 630 01 | clamp | | 2 | | | S30 | savanna | | 98- | |
| 19 | 996 522 315 00 | rosette | /L | 1 | | | J30 | nephrite green | | 98- | |
| | 01C | satin black | | | | | M30 | boxster red | | 98- | |
| (19) | 996 522 316 00 | rosette | /R | 1 | | 23 | 999 507 593 01 | u-clamp 1,25 - 1,50 | | X | |
| | 01C | satin black | | | | | | | | | |
| 20 | 996 522 321 00 | actuating lever | /L | 1 | | | | | | | |
| | 01C | satin black | | | | | | | | | |
| 20 | 996 522 321 01 | actuating lever | /L | 1 | | | | | | | |

| | | | | | | | | | | | |
|-------|------|----|----|--------------|--------------|-----|-------|------------|---------|-----|---------|
| Model | Year | MG | SG | Illustration | Restrictions | UPD | 20:13 | 24.01.2010 | PORSCHE | PET | PORSCHE |
| 996T | 2005 | 8 | 17 | 817-80 | | 248 | | | | | |



| Pos | Part Number | Description | Remark | Qty | Model |
|-----|----------------|----------------------------------|--------|-----|--------|
| 1 | 996 522 051 02 | back seat cushion | /L | -01 | 1 M936 |
| | 8YR | black | | | |
| | ETO | black | | | |
| | C50 | graphite grey | | | |
| | S30 | savanna | | | |
| | G10 | metropole blue | | | |
| | J30 | nephrite green | | | |
| | M30 | boxster red | | | |
| | B50 | space grey | | | |
| | D11 | dark grey/natural | | | |
| | T11 | brown/natural | | | |
| | P11 | cinnamon brown | | | |
| (1) | 996 522 052 02 | back seat cushion leather | /R | -01 | 1 M936 |
| | 8YR | black | | | |
| | ETO | black | | | |
| | C50 | graphite grey | | | |
| | S30 | savanna | | | |
| | G10 | metropole blue | | | |
| | J30 | nephrite green | | | |
| | M30 | boxster red | | | |
| | B50 | space grey | | | |
| | D11 | dark grey/natural | | | |
| | T11 | brown/natural | | | |
| | P11 | cinnamon brown | | | |
| 1 | 996 522 051 03 | back seat cushion draped leather | /L | -01 | 1 M939 |
| | ETO | black | | 01- | |
| | B50 | space grey | | | |

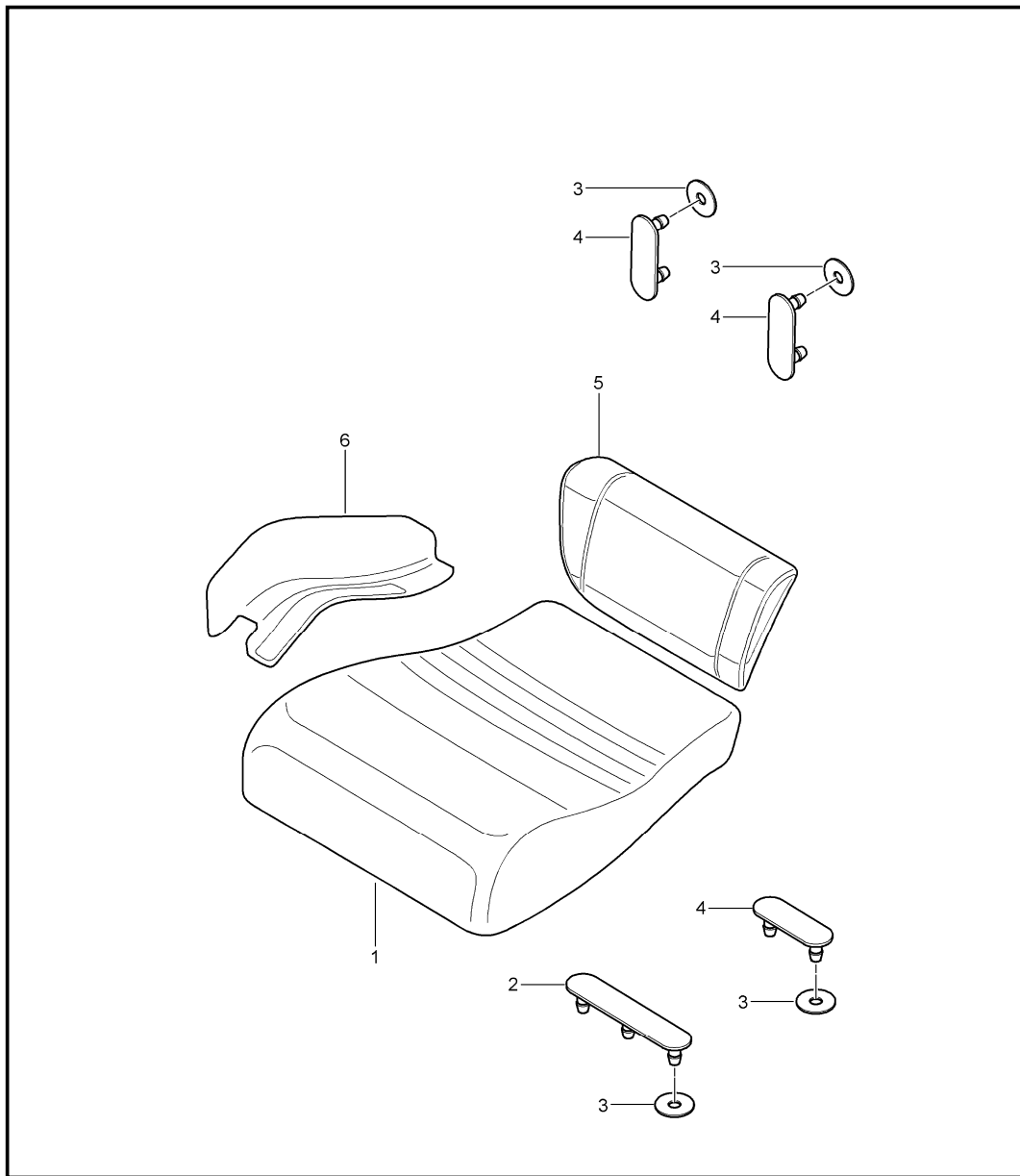
| | | | | | | | | | | | |
|-------|------|----|----|--------------|--------------|-----|-------|------------|---------|-----|---------|
| Model | Year | MG | SG | Illustration | Restrictions | UPD | 20:13 | 24.01.2010 | PORSCHE | PET | PORSCHE |
| 996T | 2005 | 8 | 17 | 817-80 | | 248 | | | | | |

| Pos | Part Number | Description | Remark | Qty | Model | Pos | Part Number | Description | Remark | Qty | Model |
|-----|----------------|----------------------------------|--------|-----|--------|-----|----------------|----------------------------------|--------|-----|--------|
| | C50 | graphite grey | | | | | T11 | brown/natural | | | |
| | G10 | metropole blue | | | | (1) | 996 522 052 15 | back seat cushion leather | /R | 01- | 1 M936 |
| | S30 | savanna | | | | | ETO | black | | | |
| | J30 | nephrite green | | | | | C50 | graphite grey | | | |
| | M30 | boxster red | | | | | S30 | savanna | | | |
| | D11 | dark grey | | | | | G10 | metropole blue | | | |
| | T11 | brown/natural | | | | | J30 | nephrite green | | | |
| | P11 | cinnamon brown | | | | | M30 | boxster red | | | |
| (1) | 996 522 052 03 | back seat cushion draped leather | /R | -01 | 1 M939 | | P11 | cinnamon brown | | | |
| | ETO | black | | 01- | | | D11 | dark grey/natural | | | |
| | B50 | space grey | | | | | T11 | brown/natural | | | |
| | C50 | graphite grey | | | | (1) | 996 522 051 16 | back seat cushion draped leather | /L | 01- | 1 M939 |
| | G10 | metropole blue | | | | | ETO | black | | | |
| | S30 | savanna | | | | | C50 | graphite grey | | | |
| | J30 | nephrite green | | | | | S30 | savanna | | | |
| | M30 | boxster red | | | | | G10 | metropole blue | | | |
| | D11 | dark grey | | | | | J30 | nephrite green | | | |
| | T11 | brown/natural | | | | | M30 | boxster red | | | |
| | P11 | cinnamon brown | | | | | P11 | cinnamon brown | | | |
| (1) | 996 522 051 15 | back seat cushion leather | /L | 01- | 1 M936 | | D11 | dark grey/natural | | | |
| | ETO | black | | | | | T11 | brown/natural | | | |
| | C50 | graphite grey | | | | (1) | 996 522 052 16 | back seat cushion draped leather | /R | 01- | 1 M939 |
| | S30 | savanna | | | | | ETO | black | | | |
| | G10 | metropole blue | | | | | C50 | graphite grey | | | |
| | J30 | nephrite green | | | | | S30 | savanna | | | |
| | M30 | boxster red | | | | | G10 | metropole blue | | | |
| | P11 | cinnamon brown | | | | | J30 | nephrite green | | | |
| | D11 | dark grey/natural | | | | | | | | | |

| | | | | | | | | | | | |
|-------|------|----|----|--------------|--------------|-----|-------|------------|---------|-----|---------|
| Model | Year | MG | SG | Illustration | Restrictions | UPD | 20:13 | 24.01.2010 | PORSCHE | PET | PORSCHE |
| 996T | 2005 | 8 | 17 | 817-80 | | 248 | | | | | |

| Pos | Part Number | Description | Remark | Qty | Model | Pos | Part Number | Description | Remark | Qty | Model |
|-----|----------------|---|--------|-----|----------|-----|-------------|-------------|--------|-----|-------|
| | M30 | boxster red | | | | | | | | | |
| | P11 | cinnamon brown | | | | | | | | | |
| | D11 | dark grey/natural | | | | | | | | | |
| | T11 | brown/natural | | | | | | | | | |
| (1) | 996 522 051 23 | back seat cushion special model leather | /L | 1 | M936/971 | | | | | | |
| | VTB | dark grey/natural | | | | | | | | | |
| | VTL | brown/natural | | | | | | | | | |
| (1) | 996 522 052 23 | back seat cushion special model leather | /R | 1 | M936/971 | | | | | | |
| | VTB | dark grey/natural | | | | | | | | | |
| | VTL | brown/natural | | | | | | | | | |
| 2 | 996 522 893 00 | clip triple | | X | | | | | | | |
| 3 | 996 522 897 00 | clips nut | | X | | | | | | | |
| 4 | 996 522 895 00 | clip double | | X | | | | | | | |

| | | | | | | | | | | | |
|-------|------|----|----|--------------|--------------|-----|-------|------------|---------|-----|---------|
| Model | Year | MG | SG | Illustration | Restrictions | UPD | 20:13 | 24.01.2010 | PORSCHE | PET | PORSCHE |
| 996T | 2005 | 8 | 17 | 817-85 | | 248 | | | | | |



| Pos | Part Number | Description | Remark | Qty | Model |
|-----|----------------|--|--------|-----|--------------|
| | | back seat cushion back seat centre part | | | TURBO/CABRIO |
| 1 | 996 522 051 18 | back seat cushion leather not for japan ETO black S30 savanna J30 nephrite green P11 cinnamon brown T11 brown/natural C50 graphite grey G10 metropole blue M30 boxster red D11 dark grey/natural | /L | -01 | 1 M936 |
| (1) | 996 522 052 18 | back seat cushion leather not for japan ETO black S30 savanna J30 nephrite green P11 cinnamon brown T11 brown/natural C50 graphite grey G10 metropole blue M30 boxster red D11 dark grey/natural | /R | -01 | 1 M936 |
| (1) | 996 522 051 21 | back seat cushion leather japan ETO black S30 savanna | /L | 01- | 1 M193/936 |

| | | | | | | | | | | | |
|-------|------|----|----|--------------|--------------|-----|-------|------------|---------|-----|---------|
| Model | Year | MG | SG | Illustration | Restrictions | UPD | 20:13 | 24.01.2010 | PORSCHE | PET | PORSCHE |
| 996T | 2005 | 8 | 17 | 817-85 | | 248 | | | | | |

| Pos | Part Number | Description | Remark | Qty | Model | Pos | Part Number | Description | Remark | Qty | Model |
|-----|----------------|---|--------|-----|------------|-----|----------------|---|--------|-----|------------|
| | J30 | nephrite green | | | | | P11 | cinnamon brown | | | |
| | P11 | cinnamon brown | | | | (1) | 996 522 052 19 | back seat cushion draped leather not for japan | /R | 01- | 1 M939 |
| | T11 | brown/natural | | | | | ETO | black | | | |
| | C50 | graphite grey | | | | | C50 | graphite grey | | | |
| | G10 | metropole blue | | | | | G10 | metropole blue | | | |
| | M30 | boxster red | | | | | M30 | boxster red | | | |
| | D11 | dark grey/natural | | | | | D11 | dark grey/natural | | | |
| (1) | 996 522 052 21 | back seat cushion leather japan | /R | 01- | 1 M193/936 | | T11 | brown/natural | | | |
| | ETO | black | | | | | S30 | savanna | | | |
| | S30 | savanna | | | | | J30 | nephrite green | | | |
| | J30 | nephrite green | | | | | P11 | cinnamon brown | | | |
| | P11 | cinnamon brown | | | | (1) | 996 522 051 22 | back seat cushion draped leather japan | /L | 01- | 1 M193/939 |
| | T11 | brown/natural | | | | | ETO | black | | | |
| | C50 | graphite grey | | | | | S30 | savanna | | | |
| | G10 | metropole blue | | | | | J30 | nephrite green | | | |
| | M30 | boxster red | | | | | P11 | cinnamon brown | | | |
| | D11 | dark grey/natural | | | | | T11 | brown/natural | | | |
| (1) | 996 522 051 19 | back seat cushion draped leather not for japan | /L | 01- | 1 M939 | | C50 | graphite grey | | | |
| | ETO | black | | | | | G10 | metropole blue | | | |
| | C50 | graphite grey | | | | | M30 | boxster red | | | |
| | G10 | metropole blue | | | | | D11 | dark grey/natural | | | |
| | M30 | boxster red | | | | (1) | 996 522 052 22 | back seat cushion draped leather japan | /R | 01- | 1 M193/939 |
| | D11 | dark grey/natural | | | | | ETO | black | | | |
| | T11 | brown/natural | | | | | S30 | savanna | | | |
| | S30 | savanna | | | | | J30 | nephrite green | | | |
| | J30 | nephrite green | | | | | | | | | |

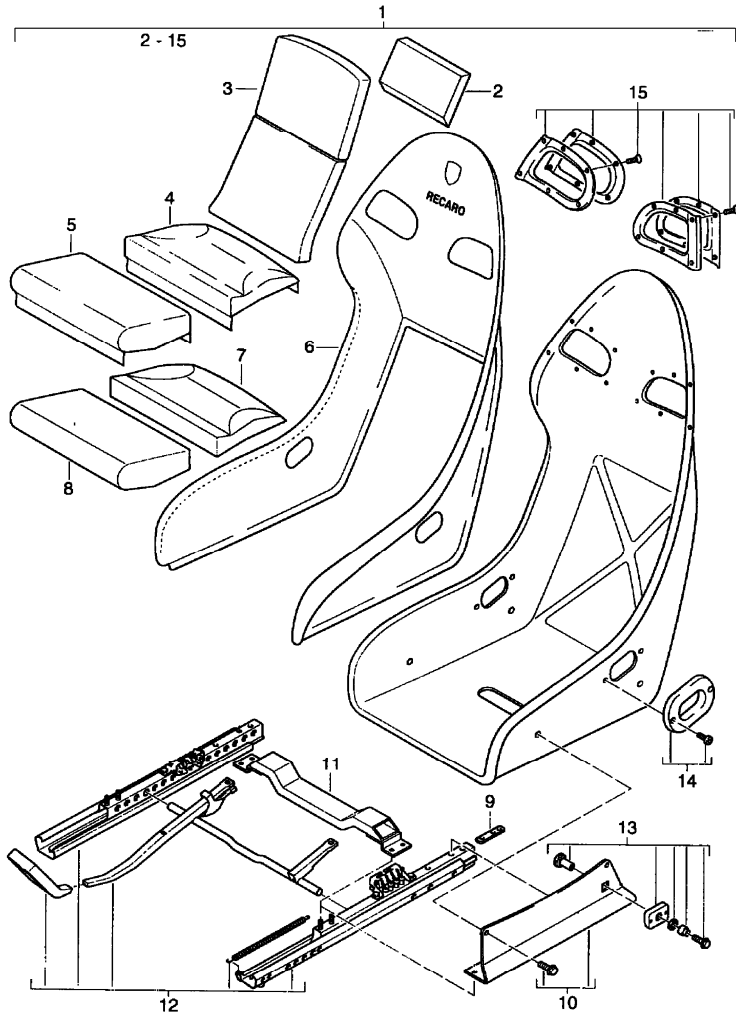
| | | | | | | | | | | | |
|-------|------|----|----|--------------|--------------|-----|-------|------------|---------|-----|---------|
| Model | Year | MG | SG | Illustration | Restrictions | UPD | 20:13 | 24.01.2010 | PORSCHE | PET | PORSCHE |
| 996T | 2005 | 8 | 17 | 817-85 | | 248 | | | | | |

| Pos | Part Number | Description | Remark | Qty | Model | Pos | Part Number | Description | Remark | Qty | Model |
|-----|----------------|---|--------|-----|----------------------|-----|----------------|----------------------------|--------|-----|-------|
| | | P11 cinnamon brown | | | | | 8YR | black | | | |
| | | T11 brown/natural | | | | | C50 | graphite grey | | | |
| | | C50 graphite grey | | | | | S30 | savanna | | | |
| | | G10 metropole blue | | | | | G10 | metropole blue | | | |
| | | M30 boxster red | | | | | B50 | space grey | | | |
| | | D11 dark grey/natural | | | | | J30 | nephrite green | | | |
| (1) | 996 522 051 24 | back seat cushion leather not for japan | /L | 05- | 1 M936/971 | | M30 | boxster red | | | |
| | | VTB dark grey/natural | | | | | D11 | dark grey/natural | | | |
| | | VTL brown/natural | | | | | T11 | brown/natural | | | |
| (1) | 996 522 052 24 | back seat cushion leather not for japan | /R | 05- | 1 M936/971 | (5) | 996 522 236 08 | centre part leather | /R | 1 | M936 |
| | | VTB dark grey/natural | | | | | 8YR | black | | | |
| | | VTL brown/natural | | | | | C50 | graphite grey | | | |
| (1) | 996 522 051 25 | back seat cushion leather japan | /L | 05- | 1 M193/936 M971 M971 | | S30 | savanna | | | |
| | | VTB dark grey/natural | | | | | G10 | metropole blue | | | |
| | | VTL brown/natural | | | | | B50 | space grey | | | |
| (1) | 996 522 052 25 | back seat cushion leather japan | /R | 05- | 1 M193/936 M971 | | J30 | nephrite green | | | |
| | | VTB dark grey/natural | | | | | M30 | boxster red | | | |
| | | VTL brown/natural | | | | | D11 | dark grey/natural | | | |
| | | | | | | | T11 | brown/natural | | | |
| | | | | | | | P11 | cinnamon brown | | | |
| | | | | | | (5) | 996 522 235 09 | centre part draped leather | /L | 1 | M939 |
| | | | | | | | 8YR | black | | | |
| 2 | 996 522 893 00 | clip triple | | | | | C50 | space grey | | | |
| 3 | 996 522 897 00 | clips nut | | | | | S30 | savanna | | | |
| 4 | 996 522 895 00 | clip | | | | | G10 | metropole blue | | | |
| 5 | 996 522 235 08 | centre part leather | /L | | 1 M936 | | B50 | space grey | | | |
| | | | | | | | J30 | nephrite green | | | |

| | | | | | | | | | | | |
|-------|------|----|----|--------------|--------------|-----|-------|------------|---------|-----|---------|
| Model | Year | MG | SG | Illustration | Restrictions | UPD | 20:13 | 24.01.2010 | PORSCHE | PET | PORSCHE |
| 996T | 2005 | 8 | 17 | 817-85 | | 248 | | | | | |

| Pos | Part Number | Description | Remark | Qty | Model | Pos | Part Number | Description | Remark | Qty | Model |
|-----|----------------|-----------------------------|--------|-----|------------------|----------|----------------|-----------------------------|--------|-----|------------------|
| | M30 | boxster red | | | | | M30 | boxster red | | | |
| | D11 | dark grey/natural | | | | | P11 | cinnamon brown | | | |
| | T11 | brown/natural | | | | | D11 | dark grey/natural | | | |
| | P11 | cinnamon brown | | | | | T11 | brown/natural | | | |
| (5) | 996 522 236 09 | centre part draped leather | /R | 1 | M939 | (6) | 996 522 066 03 | back seat extension leather | /R | 1 | M193/936 M939 |
| | 8YR | black | | | | | 8YR | black | | | |
| | C50 | space grey | | | | | C50 | graphite grey | | | |
| | S30 | savanna | | | | | S30 | savanna | | | |
| | G10 | metropole blue | | | | | G10 | metropole blue | | | |
| | B50 | space grey | | | | | J30 | nephrite green | | | |
| | J30 | nephrite green | | | | | M30 | boxster red | | | |
| | M30 | boxster red | | | | | P11 | cinnamon brown | | | |
| | D11 | dark grey/natural | | | | | D11 | dark grey/natural | | | |
| | T11 | brown/natural | | | | | T11 | brown/natural | | | |
| | P11 | cinnamon brown | | | | | | | | | |
| (5) | 996 522 235 13 | centre part leather | /L | 05- | 1 | M936/971 | | | | | |
| | D13 | dark grey/natural | | | | | | | | | |
| | T14 | brown/natural | | | | | | | | | |
| (5) | 996 522 236 13 | centre part leather | /R | 05- | 1 | M936/971 | | | | | |
| | D13 | dark grey/natural | | | | | | | | | |
| | T14 | brown/natural | | | | | | | | | |
| (6) | 996 522 065 03 | back seat extension leather | /L | 1 | M193/936 M939 | | | | | | |
| | 8YR | black | | | | | | | | | |
| | C50 | graphite grey | | | | | | | | | |
| | S30 | savanna | | | | | | | | | |
| | G10 | metropole blue | | | | | | | | | |
| | J30 | nephrite green | | | | | | | | | |

| | | | | | | | | | | | |
|-------|------|----|----|--------------|--------------|-----|-------|------------|---------|-----|---------|
| Model | Year | MG | SG | Illustration | Restrictions | UPD | 20:14 | 24.01.2010 | PORSCHE | PET | PORSCHE |
| 996T | 2005 | 8 | 17 | 817-90 | | 248 | | | | | |

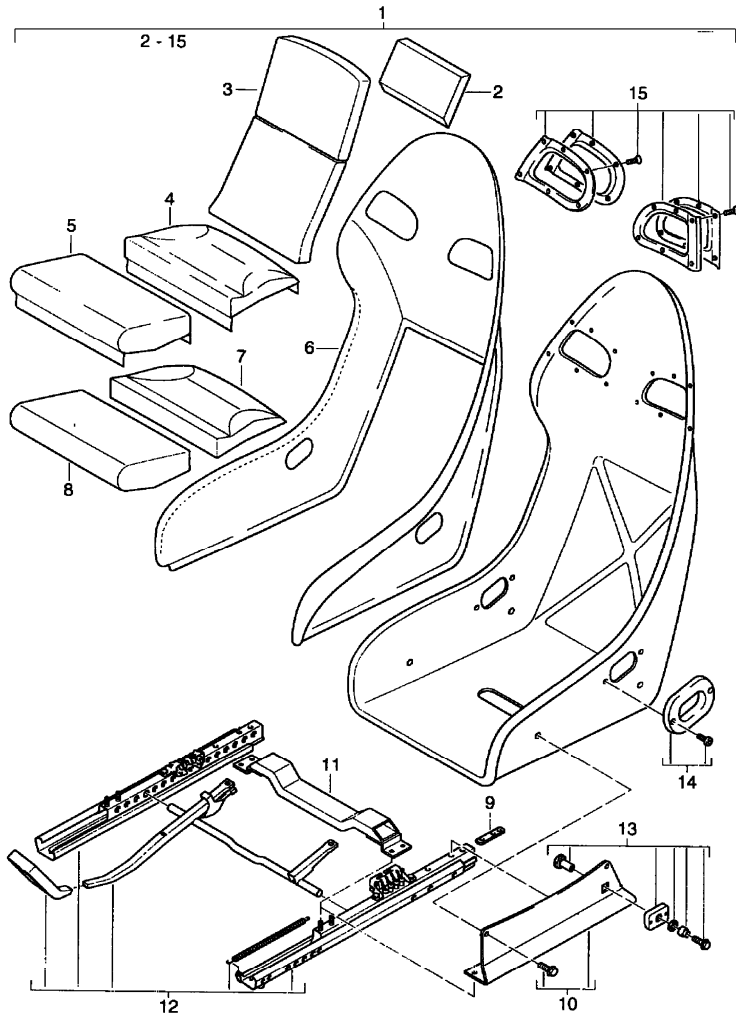


| Pos | Part Number | Description | Remark | Qty | Model |
|-----|----------------|---------------------------------------|--------|-----|------------------|
| | | bucket seat perlon velour | | | TURBO/GT2 |
| 1 | 996 521 985 00 | bucket seat perlon velour black | /LL/L | 1 | IXSE/M990 |
| (1) | 996 521 986 00 | bucket seat perlon velour black | /LL/R | 1 | IXSF/M990 |
| (1) | 996 521 985 02 | bucket seat perlon velour black | /RL/L | 1 | IXSE/M990 |
| (1) | 996 521 986 02 | bucket seat perlon velour black | /RL/R | 1 | IXSF/M990 |
| (1) | 996 521 985 04 | bucket seat | /LL | 1 | IXSE M003/990 |
| (1) | 996 521 985 05 | bucket seat | /RL | 1 | IXSE M003/990 |
| (1) | 996 521 985 06 | bucket seat | /LL | 1 | IXSS/M990 |
| (1) | 996 521 985 08 | bucket seat | /RL | 1 | IXSS/M990 |
| (1) | 996 521 985 07 | bucket seat ERZ black | /LL | 1 | IXSS/M983 |
| (1) | 996 521 985 09 | bucket seat ERZ black | /RL | 1 | IXSS/M983 |
| (1) | 996 521 985 10 | bucket seat | /LL | 1 | IXSS M003/990 |
| (1) | 996 521 985 11 | bucket seat | /RL | 1 | IXSS M003/990 |
| (1) | 996 521 986 04 | bucket seat | /LL | 1 | IXSF M003/990 |
| (1) | 996 521 986 05 | bucket seat cloth | /RL | 1 | IXSF M003/990 |
| (1) | 996 521 986 06 | bucket seat cloth | /LL | 1 | IXSR/M990 |
| (1) | 996 521 986 08 | bucket seat cloth | /RL | 1 | IXSR/M990 |
| (1) | 996 521 986 07 | bucket seat | /LL | 1 | IXSR/M983 |

| | | | | | | | | | | | |
|-------|------|----|----|--------------|--------------|-----|-------|------------|---------|-----|---------|
| Model | Year | MG | SG | Illustration | Restrictions | UPD | 20:14 | 24.01.2010 | PORSCHE | PET | PORSCHE |
| 996T | 2005 | 8 | 17 | 817-90 | | 248 | | | | | |

| Pos | Part Number | Description | Remark | Qty | Model | Pos | Part Number | Description | Remark | Qty | Model |
|------|----------------|--|--------|-----|---------------------------|------|----------------|---|--------|-----|----------|
| | ERZ | black | | | | 12 | 996 521 929 90 | parts kit seat rail | /L | 1 | IXSE/XSS |
| (1) | 996 521 986 09 | bucket seat | /RL | 1 | IXSR/M983 | (12) | 996 521 930 90 | parts kit seat rail | /R | 1 | IXSF/XSR |
| | ERZ | black | | | | (13) | 996 521 925 90 | set of fastening parts seat-belt buckle inner | | 2 | |
| (1) | 996 521 986 10 | bucket seat | /LL | 1 | IXSR M003/990 | 13 | 996 521 927 90 | set of fastening parts seat-belt buckle outer | | 2 | |
| (1) | 996 521 986 11 | bucket seat | /RL | 1 | IXSR M003/990 | 14 | 996 521 907 90 | parts kit cover belt lower | | 2 | |
| 2 | 996 521 911 90 | lumbar support | | 2 | | 15 | 996 521 905 90 | parts kit cover belt upper | | 2 | |
| 3 | 996 521 913 90 | backrest cushion perlon velour black | | 2 | IXSE/XSF/XSR IXSS/M990 | | | | | | |
| 4 | 996 521 915 90 | cover for cushion seat cushion rear | | 2 | IXSE/XSF/XSR IXSS/M990 | | | | | | |
| 5 | 996 521 919 90 | cover for cushion seat cushion front perlon velour black | | 2 | IXSE/XSF M990 | | | | | | |
| 6 | 996 521 988 00 | outer lining perlon velour black | | 2 | IXSE/XSF/XSS IXSR/M990 | | | | | | |
| 7 | 996 521 917 90 | foam part seat cushion rear | | 2 | | | | | | | |
| 8 | 996 521 921 90 | foam part seat cushion front | | 2 | | | | | | | |
| 9 | 996 521 931 90 | stop | | 2 | | | | | | | |
| (9) | 996 521 603 01 | stop short | | 2 | M375/376 | | | | | | |
| 10 | 996 521 923 90 | parts kit adapter left seat | | 2 | IXSE/XSS | | | | | | |
| (10) | 996 521 924 90 | parts kit adapter right seat | | 2 | IXSF/XSR | | | | | | |
| 11 | 996 521 933 90 | cross member 6-point seat belt | | X | M003 | | | | | | |

| | | | | | | | | | | | |
|-------|------|----|----|--------------|--------------|-----|-------|------------|---------|-----|---------|
| Model | Year | MG | SG | Illustration | Restrictions | UPD | 20:14 | 24.01.2010 | PORSCHE | PET | PORSCHE |
| 996T | 2005 | 8 | 17 | 817-95 | | 248 | | | | | |



| Pos | Part Number | Description | Remark | Qty | Model |
|-----|----------------|---------------------|--------|-----|------------------------|
| 1 | 996 521 985 01 | bucket seat leather | /LL/L | 1 | TURBO/GT2 IXSE/M983 |
| | 8YR | black | | | |
| | B50 | space grey | | | |
| | C50 | graphite grey | | | |
| | G10 | metropole blue | | | |
| | S30 | savanna | | | |
| | J30 | nephrite green | | | |
| | M30 | boxster red | | | |
| | T11 | brown | | | |
| (1) | 996 521 986 01 | bucket seat leather | /LL/R | 1 | IXSF/M983 |
| | 8YR | black | | | |
| | B50 | space grey | | | |
| | C50 | graphite grey | | | |
| | G10 | metropole blue | | | |
| | S30 | savanna | | | |
| | J30 | nephrite green | | | |
| | M30 | boxster red | | | |
| | T11 | brown | | | |
| 1 | 996 521 985 03 | bucket seat leather | /RL/L | 1 | IXSE/M983 |
| | 8YR | black | | | |
| | B50 | space grey | | | |
| | C50 | graphite grey | | | |
| | G10 | metropole blue | | | |
| | S30 | savanna | | | |
| | J30 | nephrite green | | | |
| | M30 | boxster red | | | |

| | | | | | | | | | | | |
|-------|------|----|----|--------------|--------------|-----|-------|------------|---------|-----|---------|
| Model | Year | MG | SG | Illustration | Restrictions | UPD | 20:14 | 24.01.2010 | PORSCHE | PET | PORSCHE |
| 996T | 2005 | 8 | 17 | 817-95 | | 248 | | | | | |

| Pos | Part Number | Description | Remark | Qty | Model | Pos | Part Number | Description | Remark | Qty | Model |
|-----|----------------|-------------------------------------|--------|-----|---------------------------|-----|----------------|--------------------------------------|--------|-----|---------------------------|
| (1) | 996 521 986 03 | T11 brown bucket seat leather | /RL/R | 1 | IXSF/M983 | | ERZ | black | | | |
| | | 8YR black | | | | | G10 | metropole blue | | | |
| | | B50 space grey | | | | | J30 | nephrite green | | | |
| | | C50 graphite grey | | | | | M30 | boxster red | | | |
| | | G10 metropole blue | | | | | P11 | cinnamon brown | | | |
| | | S30 savanna | | | | | S30 | savanna | | | |
| | | J30 nephrite green | | | | | T11 | brown/natural | | | |
| | | M30 boxster red | | | | 5 | 996 521 991 00 | cover for cushion seat cushion front | | 2 | IXSE/XSF IXSR/XSS |
| | | T11 brown | | | | | 8YR | black | | | |
| 2 | 996 521 911 90 | lumbar support | | 2 | IXSE/XSF | | B50 | space grey | | | |
| 3 | 996 521 989 00 | backrest cushion | | 2 | IXSE/XSF/XSR | | C50 | graphite grey | | | |
| | | B50 space grey | | | | | D11 | dark grey/natural | | | |
| | | C50 graphite grey | | | | | ERZ | black | | | |
| | | D11 dark grey/natural | | | | | G10 | metropole blue | | | |
| | | ERZ black | | | | | J30 | nephrite green | | | |
| | | G10 metropole blue | | | | | M30 | boxster red | | | |
| | | J30 nephrite green | | | | | P11 | cinnamon brown | | | |
| | | M30 boxster red | | | | | S30 | savanna | | | |
| | | P11 cinnamon brown | | | | | T11 | brown/natural | | | |
| | | S30 savanna | | | | 6 | 996 521 988 01 | outer lining leather | | 2 | IXSE/XSF/XSR IXSS/M983 |
| | | T11 brown/natural | | | | | 8YR | black | | | |
| | | 8YR black | | | | | 8YR | black | | | |
| 4 | 996 521 990 00 | cover for cushion seat cushion rear | | 2 | IXSE/XSF/XSR IXSS/M983 | | B50 | space grey | | | |
| | | B50 space grey | | | | | C50 | graphite grey | | | |
| | | C50 graphite grey | | | | | G10 | metropole blue | | | |
| | | D11 dark grey/natural | | | | | S30 | savanna | | | |
| | | | | | | | J30 | nephrite green | | | |

| | | | | | | | | | | | |
|-------|------|----|----|--------------|--------------|-----|-------|------------|---------|-----|---------|
| Model | Year | MG | SG | Illustration | Restrictions | UPD | 20:14 | 24.01.2010 | PORSCHE | PET | PORSCHE |
| 996T | 2005 | 8 | 17 | 817-95 | | 248 | | | | | |

| Pos | Part Number | Description | Remark | Qty | Model | Pos | Part Number | Description | Remark | Qty | Model |
|------|----------------|---|--------|-----|----------|-----|-------------|-------------|--------|-----|-------|
| | M30 | boxster red | | | | | | | | | |
| 7 | 996 521 917 90 | foam part seat cushion rear | | 2 | | | | | | | |
| 8 | 996 521 921 90 | foam part seat cushion front | | 2 | | | | | | | |
| 9 | 996 521 931 90 | stop | | 2 | | | | | | | |
| (9) | 996 521 603 01 | stop short | | 2 | M375/376 | | | | | | |
| 10 | 996 521 923 90 | parts kit adapter left seat | | 2 | IXSE/XSS | | | | | | |
| 10 | 996 521 924 90 | parts kit right seat adapter | | 2 | IXSF/XSR | | | | | | |
| 11 | 996 521 933 90 | cross member 6-point seat belt | | X | M003 | | | | | | |
| 12 | 996 521 929 90 | parts kit seat rail | | 1 | IXSE/XSS | | | | | | |
| (12) | 996 521 930 90 | parts kit seat rail | | 1 | IXSF/XSR | | | | | | |
| (13) | 996 521 925 90 | set of fastening parts seat-belt buckle inner | | 2 | | | | | | | |
| 13 | 996 521 927 90 | set of fastening parts seat-belt buckle outer | | 2 | | | | | | | |
| 14 | 996 521 907 90 | parts kit cover belt lower | | 2 | | | | | | | |
| 15 | 996 521 905 90 | parts kit cover belt upper | | 2 | | | | | | | |

PORSCHE

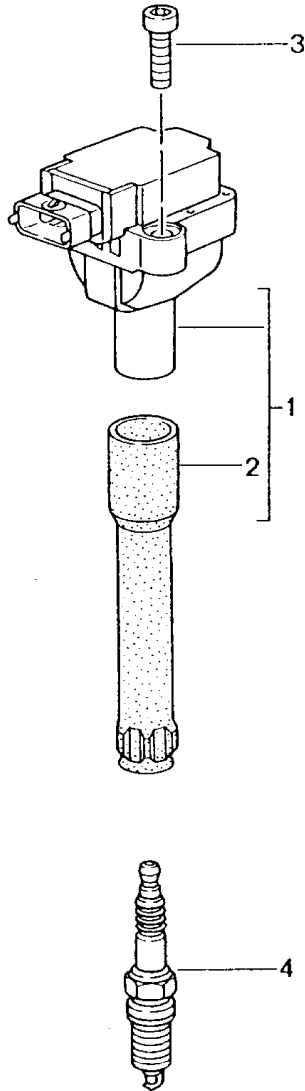
PET

PORSCHE

| | | | | | | | | |
|-------|------|----|----|--------------|--------------|-----|-------|------------|
| Model | Year | MG | SG | Illustration | Restrictions | UPD | 20:14 | 24.01.2010 |
| 996T | 2005 | 8 | 98 | 898-00R | | 248 | | |

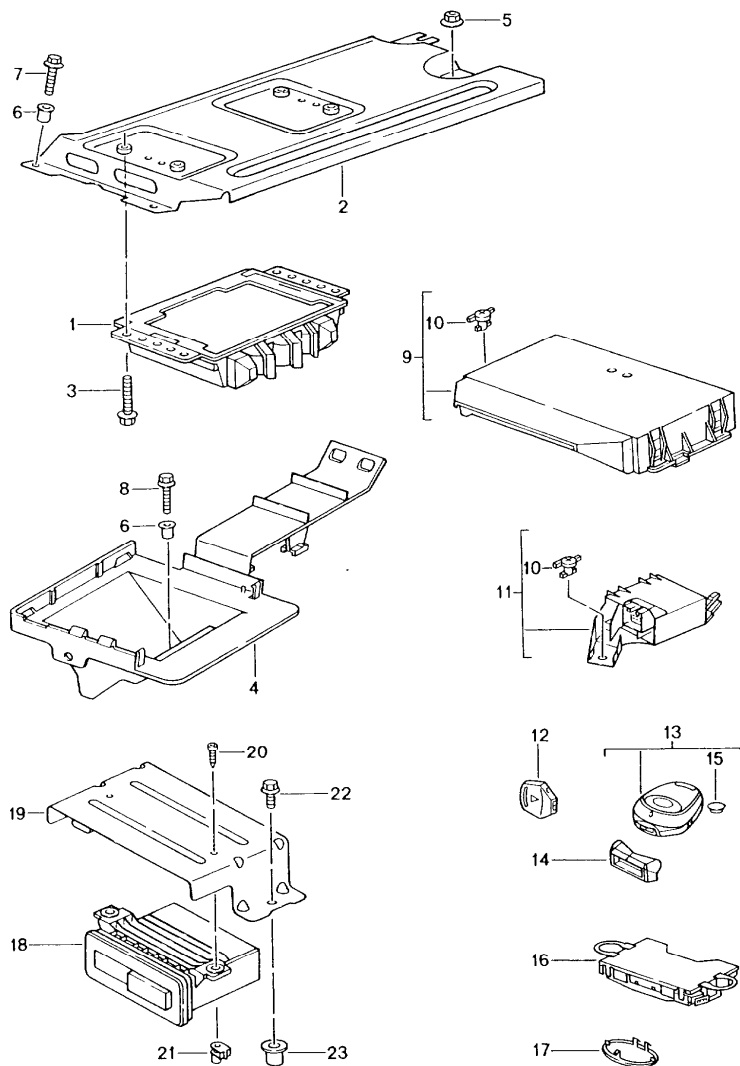
| Pos | Part Number | Description | Remark | Qty | Model |
|-----|------------------|--------------|---------|-----|----------|
| | | repair kits | | | |
| | | set of locks | | | |
| >> | >>996 538 001 03 | set of locks | -01 | 1 | M531/532 |
| >> | >>996 538 001 06 | set of locks | 02- | 1 | M531/532 |
| >> | >>996 538 001 04 | set of locks | /LL -01 | 1 | M534/535 |
| >> | >>996 538 001 07 | set of locks | /LL 02- | 1 | M534/535 |
| >> | >>996 538 001 05 | set of locks | /RL -01 | 1 | M534/535 |
| >> | >>996 538 001 08 | set of locks | /RL 02- | 1 | M534/535 |

| | | | | | | | | | | | |
|-------|------|----|----|--------------|--------------|-----|-------|------------|---------|-----|---------|
| Model | Year | MG | SG | Illustration | Restrictions | UPD | 20:14 | 24.01.2010 | PORSCHE | PET | PORSCHE |
| 996T | 2005 | 9 | 01 | 901-00 | | 248 | | | | | |



| Pos | Part Number | Description | Remark | Qty | Model |
|-----|------------------|---|--------|-----|-------|
| | | ignition system | | | |
| 1 | A 996 602 104 00 | ignition coil | | 6 | |
| 1 | 997 602 104 00 | ignition coil | | 6 | |
| 2 | 996 602 105 00 | spark plug connector | | 6 | |
| 3 | 900 067 089 09 | pan-head screw M 6 X 25 | | 12 | |
| 4 | 999 170 195 90 | spark plug 14FR 6LDU tech. information memo GR.2 , NR.7/01 | | 6 | |

| | | | | | | | | | | | |
|-------|------|----|----|--------------|--------------|-----|-------|------------|---------|-----|---------|
| Model | Year | MG | SG | Illustration | Restrictions | UPD | 20:14 | 24.01.2010 | PORSCHE | PET | PORSCHE |
| 996T | 2005 | 9 | 01 | 901-03 | | 248 | | | | | |



| Pos | Part Number | Description | Remark | Qty | Model |
|-----|----------------|--|--------|-----|--------------------------------|
| 1 | 996 618 606 01 | control units control unit - dme - see technical manual OBD II ; 0-8 S.1 | | 1 | |
| (1) | 996 618 180 04 | control unit tiptronic see technical information GR. 3 , NR. 5/02 | | 1 | M249 |
| 2 | 996 618 129 00 | support control unit - dme - F >>991S6 81183 | | 1 | COUPE |
| (2) | 996 618 129 01 | support control unit - dme - F 991S6 81184>> | | 1 | COUPE |
| (2) | 996 618 131 00 | support control unit - dme - | 04- | 1 | CABRIO |
| 3 | 900 378 036 01 | hexagon-head bolt M 6 X 12 | | 4 | COUPE |
| 4 | 996 618 257 00 | support control unit tiptronic F >>994S6 70743 | -04 | 1 | M249 |
| (4) | 996 618 257 01 | support control unit tiptronic F 994S6 70744>> | 04- | 1 | M249 |
| 5 | 999 084 629 01 | hexagon nut M 6 | | 1 | COUPE |
| 6 | 999 500 078 00 | sheetmetal press nut M 6 F >>991S6 81183 | | 2 | COUPE M480 COUPE M249 |
| 6 | 999 500 078 00 | sheetmetal press nut M 6 F 991S6 81184>> | | 1 | M249 |
| 7 | 900 075 413 09 | combination screw M 6 X 16 Z2 F >>991S6 81183 | | 2 | COUPE |

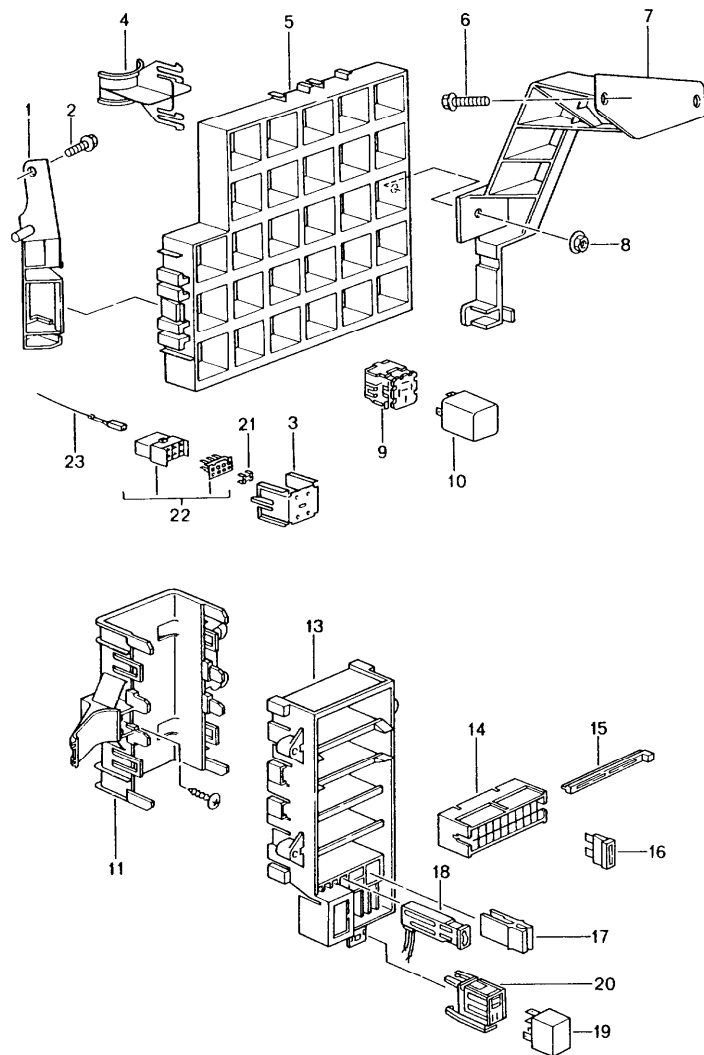
| | | | | | | | | | | | |
|-------|------|----|----|--------------|--------------|-----|-------|------------|---------|-----|---------|
| Model | Year | MG | SG | Illustration | Restrictions | UPD | 20:14 | 24.01.2010 | PORSCHE | PET | PORSCHE |
| 996T | 2005 | 9 | 01 | 901-03 | | 248 | | | | | |

| Pos | Part Number | Description | Remark | Qty | Model | Pos | Part Number | Description | Remark | Qty | Model | |
|-----|----------------|--|--------|-----|--------|------|----------------|---|--------|-----|---|-------|
| (7) | 999 084 629 01 | hexagon nut M 6 F 991S6 81184>> F 991S6 85747>> | | 2 | COUPE | 10 | 996 618 261 00 | locking device | | 1 | | |
| (7) | 999 073 060 02 | tapping screw 4,8 X 13 | 04- | X | CABRIO | 11 | 996 618 159 01 | signal transducer | | 1 | | |
| | | control unit convertible top control see group 8/11/15 | | | CABRIO | 12 | 996 637 041 00 | key lamp | | 1 | M532 | |
| | | control unit roll-over bar see group 8/11/15 | | | CABRIO | - | 928 537 630 02 | bulb for key lamp | | X | | |
| 8 | 900 146 040 02 | screw M 6 X 25 | | 1 | M249 | 13 U | 996 637 244 30 | Handheld transmitter | -03 | 1 | COUPE M534 | |
| 9 | 996 618 262 02 | control unit immobiliser central locking system alarm system | | 1 | M534 | 13 | 996 637 244 40 | Handheld transmitter | 04- | 1 | COUPE M534 CABRIO M533 M534 | |
| - | 996 612 034 00 | cable antenna for POS. 9 | | 1 | M534 | - | 996 637 353 00 | Handheld transmitter upper part for 996.637.244.30/40 | | 1 | | |
| 9 | 996 618 262 03 | control unit immobiliser central locking system alarm system see technical information GR.9 NR.6/01 | | 1 | M535 | 13 | 996 637 244 41 | Handheld transmitter | 04- | 1 | CABRIO M534 | |
| - | 996 612 035 00 | cable antenna for POS. 9 | | 1 | M535 | - | 996 637 355 00 | Handheld transmitter upper part for 996.637.244.41 | 04- | 1 | | |
| - | 996 612 054 00 | connecting line antenna booster control unit POS. 9 | 03- | 1 | M665 | 13 | 996 637 244 42 | Handheld transmitter | 04- | 1 | COUPE M535 CABRIO M533 M535 | |
| - | 999 607 064 00 | fuse 15 A for POS. 8 | | X | | - | 996 637 355 00 | Handheld transmitter upper part for 996.637.244.31/36/42 | 04- | 1 | | |
| - | 999 507 925 40 | fixing clip for wiring harness seat | | 1 | | 13 U | 996 637 244 32 | Handheld transmitter | (J) | -03 | 1 | COUPE |
| | | | | | | 13 | 996 637 244 44 | Handheld transmitter | (J) | 1 | 1 | COUPE |

| | | | | | | | | | | | |
|-------|------|----|----|--------------|--------------|-----|-------|------------|---------|-----|---------|
| Model | Year | MG | SG | Illustration | Restrictions | UPD | 20:14 | 24.01.2010 | PORSCHE | PET | PORSCHE |
| 996T | 2005 | 9 | 01 | 901-03 | | 248 | | | | | |

| Pos | Part Number | Description | Remark | Qty | Model | Pos | Part Number | Description | Remark | Qty | Model |
|------|----------------|--|---------|-----|------------------|-----|----------------|---|--------|-----|-------|
| - | 996 637 353 00 | Handheld transmitter upper part for 996.637.244.32/44 | | 1 | | 21 | 999 920 015 40 | plug-in nut 4,0 | | 2 | M635 |
| 13 | 996 637 244 45 | Handheld transmitter | (J) 04- | 1 | CABRIO | 22 | 900 378 179 09 | hexagon-head bolt M 6 X 16 | | 2 | M635 |
| - | 996 637 355 00 | Handheld transmitter upper part for 996.637.244.45 | 04- | 1 | | 23 | 999 500 078 00 | sheetmetal press nut M 6 sensor see group 8/02/05 | | 2 | M635 |
| - | 996 637 443 00 | crest coloured for key lamp and Handheld transmitter | 02- | 1 | | | | | | | M635 |
| 14 | 996 637 344 00 | identification ring key 1 set red yellow | | 1 | | | | | | | |
| 14 | 996 637 344 01 | identification ring key 1 set blue green | | 1 | | | | | | | |
| 15 | 999 611 108 00 | battery see technical information GR. 9 , NR. 17/03 | | 1 | M534/535 | | | | | | |
| 16 | 996 618 210 02 | sensor interior monitoring | | 1 | M534/535 | | | | | | |
| 16 | 996 618 210 03 | sensor interior monitoring | | 1 | M534/535 M999 | | | | | | |
| (17) | 996 618 212 02 | trim cover alarm siren tilt sensor see group 9/03/00 | | 2 | M536 M536 | | | | | | |
| 18 | 996 618 171 03 | control unit ParkAssist | | 1 | M635 | | | | | | |
| 19 | 996 618 371 00 | support | 01 | 1 | M635 | | | | | | |
| (19) | 996 618 371 01 | support | 02- | 1 | M635 | | | | | | |
| 20 | 999 919 120 09 | oval-head screw 4,0 X 18 | | 2 | M635 | | | | | | |

| | | | | | | | | | | | |
|-------|------|----|----|--------------|--------------|-----|-------|------------|---------|-----|---------|
| Model | Year | MG | SG | Illustration | Restrictions | UPD | 20:15 | 24.01.2010 | PORSCHE | PET | PORSCHE |
| 996T | 2005 | 9 | 02 | 902-00 | | 248 | | | | | |

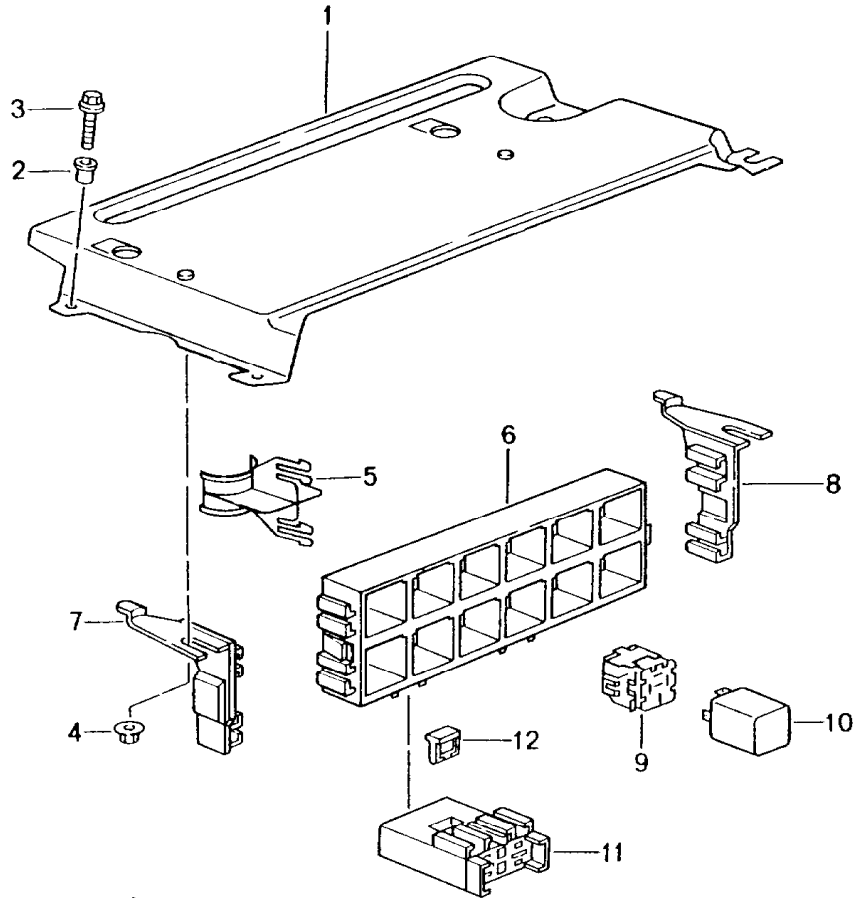


| Pos | Part Number | Description | Remark | Qty | Model |
|------|----------------|--------------------------------------|--------|-----|-------|
| | | central electrical system dashboard | | | |
| 1 | 996 610 117 00 | support | /LL/L | 1 | |
| (1) | 996 610 119 00 | support | /RL/L | 1 | |
| 2 | 900 378 155 09 | hexagon-head bolt M 6 X 16 ASP | | 1 | |
| 3 | 996 610 104 00 | retaining frame | | X | |
| 4 | 996 610 112 00 | cable holder | | X | |
| 5 | 996 610 109 00 | relay carrier support frame | | 1 | |
| 6 | 900 378 155 09 | hexagon-head bolt M 6 X 16 ASP | | 2 | |
| 7 | 996 610 116 00 | support | /LL/R | 1 | |
| (7) | 996 610 118 00 | support | /RL/R | 1 | |
| 8 | 900 377 010 01 | hexagon nut M 6 | | 1 | |
| 9 | 928 610 511 00 | relay carrier | | X | |
| 10 | - | relay | | | |
| S1 | 141 951 253 B | relay radiator fan 1 setting 3 | | 1 | |
| S2 | 141 951 253 B | relay radiator fan 2 setting 3 | | 1 | |
| S3 | 1H0 953 227 | flasher relay | | 1 | |
| S4 | 996 615 117 00 | control unit rear window heating | | 1 | |
| S6/7 | 996 615 111 00 | relay | | 1 | M606 |
| S8 | 996 618 113 00 | relay headlight washer system | | 1 | M288 |
| S9 | 141 951 253 B | relay KL. XE | | 1 | |
| S10 | 141 951 253 B | relay fanfare | | 1 | |
| S12 | 141 951 253 B | relay | (J) | 1 | |

| | | | | | | | | | | | |
|-------|------|----|----|--------------|--------------|-----|-------|------------|---------|-----|---------|
| Model | Year | MG | SG | Illustration | Restrictions | UPD | 20:15 | 24.01.2010 | PORSCHE | PET | PORSCHE |
| 996T | 2005 | 9 | 02 | 902-00 | | 248 | | | | | |

| Pos | Part Number | Description | Remark | Qty | Model | Pos | Part Number | Description | Remark | Qty | Model |
|------|----------------|--------------------------------------|--------|-----|-------|------|----------------|---|--------|-----|-------|
| S13 | 996 615 101 00 | relay fuel pump | | 1 | | | | emergency operation lid | | | |
| S16 | 996 615 103 00 | interval relay | | 1 | | 18 | 996 610 240 00 | terminal clamp | | 1 | |
| S18 | 141 951 253 B | relay heating | | 1 | | 19 | 999 657 006 90 | relay | | 1 | |
| S19 | 141 951 253 B | relay radiator fan 1 setting 1 | | 1 | | 20 | 999 650 538 40 | plug socket 5-pole | | 1 | |
| S20 | 141 951 253 B | relay radiator fan 1 setting2 | | 1 | | - | - | cover rear spoiler see group 9 / 03 / 05 | | | |
| S21 | 141 951 253 B | relay radiator fan 2 setting 1 | | 1 | | - | - | cover for housing fuse see group 8 / 07 / 02 | | X | |
| S22 | 141 951 253 B | relay radiator fan 2 setting2 | | 1 | | 21 | 999 650 319 22 | contact bridge 4-pole | | X | |
| 11 | 996 610 210 00 | lid | | 1 | | (21) | 999 650 318 22 | contact bridge 8-pole | | X | |
| 13 | 996 610 211 01 | bracket | | 1 | | 22 | 999 650 317 40 | plug socket 8-pole | | X | |
| 14 | 999 650 209 40 | fuse holder | | X | | 23 | 999 650 320 22 | contact bush 2,8 / 0,75 | | X | |
| 15 | 999 650 210 40 | slide | | X | | (23) | 999 650 321 22 | contact bush 2,8 / 2,5 | | X | |
| 16 | 999 607 082 00 | fuse 5 A | | X | | | | | | | |
| (16) | 999 607 083 00 | fuse 7 , 5 A | | X | | | | | | | |
| (16) | 999 607 085 00 | fuse 15 A | | X | | | | | | | |
| (16) | 999 607 087 00 | fuse 25 A | | X | | | | | | | |
| (16) | 999 607 010 00 | fuse 30 A | | X | | | | | | | |
| (16) | 999 607 089 00 | fuse 40 A | | X | | | | | | | |
| 17 | 996 610 214 00 | tool | | X | | | | | | | |
| - | 996 610 217 04 | assignment sticker fuse | -02 | X | | | | | | | |
| - | 996 610 217 05 | assignment sticker fuse | 03- | X | | | | | | | |

| | | | | | | | | | | | |
|-------|------|----|----|--------------|--------------|-----|-------|------------|---------|-----|---------|
| Model | Year | MG | SG | Illustration | Restrictions | UPD | 20:15 | 24.01.2010 | PORSCHE | PET | PORSCHE |
| 996T | 2005 | 9 | 02 | 902-01 | | 248 | | | | | |

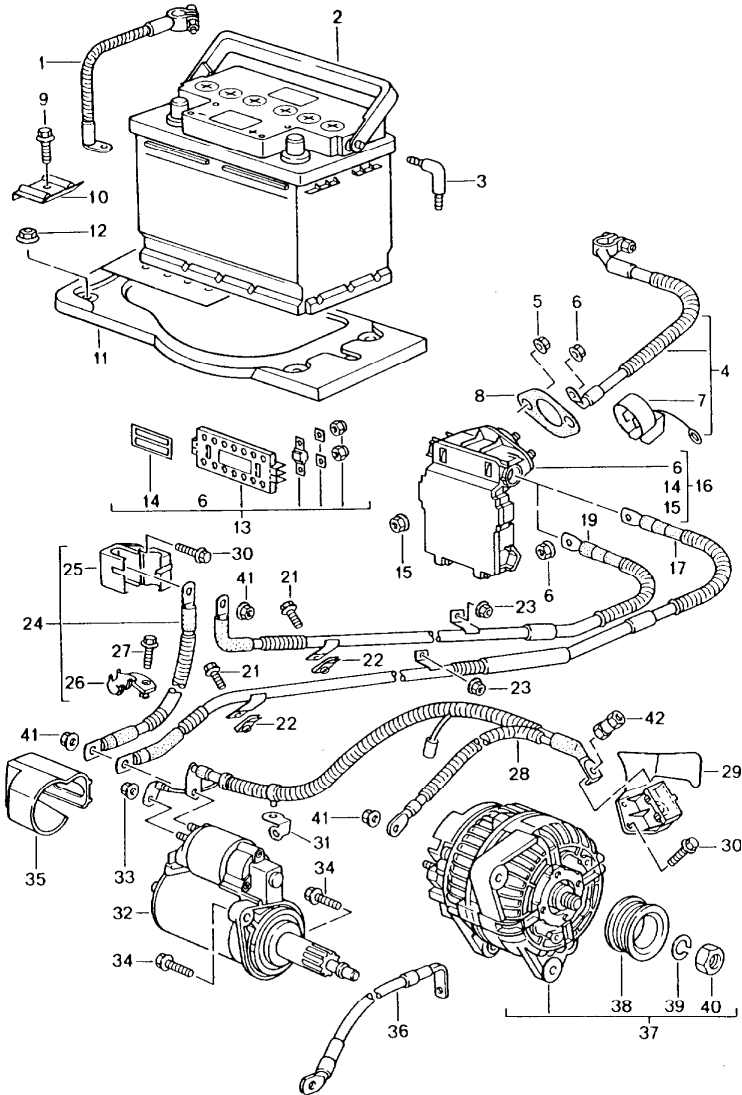


| Pos | Part Number | Description | Remark | Qty | Model |
|-----|----------------|---|--------|-----|--------|
| | | central electrical system rear end | | | |
| 1 | 996 610 129 00 | mounting plate F >>991S6 81183 | | 1 | COUPE |
| 1 A | 996 610 129 02 | mounting plate F 991S6 81184>>995S6 80459 | 01-05 | 1 | COUPE |
| (1) | 996 610 229 03 | mounting plate F 995S6 80460>> | 05- | 1 | COUPE |
| 2 | 999 500 078 00 | nut F >>991S6 81183 | | 2 | COUPE |
| 3 | 900 075 413 09 | combination screw M 6 X 16 Z2 F >>991S6 81183 | | 2 | COUPE |
| (3) | 999 084 629 01 | hexagon nut M 6 F 991S6 81184>> | | 2 | |
| 4 | 900 380 015 01 | hexagon nut M 6 F >>995S6 80459 | | 2 | |
| 6 | 996 610 111 00 | relay carrier support frame | | 1 | |
| 7 | 996 610 126 00 | support F >>995S6 80459 | /R | 1 | |
| (7) | 987 610 118 00 | support F 995S6 80460>> | /R | 1 | |
| 8 | 996 610 127 00 | support F >>995S6 80459 | /L | 1 | |
| (8) | 987 610 117 00 | support F 995S6 80460>> | /L | 1 | |
| - | 996 610 128 00 | fixing clip | 04- | 2 | CABRIO |
| 9 | 928 610 511 00 | relay carrier | | X | |
| 10 | - | relay | | | |
| S1 | 141 951 253 B | relay - dme - | | 1 | |
| S2 | 141 951 253 B | relay ignition | | 1 | |
| S3 | 996 615 102 00 | relay spoiler | | 1 | |

| | | | | | | | | | | | |
|-------|------|----|----|--------------|--------------|-----|-------|------------|---------|-----|---------|
| Model | Year | MG | SG | Illustration | Restrictions | UPD | 20:15 | 24.01.2010 | PORSCHE | PET | PORSCHE |
| 996T | 2005 | 9 | 02 | 902-01 | | 248 | | | | | |

| Pos | Part Number | Description | Remark | Qty | Model | Pos | Part Number | Description | Remark | Qty | Model |
|------|------------------|--|--------|-----|--------|-----|-------------|-------------|--------|-----|-------|
| S4 | A 964 615 215 00 | relay air conditioner | | 1 | M573 | | | | | | |
| S4 | 999 657 018 90 | relay air conditioner | | 1 | M573 | | | | | | |
| S5 | 996 615 112 00 | relay rear window heating | 04- | 1 | CABRIO | | | | | | |
| S7 | 141 951 253 B | relay starter | | 1 | | | | | | | |
| S8 | 141 951 253 B | relay blower engine compartment | | 1 | | | | | | | |
| S9 | 996 615 122 00 | relay spoiler only together with driving mechanism spoiler 996.512.241.01 see tpi GR.9 , NR. 21 | 01 | 1 | | | | | | | |
| S9 | 996 615 102 00 | relay spoiler | 02- | 1 | | | | | | | |
| S10A | 993 615 115 00 | relay secondary pump | | 1 | M661 | | | | | | |
| S10 | 993 615 115 01 | relay secondary pump | | 1 | M661 | | | | | | |
| 11 | 999 650 193 40 | fuse holder | | 1 | M661 | | | | | | |
| 12 | 999 650 371 40 | locking device | | 1 | M661 | | | | | | |
| - | 999 650 194 22 | contact bush | | X | M661 | | | | | | |
| - | 999 607 073 00 | fuse 40 A | | 1 | | | | | | | |

| | | | | | | | | | | | |
|-------|------|----|----|--------------|--------------|-----|-------|------------|---------|-----|---------|
| Model | Year | MG | SG | Illustration | Restrictions | UPD | 20:15 | 24.01.2010 | PORSCHE | PET | PORSCHE |
| 996T | 2005 | 9 | 02 | 902-05 | | 248 | | | | | |



| Pos | Part Number | Description | Remark | Qty | Model |
|------|----------------|---|--------|-----|-------|
| | | battery power distributor starter generator battery main switch | | | |
| 1 | 997 611 090 00 | ground strap | /LL | 1 | |
| (1) | 997 611 091 00 | ground strap | /RL | 1 | |
| 2 | 999 611 080 20 | battery 80 AH | | 1 | |
| 2 | 999 611 070 20 | battery 70 AH | | 1 | GT2 |
| 3 | 893 915 507 | angled pipe | | 1 | |
| 4 | 996 612 090 09 | cable battery power distributor | /LL | 1 | |
| (4) | 996 612 090 10 | cable battery power distributor | /RL | 1 | |
| 5 | 900 380 005 09 | hexagon nut VM 8 | | 2 | |
| 6 | 900 084 030 02 | hexagon nut M 8 for power distributor | | 2 | |
| 7 | 996 610 309 00 | protection cap terminal clamp power distributor | | 1 | |
| 8 | 996 610 302 00 | flange gasket for power distributor | | 1 | |
| 9 | 900 378 017 01 | hexagon-head bolt M 8 X 20 | | 1 | |
| 10 | 996 611 209 00 | rail | | 1 | |
| (11) | 996 504 151 02 | carrier plate for battery | | 1 | |
| (11) | 997 504 151 01 | carrier plate for battery | | 1 | |
| - | 996 504 622 01 | gasket carrier plate for battery | | 1 | |
| 12 | 999 084 630 01 | hexagon nut VM 8 SB | | 4 | |

| | | | | | | | | | | | |
|-------|------|----|----|--------------|--------------|-----|-------|------------|---------|-----|---------|
| Model | Year | MG | SG | Illustration | Restrictions | UPD | 20:15 | 24.01.2010 | PORSCHE | PET | PORSCHE |
| 996T | 2005 | 9 | 02 | 902-05 | | 248 | | | | | |

| Pos | Part Number | Description | Remark | Qty | Model | Pos | Part Number | Description | Remark | Qty | Model |
|-----|----------------|---|--------|-----|-------|------|----------------|--|--------|-----|-------|
| 13 | 996 610 306 00 | repair kit replacement fuse element comprising: | | 1 | | (17) | 996 612 043 00 | cable power distributor starter | /RL | 1 | M480 |
| - | - | fuse element 50 AMPERE | | 1 | | 19 | 996 612 042 01 | cable power distributor connection point | /LL | 1 | M249 |
| - | - | fuse element 80 AMPERE | | 1 | | (19) | 996 612 044 00 | cable power distributor connection point | /RL | 1 | M249 |
| - | - | hexagon nut M 5 | | 4 | | | | when required order also: | | | |
| 6 | 900 084 030 02 | hexagon nut M 8 | | 1 | | - | 996 610 187 00 | cable holder | | 1 | |
| - | - | intermediate layer | | 4 | | - | 999 919 172 09 | hexagon-head bolt 7,0 X 14 | | 1 | |
| - | - | cover blue | | 1 | | 21 A | 900 075 497 02 | hexagon-head bolt M 5 X 10 Z2 | | 1 | |
| 14 | 996 610 311 00 | seal label red | | 2 | | 21 | 900 075 497 01 | combination screw M 5 X 10 Z2 | | 1 | |
| 14 | 996 610 311 00 | seal label red | | 2 | | 22 A | 999 507 702 02 | speed nut M 5 | | 1 | |
| 15 | 900 084 031 02 | hexagon nut M 6 for power distributor | | 7 | | 22 | 999 507 702 01 | speed nut M 5 | | 1 | |
| 16 | 996 610 308 00 | repair kit replacement power distributor comprising: | | 1 | | 23 | 900 377 010 01 | hexagon nut M 6 | | 1 | |
| - | - | power distributor complete | | 1 | | 24 | 996 607 033 02 | wiring harness with connection point starter | | 1 | M249 |
| 15 | 900 084 031 02 | hexagon nut M 6 | | 7 | | 25 | 986 611 201 01 | connection point complete | | 1 | M249 |
| 6 | 900 084 030 02 | hexagon nut M 8 | | 2 | | 26 | 996 607 115 00 | support | | 2 | M249 |
| 14 | 996 610 311 00 | seal label red use also: POS. 8 | | 2 | | 27 | 999 919 046 01 | hexagon-head bolt 5 X 16 | | 2 | M249 |
| 17 | 996 612 041 01 | cable power distributor starter | /LL | 1 | M480 | (28) | 996 607 031 04 | wiring harness | | 1 | M480 |
| | | | | | | 28 | 996 607 032 04 | wiring harness with connection point generator starter | | 1 | M249 |
| | | | | | | 29 | 996 611 202 00 | connection point complete | | 1 | |

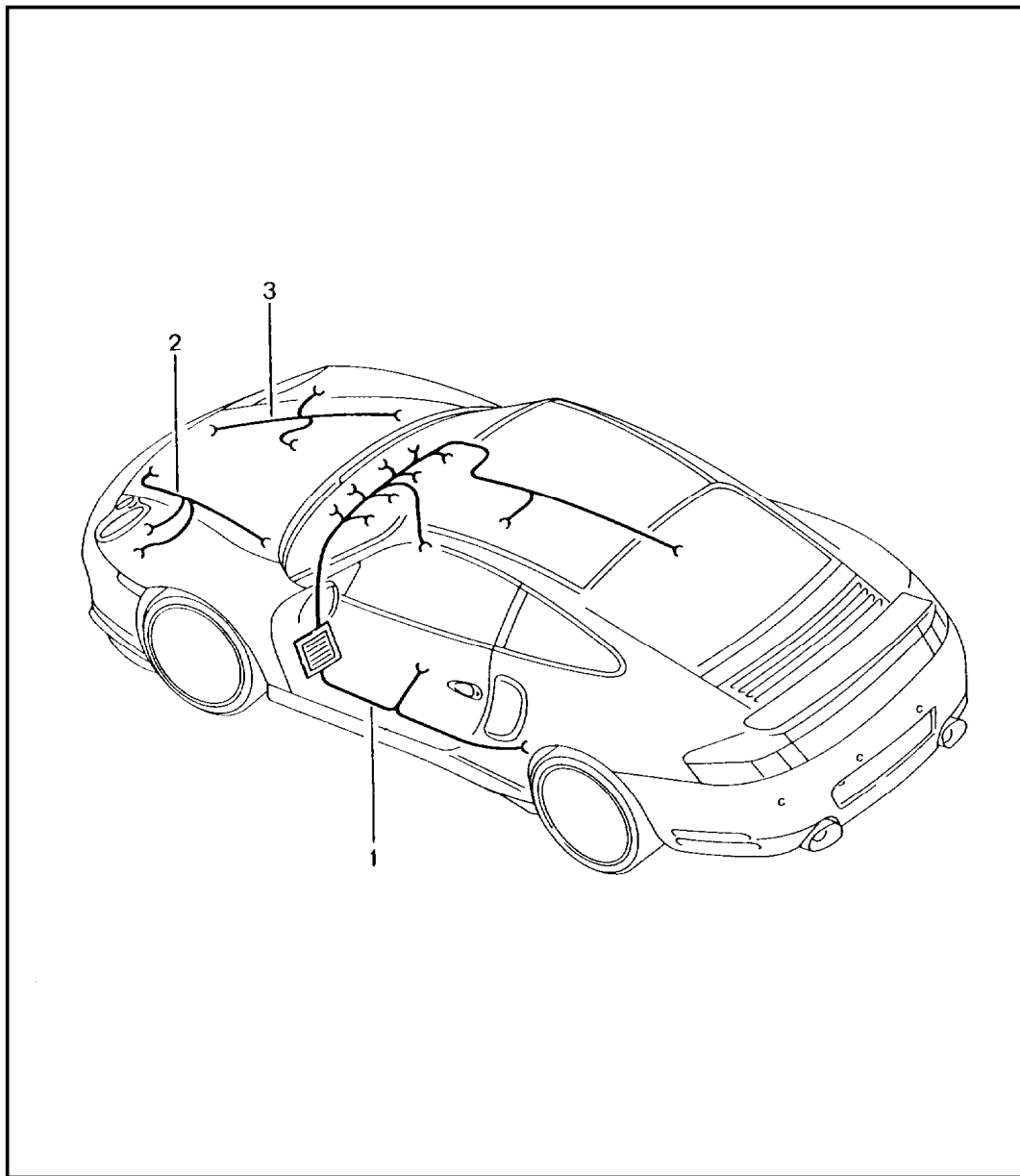
| | | | | | | | | | | | |
|-------|------|----|----|--------------|--------------|-----|-------|------------|---------|-----|---------|
| Model | Year | MG | SG | Illustration | Restrictions | UPD | 20:15 | 24.01.2010 | PORSCHE | PET | PORSCHE |
| 996T | 2005 | 9 | 02 | 902-05 | | 248 | | | | | |

| Pos | Part Number | Description | Remark | Qty | Model | Pos | Part Number | Description | Remark | Qty | Model |
|------|------------------|--|--------|-----|-------|-----|------------------|--|--------|-----|-----------------|
| 30 | 900 378 035 01 | hexagon-head bolt M 6 X 16 | | 2 | M480 | - | 996 603 153 50 | protection cap for pulley with free wheel lock | | 1 | M480 |
| 31 | A 996 607 042 00 | support | | 1 | M249 | | | | | | |
| 31 | 996 607 042 01 | support | | 1 | M249 | | | | | | |
| 32 | > 996 604 107 00 | starter | | 1 | | 39 | N 012 016 1 | lock ring B 16 | | 1 | |
| 33 | 900 377 010 01 | hexagon nut M 6 | | 1 | | 40 | 900 034 013 01 | hexagon nut M 16 X 1,5 | | 1 | |
| 34 | 900 378 101 09 | hexagon-head bolt AM 10 X 35 | | 2 | | - | 996 603 113 00 | protection cap for POS. 40 | | 1 | M249 |
| 35 | 996 604 118 00 | protection cap | | 1 | M480 | | | | | | |
| (35) | 996 604 117 00 | protection cap starter | | 1 | M249 | | | mounting parts regulator generator | | | |
| 36 | 996 607 034 01 | ground strap engine body | | 1 | | - | 000 043 204 22 | oval-head screw M 4 X 19 micro-self-locking | | 2 | |
| 37 | A 997 603 012 04 | generator with pulley without free wheel lock | | 1 | M249 | - | 000 043 204 23 | spring washer B4 | | 2 | |
| 37 | > 997 603 012 06 | generator with pulley without free wheel lock | | 1 | M249 | - | 900 378 167 09 | hexagon-head bolt M 10 X 110 | | 1 | |
| (37) | A 997 603 012 05 | generator with pulley free wheel lock | | 1 | M480 | 41 | 900 377 003 03 | hexagon nut M 8 | | 3 | |
| (37) | > 997 603 012 07 | generator with pulley free wheel lock | | 1 | M480 | 42 | 999 076 069 02 | hexagon nut M 8 | | 1 | |
| 38 | 996 603 151 55 | pulley without free wheel lock | | 1 | M249 | - | K 996 612 921 70 | assembly kit battery main switch comprising: | | 1 | GT2 M003/581 |
| (38) | 996 603 152 50 | pulley with free wheel lock use also: 996.603.153.50 | | 1 | M480 | - | K 996 612 227 70 | battery main switch | | 1 | |
| | | | | | | - | K 996 613 185 70 | switch inner complete with trim for switch | | 1 | |
| | | | | | | - | 900 378 074 01 | hexagon-head bolt M 8 X 16 | | 1 | |

| | | | | | | | | | | | |
|-------|------|----|----|--------------|--------------|-----|-------|------------|---------|-----|---------|
| Model | Year | MG | SG | Illustration | Restrictions | UPD | 20:15 | 24.01.2010 | PORSCHE | PET | PORSCHE |
| 996T | 2005 | 9 | 02 | 902-05 | | 248 | | | | | |

| Pos | Part Number | Description | Remark | Qty | Model | Pos | Part Number | Description | Remark | Qty | Model |
|-----|------------------|---|--------|-----|-------------|-----|-------------|-------------|--------|-----|-------|
| - | 900 075 459 09 | combination screw M 6 X 12 | | 1 | | | | | | | |
| - | K 996 612 921 75 | assembly kit | | 1 | GT2 M003 | | | | | | |
| | | battery main switch comprising: | | | | | | | | | |
| - | K 996 612 227 70 | battery main switch | | 1 | | | | | | | |
| - | K 996 613 185 75 | switch inner complete with trim for switch | | 1 | | | | | | | |
| - | 900 378 074 01 | hexagon-head bolt M 8 X 16 | | 1 | | | | | | | |
| - | 900 075 459 09 | combination screw M 6 X 12 | | 1 | | | | | | | |
| - | K 996 613 183 70 | rocker switch outer complete with cover | | 1 | GT2 M003 | | | | | | |
| - | K 996 613 261 80 | rocker switch outer | | 1 | GT2 M003 | | | | | | |
| - | K 996 612 393 90 | cable battery main switch power distributor | | 1 | GT2 M003 | | | | | | |

| | | | | | | | | | | | |
|-------|------|----|----|--------------|--------------|-----|-------|------------|---------|-----|---------|
| Model | Year | MG | SG | Illustration | Restrictions | UPD | 20:15 | 24.01.2010 | PORSCHE | PET | PORSCHE |
| 996T | 2005 | 9 | 02 | 902-10 | | 248 | | | | | |

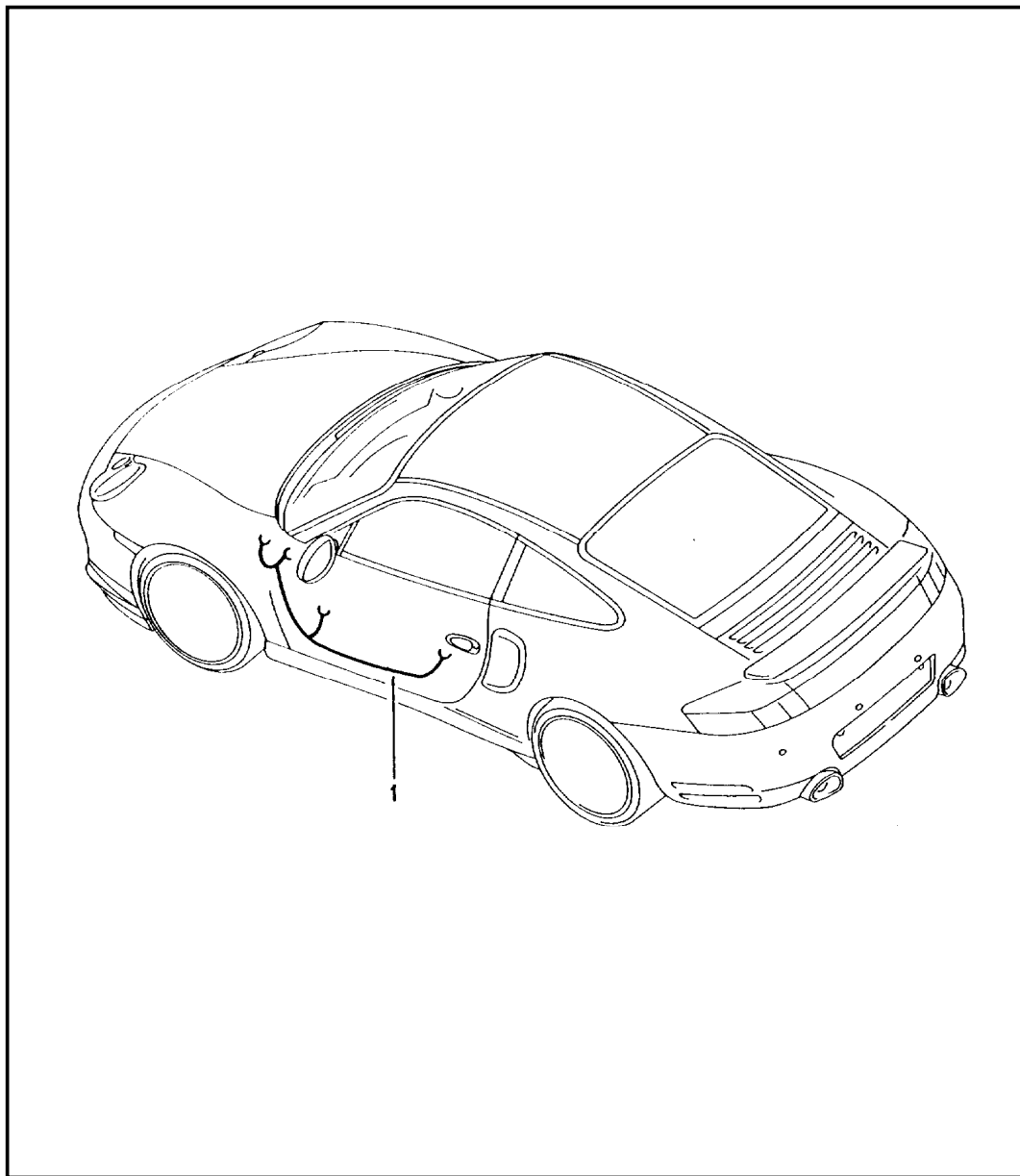


| Pos | Part Number | Description | Remark | Qty | Model |
|-----|----------------|---|--------|-----|-------|
| | | wiring harnesses passenger compartment glove compartment FRONT luggage compartment repair kit anti-lock brake system brake pad wear indicator front axle | | | |
| 1 | 996 622 903 00 | wiring harness passenger compartment vehicle identification no. indicate | | 1 | |
| - | 996 610 120 00 | support plug socket diagnostic connector | | 1 | |
| - | 999 651 302 40 | fixing clip wiring harness passenger compartment door sill | | X | |
| - | 999 651 284 40 | fixing clip wiring harness passenger compartment door sill | | X | |
| - | 996 622 501 00 | wiring harness glove compartment | 02- | 1 | |
| - | 999 650 564 40 | support microswitch | 02- | 1 | |
| - | 999 650 565 40 | support connector housing | 02- | 1 | |
| 2 | 996 622 313 00 | wiring harness FRONT luggage compartment | /L | 01 | 1 |
| 2 | 996 622 313 15 | wiring harness FRONT luggage compartment | /L | 02- | 1 |
| 3 | 996 622 312 00 | wiring harness FRONT luggage compartment | /R | 01 | 1 |
| 3 | - | wiring harness FRONT luggage compartment is a component of wiring harness passenger compartment repair kit wiring harness anti-lock brake system brake pad wear indicator front axle | /R | 02- | 1 |

| | | | | | | | | | | | |
|-------|------|----|----|--------------|--------------|-----|-------|------------|---------|-----|---------|
| Model | Year | MG | SG | Illustration | Restrictions | UPD | 20:15 | 24.01.2010 | PORSCHE | PET | PORSCHE |
| 996T | 2005 | 9 | 02 | 902-10 | | 248 | | | | | |

| Pos | Part Number | Description | Remark | Qty | Model | Pos | Part Number | Description | Remark | Qty | Model |
|-----|----------------|---|--------|-----|-------|-----|-------------|-------------|--------|-----|-------|
| - | 996 612 957 00 | repair kit wiring harness | /V/L | 1 | | | | | | | |
| - | 996 612 957 70 | repair kit wiring harness | /V/L | 1 | GT2 | | | | | | |
| - | 996 612 958 00 | repair kit wiring harness | /V/R | 1 | | | | | | | |
| - | 996 612 958 70 | repair kit wiring harness | /V/R | 1 | GT2 | | | | | | |
| | | repair kit wiring harness rear axle see group 9 / 02 / 20 | | | | | | | | | |

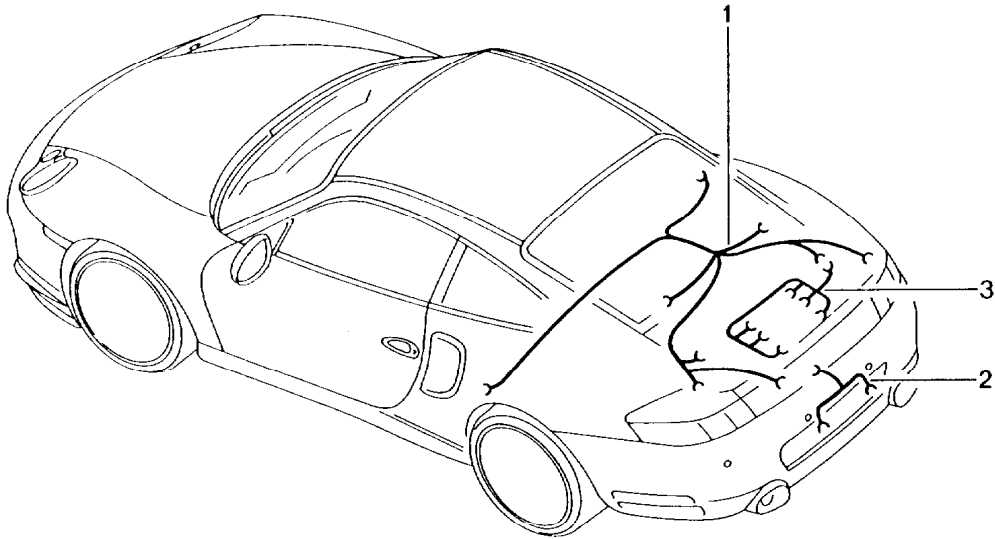
| | | | | | | | | | | | |
|-------|------|----|----|--------------|--------------|-----|-------|------------|---------|-----|---------|
| Model | Year | MG | SG | Illustration | Restrictions | UPD | 20:15 | 24.01.2010 | PORSCHE | PET | PORSCHE |
| 996T | 2005 | 9 | 02 | 902-15 | | 248 | | | | | |



| Pos | Part Number | Description | Remark | Qty | Model |
|-----|----------------|---|--------|-----|--------|
| | | wiring harnesses driver's door passenger's door convertible top control auxiliary support | | | |
| 1 | 996 612 634 11 | wiring harness driver's door | | 1 | |
| (1) | 996 612 635 11 | wiring harness passenger's door | | 1 | |
| | | mount wiring harness doors | | | |
| - | 999 703 470 40 | cable clamp | | 2 | M273 |
| - | 999 507 627 02 | cable clamp | | 2 | |
| - | 996 610 141 01 | rubber boot a-pillar | | 2 | |
| - | 996 610 144 00 | frame reinforcement rubber boot a-pillar | | 2 | |
| - | 996 610 321 00 | cable holder door arrester | | 2 | |
| - | - | wiring harness convertible top control see group 8/11/07 | 04- | 1 | CABRIO |
| - | - | wiring harness auxiliary support see group 8/11/15 | 04- | 1 | CABRIO |

| | | | | | | | | | | | |
|-------|------|----|----|--------------|--------------|-----|-------|------------|---------|-----|---------|
| Model | Year | MG | SG | Illustration | Restrictions | UPD | 20:15 | 24.01.2010 | PORSCHE | PET | PORSCHE |
| 996T | 2005 | 9 | 02 | 902-20 | | 248 | | | | | |

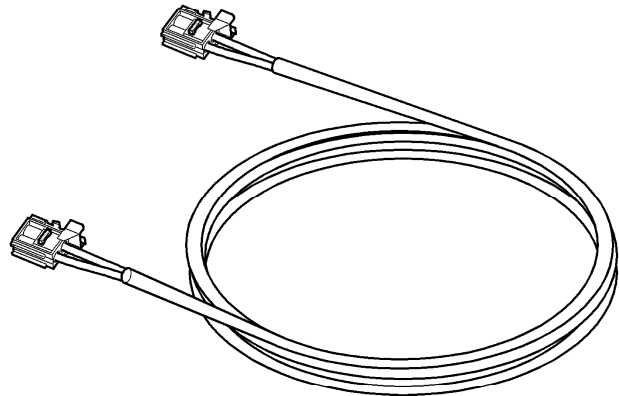
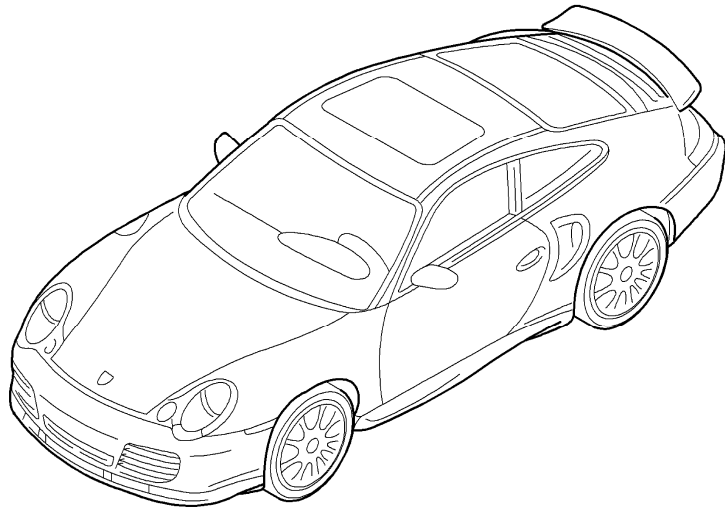
| Pos | Part Number | Description | Remark | Qty | Model |
|-----|----------------|--|--------|-----|----------------|
| | | | | | |
| | | wiring harnesses rear end additional brake light rear lid license plate light engine transmission repair kit anti-lock brake system brake pad wear indicator rear axle | | | |
| 1 | 996 622 905 00 | wiring harness rear end vehicle identification no. indicate | | 1 | |
| - | 996 612 507 02 | wiring harness additional brake light | 04- | 1 | CABRIO M602 |
| - | 996 423 101 00 | protective tube for wiring harness | 04- | 1 | CABRIO M602 |
| - | 996 612 070 30 | wiring harness rear lid | | 1 | IXAF |
| - | 996 612 070 70 | wiring harness rear lid | | 1 | GT2 |
| 2 | 996 612 060 00 | wiring harness license plate light | | 1 | |
| (2) | 996 612 063 00 | wiring harness license plate light | | 1 | M635 |
| - | 999 650 013 40 | fixing clip connection point wiring harness license plate light | | 1 | |
| 3 | 996 607 015 03 | wiring harness engine | -02 | 1 | |
| 3 | 996 607 015 05 | wiring harness engine | 03- | 1 | |
| - | 996 607 121 00 | cable guide | /L | 1 | |
| - | 996 607 122 00 | cable guide | /R | 1 | |
| - | 996 607 101 02 | support connection point wiring harness engine | | 1 | |



| | | | | | | | | | | | |
|-------|------|----|----|--------------|--------------|-----|-------|------------|---------|-----|---------|
| Model | Year | MG | SG | Illustration | Restrictions | UPD | 20:15 | 24.01.2010 | PORSCHE | PET | PORSCHE |
| 996T | 2005 | 9 | 02 | 902-20 | | 248 | | | | | |

| Pos | Part Number | Description | Remark | Qty | Model | Pos | Part Number | Description | Remark | Qty | Model |
|-----|----------------|--|--------|-----|-------|-----|-------------|-------------|--------|-----|-------|
| (3) | 996 612 401 00 | wiring harness transmission | | 1 | M249 | | | | | | |
| - | 999 507 752 40 | cable holder for wiring harness transmission | | 1 | M249 | | | | | | |
| - | 999 591 746 02 | cable holder for wiring harness transmission | | 3 | M249 | | | | | | |
| (3) | 996 612 401 70 | wiring harness transmission cooling repair kit wiring harness anti-lock brake system brake pad wear indicator rear axle | | 1 | GT2 | | | | | | |
| - | 996 612 953 01 | repair kit wiring harness | /H/L | 1 | | | | | | | |
| - | 996 612 954 01 | repair kit wiring harness repair kit wiring harness front axle see group 9 / 20 / 10 | /H/R | 1 | | | | | | | |

| | | | | | | | | | | | |
|-------|------|----|----|--------------|--------------|-----|-------|------------|---------|-----|---------|
| Model | Year | MG | SG | Illustration | Restrictions | UPD | 20:16 | 24.01.2010 | PORSCHE | PET | PORSCHE |
| 996T | 2005 | 9 | 02 | 902-50 | | 248 | | | | | |

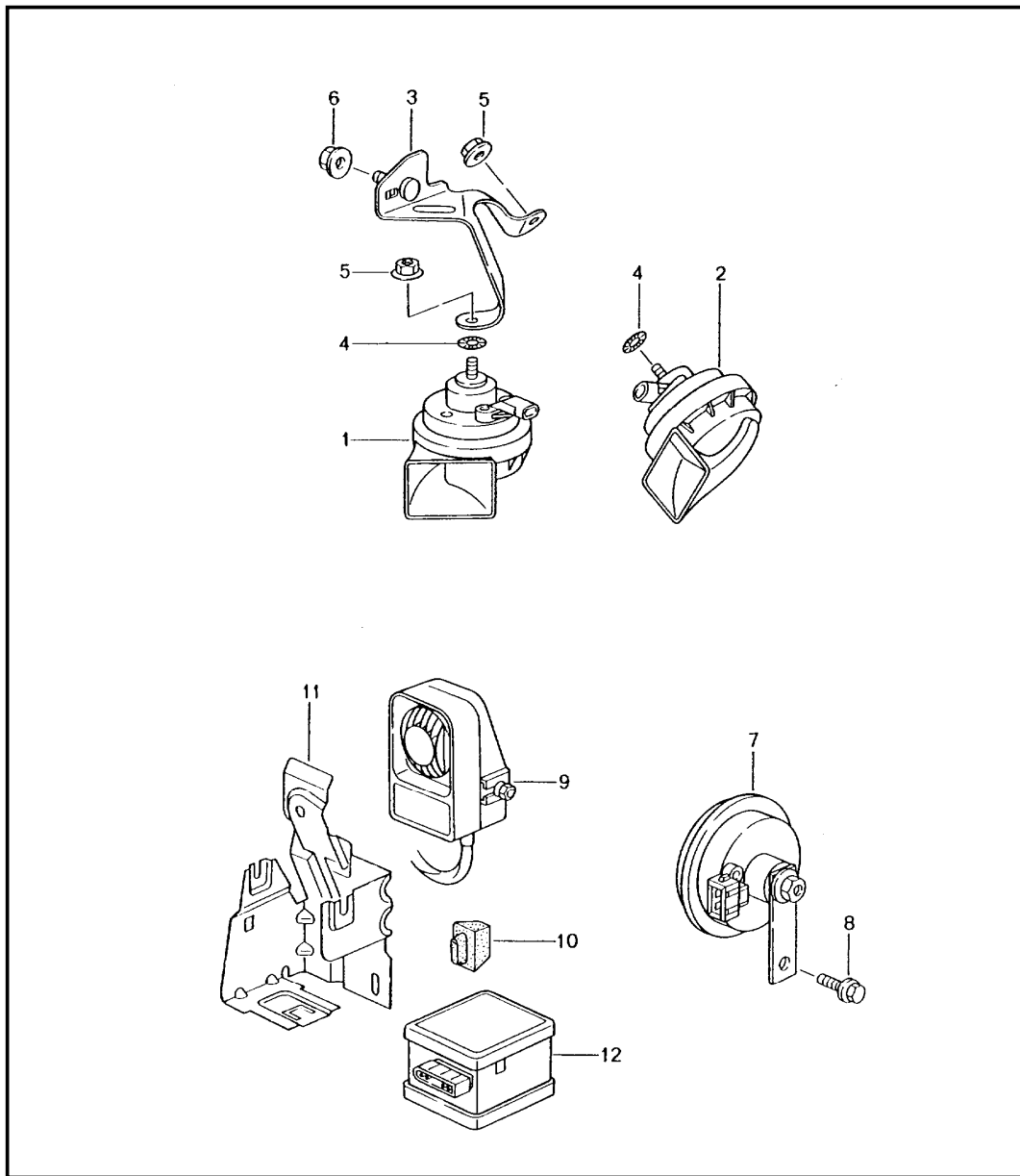


| Pos | Part Number | Description | Remark | Qty | Model |
|-----|----------------|--|--------|-----|---------------|
| - | 996 622 701 00 | optical waveguide module | /LL | 1 | M680 |
| - | 996 622 721 00 | optical waveguide module | /RL | 1 | M680 |
| - | 996 622 702 00 | optical waveguide module | /LL | 1 | GT2 M666 |
| - | 996 622 722 00 | optical waveguide module | /RL | 1 | GT2 M666 |
| - | 996 622 707 00 | optical waveguide module | /LL | 1 | M666/680 |
| - | 996 622 727 00 | optical waveguide module | /RL | 1 | M666/680 |
| - | 996 622 708 00 | optical waveguide module | /LL | 1 | M680/692 |
| - | 996 622 728 00 | optical waveguide module | /RL | 1 | M680/692 |
| - | 996 622 729 00 | optical waveguide module | /LL | 1 | GT2 M692 |
| - | 996 622 709 00 | optical waveguide module | /LL | 1 | GT2 M692 |
| - | 996 622 718 00 | optical waveguide module | /LL | 1 | M666/680 M692 |
| - | 996 622 738 00 | optical waveguide module | /RL | 1 | M666/680 M692 |
| - | 996 622 739 00 | optical waveguide module | /LL | 1 | GT2 M666 M692 |
| - | 996 622 719 00 | optical waveguide module | /RL | 1 | GT2 M666 M692 |
| - | 996 610 122 00 | support connection point luggage compartment | | 1 | |
| - | 999 507 804 40 | expander nut for support | | 1 | |

| | | | | | | | | | | | |
|-------|------|----|----|--------------|--------------|-----|-------|------------|---------|-----|---------|
| Model | Year | MG | SG | Illustration | Restrictions | UPD | 20:16 | 24.01.2010 | PORSCHE | PET | PORSCHE |
| 996T | 2005 | 9 | 02 | 902-50 | | 248 | | | | | |

| Pos | Part Number | Description | Remark | Qty | Model | Pos | Part Number | Description | Remark | Qty | Model |
|-----|----------------|---|--------|-----|-------|-----|-------------|-------------|--------|-----|-------|
| - | 996 610 132 00 | cable guide t-piece luggage compartment | | 1 | | | | | | | |

| | | | | | | | | | | | |
|-------|------|----|----|--------------|--------------|-----|-------|------------|---------|-----|---------|
| Model | Year | MG | SG | Illustration | Restrictions | UPD | 20:16 | 24.01.2010 | PORSCHE | PET | PORSCHE |
| 996T | 2005 | 9 | 03 | 903-00 | | 248 | | | | | |

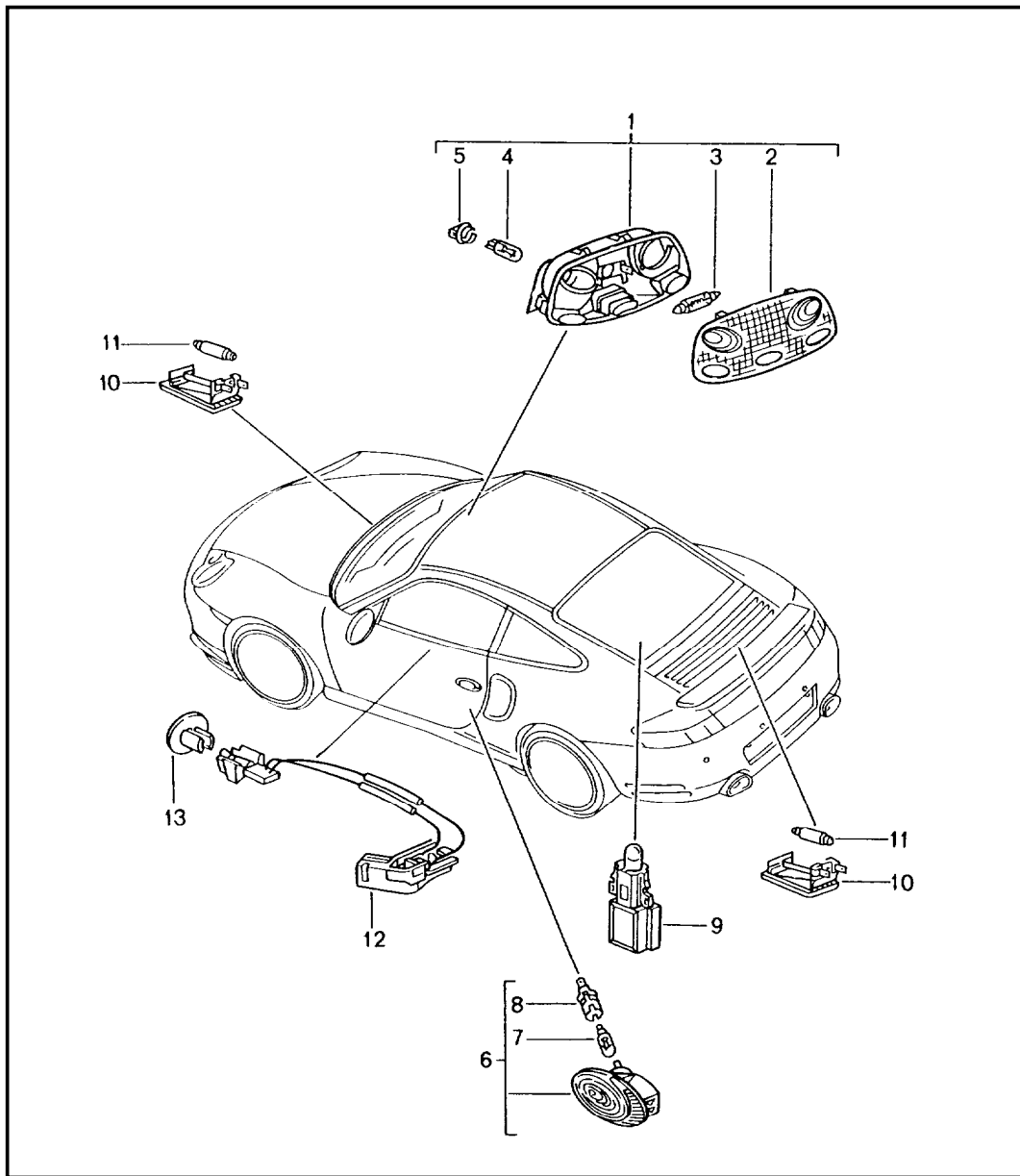


| Pos | Part Number | Description | Remark | Qty | Model |
|------|----------------|---|--------|-----|-------|
| | | fanfare horn alarm system | | | |
| 1 | 996 635 206 04 | fanfare high-pitched | | 1 | |
| 2 | 996 635 205 04 | fanfare low-pitched | | 1 | |
| 3 | 996 635 150 00 | support | | 1 | TURBO |
| (3) | 996 635 150 30 | support | | 1 | GT2 |
| 4 | N 042 121 3 | shake-proof washer A 6,4 | | 2 | |
| 5 | 900 380 015 01 | hexagon nut M 6 | | 2 | |
| 6 | 900 377 003 03 | hexagon nut M 8 | | 1 | |
| 7 A | 996 637 117 02 | horn for alarm system | | 1 | |
| 7 | 996 637 117 03 | horn for alarm system | | 1 | |
| 8 | 900 075 459 09 | combination screw M 6 X 12 Z2 | | 1 | |
| 9 | 996 618 237 04 | alarm siren | | 1 | M536 |
| 10 | 999 703 459 40 | rubber mounting | | 1 | M536 |
| 11 | 996 637 420 01 | support | /LL | 1 | M536 |
| (11) | 996 637 419 01 | support | /RL | 1 | M536 |
| 12 A | 996 618 265 00 | tilt sensor see technical manual GR.9 / 96 64 32 use also: | -01 | 1 | M536 |
| - | 996 622 904 00 | wiring harness | | 1 | |
| - | 999 650 118 40 | clip | | 1 | M536 |
| (12) | 996 618 265 01 | tilt sensor | 02- | 1 | M536 |
| - | 996 637 421 00 | support tilt sensor | 02- | 1 | M536 |

| | | | | | | | | | | | |
|-------|------|----|----|--------------|--------------|-----|-------|------------|---------|-----|---------|
| Model | Year | MG | SG | Illustration | Restrictions | UPD | 20:16 | 24.01.2010 | PORSCHE | PET | PORSCHE |
| 996T | 2005 | 9 | 03 | 903-00 | | 248 | | | | | |

| Pos | Part Number | Description | Remark | Qty | Model | Pos | Part Number | Description | Remark | Qty | Model |
|-----|----------------|-------------------------------|--------|-----|-------|-----|-------------|-------------|--------|-----|-------|
| - | 900 378 179 09 | hexagon-head bolt M 6 X 16 | 02- | 1 | M536 | | | | | | |
| - | 999 500 078 00 | sheetmetal press nut M 6 | 02- | 1 | M536 | | | | | | |

| | | | | | | | | | | | |
|-------|------|----|----|--------------|--------------|-----|-------|------------|---------|-----|---------|
| Model | Year | MG | SG | Illustration | Restrictions | UPD | 20:16 | 24.01.2010 | PORSCHE | PET | PORSCHE |
| 996T | 2005 | 9 | 03 | 903-04 | | 248 | | | | | |

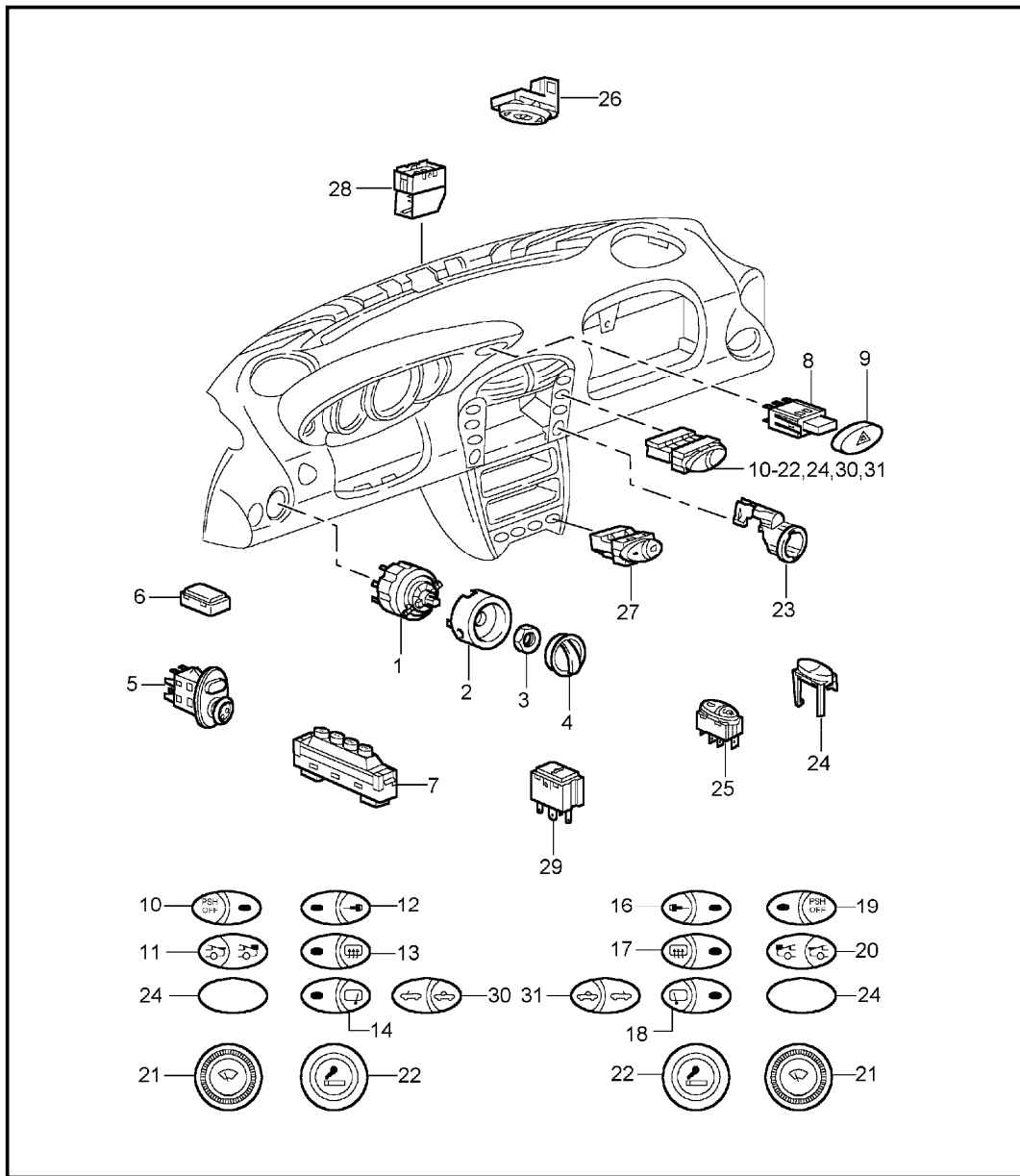


| Pos | Part Number | Description | Remark | Qty | Model |
|------|----------------|---|--------|-----|-------|
| | | interior lights luggage compartment lamp engine compartment lamp footwell light glove compartment light combined lights door opener | | | |
| 1 | 996 632 051 01 | interior light | 01 | 1 | M265 |
| 1 | 996 632 051 10 | interior light | 02- | 1 | M265 |
| (1) | 996 632 053 01 | interior light | 01 | 1 | |
| (1) | 996 632 053 10 | interior light | 02- | 1 | GT2 |
| 2 | 996 632 151 00 | lens | | 1 | M265 |
| (2) | 996 632 153 00 | lens | 01 | 1 | |
| (2) | 996 632 153 10 | lens | 02- | 1 | GT2 |
| 3 | 900 631 106 90 | bulb 10 W | | 1 | |
| 4 | 999 631 134 90 | bulb 6 W | | 2 | |
| 5 | 999 632 018 00 | bulb socket | | 2 | |
| 6 | 996 632 132 01 | door guard light | | 2 | |
| 7 | 999 631 032 90 | bulb 5 W | | 2 | |
| 8 | 161 949 111 | bulb socket | | 2 | |
| 9 | 996 632 113 00 | ashtray light | | 1 | |
| | | luggage compartment lamp engine compartment lamp footwell light | | | IXX2 |
| 10 | 997 632 201 00 | light | | 2 | |
| - | 996 632 980 00 | support footwell light | | 2 | IXX2 |
| (10) | 928 632 101 00 | glove compartment light | 02- | 1 | |
| 11 | 900 631 106 90 | linolite lamp 10 W luggage compartment lamp engine compartment lamp | | 2 | |

| | | | | | | | | | | | |
|-------|------|----|----|--------------|--------------|-----|-------|------------|---------|-----|---------|
| Model | Year | MG | SG | Illustration | Restrictions | UPD | 20:16 | 24.01.2010 | PORSCHE | PET | PORSCHE |
| 996T | 2005 | 9 | 03 | 903-04 | | 248 | | | | | |

| Pos | Part Number | Description | Remark | Qty | Model | Pos | Part Number | Description | Remark | Qty | Model |
|------|----------------|--|--------|-----|-------|-----|-------------|-------------|--------|-----|-------|
| (11) | 999 631 018 90 | linolite lamp 3 W glove compartment light | 02- | 1 | | | | | | | |
| - | 999 631 137 90 | bulb | 01 | 4 | M274 | | | | | | |
| - | 999 631 147 90 | bulb 3 W vanity mirror | 02- | 4 | M274 | | | | | | |
| 12 | 996 632 121 02 | combined lights driver's door door opener ignition starter lock | /LL | 1 | | | | | | | |
| (12) | 996 632 124 02 | combined lights driver's door door opener ignition starter lock | /RL | 1 | | | | | | | |
| (12) | 996 632 122 02 | combined lights passenger's door door opener | /LL | 1 | | | | | | | |
| (12) | 996 632 123 02 | combined lights passenger's door door opener | /RL | 1 | | | | | | | |
| 13 | 996 632 125 00 | rosette driver's door combined lights ignition starter lock | /LL | 1 | | | | | | | |
| (13) | 996 632 126 00 | rosette driver's door combined lights ignition starter lock | /RL | 1 | | | | | | | |

| | | | | | | | | | | | |
|-------|------|----|----|--------------|--------------|-----|-------|------------|---------|-----|---------|
| Model | Year | MG | SG | Illustration | Restrictions | UPD | 20:16 | 24.01.2010 | PORSCHE | PET | PORSCHE |
| 996T | 2005 | 9 | 03 | 903-05 | | 248 | | | | | |



| Pos | Part Number | Description | Remark | Qty | Model |
|-----|----------------|----------------------------------|--------|-----|----------------------|
| 1 | 996 613 535 00 | switch | | 1 | |
| 2 | 996 613 631 01 | light switch | /LL | 1 | |
| (2) | 996 613 632 01 | headlight unit | /RL | 1 | |
| 3 | 999 034 030 09 | hexagon nut M 16 X 1 | | 1 | |
| 4 | 996 613 533 01 | rotary knob | 01 | 1 | |
| | A01 | gloss black | | | |
| 4 | 996 613 533 10 | rotary knob | 02- | 1 | |
| | A05 | black mat | | | |
| 5 | 996 613 241 00 | switch | | 1 | M273 |
| | 01C | satin black door mirror | | | |
| (5) | 996 613 980 01 | switch door mirror leather | | 1 | IXTJ/XTK/XTL IXTR |
| | A11 | black | | | |
| | C51 | graphite grey | | | |
| | S31 | savanna | | | |
| | G11 | metropole blue | | | |
| | J31 | nephrite green | | | |
| | M31 | boxster red | | | |
| | P12 | cinnamon brown | | | |
| | D12 | dark grey/natural | | | |
| | T12 | brown/natural | | | |
| 6 | 996 613 423 00 | cover rear spoiler | | 1 | |
| 7 | 996 613 103 01 | memory switch | 01 | 1 | M537/538 |
| (7) | 996 613 103 02 | memory switch | 02- | 1 | M537/538 |
| 8 | 996 613 120 01 | hazard warning light sw. | | 1 | |
| 9 | 996 613 121 00 | key | 01 | 1 | |

| | | | | | | | | | | | |
|-------|------|----|----|--------------|--------------|-----|-------|------------|---------|-----|---------|
| Model | Year | MG | SG | Illustration | Restrictions | UPD | 20:16 | 24.01.2010 | PORSCHE | PET | PORSCHE |
| 996T | 2005 | 9 | 03 | 903-05 | | 248 | | | | | |

| Pos | Part Number | Description | Remark | Qty | Model | Pos | Part Number | Description | Remark | Qty | Model |
|-----|----------------|--|---------|-----|-------|-----|----------------|---------------------------------|---------|-----|-------|
| 9 | 996 613 121 10 | A02 gloss black key | 02- | 1 | | 14 | 996 613 136 10 | tip switch | /LL 02- | 1 | M425 |
| - | - | A05 black mat rosette hazard warning light sw. see group 8 / 09 / 00 | | X | | 16 | 996 613 143 00 | tip switch | /RL 01 | 1 | |
| 10 | 996 613 145 00 | A02 gloss black tip switch | /LL 01 | 1 | M476 | 16 | 996 613 143 10 | tip switch | /RL 02- | 1 | |
| 10 | 996 613 145 10 | A05 black mat tip switch | /LL 02- | 1 | M476 | 17 | 996 613 133 00 | tip switch | /RL 01 | 1 | |
| 11 | 996 613 155 00 | A02 gloss black rear spoiler tip switch | /LL 01 | 1 | | 17 | 996 613 133 10 | tip switch | /RL 02- | 1 | |
| 11 | 996 613 155 10 | A05 black mat rear spoiler tip switch | /LL 02- | 1 | | 18 | 996 613 135 00 | tip switch | /RL 01 | 1 | M425 |
| 12 | 996 613 144 00 | A02 gloss black central locking system tip switch | /LL 01 | 1 | | 18 | 996 613 135 10 | tip switch | /RL 02- | 1 | M425 |
| 12 | 996 613 144 10 | A05 black mat central locking system tip switch | /LL 02- | 1 | | 19 | 996 613 146 00 | tip switch | /RL 01 | 1 | M476 |
| 13 | 996 613 134 00 | A02 gloss black heating rear window door mirror tip switch | /LL 01 | 1 | | 19 | 996 613 146 10 | tip switch | /RL 02- | 1 | M476 |
| 13 | 996 613 134 10 | A05 black mat heating rear window door mirror tip switch | /LL 02- | 1 | | 20 | 996 613 156 00 | tip switch | /RL 01 | 1 | |
| 14 | 996 613 136 00 | A02 gloss black rear window wiper tip switch | /LL 01 | 1 | M425 | 20 | 996 613 156 10 | tip switch | /RL 02- | 1 | |
| | | | | | | | | A05 gloss black rear spoiler | | | |

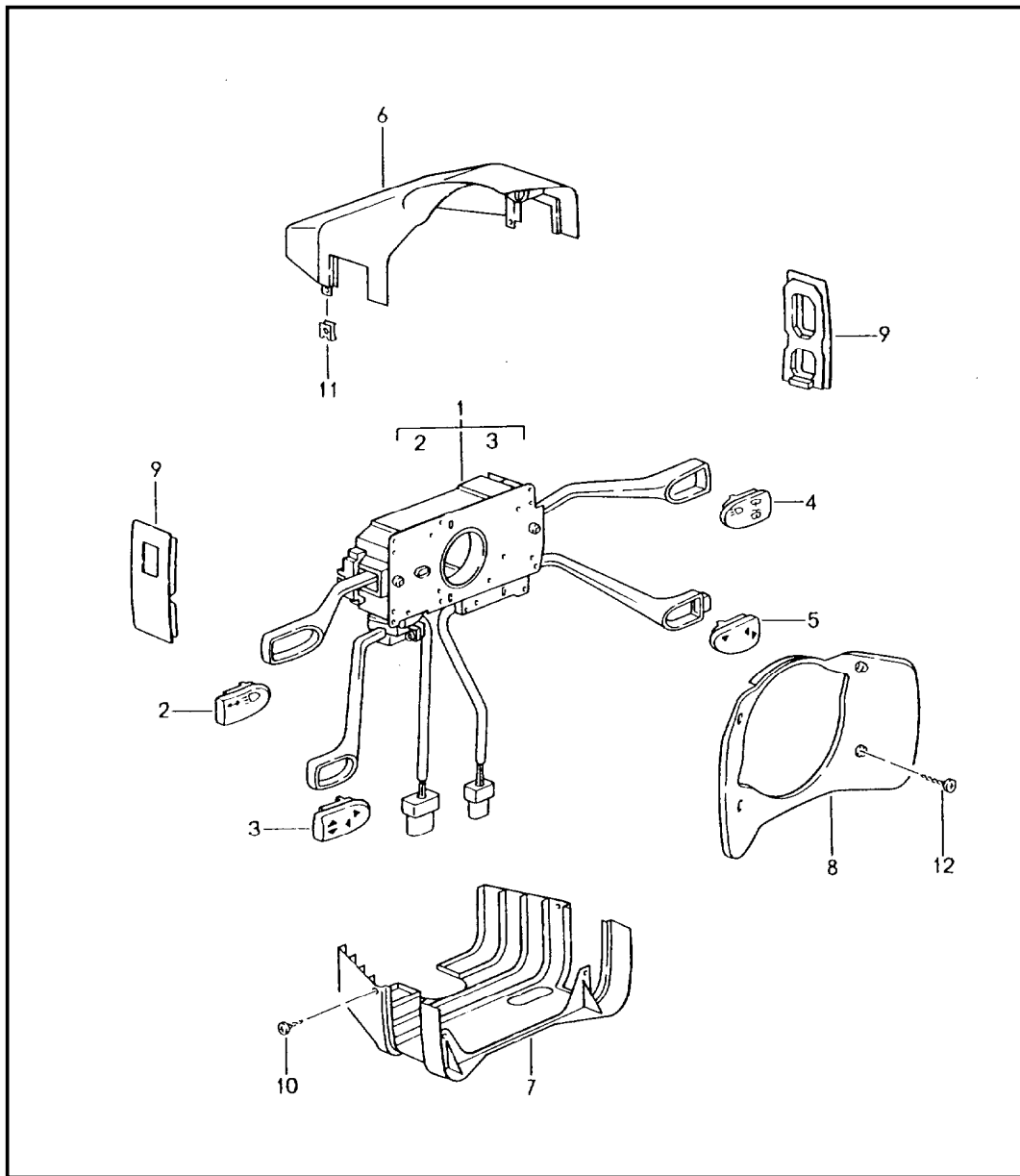
| | | | | | | | | | | | |
|-------|------|----|----|--------------|--------------|-----|-------|------------|---------|-----|---------|
| Model | Year | MG | SG | Illustration | Restrictions | UPD | 20:16 | 24.01.2010 | PORSCHE | PET | PORSCHE |
| 996T | 2005 | 9 | 03 | 903-05 | | 248 | | | | | |

| Pos | Part Number | Description | Remark | Qty | Model | Pos | Part Number | Description | Remark | Qty | Model |
|------|----------------|---|--------|-----|-------|------|----------------|---|----------|-----------|------------------|
| 21 | 996 613 115 00 | potentiometer | 01 | 1 | | | A05 | black mat power windows | | | |
| | A02 | gloss black wipe interval | | | | 26 | 996 613 147 00 | tip switch | 01 | 1 | M650 |
| 21 | 996 613 115 10 | potentiometer | 02- | 1 | GT2 | | A02 | gloss black sunroof | | | |
| | A05 | black mat wipe interval | | | | 26 | 996 613 147 10 | tip switch | 02- | 1 | M650 |
| (21) | 996 613 127 00 | potentiometer | 01 | 1 | M265 | | A05 | black mat sunroof | | | |
| | A02 | gloss black wipe interval | | | | 27 | 996 613 153 00 | tip switch | /L | 01 | M139 |
| (21) | 996 613 127 10 | potentiometer | 02- | 1 | M265 | | A02 | gloss black seat heater | | | |
| | A05 | black mat wipe interval | | | | (27) | 996 613 154 00 | tip switch | /R | 01 | M340 |
| 22 | 996 652 101 00 | cigarette lighter | 01 | 1 | | | A02 | gloss black seat heater | | | |
| 22 A | 996 652 101 10 | cigarette lighter | 02- | 1 | | 27 | 996 613 153 10 | tip switch | /L /L | 02 03- | M139 M342 |
| | A05 | black mat | | | | | A05 | black mat seat heater | | | |
| 22 | 997 652 101 00 | cigarette lighter | 02- | 1 | | (27) | 996 613 154 10 | tip switch | /R /R | 02 03- | M340 M342 |
| | A05 | black mat | | | | | A05 | black mat seat heater | | | |
| 23 | 996 652 102 01 | headlight unit | 01 | 1 | | 28 | 996 653 251 00 | light alarm system with sensor | | 1 | M534/535 M573 |
| 23 | 996 652 102 10 | headlight unit | 02- | 1 | | 29 | 996 613 105 10 | tip switch | | 1 | |
| 24 | 986 613 425 00 | cover | 01 | X | | | A05 | black mat lid front | | | |
| | A01 | gloss black switch display specimen | | | | (29) | 996 613 106 10 | tip switch | | 1 | |
| 24 | 996 613 425 10 | cover | 02- | X | | | A05 | black mat lid rear | | | |
| | A05 | black mat switch display specimen | | | | 30 | 996 613 138 10 | tip switch | /LL | 04- | CABRIO |
| (24) | 996 613 980 06 | tip switch | 02- | 1 | IXX2 | | A05 | black mat convertible top control | | | |
| | A05 | black mat footwell light | | | | | | | | | |
| 25 | 996 613 151 00 | tip switch | 01 | 2 | | | | | | | |
| | A02 | gloss black power windows | | | | | | | | | |
| 25 | 996 613 151 10 | tip switch | 02- | 2 | | | | | | | |

| | | | | | | | | | | | |
|-------|------|----|----|--------------|--------------|-----|-------|------------|---------|-----|---------|
| Model | Year | MG | SG | Illustration | Restrictions | UPD | 20:16 | 24.01.2010 | PORSCHE | PET | PORSCHE |
| 996T | 2005 | 9 | 03 | 903-05 | | 248 | | | | | |

| Pos | Part Number | Description | Remark | Qty | Model | Pos | Part Number | Description | Remark | Qty | Model |
|-----|-----------------------|--|---------|-----|--------|-----|-------------|-------------|--------|-----|-------|
| 31 | 996 613 137 10 A05 | tip switch black mat convertible top control | /RL 04- | 1 | CABRIO | | | | | | |

| | | | | | | | | | | | |
|-------|------|----|----|--------------|--------------|-----|-------|------------|---------|-----|---------|
| Model | Year | MG | SG | Illustration | Restrictions | UPD | 20:16 | 24.01.2010 | PORSCHE | PET | PORSCHE |
| 996T | 2005 | 9 | 03 | 903-10 | | 248 | | | | | |

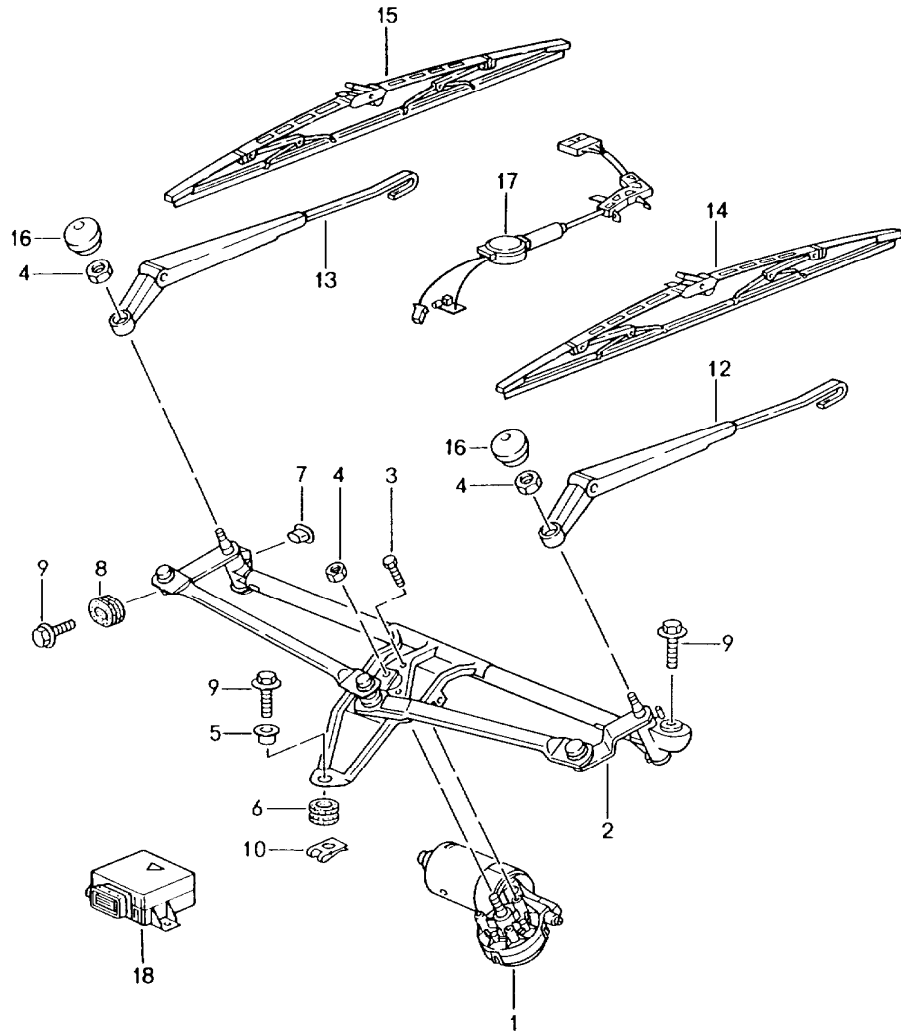


| Pos | Part Number | Description | Remark | Qty | Model |
|-----|----------------|---|--------|-----|----------|
| 1 | 996 613 219 10 | steering column switch | | 1 | M454/659 |
| | EWC | black mat/satin black | | | |
| 1 | 996 613 215 10 | steering column switch | | 1 | M659 |
| | EWC | black mat/satin black | | | |
| | | when required order also: | | | |
| 2 | 996 613 509 00 | cap with symbol | | 01 | 1 |
| | A01 | gloss black direction indicator light high beam | | | |
| 2 | 996 613 509 10 | cap with symbol | | 02- | 1 |
| | A05 | black mat direction indicator light high beam | | | |
| 3 | 996 613 503 01 | cap with symbol | | 01 | 1 M659 |
| | A01 | gloss black | | | |
| 3 | 996 613 503 10 | cap with symbol | | 02- | 1 M659 |
| | A05 | black mat | | | |
| 4 | 996 613 507 00 | cap with symbol | | 01 | 1 M288 |
| | A01 | gloss black | | | |
| 4 | 996 613 507 10 | cap with symbol | | 02- | 1 M288 |
| | A05 | black mat | | | |
| 5 | 996 613 504 00 | cap with symbol | | 01 | 1 M454 |
| | A01 | gloss black german | | | |
| 5 | 996 613 504 10 | cap with symbol | | 02- | 1 M454 |
| | A05 | black mat german | | | |
| (5) | 996 613 505 00 | cap with symbol | | 01 | 1 M454 |
| | A01 | gloss black english | | | |
| (5) | 996 613 505 10 | cap with symbol | | 02- | 1 M454 |

| | | | | | | | | | | | |
|-------|------|----|----|--------------|--------------|-----|-------|------------|---------|-----|---------|
| Model | Year | MG | SG | Illustration | Restrictions | UPD | 20:16 | 24.01.2010 | PORSCHE | PET | PORSCHE |
| 996T | 2005 | 9 | 03 | 903-10 | | 248 | | | | | |

| Pos | Part Number | Description | Remark | Qty | Model | Pos | Part Number | Description | Remark | Qty | Model |
|-----|----------------|---|--------|-----|-------|-----|--|-------------|--------|-----|----------|
| (5) | 996 613 506 00 | A05 black mat english cap with symbol | 01 | 1 | M454 | | G13 metropole blue J33 nephrite green M33 boxster red S33 savanna P13 cinnamon brown | | | | |
| (5) | 996 613 506 10 | A01 gloss black french cap with symbol | 02- | 1 | M454 | | | | | | |
| 6 | 996 552 273 01 | A05 black mat french switch housing lacquered | | 1 | | 9 | 993 552 573 00 cover 01C satin black | | | 1 | M659 |
| | | A03 black C53 graphite grey G13 metropole blue J33 nephrite green M33 boxster red S33 savanna P13 cinnamon brown | | | | (9) | 993 552 573 01 cover 01C satin black | | | 2 | M454/659 |
| 7 | 996 552 275 03 | C53 graphite grey G13 metropole blue J33 nephrite green M33 boxster red S33 savanna P13 cinnamon brown switch housing lacquered | | 1 | | 10 | 900 143 002 07 tapping screw B 2,9 X 9,5 | | | 2 | |
| | | A03 black C53 graphite grey G13 metropole blue J33 nephrite green M33 boxster red S33 savanna P13 cinnamon brown | | | | 11 | 999 591 888 02 speed nut B 2,9 | | | 2 | |
| - | 996 610 206 00 | support for connector housing | | 1 | | 12 | 900 143 072 02 oval-head sheetmetal screw B 3,5 X 19 | | | 4 | |
| 8 | 996 552 277 00 | cover lacquered | | 1 | | | | | | | |
| | | A03 black C53 graphite grey | | | | | | | | | |

| | | | | | | | | | | | |
|-------|------|----|----|--------------|--------------|-----|-------|------------|---------|-----|---------|
| Model | Year | MG | SG | Illustration | Restrictions | UPD | 20:17 | 24.01.2010 | PORSCHE | PET | PORSCHE |
| 996T | 2005 | 9 | 04 | 904-00 | | 248 | | | | | |

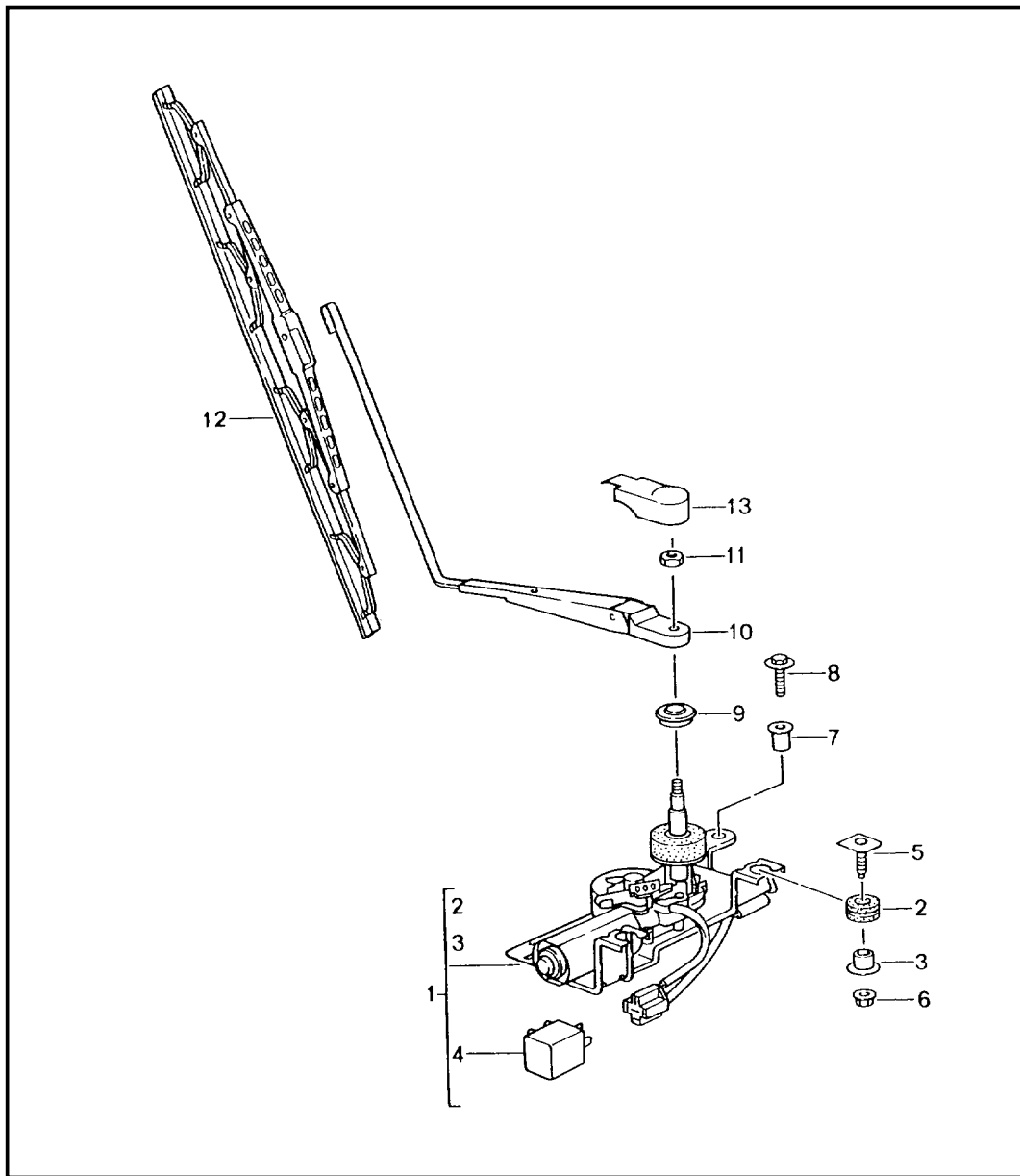


| Pos | Part Number | Description | Remark | Qty | Model |
|------|------------------|--|--------|-----|-------|
| | | windscreen wiper system rain sensor | | | |
| 1 | A 997 624 105 00 | wiper motor | /LL | 1 | |
| 1 | 997 624 105 01 | wiper motor | /LL | 1 | |
| (1) | A 997 624 106 00 | wiper motor | /RL | 1 | |
| (1) | 997 624 106 01 | wiper motor | /RL | 1 | |
| 2 | 997 628 235 00 | crank drive | /LL | 1 | |
| (2) | 997 628 236 00 | crank drive | /RL | 1 | |
| 3 | 900 075 014 02 | hexagon-head bolt M 6 X 18 | -04 | 3 | |
| (3) | 999 073 359 09 | torx screw M 6 X 18 | 05 | 3 | |
| 4 | 900 076 064 01 | hexagon nut M 8 | | 3 | |
| 5 | 999 924 102 02 | bearing sleeve | | 1 | |
| 6 | 999 702 204 50 | rubber bush | | 1 | |
| 7 | 996 628 713 00 | bearing sleeve | | 1 | |
| 8 | 996 628 703 00 | rubber bush | | 1 | |
| 9 | A 999 075 075 09 | combination screw M 6 X 22 SC | | 3 | |
| 9 | 999 075 075 01 | combination screw M 6 X 22 SC | | 3 | |
| 10 | 999 507 246 02 | speed nut M 6 | | 1 | |
| 12 | A 996 628 028 00 | wiper arm driver's side | /LL | 1 | |
| 12 | 997 628 027 00 | wiper arm driver's side | /LL | 1 | |
| (12) | A 996 628 027 01 | wiper arm passenger's side | /RL | 1 | |
| (12) | 997 628 030 00 | wiper arm passenger's side | /RL | 1 | |
| 13 | A 996 628 028 01 | wiper arm passenger's side | /LL | 1 | |

| | | | | | | | | | | | |
|-------|------|----|----|--------------|--------------|-----|-------|------------|---------|-----|---------|
| Model | Year | MG | SG | Illustration | Restrictions | UPD | 20:17 | 24.01.2010 | PORSCHE | PET | PORSCHE |
| 996T | 2005 | 9 | 04 | 904-00 | | 248 | | | | | |

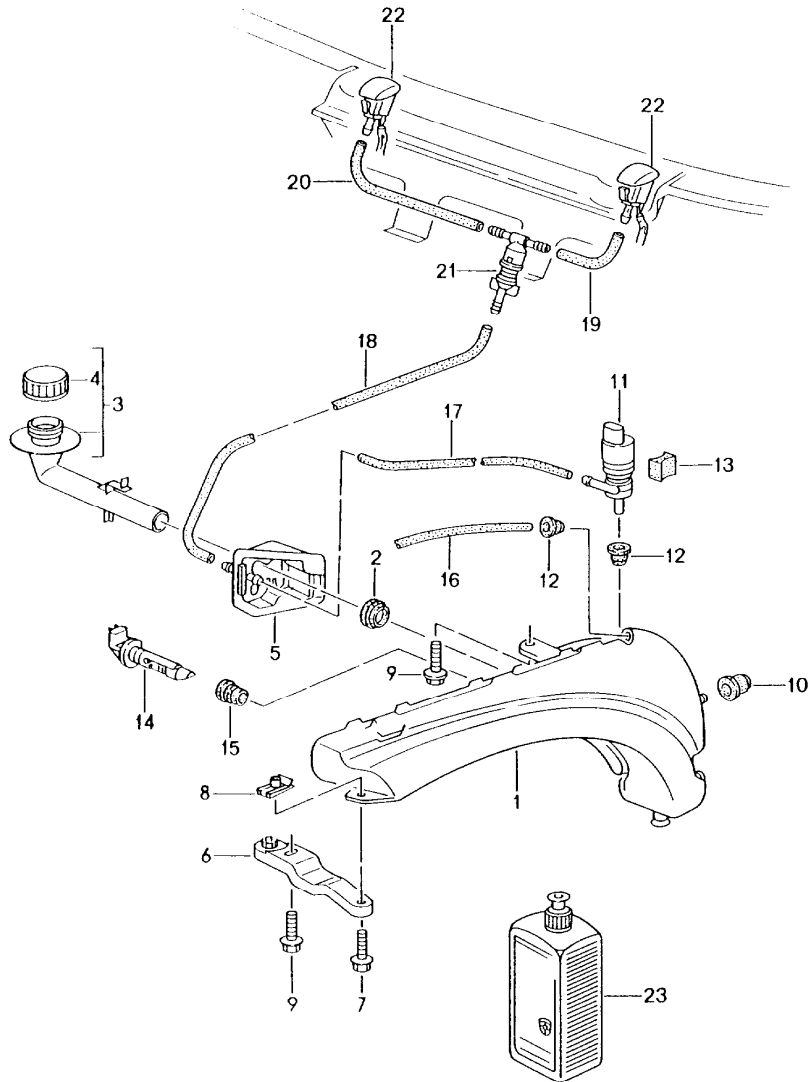
| Pos | Part Number | Description | Remark | Qty | Model | Pos | Part Number | Description | Remark | Qty | Model |
|--------|----------------|--|--------|-----|----------------|-----|-------------|-------------|--------|-----|-------|
| 13 | 997 628 029 00 | wiper arm passenger's side | /LL | 1 | | | | | | | |
| (13) A | 996 628 027 00 | wiper arm | /RL | 1 | | | | | | | |
| (13) | 997 628 028 00 | wiper arm driver's side | /RL | 1 | | | | | | | |
| (14) | 996 628 901 08 | wiper blade set driver's side passenger's side see technical information GR. 9 , NR. 1/03 | /LL | 1 | | | | | | | |
| (15) | 996 628 901 08 | wiper blade set driver's side passenger's side see technical information GR. 9 , NR. 1/03 | /RL | 1 | | | | | | | |
| 16 | 944 628 305 01 | cap | | 2 | | | | | | | |
| 17 | 996 612 506 00 | rain sensor with wiring harness | | 1 | COUPE M265 | | | | | | |
| (17) | 996 612 516 00 | rain sensor with wiring harness | 04- | 1 | CABRIO M265 | | | | | | |
| - | 000 043 204 65 | adhesive film for rain sensor see technical manual GR. 9 / 92 12 19 | | 1 | M265 | | | | | | |
| 18 | 996 615 113 00 | control unit rain sensor | | 1 | M265 | | | | | | |

| | | | | | | | | | | | |
|-------|------|----|----|--------------|--------------|-----|-------|------------|---------|-----|---------|
| Model | Year | MG | SG | Illustration | Restrictions | UPD | 20:17 | 24.01.2010 | PORSCHE | PET | PORSCHE |
| 996T | 2005 | 9 | 04 | 904-05 | | 248 | | | | | |



| Pos | Part Number | Description | Remark | Qty | Model |
|-----|----------------|----------------------------------|--------|-----|-------|
| | | rear window wiper | | | |
| 1 | 996 628 080 00 | wiper motor | | 1 | |
| 2 | 999 702 204 50 | rubber bush | | 2 | |
| 3 | 999 924 102 02 | bearing sleeve | | 2 | |
| 4 | 928 618 104 00 | relay | | 1 | |
| 5 | 999 081 004 02 | screw | | 2 | |
| 6 | 999 084 212 02 | hexagon nut M 6 | | 2 | |
| 7 | 999 500 078 00 | sheetmetal press nut | | 1 | |
| 8 | 999 075 056 09 | combination screw M 6 X 22 Z2 | | 1 | |
| 9 | 996 628 273 01 | grommet | | 1 | |
| 10 | 996 628 040 00 | wiper arm | | 1 | |
| 11 | 900 076 064 01 | hexagon nut M 8 | | 1 | |
| 12 | 996 628 901 07 | wiper blade | | 1 | |
| 13 | 996 628 122 00 | cap | | 1 | |

| | | | | | | | | | | | |
|-------|------|----|----|--------------|--------------|-----|-------|------------|---------|-----|---------|
| Model | Year | MG | SG | Illustration | Restrictions | UPD | 20:17 | 24.01.2010 | PORSCHE | PET | PORSCHE |
| 996T | 2005 | 9 | 04 | 904-10 | | 248 | | | | | |

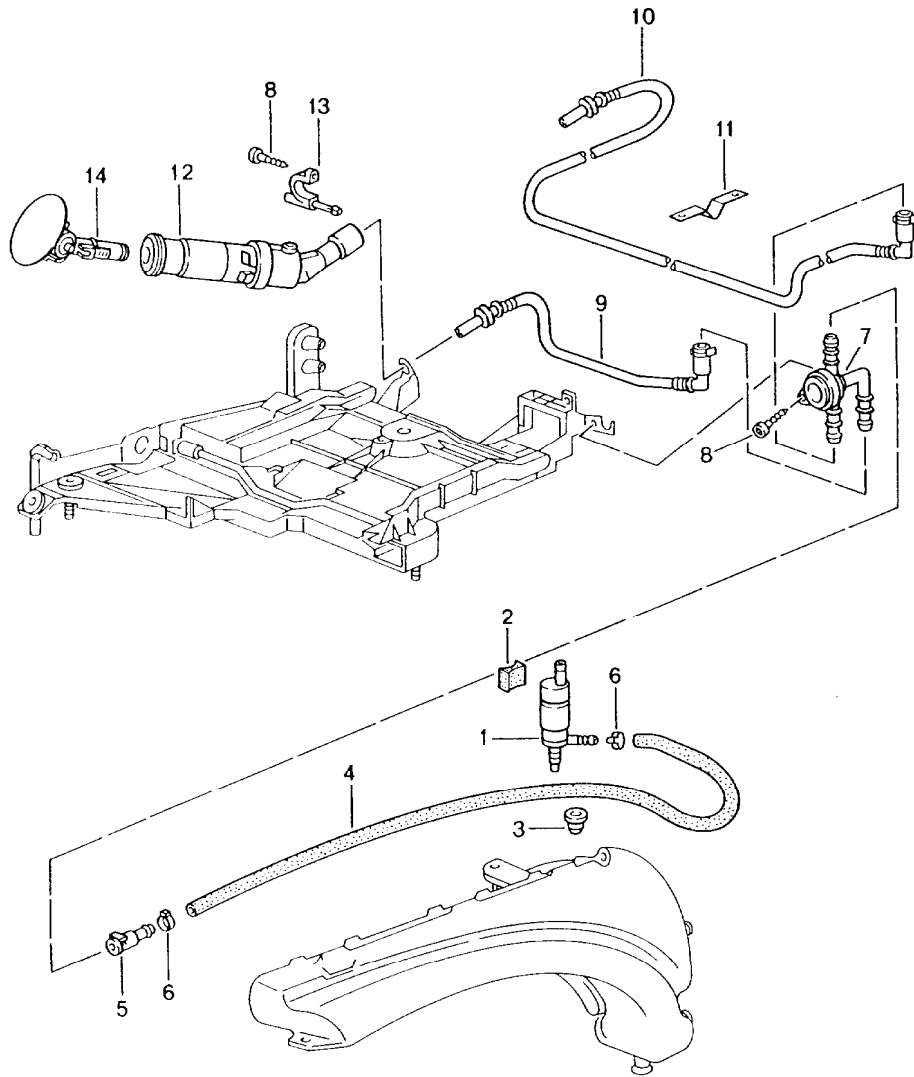


| Pos | Part Number | Description | Remark | Qty | Model |
|-----|----------------|--|--------|-----|-------|
| | | windscreen washer system | | | |
| 1 | 996 528 701 00 | water reservoir | | 1 | M288 |
| 2 | 996 528 711 00 | gasket | | 1 | |
| 3 | 996 528 605 00 | filler neck | | 1 | |
| 4 | 996 528 607 00 | lid | | 1 | |
| 5 | 996 528 615 01 | bracket | | 1 | |
| - | 999 137 091 40 | joining socket repair material for bracket 996.528.615.00/01 | | X | |
| 6 | 996 528 611 02 | support | | 1 | M288 |
| 7 | 900 378 030 09 | hexagon-head bolt M 6 X 20 | | 1 | M288 |
| 8 | 999 591 882 02 | speed nut M 6 | | 1 | M288 |
| 9 | 900 378 154 01 | hexagon-head bolt AM 8 X 35 SB | | 2 | M288 |
| 10 | 999 702 221 40 | grommet | | 2 | |
| 11 | 996 628 172 00 | pump | | 1 | |
| 12 | 431 955 465 B | gasket | | 2 | |
| 13 | 993 628 213 00 | spacer | | 1 | M288 |
| 14 | 996 628 105 00 | tank gauge switch | | 1 | |
| 15 | 996 528 721 00 | gasket | | 1 | |
| 16 | 999 181 347 40 | breather pipe 640 MM | | * | M288 |
| - | 999 181 815 40 | hose 5,0 X 2,5 | | * | |
| 17 | - | 400 MM | | 1 | |
| 18 | - | 560 MM | | 1 | |
| 19 | - | 80 MM | | 1 | |
| 20 | - | 380 MM | | 1 | |
| 21 | 996 628 102 00 | t-piece | | 1 | |

| | | | | | | | | | | | |
|-------|------|----|----|--------------|--------------|-----|-------|------------|---------|-----|---------|
| Model | Year | MG | SG | Illustration | Restrictions | UPD | 20:17 | 24.01.2010 | PORSCHE | PET | PORSCHE |
| 996T | 2005 | 9 | 04 | 904-10 | | 248 | | | | | |

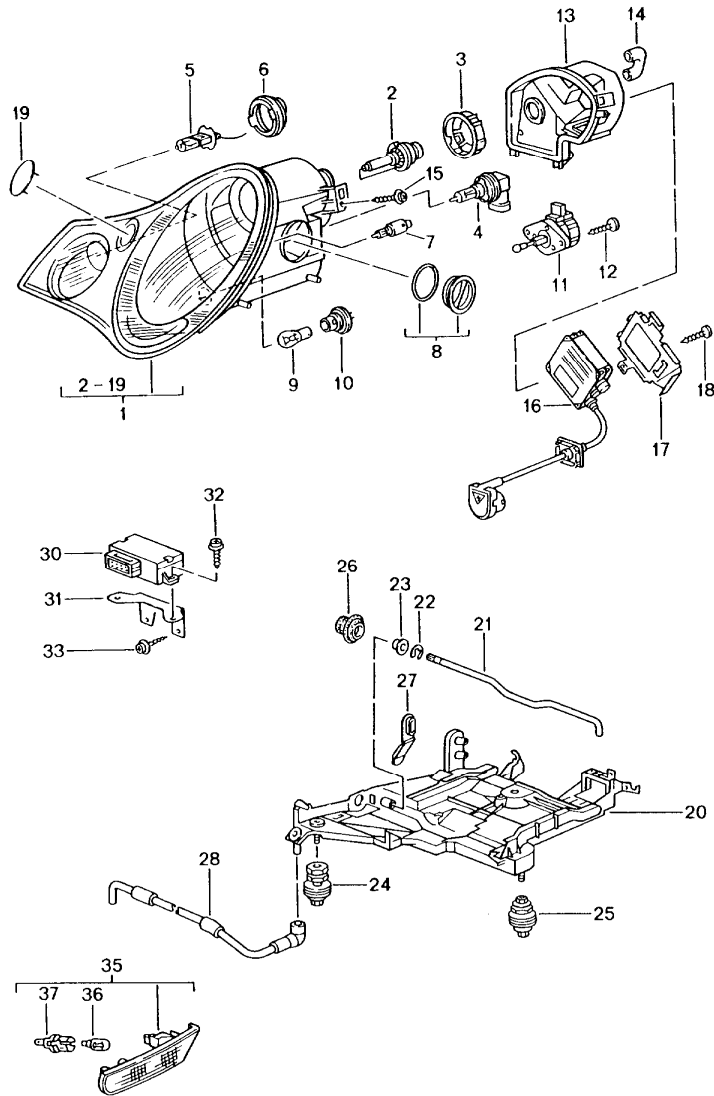
| Pos | Part Number | Description | Remark | Qty | Model | Pos | Part Number | Description | Remark | Qty | Model |
|------|----------------|-------------------------------------|--------|-----|-------|-----|-------------|-------------|--------|-----|-------|
| (22) | 996 628 077 03 | nozzle not adjustable | | 2 | | | | | | | |
| | | when required order also: | | | | | | | | | |
| - | 997 612 976 00 | repair kit wiring harness | | 2 | | | | | | | |
| 23 | 999 901 017 41 | window cleaner 250 ML summer | | X | | | | | | | |
| 23 | 999 901 033 40 | window cleaner 1000 ML winter | | X | | | | | | | |

| | | | | | | | | | | | |
|-------|------|----|----|--------------|--------------|-----|-------|------------|---------|-----|---------|
| Model | Year | MG | SG | Illustration | Restrictions | UPD | 20:17 | 24.01.2010 | PORSCHE | PET | PORSCHE |
| 996T | 2005 | 9 | 04 | 904-20 | | 248 | | | | | |



| Pos | Part Number | Description | Remark | Qty | Model |
|------|----------------|--------------------------|--------|-----|-------|
| | | headlight washer system | | | M288 |
| 1 | 996 624 502 00 | pump | | 1 | |
| 2 | 993 628 213 00 | spacer | | 1 | |
| 3 | 928 628 193 00 | gasket without strainer | | 1 | |
| (3) | 996 628 393 00 | gasket with strainer | | 1 | |
| - | 999 181 750 40 | hose 10 X 3 | | * | |
| 4 | - | 1020 MM | | 1 | |
| 5 | 996 628 204 00 | quick-connecting lock | | 1 | |
| 6 | 999 512 673 00 | hose clamp | | 2 | |
| 7 | 996 628 160 00 | distributing piece | | 1 | |
| 8 | 999 919 017 02 | oval-head screw 4,0 X 16 | | 3 | |
| 9 | 996 628 135 00 | pipeline | /L | 1 | |
| (10) | 996 628 136 01 | pipeline | /R | 1 | |
| 11 | 996 628 110 00 | support | | 2 | |
| 12 | 996 628 161 00 | jet carrier | /L | 1 | |
| (12) | 996 628 162 00 | jet carrier | /R | 1 | |
| 13 | 996 631 116 00 | guide pin | | 2 | |
| 14 | 996 628 143 00 | trim cover with nozzle | /L | 1 | |
| (14) | 996 628 144 00 | trim cover with nozzle | /R | 1 | |

| | | | | | | | | | | | |
|-------|------|----|----|--------------|--------------|-----|-------|------------|---------|-----|---------|
| Model | Year | MG | SG | Illustration | Restrictions | UPD | 20:17 | 24.01.2010 | PORSCHE | PET | PORSCHE |
| 996T | 2005 | 9 | 05 | 905-00 | | 248 | | | | | |

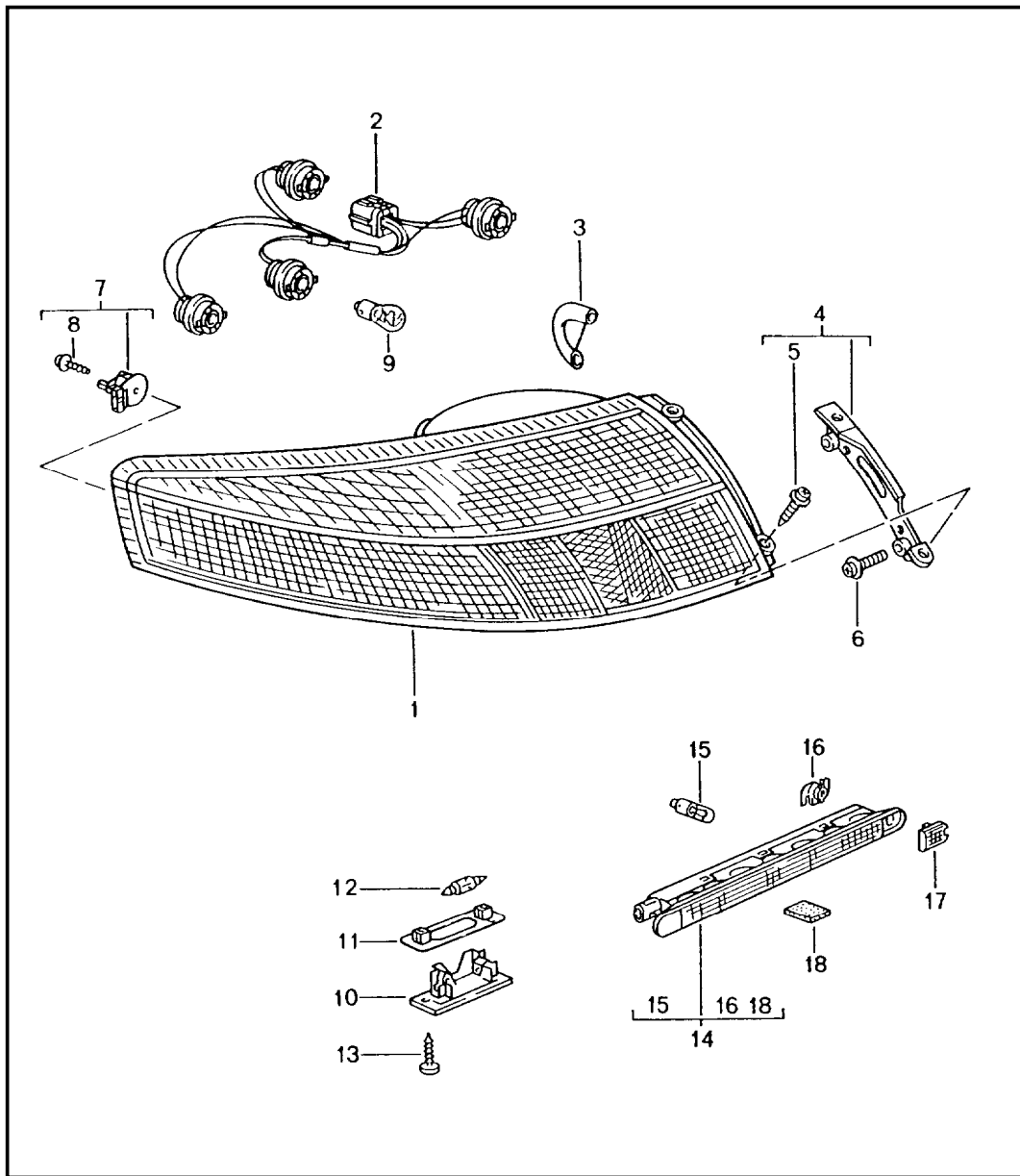


| Pos | Part Number | Description | Remark | Qty | Model |
|------|------------------|---|--------|-----|-------|
| | | headlamp direction indicator light | | | M601 |
| 1 | 996 631 055 10 | headlamp | /L | 1 | |
| 1 | 996 631 056 10 | headlamp | /R | 1 | |
| 1 | 996 631 065 10 | headlamp | /L | 1 | M492 |
| 1 | 996 631 066 10 | headlamp | /R | 1 | M492 |
| 2 | 999 631 036 90 | bulb - PHILIPS - | | 2 | |
| 3 | 996 631 179 00 | retainer | | 2 | |
| 4 | A 999 631 144 90 | halogen bulb H 11 | | 2 | |
| 4 | 999 631 144 91 | halogen bulb H 11 | | 2 | |
| 5 | 900 631 126 90 | halogen bulb H 3 | | 2 | |
| 6 | 996 631 123 00 | protective cap fog headlamp | | 2 | |
| 7 | 999 631 140 90 | bulb H 6 W position light | | 2 | |
| 8 | 996 631 134 00 | protective cap position light | | 2 | |
| 9 | 900 631 131 90 | bulb 21 W yellow direction indicator light | | 2 | |
| 10 | 996 631 118 00 | bulb socket direction indicator light | | 2 | |
| 11 | 996 631 135 00 | electric motor headlight levelling system | | 2 | |
| 12 | 999 919 093 02 | oval-head screw 4,0 X 10 | | 4 | |
| 13 | 996 631 101 10 | protective cap headlamp | /L | 1 | |
| (13) | 996 631 102 10 | protective cap headlamp | /R | 1 | |
| 14 | 996 631 120 00 | breather adapter | | 2 | |

| | | | | | | | | | | | |
|-------|------|----|----|--------------|--------------|-----|-------|------------|---------|-----|---------|
| Model | Year | MG | SG | Illustration | Restrictions | UPD | 20:17 | 24.01.2010 | PORSCHE | PET | PORSCHE |
| 996T | 2005 | 9 | 05 | 905-00 | | 248 | | | | | |

| Pos | Part Number | Description | Remark | Qty | Model | Pos | Part Number | Description | Remark | Qty | Model |
|------|------------------|--|--------|-----|-------|------|----------------|---|----------|-----|-------|
| 15 | 999 919 050 02 | oval-head screw 4,0 X 12 | | 4 | | (31) | 996 618 155 13 | support F 991S6 83456>> F 991S6 95109>> | 01 | 1 | |
| 16 | 996 631 183 00 | control unit | | 2 | | (31) | 996 618 155 10 | support | 02- | 1 | |
| 17 | 996 631 161 00 | support | /L | 1 | | 32 | 900 143 157 07 | combination screw BZ 4,2 X 13 Z2 | | 2 | |
| (17) | 996 631 162 00 | support | /R | 1 | | 33 | 999 073 169 07 | tapping screw ST 4,8 X 16 | 01 | 2 | |
| 18 | 999 919 017 02 | oval-head screw 4,0 X 16 | | 2 | | 33 | 999 073 196 09 | tapping screw ST 4,8 X 9,5 | 02- | 1 | |
| 19 | - | trim cover and nozzle headlight washer system see group 9/04/20 | | | | - | 999 591 855 02 | speed nut 4,8 | 02- | 1 | |
| 20 | 996 631 173 00 | mounting | /L | 1 | | | | sensor headlight levelling system see group 4/01/00 5/01/01 | /V /H | | |
| (20) | 996 631 174 00 | mounting | /R | 1 | | | | direction indicator light | | | |
| 21 | 996 631 273 00 | clamping bow | | 2 | | 35 | 996 631 043 01 | direction indicator light | /L | 1 | |
| 22 | 900 116 004 09 | lock washer | | 2 | | (35) | 996 631 044 01 | direction indicator light | /R | 1 | |
| 23 | 996 631 272 00 | bearing sleeve | | 2 | | 36 | 999 631 138 90 | bulb 5 W yellow | | 2 | |
| 24 | 996 631 079 00 | fastening part | | 4 | | (37) | 996 631 133 01 | bulb socket | | 2 | |
| 25 | 996 631 078 00 | fastening part | | 2 | | | | | | | |
| 26 | 999 703 413 40 | stopper | | 2 | | | | | | | |
| 27 | 993 631 170 03 | stopper | | 6 | | | | | | | |
| - | 996 631 140 00 | sealing washer ventilation pipe | | 2 | | | | | | | |
| (28) | 996 631 149 00 | ventilation component see technical information GR.9 , NR. 7/02 | | 2 | | | | | | | |
| 30 | A 996 618 151 10 | control unit headlight levelling system F >>991S6 82363 | | 1 | | | | | | | |
| 30 | 996 618 151 15 | control unit headlight levelling system | | 1 | | | | | | | |
| 31 | 996 618 155 00 | support F >>991S6 83455 F >>991S6 95108 | 01 | 1 | | | | | | | |

| | | | | | | | | | | | |
|-------|------|----|----|--------------|--------------|-----|-------|------------|---------|-----|---------|
| Model | Year | MG | SG | Illustration | Restrictions | UPD | 20:18 | 24.01.2010 | PORSCHE | PET | PORSCHE |
| 996T | 2005 | 9 | 05 | 905-05 | | 248 | | | | | |

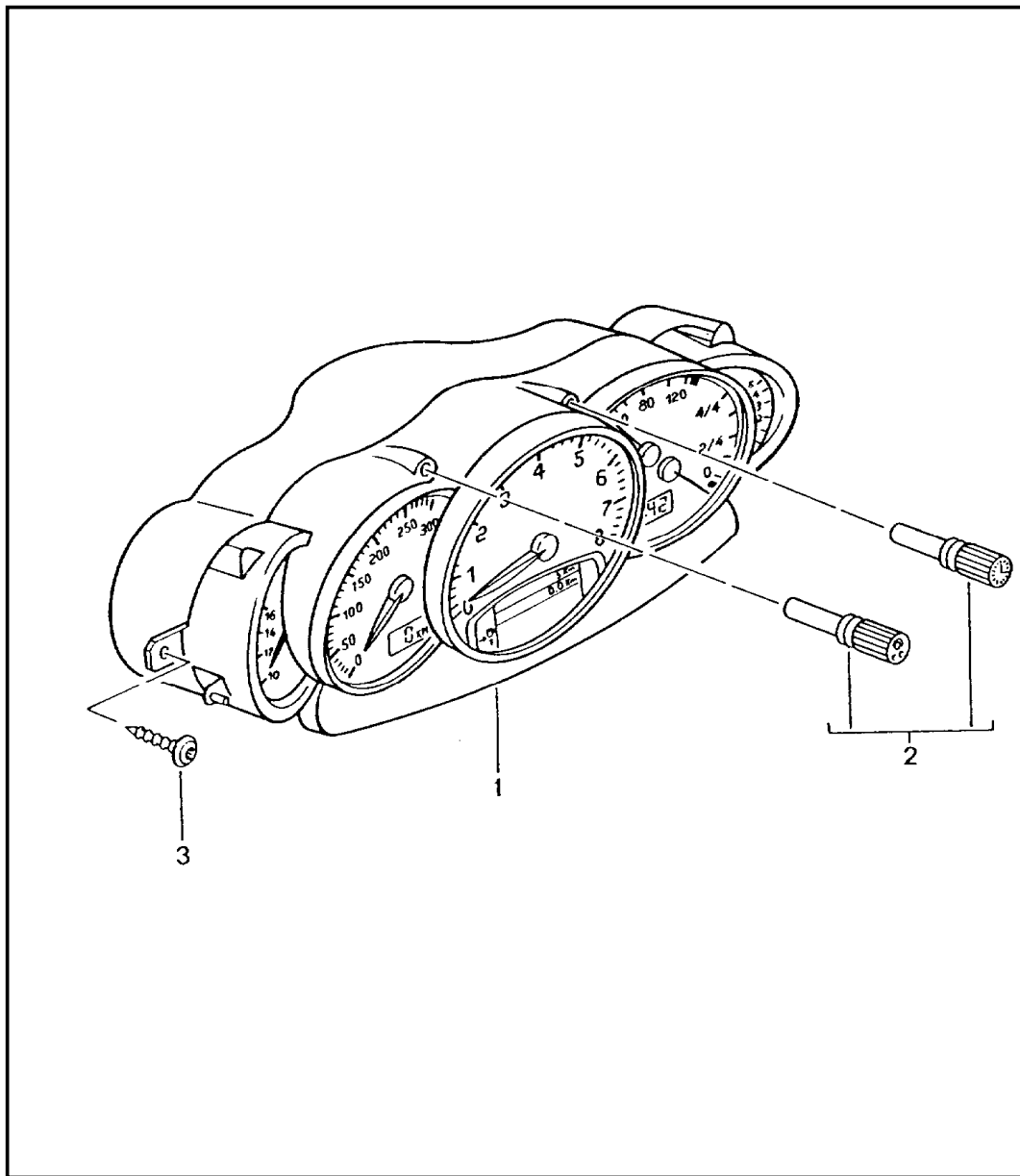


| Pos | Part Number | Description | Remark | Qty | Model |
|-----|----------------|---|--------|-----|--------|
| | | rear light license plate light additional brake light | | | |
| 1 | 996 631 487 00 | tail light housing | /L | 1 | |
| (1) | 996 631 488 00 | tail light housing | /R | 1 | |
| 2 | 996 631 437 00 | wiring harness | | 2 | |
| 3 | 996 631 451 01 | connection piece | | 4 | |
| 4 | 996 631 465 01 | support | /L | 1 | |
| (4) | 996 631 466 01 | support | /R | 1 | |
| 5 | 900 146 117 09 | combination screw M 5 X 16 Z2 | | 01 | 4 |
| 5 | 999 073 250 09 | oval-head screw M 5 X 15 | | 02- | 4 |
| 6 | 999 074 113 02 | combination screw M 5 X 18 | | | 4 |
| 7 | 996 631 471 00 | mounting | | | 2 |
| 8 | 999 919 121 09 | screw | | | 2 |
| 9 | 900 631 127 90 | bulb 21 W white | | | X |
| 9 | 900 631 131 90 | bulb 21 W yellow | | | X |
| (9) | 900 631 128 90 | bulb 21/5 W | | | X |
| (9) | 900 631 104 90 | bulb 5 W | | | X |
| 10 | 964 631 620 00 | license plate light | | | 2 |
| | | 01C black | | | |
| 11 | 993 631 166 00 | desk pad | | | 2 |
| 12 | 900 631 105 90 | bulb 12V 5W | | | 2 |
| 13 | 900 143 085 07 | tapping screw 4,2 X 16 | | | 4 |
| 14 | 996 631 050 01 | additional brake light | | | 1 M602 |

| | | | | | | | | | | | |
|-------|------|----|----|--------------|--------------|-----|-------|------------|---------|-----|---------|
| Model | Year | MG | SG | Illustration | Restrictions | UPD | 20:18 | 24.01.2010 | PORSCHE | PET | PORSCHE |
| 996T | 2005 | 9 | 05 | 905-05 | | 248 | | | | | |

| Pos | Part Number | Description | Remark | Qty | Model | Pos | Part Number | Description | Remark | Qty | Model |
|-----|----------------|----------------|--------|-----|-------|-----|-------------|-------------|--------|-----|-------|
| 15 | 900 631 019 90 | bulb 3 W | | X | M602 | | | | | | |
| 16 | 996 631 168 00 | fastening part | | 1 | M602 | | | | | | |
| 17 | 996 631 165 00 | cap | | 1 | M602 | | | | | | |
| 18 | 996 631 105 00 | desk pad | | 2 | M602 | | | | | | |

| | | | | | | | | | | | |
|-------|------|----|----|--------------|--------------|-----|-------|------------|---------|-----|---------|
| Model | Year | MG | SG | Illustration | Restrictions | UPD | 20:18 | 24.01.2010 | PORSCHE | PET | PORSCHE |
| 996T | 2005 | 9 | 06 | 906-01 | | 248 | | | | | |

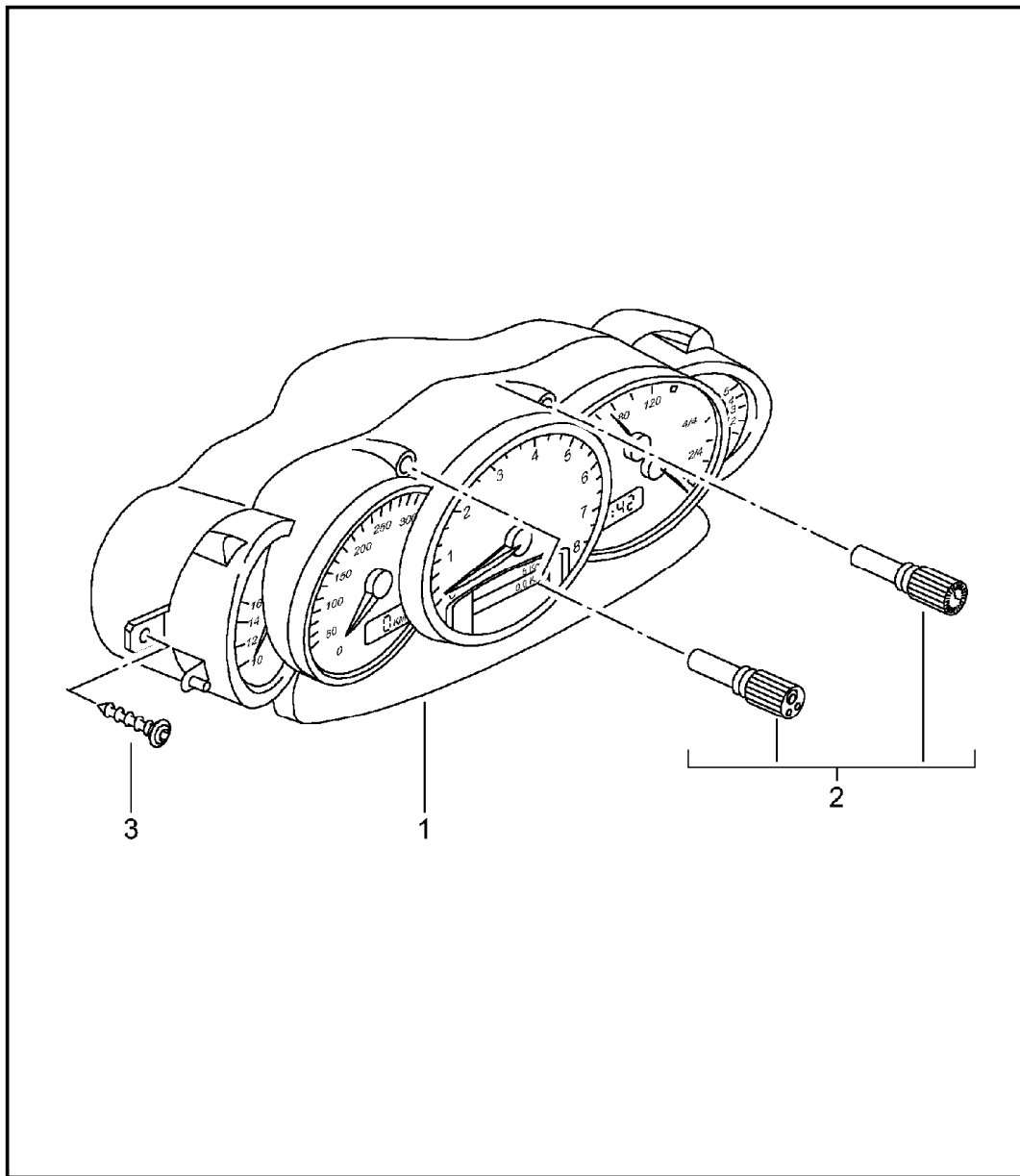


| Pos | Part Number | Description | Remark | Qty | Model |
|-----|----------------|---|--------|-----|----------------|
| | | instruments complete tech. information memo GR.9 , NR.10/01 | | | |
| | | instruments X45/X71 see group 9/06/02 | | | |
| 1 | 996 641 215 04 | instrument cluster complete | | 1 | TURBO M480 |
| | 70C | rally black | | | |
| (1) | 996 641 985 22 | instrument cluster complete | | 05 | 1 TURBO S M480 |
| | 70C | rally black | | | |
| (1) | 996 641 215 05 | instrument cluster complete | | 1 | GT2 M480 |
| | 70C | rally black | | | |
| (1) | 996 641 216 04 | instrument cluster complete | | 1 | TURBO M249 |
| | 70C | rally black | | | |
| (1) | 996 641 985 23 | instrument cluster complete | | 05 | 1 TURBO S M249 |
| | 70C | rally black | | | |
| (1) | 996 641 217 04 | instrument cluster complete | (GB) | 1 | TURBO M480 |
| | 70C | rally black | | | |
| (1) | 996 641 985 24 | instrument cluster complete | (GB) | 05 | 1 TURBO S M480 |
| | 70C | rally black | | | |
| (1) | 996 641 217 05 | instrument cluster complete | (GB) | 1 | GT2 |
| | 70C | rally black | | | |

| | | | | | | | | | | | |
|-------|------|----|----|--------------|--------------|-----|-------|------------|---------|-----|---------|
| Model | Year | MG | SG | Illustration | Restrictions | UPD | 20:18 | 24.01.2010 | PORSCHE | PET | PORSCHE |
| 996T | 2005 | 9 | 06 | 906-01 | | 248 | | | | | |

| Pos | Part Number | Description | Remark | Qty | Model | Pos | Part Number | Description | Remark | Qty | Model |
|-----|----------------|---|--------|-----|-----------------|-----|-------------|-------------|--------|-----|-------|
| (1) | 996 641 218 04 | instrument cluster complete 70C rally black | (GB) | 1 | TURBO M249 | | | | | | |
| (1) | 996 641 985 25 | instrument cluster complete 70C rally black | (GB) | 05 | TURBO S M249 | | | | | | |
| (2) | 996 641 911 00 | knob actuator trip meter and clock | | 1 | | | | | | | |
| (3) | 999 919 188 09 | oval-head screw 5,0 X 30 | | 2 | | | | | | | |

| | | | | | | | | | | | |
|-------|------|----|----|--------------|--------------|-----|-------|------------|---------|-----|---------|
| Model | Year | MG | SG | Illustration | Restrictions | UPD | 20:18 | 24.01.2010 | PORSCHE | PET | PORSCHE |
| 996T | 2005 | 9 | 06 | 906-02 | | 248 | | | | | |

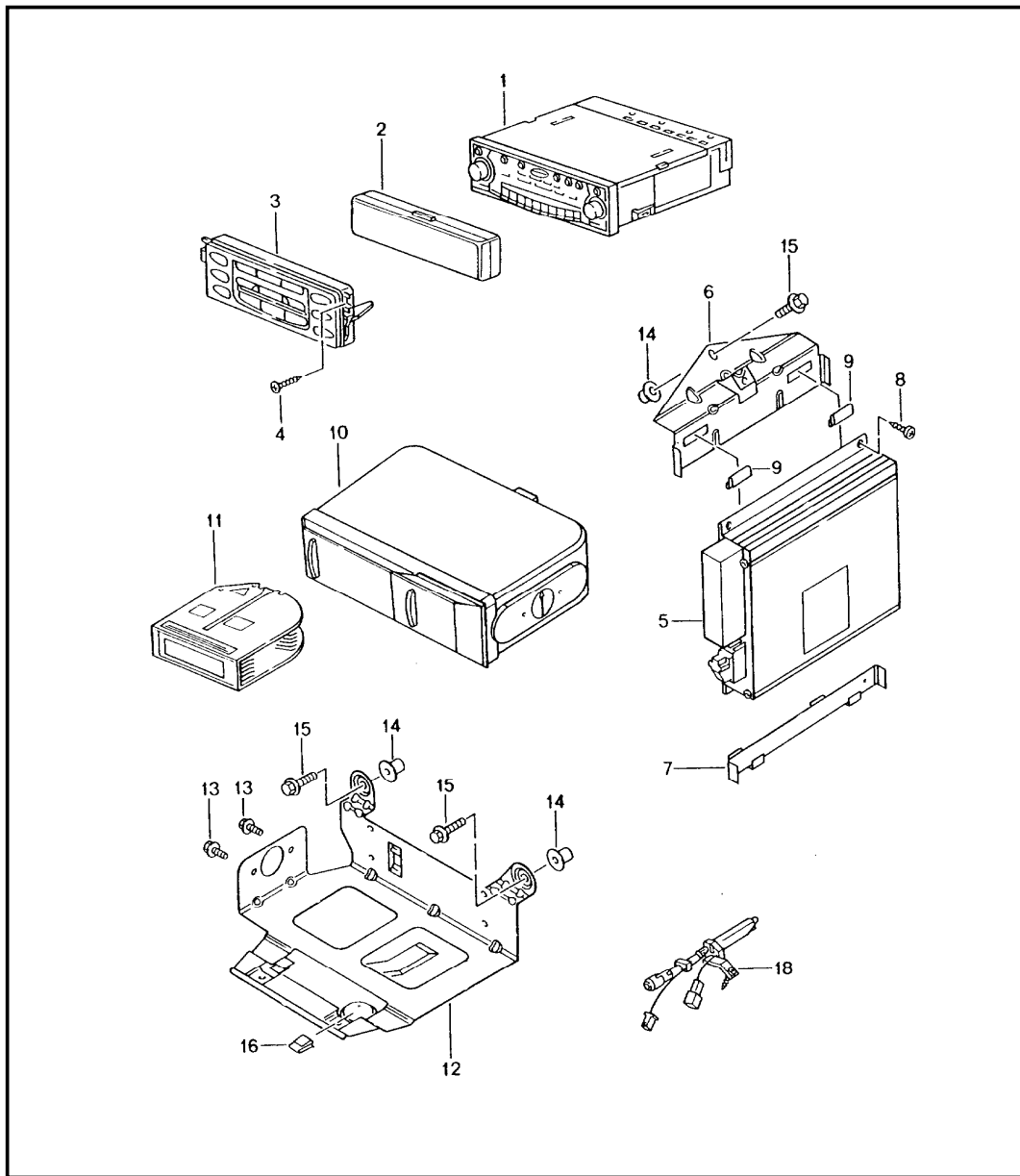


| Pos | Part Number | Description | Remark | Qty | Model |
|-----|----------------|---|--------|-----|----------|
| | | instruments complete tech. information memo GR.9 , NR.10/01 | 01- | | IX45/X71 |
| | | instrument cluster dial lacquered interior colour | | | IX45 |
| 1 | 996 641 985 08 | instrument cluster complete | | 1 | M480 |
| | J33 | nephrite green | | | |
| | C53 | graphite grey | | | |
| | S33 | savanna | | | |
| | G13 | metropole blue | | | |
| | M33 | boxster red | | | |
| | P13 | cinnamon brown | | | |
| | D12 | dark grey/natural | | | |
| | T12 | brown/natural | | | |
| 1 | 996 641 985 10 | instrument cluster complete | (GB) | 1 | M480 |
| | J33 | nephrite green | | | |
| | C53 | graphite grey | | | |
| | S33 | savanna | | | |
| | G13 | metropole blue | | | |
| | M33 | boxster red | | | |
| | P13 | cinnamon brown | | | |
| | D12 | dark grey/natural | | | |
| | T12 | brown/natural | | | |
| 1 | 996 641 985 09 | instrument cluster complete | | 1 | M249 |
| | J33 | nephrite green | | | |
| | C53 | graphite grey | | | |
| | S33 | savanna | | | |

| | | | | | | | | | | | |
|-------|------|----|----|--------------|--------------|-----|-------|------------|---------|-----|---------|
| Model | Year | MG | SG | Illustration | Restrictions | UPD | 20:18 | 24.01.2010 | PORSCHE | PET | PORSCHE |
| 996T | 2005 | 9 | 06 | 906-02 | | 248 | | | | | |

| Pos | Part Number | Description | Remark | Qty | Model | Pos | Part Number | Description | Remark | Qty | Model | |
|-----|----------------|---|--------|-----|-----------------|-----|----------------|--|--------|-----|-------|-----------------|
| | G13 | metropole blue | | | | 1 | 996 641 985 24 | instrument cluster | (GB) | 05 | 1 | TURBO S M480 |
| | M33 | boxster red | | | | | | complete | | | | |
| | P13 | cinnamon brown | | | | | 70C | rally black | | | | |
| | D12 | dark grey/natural | | | | 1 | 996 641 984 57 | instrument cluster | (GB) | | 1 | GT2 |
| | T12 | brown/natural | | | | | 70C | rally black | | | | |
| 1 | 996 641 985 11 | instrument cluster complete | (GB) | 1 | M249 | 1 | 996 641 985 03 | instrument cluster complete | | | 1 | M249 |
| | J33 | nephrite green | | | | | 70C | rally black | | | | |
| | C53 | graphite grey | | | | 1 | 996 641 985 23 | instrument cluster | | 05 | 1 | TURBO S M249 |
| | S33 | savanna | | | | | | complete | | | | |
| | G13 | metropole blue | | | | | 70C | rally black | | | | |
| | M33 | boxster red | | | | 1 | 996 641 985 05 | instrument cluster complete | (GB) | | 1 | M249 |
| | P13 | cinnamon brown | | | | | 70C | rally black | | | | |
| | D12 | dark grey/natural | | | | 1 | 996 641 985 25 | instrument cluster | (GB) | 05 | 1 | TURBO S M249 |
| | T12 | brown/natural | | | | | | complete | | | | |
| | | instrument cluster dial aluminium | | | IX71 | | 70C | rally black | | | | |
| 1 | 996 641 985 02 | instrument cluster complete | | 1 | TURBO M480 | 2 | 996 641 911 00 | knob actuator trip meter and clock | | | 1 | |
| | 70C | rally black | | | | | | | | | | |
| 1 | 996 641 985 22 | instrument cluster complete | | 05 | TURBO S M480 | 3 | 999 919 188 09 | oval-head screw 5,0 X 30 | | | 1 | |
| | 70C | rally black | | | | | | | | | | |
| 1 | 996 641 984 55 | instrument cluster complete | | 1 | GT2 | | | | | | | |
| | 70C | rally black | | | | | | | | | | |
| 1 | 996 641 985 04 | instrument cluster complete | (GB) | 1 | TURBO M480 | | | | | | | |
| | 70C | rally black | | | | | | | | | | |

| | | | | | | | | | | | |
|-------|------|----|----|--------------|--------------|-----|-------|------------|---------|-----|---------|
| Model | Year | MG | SG | Illustration | Restrictions | UPD | 20:18 | 24.01.2010 | PORSCHE | PET | PORSCHE |
| 996T | 2005 | 9 | 11 | 911-00 | | 248 | | | | | |

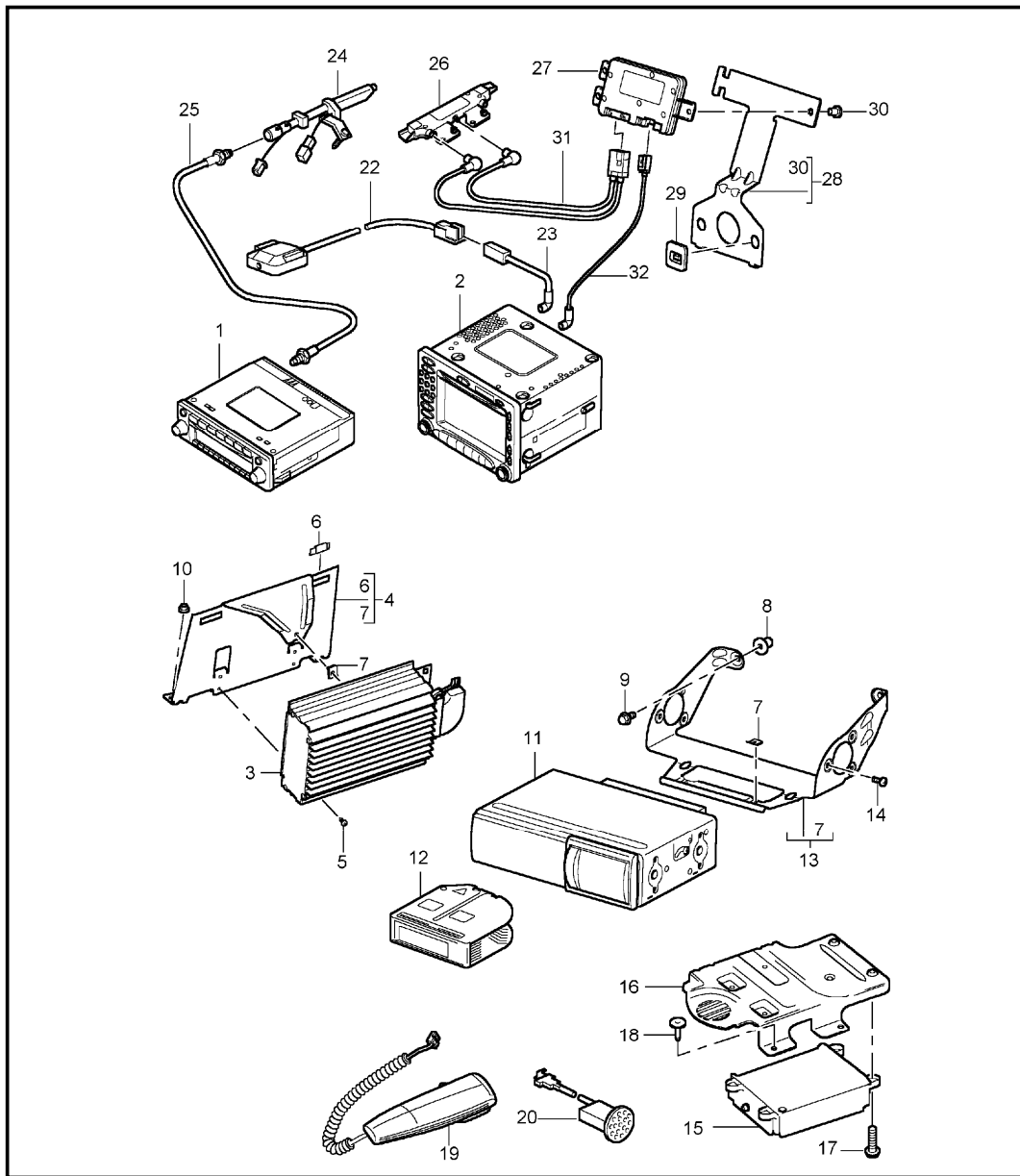


| Pos | Part Number | Description | Remark | Qty | Model |
|-----|----------------|--|------------|-----|----------|
| 1 | - | radio booster | -02 -02 | | |
| (2) | 996 645 190 00 | case for control part radio | | 1 | |
| - | 996 645 106 00 | alarm contact plate for radio | 01 | 1 | |
| - | 996 645 107 00 | alarm contact plate for radio | 02 | 1 | |
| 3 | 996 645 201 02 | control part EFR gloss black | 01 | 1 | M680 |
| 4 | 999 919 182 09 | oval-head screw 4,0 X 20 | 01 | 2 | M680 |
| 5 | 996 645 321 00 | booster | 01 | 1 | M490 |
| (5) | 996 645 322 01 | booster digital sound processing | 01 | 1 | M680 |
| (5) | 996 645 338 00 | booster bose | 02 | 1 | M680 |
| (5) | 996 645 341 00 | additional amplifier bose | 02 | 1 | M680 |
| 6 | 996 645 235 01 | support upper part | /LL | 01 | M490/680 |
| (6) | 996 645 235 02 | support upper part | /LL | 02 | M680 |
| (6) | 996 645 265 00 | support | | 02 | M680 |
| (6) | 996 645 239 01 | support additional amplifier | | 1 | M680 |
| 7 | 996 645 335 00 | support lower part | /LL | 1 | M490/680 |
| (7) | 996 645 236 00 | support | /RL | 1 | M490/680 |

| | | | | | | | | | | | |
|-------|------|----|----|--------------|--------------|-----|-------|------------|---------|-----|---------|
| Model | Year | MG | SG | Illustration | Restrictions | UPD | 20:18 | 24.01.2010 | PORSCHE | PET | PORSCHE |
| 996T | 2005 | 9 | 11 | 911-00 | | 248 | | | | | |

| Pos | Part Number | Description | Remark | Qty | Model | Pos | Part Number | Description | Remark | Qty | Model |
|------|----------------|--|--------|-----|----------|------|-------------|-------------|--------|-----|-------|
| 8 | 900 143 031 02 | oval-head sheetmetal screw 4,2 X 9,5 | | 2 | M490/680 | | | | | | |
| 9 | 999 507 510 02 | u-clamp | | 2 | M490/680 | | | | | | |
| (9) | 999 591 954 09 | u-clamp | /RL | 2 | M490/680 | | | | | | |
| (9) | 999 507 532 02 | u-clamp | /RL | 2 | M490/680 | | | | | | |
| - | 999 591 725 02 | speed nut ST 3,5 | /LL | 1 | M490/680 | | | | | | |
| - U | 999 507 771 40 | stopper 5,5 X 4,8 | | 02 | 1 | M680 | | | | | |
| - | 999 073 048 02 | tapping screw 3,5 X 13 | | 02 | 1 | M680 | | | | | |
| 10 > | 993 645 130 00 | cd changer CDC - 3 | | 1 | M692 | | | | | | |
| 11 | 993 645 113 00 | magazine for cd changer | | 1 | M692 | | | | | | |
| 12 | 996 645 231 00 | support | /LL | 1 | M692 | | | | | | |
| (12) | 996 645 232 01 | support | /RL | 1 | M692 | | | | | | |
| - | 996 610 207 00 | cable cover cd changer | /LL | 1 | M692 | | | | | | |
| 13 | 999 075 067 09 | combination screw M 4 X 8 | | 6 | M692 | | | | | | |
| 14 | 999 500 078 00 | sheetmetal press nut M 6 | | 3 | | | | | | | |
| 15 | 900 378 188 09 | hexagon-head bolt M 6 X 20 | | 3 | | | | | | | |
| 16 | 999 507 532 02 | u-clamp | | 2 | | | | | | | |
| 18 | 996 647 105 00 | antenna booster | | 1 | | | | | | | |
| - | 996 612 072 00 | connecting cable antenna booster radio | | 1 | | | | | | | |

| | | | | | | | | | | | |
|-------|------|----|----|--------------|--------------|-----|-------|------------|---------|-----|---------|
| Model | Year | MG | SG | Illustration | Restrictions | UPD | 20:18 | 24.01.2010 | PORSCHE | PET | PORSCHE |
| 996T | 2005 | 9 | 11 | 911-01 | | 248 | | | | | |



| Pos | Part Number | Description | Remark | Qty | Model |
|-----|------------------|---|-------------------|-----|-------------|
| 1 | - | radio navigation system telephone | 03- 03- 03- | | |
| 2 | A 996 642 204 05 | control part | 04 | 1 | GT2 M665 |
| | A05 | black mat | | | |
| 2 | A 996 642 204 06 | control part | 04 | 1 | GT2 M665 |
| | A05 | black mat | | | |
| 2 | > 996 642 204 07 | control part | 04- | 1 | GT2 M665 |
| | A05 | black mat | | | |
| 2 | A 996 642 214 02 | control part | 03 | 1 | M665/680 |
| | A05 | black mat see technical information GR.9 , NR. 2/03 GR.9 , NR. 3/03 | | | |
| 2 | A 996 642 214 03 | control part | 03 | 1 | M665/680 |
| | A05 | black mat see technical information GR.9 , NR. 2/03 GR.9 , NR. 3/03 GR.9 , NR.10/03 | | | |
| 2 | A 996 642 214 04 | control part | 03 | 1 | M665/680 |
| | A05 | black mat see technical information GR.9 , NR. 2/03 GR.9 , NR. 3/03 GR.9 , NR.10/03 | | | |
| 2 | A 996 642 214 05 | control part | 03- | 1 | M665/680 |
| | A05 | black mat see technical information GR,9 , NR. 10/03 | | | |
| 2 | A 996 642 214 06 | control part | -04 | 1 | M665/680 |
| | A05 | black mat see technical information GR,9 , NR. 10/03 | | | |

| | | | | | | | | | | | |
|-------|------|----|----|--------------|--------------|-----|-------|------------|---------|-----|---------|
| Model | Year | MG | SG | Illustration | Restrictions | UPD | 20:18 | 24.01.2010 | PORSCHE | PET | PORSCHE |
| 996T | 2005 | 9 | 11 | 911-01 | | 248 | | | | | |

| Pos | Part Number | Description | Remark | Qty | Model | Pos | Part Number | Description | Remark | Qty | Model |
|-----|------------------|--|----------|-----|--------------------|-----|----------------|---|--------|-----|--------------------------|
| 2 | > 996 642 214 07 | control part | 03- | 1 | M665/680 | - | 996 642 036 02 | cd-rom navigation system see technical information GR.9 , NR. 10/03 | (AUS) | 05 | 1 M670 |
| | A05 | black mat see technical information GR,9 , NR. 10/03 | | | | | | | | | |
| - | 996 642 951 00 | rotary knob for POS. 2 | /L 03- | 1 | | - | 996 642 037 01 | cd-rom navigation system | | 04 | 1 /M 074 M068 M670 |
| - | 996 642 952 00 | rotary knob for POS. 2 | /R 03- | 1 | | - | 996 642 037 02 | cd-rom navigation system see technical information GR.9 , NR. 10/03 | | 05 | 1 /M 074 M068 M670 |
| - | 996 642 941 00 | cover Drawer SIM card for POS. 2 | 03- | 1 | | 3 U | 996 645 333 02 | booster see technical information GR.9 , NR. 2/03 GR.9 , NR. 3/03 | | 03 | 1 M680 |
| - A | 996 642 205 01 | module navigation system | 03 | 1 | M670 | 3 A | 996 645 333 03 | booster see technical information GR.9 , NR. 2/03 GR.9 , NR. 3/03 GR.9 , NR.10/03 | | 03 | 1 M680 |
| - > | 996 642 205 02 | module navigation system | 03- | 1 | M670 | 3 A | 996 645 333 04 | booster see technical information GR.9 , NR. 2/03 GR.9 , NR. 3/03 GR.9 , NR.10/03 | | 03 | 1 M680 |
| - A | 996 642 030 00 | cd-rom navigation system see technical information GR.9 , NR. 10/03 | 03 | 1 | M670 | 3 A | 996 645 333 05 | booster see technical information GR.9 , NR. 14/03 GR.9 , NR. 10/03 | | 03- | 1 M680 |
| - A | 996 642 030 01 | cd-rom navigation system | -04 | 1 | M670 | 3 > | 996 645 333 07 | booster see technical information GR.9 , NR. 14/03 GR.9 , NR. 10/03 | | 03- | 1 M680 |
| - A | 996 642 030 02 | cd-rom navigation system GR.9 , NR. 10/03 | 05 | 1 | M670 | 4 | 996 645 265 00 | support | | | 1 M680 |
| - A | 996 642 034 01 | cd-rom navigation system | (ZA) 04 | 1 | M670 | 5 | 900 143 031 02 | tapping screw 4,2 X 9,5 | | | 2 M680 |
| - | 996 642 034 02 | cd-rom navigation system see technical information GR.9 , NR. 10/03 | (ZA) 05 | 1 | M670 | 6 | 999 507 510 02 | u-clamp | | | 2 M680 |
| - | 996 642 035 01 | cd-rom navigation system see technical information GR.9 , NR. 10/03 | 04 | 1 | (SA), (AG) M670 | 7 | 999 507 532 02 | u-clamp | | | X |
| - A | 996 642 036 01 | cd-rom navigation system | (AUS) 04 | 1 | M670 | 8 | 999 500 078 00 | sheetmetal press nut M 6 | | | X |

| | | | | | | | | | | | |
|-------|------|----|----|--------------|--------------|-----|-------|------------|---------|-----|---------|
| Model | Year | MG | SG | Illustration | Restrictions | UPD | 20:18 | 24.01.2010 | PORSCHE | PET | PORSCHE |
| 996T | 2005 | 9 | 11 | 911-01 | | 248 | | | | | |

| Pos | Part Number | Description | Remark | Qty | Model | Pos | Part Number | Description | Remark | Qty | Model |
|------|------------------|---|--------|-----|-------|------|------------------|---|--------|-----|-------------------------------------|
| 9 | 900 378 188 09 | hexagon-head bolt M 6 X 20 | | X | | 15 | A 996 642 207 04 | control unit telephone see technical information GR.9 , NR. 2/03 GR.9 , NR. 3/03 | 03 | 1 | M666 |
| 10 | 900 380 015 01 | hexagon nut M 6 | | 2 | M680 | | | | | | |
| 11 | > 996 645 140 02 | cd changer CDC 4 adjustment installation attention see technical information GR.9 , NR. 2/03 GR.9 , NR. 3/03 | /RL | 1 | M692 | 15 | A 996 642 207 05 | control unit telephone see technical information GR.9 , NR. 9/04 | | 1 | M666 |
| 11 | A 997 645 140 02 | cd changer CDC 4 adjustment installation attention see technical information GR.9 , NR. 2/03 GR.9 , NR. 3/03 | /LL | 1 | M692 | 15 | A 997 646 207 01 | control unit telephone MOTOROLA | | 1 | M666 |
| 11 | > 997 645 140 03 | cd changer CDC 4 adjustment installation attention see technical information GR.9 , NR. 2/03 GR.9 , NR. 3/03 | /LL | 1 | M692 | 15 | > 997 646 207 02 | control unit telephone MOTOROLA F 994S6 80740>>995S6 80189 F 994S6 71020>>995S6 70167 | | 1 | M666 TURBO/COUPE TURBO/CABRIO |
| 11 | > 997 645 140 03 | cd changer CDC 4 adjustment installation attention see technical information GR.9 , NR. 2/03 GR.9 , NR. 3/03 | /LL | 1 | M692 | 15 | > 997 646 208 04 | control unit telephone HARMAN - BECKER F 995S6 80190>> F 995S6 70168>> when required order also: | | 1 | M666 TURBO/COUPE TURBO/CABRIO |
| 12 | 996 645 113 00 | magazine cd changer | | 1 | M692 | - | 997 612 989 00 | connecting line adapter for control unit 997.646.208.04 | | 1 | M666 |
| 13 | 996 645 229 00 | support | /LL | 1 | M692 | 16 | 996 642 216 00 | support | | 1 | M666 |
| (13) | 996 645 230 00 | support | /RL | 1 | M692 | 17 | 900 378 035 01 | hexagon-head bolt M 6 X 16 | | 2 | M666 |
| 14 | N 014 128 13 | oval-head screw M 5 X 8 | | 6 | M692 | 18 | 999 073 060 02 | tapping screw 4,8 X 13 | | 4 | M666 |
| 15 | A 996 642 207 01 | control unit telephone see technical information GR.9 , NR. 2/03 GR.9 , NR. 3/03 | | 1 | M666 | | | antenna telephone see group 9 /11/10 | | | |
| 15 | A 996 642 207 02 | control unit telephone see technical information GR.9 , NR. 2/03 GR.9 , NR. 3/03 | 03 | 1 | M666 | 19 | A 996 642 212 01 | receiver telephone | | 1 | M668 |
| | | | | | | 19 | 996 642 212 02 | receiver telephone | | 1 | M668 |
| | | | | | | (19) | A 996 642 980 14 | receiver telephone leather | | 1 | IXEA |

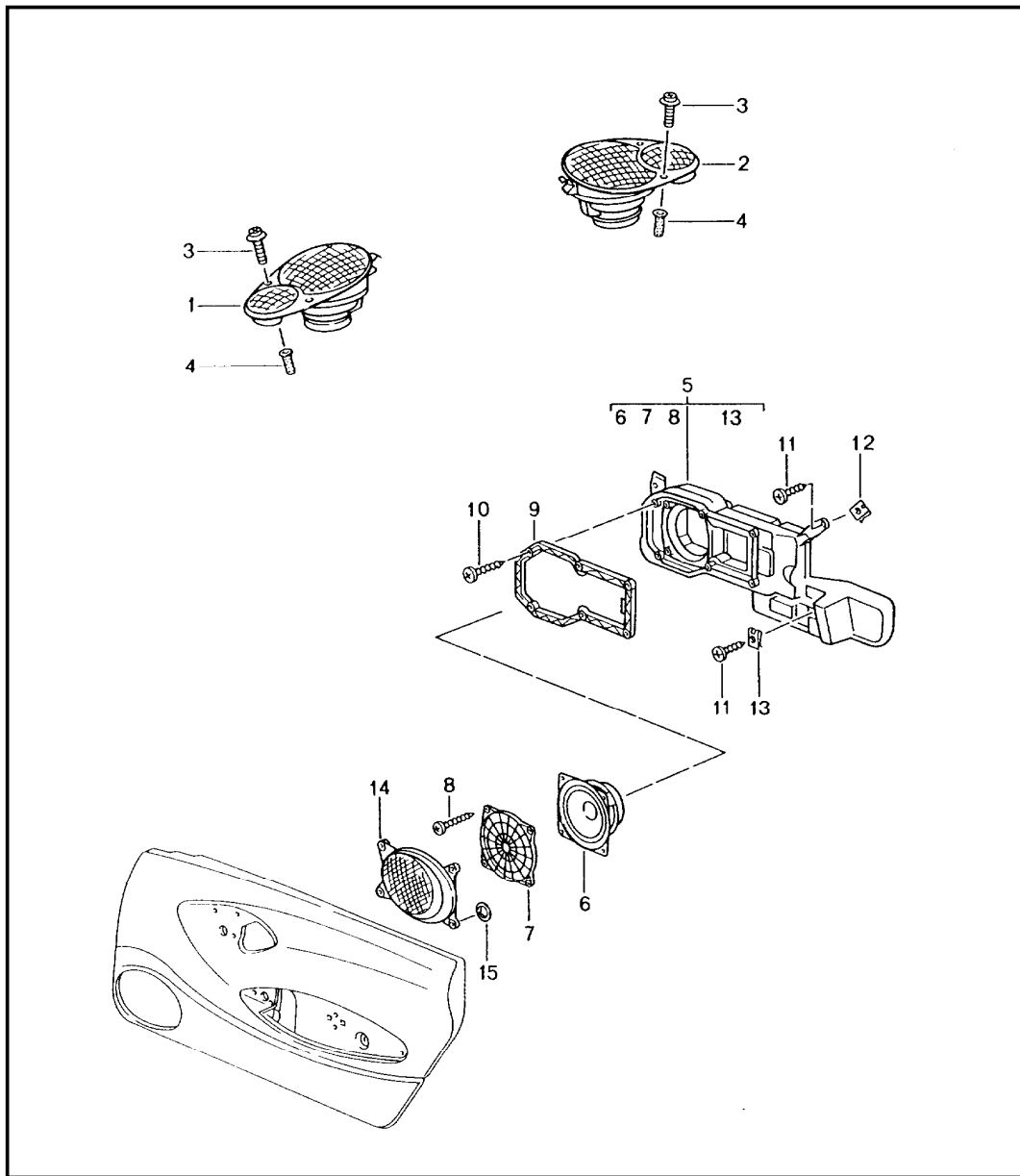
| | | | | | | | | | | | |
|-------|------|----|----|--------------|--------------|-----|-------|------------|---------|-----|---------|
| Model | Year | MG | SG | Illustration | Restrictions | UPD | 20:18 | 24.01.2010 | PORSCHE | PET | PORSCHE |
| 996T | 2005 | 9 | 11 | 911-01 | | 248 | | | | | |

| Pos | Part Number | Description | Remark | Qty | Model | Pos | Part Number | Description | Remark | Qty | Model |
|------|----------------|---|--------|-----|-----------------------|------|----------------|----------------|--------|-----|-----------------------|
| | A11 | black | | | | | J33 | nephrite green | | | |
| | C51 | graphite grey | | | | | M33 | boxster red | | | |
| | S31 | savanna | | | | | P13 | cinnamon brown | | | |
| | G11 | metropole blue | | | | (20) | 996 646 307 03 | microphone | /LL | 1 | M618/666 M680 |
| | J31 | nephrite green | | | | | A03 | black | | | |
| | M31 | boxster red | | | | | C53 | graphite grey | | | |
| | P12 | cinnamon brown | | | | | S33 | savanna | | | |
| | D12 | dark grey/natural | | | | | G13 | metropole blue | | | |
| | T12 | brown/natural | | | | | J33 | nephrite green | | | |
| (19) | 996 642 980 15 | receiver telephone leather | | 1 | IXEA | | M33 | boxster red | | | |
| | A11 | black | | | | | P13 | cinnamon brown | | | |
| | C51 | graphite grey | | | | (20) | 996 646 308 02 | microphone | /RL | 04 | 1 GT2 M618 M666 |
| | S31 | savanna | | | | | A03 | black | | | |
| | G11 | metropole blue | | | | | C53 | graphite grey | | | |
| | J31 | nephrite green | | | | | S33 | savanna | | | |
| | M31 | boxster red | | | | | G13 | metropole blue | | | |
| | P12 | cinnamon brown | | | | | J33 | nephrite green | | | |
| | D12 | dark grey/natural | | | | | M33 | boxster red | | | |
| | T12 | brown/natural | | | | | P13 | cinnamon brown | | | |
| | | bracket telephone see group 9 /11/10 | | | | (20) | 996 646 308 03 | microphone | /RL | 1 | M618/666 M680 |
| 20 | 996 646 307 02 | microphone | /LL | 04 | 1 GT2 M618 M666 | | A03 | black | | | |
| | A03 | black | | | | | C53 | graphite grey | | | |
| | C53 | graphite grey | | | | | S33 | savanna | | | |
| | S33 | savanna | | | | | G13 | metropole blue | | | |
| | G13 | metropole blue | | | | | J33 | nephrite green | | | |
| | | | | | | | M33 | boxster red | | | |
| | | | | | | | P13 | cinnamon brown | | | |

| | | | | | | | | | | | |
|-------|------|----|----|--------------|--------------|-----|-------|------------|---------|-----|---------|
| Model | Year | MG | SG | Illustration | Restrictions | UPD | 20:18 | 24.01.2010 | PORSCHE | PET | PORSCHE |
| 996T | 2005 | 9 | 11 | 911-01 | | 248 | | | | | |

| Pos | Part Number | Description | Remark | Qty | Model | Pos | Part Number | Description | Remark | Qty | Model |
|------|----------------|---|--------|-----|-------|------|----------------|---|--------|-----|-------|
| (20) | 996 646 307 04 | microphone | /LL | 1 | M680 | 30 | 999 507 771 40 | stopper | | 1 | M440 |
| | A03 | black | | | | 31 | 996 612 057 00 | connecting line antenna booster left control unit | /LL | 1 | M665 |
| | C53 | graphite grey | | | | (31) | 996 612 067 00 | connecting line antenna booster left control unit | /RL | 1 | M665 |
| | S33 | savanna | | | | (31) | 996 612 056 00 | connecting line antenna booster right control unit | /LL | 1 | M665 |
| | G13 | metropole blue | | | | (31) | 996 612 066 00 | connecting line antenna booster right control unit | /RL | 1 | M665 |
| | J33 | nephrite green | | | | 32 | 996 612 058 00 | connecting line control unit control part connector CURRY | /LL | 1 | M665 |
| | M33 | boxster red | | | | (32) | 996 612 068 00 | connecting line control unit control part connector CURRY | /RL | 1 | M665 |
| | P13 | cinnamon brown | | | | (32) | 996 612 059 00 | connecting line control unit control part connector natural colours | /LL | 1 | M665 |
| (20) | 996 646 308 04 | microphone | /RL | 1 | M680 | (32) | 996 612 069 00 | connecting line control unit control part connector natural colours | /RL | 1 | M665 |
| | A03 | black | | | | | | | | | |
| | C53 | graphite grey | | | | | | | | | |
| | S33 | savanna | | | | | | | | | |
| | G13 | metropole blue | | | | | | | | | |
| | J33 | nephrite green | | | | | | | | | |
| | M33 | boxster red | | | | | | | | | |
| | P13 | cinnamon brown | | | | | | | | | |
| 22 | 996 642 206 00 | antenna GPS | | 1 | M670 | | | | | | |
| 23 | 996 612 009 00 | connecting line antenna module navigation system | | 1 | M670 | | | | | | |
| 24 | 996 647 105 00 | antenna booster radio | | 1 | M441 | | | | | | |
| 25 | 996 612 072 01 | connecting line antenna booster radio | | 1 | M441 | | | | | | |
| 26 | 996 647 117 00 | antenna booster | /L | 1 | M440 | | | | | | |
| (26) | 996 647 118 00 | antenna booster | /R | 1 | M440 | | | | | | |
| 27 | 996 647 124 00 | control unit | | 1 | M440 | | | | | | |
| 28 | 996 647 202 00 | support | | 1 | M440 | | | | | | |
| 29 | 999 507 772 40 | clip | | 1 | M440 | | | | | | |

| | | | | | | | | | | | |
|-------|------|----|----|--------------|--------------|-----|-------|------------|---------|-----|---------|
| Model | Year | MG | SG | Illustration | Restrictions | UPD | 20:18 | 24.01.2010 | PORSCHE | PET | PORSCHE |
| 996T | 2005 | 9 | 11 | 911-05 | | 248 | | | | | |



| Pos | Part Number | Description | Remark | Qty | Model |
|-----|----------------|--|--------|-----|-------|
| 1 | 996 645 037 01 | loudspeaker loudspeaker M 680/MJ.02- see group 9 / 11 / 06 | /V/L | 1 | M490 |
| | C50 | graphite grey | | | |
| | G10 | metropole blue | | | |
| | J30 | nephrite green | | | |
| | M30 | boxster red | | | |
| | S30 | savanna | | | |
| | P10 | cinnamon brown | | | |
| (1) | 996 645 048 01 | loudspeaker | /H/L | 1 | M490 |
| | C50 | graphite grey | | | |
| | G10 | metropole blue | | | |
| | J30 | nephrite green | | | |
| | M30 | boxster red | | | |
| | S30 | savanna | | | |
| | P10 | cinnamon brown | | | |
| 2 | 996 645 038 01 | loudspeaker | /V/R | 1 | M490 |
| | C50 | graphite grey | | | |
| | G10 | metropole blue | | | |
| | J30 | nephrite green | | | |
| | M30 | boxster red | | | |
| | S30 | savanna | | | |
| | P10 | cinnamon brown | | | |
| (2) | 996 645 047 01 | loudspeaker | /H/R | 1 | M490 |
| | C50 | graphite grey | | | |
| | G10 | metropole blue | | | |
| | J30 | nephrite green | | | |
| | M30 | boxster red | | | |

| | | | | | | | | | | | |
|-------|------|----|----|--------------|--------------|-----|-------|------------|---------|-----|---------|
| Model | Year | MG | SG | Illustration | Restrictions | UPD | 20:18 | 24.01.2010 | PORSCHE | PET | PORSCHE |
| 996T | 2005 | 9 | 11 | 911-05 | | 248 | | | | | |

| Pos | Part Number | Description | Remark | Qty | Model | Pos | Part Number | Description | Remark | Qty | Model |
|-----|----------------|---------------------------|--------|-----|----------------------|-----|----------------|-------------------|--------|-----|-------------|
| | S30 | savanna | | | | | J31 | nephrite green | | | |
| | P10 | cinnamon brown | | | | | M31 | boxster red | | | |
| 1 | 996 645 037 02 | loudspeaker | /V/L | 1 | M490 | | P12 | cinnamon brown | | | |
| | 01C | satin black | | | | | D12 | dark grey/natural | | | |
| (1) | 996 645 035 02 | loudspeaker | /V/L | 1 | GT2 M441 | (1) | T12 | brown/natural | | | |
| | 01C | satin black | | | | | 996 645 981 01 | loudspeaker | /V/L | 1 | GT2 M441 |
| (1) | 996 645 048 02 | loudspeaker | /H/L | 1 | M490 | | VRK | black | | | |
| | 01C | satin black | | | | | S31 | savanna | | | |
| (1) | 996 645 046 02 | loudspeaker | /H/L | 1 | GT2 M441 | | C51 | graphite grey | | | |
| | 01C | satin black | | | | | G11 | metropole blue | | | |
| 2 | 996 645 038 02 | loudspeaker | /V/R | 1 | M490 | | J31 | nephrite green | | | |
| | 01C | satin black | | | | | M31 | boxster red | | | |
| (2) | 996 645 036 02 | loudspeaker | /V/R | 1 | GT2 M441 | | P12 | cinnamon brown | | | |
| | 01C | satin black | | | | | D12 | dark grey/natural | | | |
| (2) | 996 645 047 02 | loudspeaker | /H/R | 1 | M490 | 2 | T12 | brown/natural | | | |
| | 01C | satin black | | | | | 996 645 984 01 | loudspeaker | /V/R | 1 | M490 |
| (2) | 996 645 045 02 | loudspeaker | /H/R | 1 | GT2 M441 | | VRK | black | | | |
| | 01C | satin black | | | | | S31 | savanna | | | |
| (2) | 996 645 049 02 | loudspeaker grille | | X | GT2 | | C51 | graphite grey | | | |
| | 01C | satin black | | | | | G11 | metropole blue | | | |
| | | loudspeaker front leather | | | IXKL/XKM/XKN IXKP | | J31 | nephrite green | | | |
| 1 | 996 645 983 01 | loudspeaker | /V/L | 1 | M490 | | M31 | boxster red | | | |
| | VRK | black | | | | | P12 | cinnamon brown | | | |
| | S31 | savanna | | | | | D12 | dark grey/natural | | | |
| | C51 | graphite grey | | | | | T12 | brown/natural | | | |
| | G11 | metropole blue | | | | (2) | 996 645 982 01 | loudspeaker | /V/R | 1 | GT2 M441 |
| | | | | | | | VRK | black | | | |
| | | | | | | | S31 | savanna | | | |

| | | | | | | | | | | | |
|-------|------|----|----|--------------|--------------|-----|-------|------------|---------|-----|---------|
| Model | Year | MG | SG | Illustration | Restrictions | UPD | 20:18 | 24.01.2010 | PORSCHE | PET | PORSCHE |
| 996T | 2005 | 9 | 11 | 911-05 | | 248 | | | | | |

| Pos | Part Number | Description | Remark | Qty | Model | Pos | Part Number | Description | Remark | Qty | Model |
|-----|----------------|--------------------------|--------|-----|----------|-----|---------------------------------------|-------------|--------|-----|----------|
| | | C51 graphite grey | | | | | T12 brown/natural | | | | |
| | | G11 metropole blue | | | | (2) | 996 645 988 05 | loudspeaker | /H/R | 1 | M490 |
| | | J31 nephrite green | | | | | VRK black | | | | |
| | | M31 boxster red | | | | | S31 savanna | | | | |
| | | P12 cinnamon brown | | | | | C51 graphite grey | | | | |
| | | D12 dark grey/natural | | | | | G11 metropole blue | | | | |
| | | T12 brown/natural | | | | | J31 nephrite green | | | | |
| | | loudspeaker rear leather | | | IXKL | | M31 boxster red | | | | |
| (1) | 996 645 989 05 | loudspeaker | /H/L | 1 | M490 | | P12 cinnamon brown | | | | |
| | | VRK black | | | | | D12 dark grey/natural | | | | |
| | | S31 savanna | | | | (2) | 996 645 986 05 | loudspeaker | /H/R | 1 | GT2 M441 |
| | | C51 graphite grey | | | | | T12 brown/natural | | | | |
| | | G11 metropole blue | | | | | VRK black | | | | |
| | | J31 nephrite green | | | | | S31 savanna | | | | |
| | | M31 boxster red | | | | | C51 graphite grey | | | | |
| | | P12 cinnamon brown | | | | | G11 metropole blue | | | | |
| | | D12 dark grey/natural | | | | | J31 nephrite green | | | | |
| | | T12 brown/natural | | | | | M31 boxster red | | | | |
| (1) | 996 645 987 05 | loudspeaker | /H/L | 1 | GT2 M441 | | P12 cinnamon brown | | | | |
| | | VRK black | | | | | D12 dark grey/natural | | | | |
| | | S31 savanna | | | | | T12 brown/natural | | | | |
| | | C51 graphite grey | | | | | loudspeaker rear light maple rootwood | | | | IXKM |
| | | G11 metropole blue | | | | (1) | 996 645 989 01 | loudspeaker | /H/L | 1 | M490 |
| | | J31 nephrite green | | | | | A03 black | | | | |
| | | M31 boxster red | | | | | C53 graphite grey | | | | |
| | | P12 cinnamon brown | | | | | S33 savanna | | | | |
| | | D12 dark grey/natural | | | | | G13 metropole blue | | | | |

| | | | | | | | | | | | |
|-------|------|----|----|--------------|--------------|-----|-------|------------|---------|-----|---------|
| Model | Year | MG | SG | Illustration | Restrictions | UPD | 20:19 | 24.01.2010 | PORSCHE | PET | PORSCHE |
| 996T | 2005 | 9 | 11 | 911-05 | | 248 | | | | | |

| Pos | Part Number | Description | Remark | Qty | Model | Pos | Part Number | Description | Remark | Qty | Model |
|-----|----------------|--------------------------------------|--------|-----|-------|-----|----------------|-------------------------|--------|-----|-------------|
| | J33 | nephrite green | | | | | C53 | graphite grey | | | |
| | M33 | boxster red | | | | | S33 | savanna | | | |
| | P13 | cinnamon brown | | | | | G13 | metropole blue | | | |
| | D12 | dark grey/natural | | | | | J33 | nephrite green | | | |
| | T12 | brown/natural | | | | | M33 | boxster red | | | |
| (2) | 996 645 988 01 | loudspeaker | /H/R | 1 | M490 | | P13 | cinnamon brown | | | |
| | A03 | black | | | | | D12 | dark grey/natural | | | |
| | C53 | graphite grey | | | | | T12 | brown/natural | | | |
| | S33 | savanna | | | | | | loudspeaker rear carbon | | | IXKP |
| | G13 | metropole blue | | | | (1) | 996 645 989 03 | loudspeaker | /H/L | 1 | M490 |
| | J33 | nephrite green | | | | | A03 | black | | | |
| | M33 | boxster red | | | | | C53 | graphite grey | | | |
| | P13 | cinnamon brown | | | | | S33 | savanna | | | |
| | D12 | dark grey/natural | | | | | G13 | metropole blue | | | |
| | T12 | brown/natural | | | | | J33 | nephrite green | | | |
| | | loudspeaker rear dark maple rootwood | | | IXKN | | M33 | boxster red | | | |
| (2) | 996 645 989 02 | loudspeaker | /H/L | 1 | M490 | | P13 | cinnamon brown | | | |
| | A03 | black | | | | | D12 | dark grey/natural | | | |
| | C53 | graphite grey | | | | | T12 | brown/natural | | | |
| | S33 | savanna | | | | (1) | 996 645 987 03 | loudspeaker | /H/L | 1 | GT2 M441 |
| | G13 | metropole blue | | | | | A03 | black | | | |
| | J33 | nephrite green | | | | | C53 | graphite grey | | | |
| | M33 | boxster red | | | | | S33 | savanna | | | |
| | P13 | cinnamon brown | | | | | G13 | metropole blue | | | |
| | D12 | dark grey/natural | | | | | J33 | nephrite green | | | |
| | T12 | brown/natural | | | | | M33 | boxster red | | | |
| (2) | 996 645 988 02 | loudspeaker | /H/R | 1 | M490 | | P13 | cinnamon brown | | | |
| | A03 | black | | | | | | | | | |

| | | | | | | | | | | | |
|-------|------|----|----|--------------|--------------|-----|-------|------------|---------|-----|---------|
| Model | Year | MG | SG | Illustration | Restrictions | UPD | 20:19 | 24.01.2010 | PORSCHE | PET | PORSCHE |
| 996T | 2005 | 9 | 11 | 911-05 | | 248 | | | | | |

| Pos | Part Number | Description | Remark | Qty | Model | Pos | Part Number | Description | Remark | Qty | Model |
|-----|----------------|-----------------------------|--------|-----|-------------|------|----------------|-------------------------------|--------|-----|-------------|
| | | D12 dark grey/natural | | | | 4 | 999 920 015 40 | plug-in nut 4,0 | /H | 02- | 4 |
| | | T12 brown/natural | | | | (4) | 999 507 767 02 | speed nut 4,2 | /V | 02- | 2 |
| (2) | 996 645 988 03 | loudspeaker | /H/R | 1 | M490 | (4) | 999 507 768 02 | speed nut 4,2 | /V | 02- | 2 |
| | | A03 black | | | | (5) | 996 645 551 00 | loudspeaker | /L | | 1 M490 |
| | | C53 graphite grey | | | | 5 | 996 645 552 00 | loudspeaker | /R | | 1 M490 |
| | | S33 savanna | | | | 6 | 996 645 501 00 | woofer | | | 2 M490 |
| | | G13 metropole blue | | | | 7 | 996 645 550 00 | protective grille | | | 2 M490 |
| | | J33 nephrite green | | | | (8) | 999 919 176 07 | oval-head screw 4,0 X 16 | | | 8 M490 |
| | | M33 boxster red | | | | 9 | 996 645 553 00 | frame | | | 2 M490 |
| | | P13 cinnamon brown | | | | 10 | 999 919 086 02 | oval-head screw 4,0 X 14 | | | 12 M490 |
| (2) | 996 645 986 03 | loudspeaker | /H/R | 1 | GT2 M441 | 11 | 999 073 061 02 | tapping screw 4,8 X 16 | | | 8 M490 |
| | | A03 black | | | | 12 | 999 591 499 02 | speed nut 4,8 | | | 6 M490 |
| | | C53 graphite grey | | | | 13 | 999 507 759 09 | speed nut 4,8 | | | 2 M490 |
| | | S33 savanna | | | | 14 | 996 555 801 01 | loudspeaker grille | | | 2 M490 |
| | | G13 metropole blue | | | | | A03 | black | | | |
| | | J33 nephrite green | | | | (14) | 000 043 206 22 | loudspeaker grille leather | | | 2 IXKL/M490 |
| | | M33 boxster red | | | | | VRK | black | | | |
| | | P13 cinnamon brown | | | | | S31 | savanna | | | |
| | | D12 dark grey/natural | | | | | C51 | graphite grey | | | |
| | | T12 brown/natural | | | | | G11 | metropole blue | | | |
| 3 | 999 919 166 07 | oval-head screw 4,0 X 30 | | 01 | 8 | | J31 | nephrite green | | | |
| 3 | 999 919 166 07 | oval-head screw 4,0 X 30 | /H | 02- | 4 | | M31 | boxster red | | | |
| (3) | 999 073 224 09 | tapping screw 4,2 X 25 | /V | 02- | 4 | | P12 | cinnamon brown | | | |
| 4 | 999 920 015 40 | plug-in nut 4,0 | | 01 | 8 | | D12 | dark grey/natural | | | |

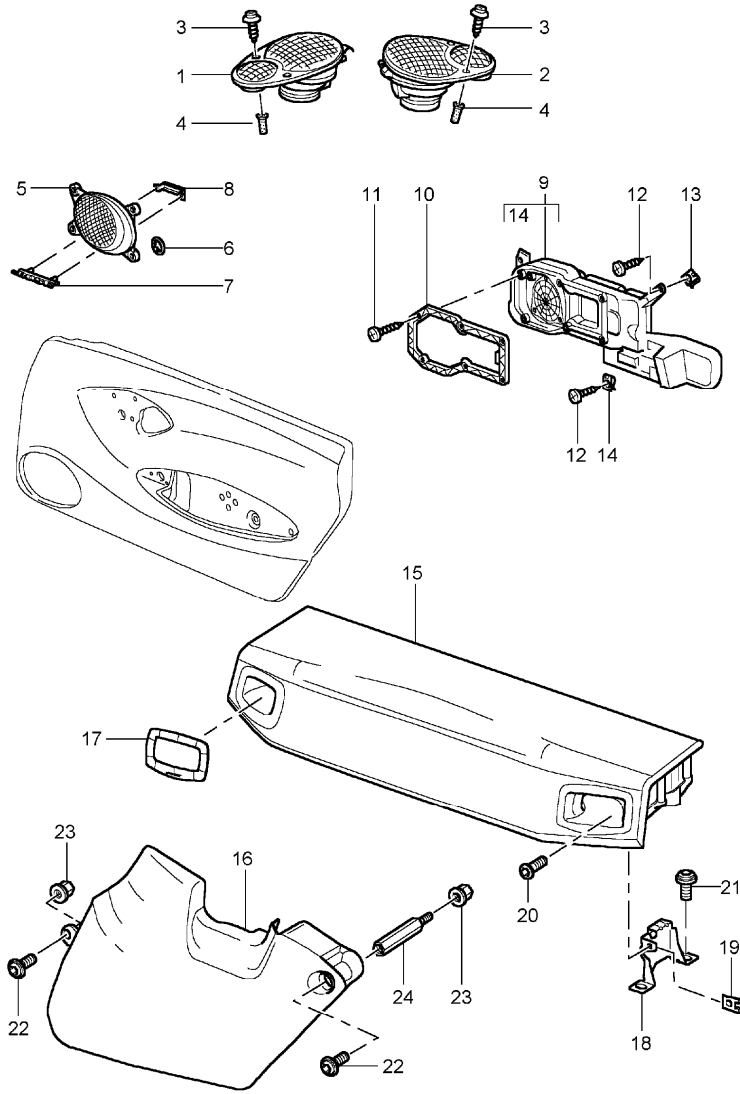
| | | | | | | | | | | | |
|-------|------|----|----|--------------|--------------|-----|-------|------------|---------|-----|---------|
| Model | Year | MG | SG | Illustration | Restrictions | UPD | 20:19 | 24.01.2010 | PORSCHE | PET | PORSCHE |
| 996T | 2005 | 9 | 11 | 911-05 | | 248 | | | | | |

| Pos | Part Number | Description | Remark | Qty | Model | Pos | Part Number | Description | Remark | Qty | Model |
|------|----------------|--|--------|-----|-----------|------|----------------|--|--------|-----|-----------|
| (14) | 000 043 206 23 | T12 brown/natural loudspeaker grille light maple rootwood | /L | 1 | IXKM/M490 | (14) | 000 043 206 50 | M33 boxster red P13 cinnamon brown D12 dark grey/natural T12 brown/natural loudspeaker grille dark maple rootwood | /R | 1 | IXKN/M490 |
| (14) | 000 043 206 49 | A03 black C53 graphite grey S33 savanna G13 metropole blue J33 nephrite green M33 boxster red P13 cinnamon brown D12 dark grey/natural T12 brown/natural loudspeaker grille light maple rootwood | /R | 1 | IXKM/M490 | (14) | 000 043 206 25 | A03 black C53 graphite grey S33 savanna G13 metropole blue J33 nephrite green M33 boxster red P13 cinnamon brown D12 dark grey/natural T12 brown/natural loudspeaker grille carbon | /L | 1 | IXKP/M490 |
| (14) | 000 043 206 24 | A03 black C53 graphite grey S33 savanna G13 metropole blue J33 nephrite green loudspeaker grille dark maple rootwood | /L | 1 | IXKN/M490 | (14) | 000 043 206 51 | M33 boxster red P13 cinnamon brown D12 dark grey/natural T12 brown/natural loudspeaker grille carbon | /R | 1 | IXKP/M490 |

| | | | | | | | | | | | |
|-------|------|----|----|--------------|--------------|-----|-------|------------|---------|-----|---------|
| Model | Year | MG | SG | Illustration | Restrictions | UPD | 20:19 | 24.01.2010 | PORSCHE | PET | PORSCHE |
| 996T | 2005 | 9 | 11 | 911-05 | | 248 | | | | | |

| Pos | Part Number | Description | Remark | Qty | Model | Pos | Part Number | Description | Remark | Qty | Model |
|------|----------------|--|--------|-----|-----------|-----|-------------|-------------|--------|-----|-------|
| | | S33 savanna | | | | | | | | | |
| | | G13 metropole blue | | | | | | | | | |
| | | J33 nephrite green | | | | | | | | | |
| | | M33 boxster red | | | | | | | | | |
| | | P13 cinnamon brown | | | | | | | | | |
| | | D12 dark grey/natural | | | | | | | | | |
| | | T12 brown/natural | | | | | | | | | |
| (14) | 000 043 206 88 | loudspeaker grille frame leather grille aluminium look | | 2 | IXTR/M490 | | | | | | |
| | | A10 black | | | | | | | | | |
| | | C50 graphite grey | | | | | | | | | |
| | | S30 savanna | | | | | | | | | |
| | | G10 metropole blue | | | | | | | | | |
| | | J30 nephrite green | | | | | | | | | |
| | | M30 boxster red | | | | | | | | | |
| | | P11 cinnamon brown | | | | | | | | | |
| | | D11 dark grey/natural | | | | | | | | | |
| | | T11 brown/natural | | | | | | | | | |
| 15 | 999 591 946 02 | clamping washer 5,0 | | 8 | M490 | | | | | | |

| | | | | | | | | | | | |
|-------|------|----|----|--------------|--------------|-----|-------|------------|---------|-----|---------|
| Model | Year | MG | SG | Illustration | Restrictions | UPD | 20:19 | 24.01.2010 | PORSCHE | PET | PORSCHE |
| 996T | 2005 | 9 | 11 | 911-06 | | 248 | | | | | |



| Pos | Part Number | Description | Remark | Qty | Model | |
|-----|----------------|-------------|----------------|-----|-------|--------|
| 1 | 996 645 033 00 | loudspeaker | 02- | 1 | M680 | |
| | | loudspeaker | /V/L | | M680 | |
| | | C50 | graphite grey | | | |
| | | G10 | metropole blue | | | |
| | | J30 | nephrite green | | | |
| | | M30 | boxster red | | | |
| (1) | 996 645 044 00 | loudspeaker | /H/L | 1 | COUPE | |
| | | | /H/R | | 04- | M680 |
| | | | | | | CABRIO |
| | | | | | | M680 |
| | | C50 | graphite grey | | | |
| | | G10 | metropole blue | | | |
| 2 | 996 645 034 00 | loudspeaker | /V/R | 1 | M680 | |
| | | C50 | graphite grey | | | |
| | | G10 | metropole blue | | | |
| | | J30 | nephrite green | | | |
| | | M30 | boxster red | | | |
| | | S30 | savanna | | | |
| (2) | 996 645 043 00 | loudspeaker | /H/R | 1 | COUPE | |
| | | | /H/L | | 04- | M680 |
| | | | | | | CABRIO |
| | | | | | | M680 |
| | | C50 | graphite grey | | | |
| | | J30 | nephrite green | | | |

| | | | | | | | | | | | |
|-------|------|----|----|--------------|--------------|-----|-------|------------|---------|-----|---------|
| Model | Year | MG | SG | Illustration | Restrictions | UPD | 20:19 | 24.01.2010 | PORSCHE | PET | PORSCHE |
| 996T | 2005 | 9 | 11 | 911-06 | | 248 | | | | | |

| Pos | Part Number | Description | Remark | Qty | Model | Pos | Part Number | Description | Remark | Qty | Model |
|-----|----------------|---------------------------------|--------|-----|-----------------------|-----|----------------|--------------------------------|--------|-----|-----------------------|
| | M30 | boxster red | | | | | C51 | graphite grey | | | |
| | S30 | savanna | | | | | G11 | metropole blue | | | |
| | P10 | cinnamon brown | | | | | J31 | nephrite green | | | |
| 1 | 996 645 033 01 | loudspeaker | /V/L | 1 | M680 | | M31 | boxster red | | | |
| | 01C | satin black | | | | | P12 | cinnamon brown | | | |
| (1) | 996 645 044 01 | loudspeaker | /H/L | 1 | COUPE M680 | | D12 | dark grey/natural | | | |
| | | | /H/R | | 04- CABRIO M680 | | T12 | brown/natural | | | |
| | 01C | satin black | | | | | | loudspeaker rear leather | | | IXKL |
| 2 | 996 645 034 01 | loudspeaker | /V/R | 1 | M680 | (1) | 996 645 989 06 | loudspeaker | /H/L | 1 | COUPE M680 |
| | 01C | satin black | | | | | | | /H/R | | 04- CABRIO M680 |
| (2) | 996 645 043 01 | loudspeaker | /H/R | 1 | COUPE M680 | | VRK | black | | | |
| | | | /H/L | | 04- CABRIO M680 | | S31 | savanna | | | |
| | 01C | satin black | | | | | C51 | graphite grey | | | |
| | | loudspeaker front leather | | | IXKL/XKM/XKN IXKP | | G11 | metropole blue | | | |
| 1 | 996 645 983 02 | loudspeaker | /V/L | 1 | M680 | | J31 | nephrite green | | | |
| | VRK | black | | | | | M31 | boxster red | | | |
| | S31 | savanna | | | | | P12 | cinnamon brown | | | |
| | C51 | graphite grey | | | | | D12 | dark grey/natural | | | |
| | G11 | metropole blue | | | | | T12 | brown/natural | | | |
| | J31 | nephrite green | | | | (2) | 996 645 988 06 | loudspeaker | /H/R | 1 | COUPE M680 |
| | M31 | boxster red | | | | | | | /H/L | | 04- CABRIO M680 |
| | P12 | cinnamon brown | | | | | VRK | black | | | |
| | D12 | dark grey/natural | | | | | S31 | savanna | | | |
| | T12 | brown/natural | | | | | C51 | graphite grey | | | |
| 2 | 996 645 984 02 | loudspeaker | /V/R | 1 | M680 | | G11 | metropole blue | | | |
| | VRK | black | | | | | J31 | nephrite green | | | |
| | S31 | savanna | | | | | M31 | boxster red | | | |

| | | | | | | | | | | | |
|-------|------|----|----|--------------|--------------|-----|-------|------------|---------|-----|---------|
| Model | Year | MG | SG | Illustration | Restrictions | UPD | 20:19 | 24.01.2010 | PORSCHE | PET | PORSCHE |
| 996T | 2005 | 9 | 11 | 911-06 | | 248 | | | | | |

| Pos | Part Number | Description | Remark | Qty | Model | Pos | Part Number | Description | Remark | Qty | Model |
|-----|----------------|-------------------|--------------|-----|---|-----|----------------|---------------------|--------------|-----|--------------------------------------|
| | P12 | cinnamon brown | | | | | | loudspeaker | | | IXKN |
| | D12 | dark grey/natural | | | | | | rear | | | |
| | T12 | brown/natural | | | | | | dark maple rootwood | | | |
| (1) | 996 645 989 07 | loudspeaker | /H/L /H/R | 1 | IXKM COUPE M680 CABRIO M680 | (1) | 996 645 989 08 | loudspeaker | /H/L /H/R | 04- | 1 COUPE M680 CABRIO M680 |
| | A03 | black | | | | | A03 | black | | | |
| | C53 | graphite grey | | | | | C53 | graphite grey | | | |
| | S33 | savanna | | | | | S33 | savanna | | | |
| | G13 | metropole blue | | | | | G13 | metropole blue | | | |
| | J33 | nephrite green | | | | | J33 | nephrite green | | | |
| | M33 | boxster red | | | | | M33 | boxster red | | | |
| | P13 | cinnamon brown | | | | | P13 | cinnamon brown | | | |
| | D12 | dark grey/natural | | | | | D12 | dark grey/natural | | | |
| | T12 | brown/natural | | | | | T12 | brown/natural | | | |
| (2) | 996 645 988 07 | loudspeaker | /H/R /H/L | 1 | COUPE M680 CABRIO M680 | (2) | 996 645 988 08 | loudspeaker | /H/R /H/L | 04- | 1 COUPE M680 CABRIO M680 |
| | A03 | black | | | | | A03 | black | | | |
| | C53 | graphite grey | | | | | C53 | graphite grey | | | |
| | S33 | savanna | | | | | S33 | savanna | | | |
| | G13 | metropole blue | | | | | G13 | metropole blue | | | |
| | J33 | nephrite green | | | | | J33 | nephrite green | | | |
| | M33 | boxster red | | | | | M33 | boxster red | | | |
| | P13 | cinnamon brown | | | | | P13 | cinnamon brown | | | |
| | D12 | dark grey/natural | | | | | D12 | dark grey/natural | | | |
| | T12 | brown/natural | | | | | T12 | brown/natural | | | |
| | | | | | | | | loudspeaker | | | IXKP |
| | | | | | | | | rear | | | |
| | | | | | | | | carbon | | | |

| | | | | | | | | | | | |
|-------|------|----|----|--------------|--------------|-----|-------|------------|---------|-----|---------|
| Model | Year | MG | SG | Illustration | Restrictions | UPD | 20:19 | 24.01.2010 | PORSCHE | PET | PORSCHE |
| 996T | 2005 | 9 | 11 | 911-06 | | 248 | | | | | |

| Pos | Part Number | Description | Remark | Qty | Model | Pos | Part Number | Description | Remark | Qty | Model |
|-----|----------------|-----------------------------|------------------|-----|---------------------------------|-----|----------------|--|--------|-----|-----------|
| (1) | 996 645 989 09 | loudspeaker | /H/L /H/R 04- | 1 | COUPE M680 CABRIO M680 | (4) | 999 507 768 02 | speed nut 4,2 | /V | 2 | |
| | A03 | black | | | | 5 | 996 555 801 01 | loudspeaker grille | | 2 | M680 |
| | C53 | graphite grey | | | | | A03 | black | | | |
| | S33 | savanna | | | | (5) | 000 043 206 22 | loudspeaker grille leather | | 2 | IXKL/M680 |
| | G13 | metropole blue | | | | | VRK | black | | | |
| | J33 | nephrite green | | | | | S31 | savanna | | | |
| | M33 | boxster red | | | | | C51 | graphite grey | | | |
| | P13 | cinnamon brown | | | | | G11 | metropole blue | | | |
| | D12 | dark grey/natural | | | | | J31 | nephrite green | | | |
| | T12 | brown/natural | | | | | M31 | boxster red | | | |
| (2) | 996 645 988 09 | loudspeaker | /H/R /H/L 04- | 1 | COUPE M680 CABRIO M680 | | P12 | cinnamon brown | | | |
| | A03 | black | | | | | D12 | dark grey/natural | | | |
| | C53 | graphite grey | | | | (5) | 000 043 206 23 | loudspeaker grille light maple rootwood | /L | 1 | IXKM/M680 |
| | S33 | savanna | | | | | A03 | black | | | |
| | G13 | metropole blue | | | | | C53 | graphite grey | | | |
| | J33 | nephrite green | | | | | S33 | savanna | | | |
| | M33 | boxster red | | | | | G13 | metropole blue | | | |
| | P13 | cinnamon brown | | | | | J33 | nephrite green | | | |
| | D12 | dark grey/natural | | | | | M33 | boxster red | | | |
| | T12 | brown/natural | | | | | P13 | cinnamon brown | | | |
| 3 | 999 919 166 07 | oval-head screw 4,0 X 30 | /H | 4 | | | D12 | dark grey/natural | | | |
| (3) | 999 073 224 09 | tapping screw 4,2 X 25 | /V | 4 | | (5) | 000 043 206 49 | loudspeaker grille light maple rootwood | /R | 1 | IXKM/M680 |
| 4 | 999 920 015 40 | plug-in nut 4,0 | /H | 4 | | | A03 | black | | | |
| (4) | 999 507 767 02 | speed nut 4,2 | /V | 2 | | | C53 | graphite grey | | | |
| | | | | | | | S33 | savanna | | | |

| | | | | | | | | | | | |
|-------|------|----|----|--------------|--------------|-----|-------|------------|---------|-----|---------|
| Model | Year | MG | SG | Illustration | Restrictions | UPD | 20:19 | 24.01.2010 | PORSCHE | PET | PORSCHE |
| 996T | 2005 | 9 | 11 | 911-06 | | 248 | | | | | |

| Pos | Part Number | Description | Remark | Qty | Model | Pos | Part Number | Description | Remark | Qty | Model |
|-----|----------------|---|--------|-----|-----------|-----|----------------|--|--------|-----|-----------|
| | G13 | metropole blue | | | | | A03 | black | | | |
| | J33 | nephrite green | | | | | C53 | graphite grey | | | |
| | M33 | boxster red | | | | | S33 | savanna | | | |
| | P13 | cinnamon brown | | | | | G13 | metropole blue | | | |
| | D12 | dark grey/natural | | | | | J33 | nephrite green | | | |
| | T12 | brown/natural | | | | | M33 | boxster red | | | |
| (5) | 000 043 206 24 | loudspeaker grille dark maple rootwood | /L | 1 | IXKN/M680 | | P13 | cinnamon brown | | | |
| | A03 | black | | | | | D12 | dark grey/natural | | | |
| | C53 | graphite grey | | | | (5) | 000 043 206 51 | loudspeaker grille carbon | /R | 1 | IXKP/M680 |
| | S33 | savanna | | | | | A03 | black | | | |
| | G13 | metropole blue | | | | | C53 | graphite grey | | | |
| | J33 | nephrite green | | | | | S33 | savanna | | | |
| | M33 | boxster red | | | | | G13 | metropole blue | | | |
| | P13 | cinnamon brown | | | | | J33 | nephrite green | | | |
| | D12 | dark grey/natural | | | | | M33 | boxster red | | | |
| | T12 | brown/natural | | | | | P13 | cinnamon brown | | | |
| (5) | 000 043 206 50 | loudspeaker grille dark maple rootwood | /R | 1 | IXKN/M680 | | D12 | dark grey/natural | | | |
| | A03 | black | | | | | T12 | brown/natural | | | |
| | C53 | graphite grey | | | | (5) | 000 043 206 88 | loudspeaker grille frame leather grille aluminium look | | 2 | IXTR/M680 |
| | S33 | savanna | | | | | A10 | black | | | |
| | G13 | metropole blue | | | | | C50 | graphite grey | | | |
| | J33 | nephrite green | | | | | S30 | savanna | | | |
| | M33 | boxster red | | | | | G10 | metropole blue | | | |
| | P13 | cinnamon brown | | | | | J30 | nephrite green | | | |
| | D12 | dark grey/natural | | | | | M30 | boxster red | | | |
| | T12 | brown/natural | | | | | | | | | |
| (5) | 000 043 206 25 | loudspeaker grille carbon | /L | 1 | IXKP/M680 | | | | | | |

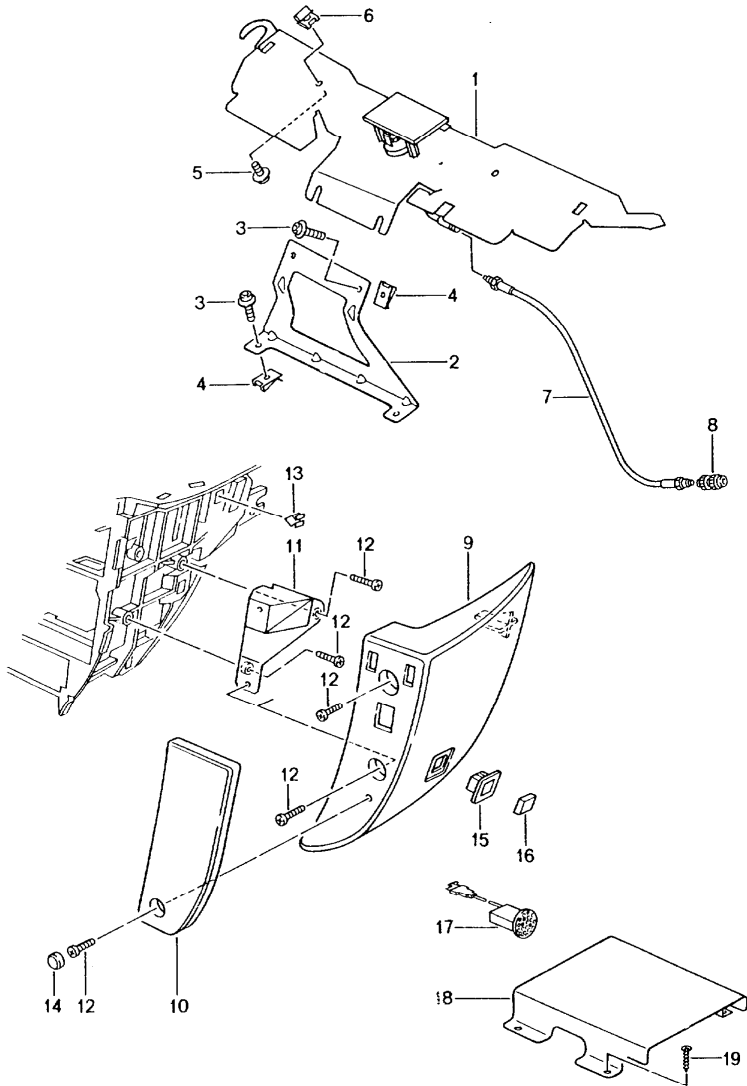
| | | | | | | | | | | | |
|-------|------|----|----|--------------|--------------|-----|-------|------------|---------|-----|---------|
| Model | Year | MG | SG | Illustration | Restrictions | UPD | 20:19 | 24.01.2010 | PORSCHE | PET | PORSCHE |
| 996T | 2005 | 9 | 11 | 911-06 | | 248 | | | | | |

| Pos | Part Number | Description | Remark | Qty | Model | Pos | Part Number | Description | Remark | Qty | Model |
|-----|----------------|-----------------------------|--------|-----|------------------|------|----------------|-------------------|--------|-----|------------------|
| | P11 | cinnamon brown | | | | | A10 | black | | | |
| | D11 | dark grey/natural | | | | | C50 | graphite grey | | | |
| | T11 | brown/natural | | | | | S30 | savanna | | | |
| 6 | 999 591 946 02 | clamping washer 5,0 | | 8 | M680 | | G10 | metropole blue | | | |
| 7 | 996 645 511 00 | logo | | 2 | M680 | | J30 | nephrite green | | | |
| 8 | 996 645 512 00 | clip | | 2 | M680 | | M30 | boxster red | | | |
| 9 | 996 645 561 00 | loudspeaker | /L | 1 | M680 | | P11 | cinnamon brown | | | |
| (9) | 996 645 562 00 | loudspeaker | /R | 1 | M680 | | D11 | dark grey/natural | | | |
| 10 | 996 645 553 00 | frame | | 2 | M680 | | T11 | brown/natural | | | |
| 11 | 999 919 086 02 | oval-head screw 4,0 X 14 | | 12 | M680 | (16) | 996 645 566 00 | subwoofer | /RL | 04- | 1 CABRIO M680 |
| 12 | 999 073 061 02 | tapping screw 4,8 X 16 | | 8 | M680 | | A10 | black | | | |
| 13 | 999 591 499 02 | speed nut 4,8 | | 6 | M680 | | C50 | graphite grey | | | |
| 14 | 999 507 759 09 | speed nut 4,8 | | 2 | M680 | | S30 | savanna | | | |
| | | subwoofer | | | M680 | | G10 | metropole blue | | | |
| 15 | 996 645 564 00 | subwoofer | /H | 1 | COUPE M680 | | J30 | nephrite green | | | |
| | FFB | black | | | | | M30 | boxster red | | | |
| | FFC | graphite grey | | | | | P11 | cinnamon brown | | | |
| | FFD | savanna | | | | | D11 | dark grey/natural | | | |
| | FFE | metropole blue | | | | | T11 | brown/natural | | | |
| | FFG | nephrite green | | | | 17 | 996 645 568 00 | rosette | /H | | 2 COUPE M680 |
| | FFH | boxster red | | | | | A10 | black | | | |
| | FFJ | cinnamon brown | | | | | C50 | graphite grey | | | |
| | VSP | dark grey/natural | | | | | S30 | savanna | | | |
| | VSQ | brown/natural | | | | | G10 | metropole blue | | | |
| 16 | 996 645 567 00 | subwoofer | /LL | 04- | 1 CABRIO M680 | | J30 | nephrite green | | | |
| | | | | | | | M30 | boxster red | | | |
| | | | | | | | P10 | cinnamon brown | | | |

| | | | | | | | | | | | |
|-------|------|----|----|--------------|--------------|-----|-------|------------|---------|-----|---------|
| Model | Year | MG | SG | Illustration | Restrictions | UPD | 20:19 | 24.01.2010 | PORSCHE | PET | PORSCHE |
| 996T | 2005 | 9 | 11 | 911-06 | | 248 | | | | | |

| Pos | Part Number | Description | Remark | Qty | Model | Pos | Part Number | Description | Remark | Qty | Model |
|------|----------------|---|--------|-----|------------------|-----|-------------|-------------|--------|-----|-------|
| (18) | 996 645 245 00 | support M 6,0 X 25 | /L | 1 | COUPE M680 | | | | | | |
| 18 | 996 645 246 00 | support M 6,0 X 25 | /R | 1 | COUPE M680 | | | | | | |
| 19 | 999 507 766 02 | speed nut M 6 M 6,0 X 25 | | 2 | COUPE M680 | | | | | | |
| 20 | 999 073 113 09 | oval-head screw M 6,0 X 50 ASP M 6,0 X 25 | | 2 | COUPE M680 | | | | | | |
| 21 | 900 380 015 01 | hexagon nut VM 6 M 6,0 X 25 | | 4 | COUPE M680 | | | | | | |
| 22 | 999 073 223 07 | oval-head screw M 6,0 X 25 | | 04- | 2 CABRIO M680 | | | | | | |
| 23 | 999 500 069 01 | blind rivet nut M 6/0,5 - 3 | | 04- | 2 CABRIO M680 | | | | | | |
| 24 | 999 061 272 36 | spacer bolt M 6 X 82,5 | | 04- | 1 CABRIO M680 | | | | | | |

| | | | | | | | | | | | |
|-------|------|----|----|--------------|--------------|-----|-------|------------|---------|-----|---------|
| Model | Year | MG | SG | Illustration | Restrictions | UPD | 20:19 | 24.01.2010 | PORSCHE | PET | PORSCHE |
| 996T | 2005 | 9 | 11 | 911-10 | | 248 | | | | | |



| Pos | Part Number | Description | Remark | Qty | Model |
|-----|------------------|---|--------|-----|--------|
| | | preparation for telephone | | | M618 |
| 1 | 996 647 125 00 | antenna | /LL | 1 | |
| (1) | 996 647 126 00 | antenna | /RL | 1 | |
| 2 | A 996 647 127 00 | support POS. 3 + 4 attention | /LL | -04 | 1 |
| (2) | 997 647 127 00 | support POS. 3 + 4 attention | /LL | 04- | 1 |
| (2) | A 996 647 128 00 | support POS. 3 + 4 attention | /RL | -04 | 1 |
| (2) | 997 647 128 00 | support POS. 3 + 4 attention | /RL | 04- | 1 |
| 3 | 999 073 203 00 | round head screw M 5 X 12 - Z2 for support 996.647.127/128.00 | | -04 | 4 |
| 3 | 999 073 236 0A | oval-head screw M 6 X 10 for support 997.647.127/128.00 | | 04- | 4 |
| 4 | 999 507 067 09 | speed nut M 5 for support 996.647.127/128.00 | | -04 | 4 |
| 4 | 999 507 550 01 | speed nut M 6 for support 997.647.127/128.00 | | 04- | 4 |
| 5 | 999 073 210 00 | tapping screw 4,8 X 13 | | | 2 |
| 6 | A 999 507 441 02 | speed nut 4,8 | | | 2 |
| 6 | 999 507 441 01 | speed nut 4,8 | | | 2 |
| 7 | 996 612 037 00 | extension cable | | | 1 M618 |

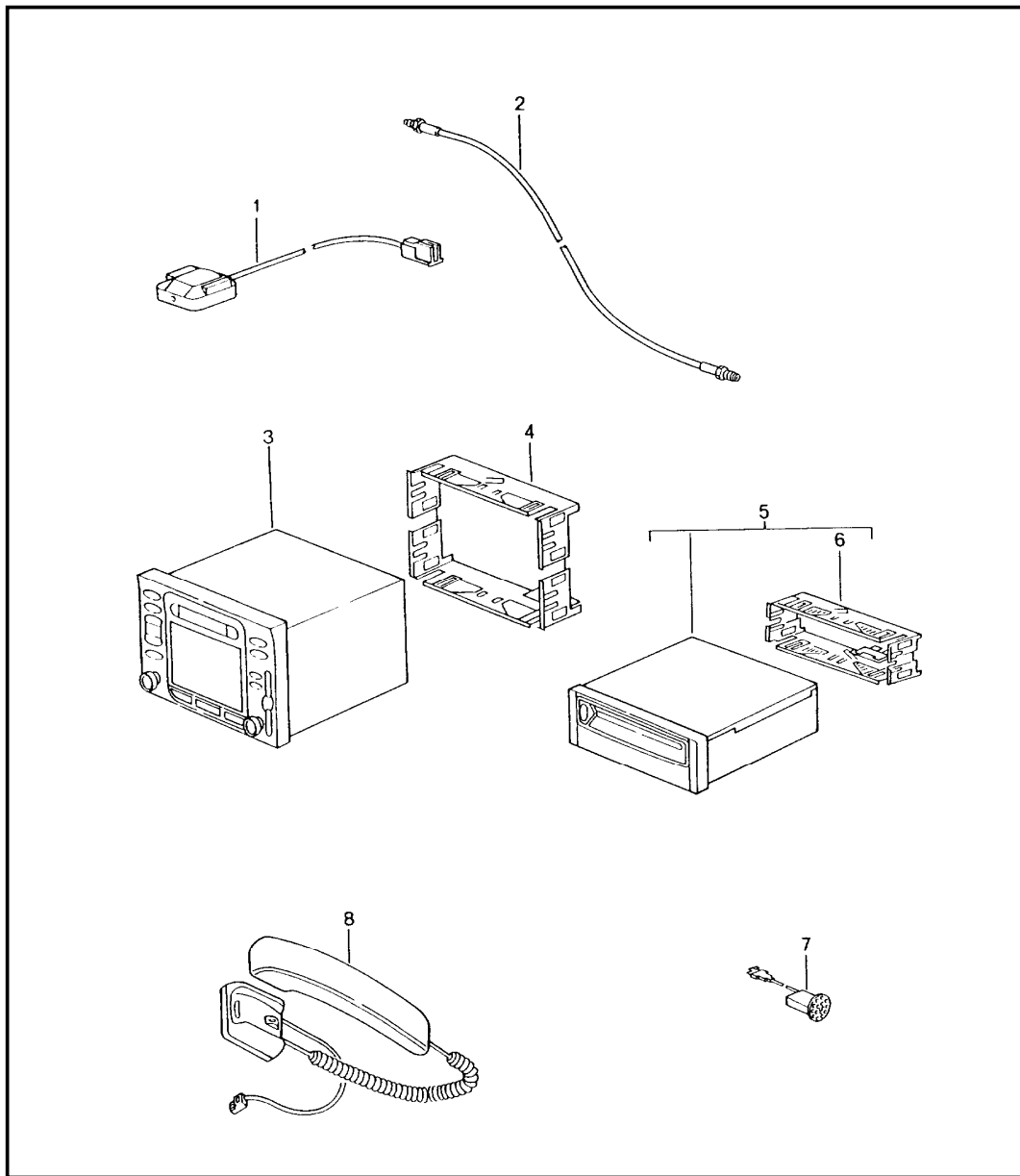
| | | | | | | | | | | | |
|-------|------|----|----|--------------|--------------|-----|-------|------------|---------|-----|---------|
| Model | Year | MG | SG | Illustration | Restrictions | UPD | 20:19 | 24.01.2010 | PORSCHE | PET | PORSCHE |
| 996T | 2005 | 9 | 11 | 911-10 | | 248 | | | | | |

| Pos | Part Number | Description | Remark | Qty | Model | Pos | Part Number | Description | Remark | Qty | Model |
|------|----------------|-------------------|--------|-----|-------|------|----------------|--------------------------------|--------|-----|-------|
| (7) | 996 612 007 00 | extension cable | 03- | 1 | M666 | 10 | 996 552 979 00 | attachment leather | /LL | 1 | IXEA |
| 8 | 964 646 318 00 | adapter plug | /LL | 1 | M618 | | A11 | black | | | |
| (8) | 996 646 318 00 | adapter plug | /RL | 1 | M618 | | C51 | graphite grey | | | |
| 9 | 996 552 094 03 | bracket leather | /LL | 1 | | | S31 | savanna | | | |
| | A11 | black | | | | | G11 | metropole blue | | | |
| | C51 | graphite grey | | | | | J31 | nephrite green | | | |
| | S31 | savanna | | | | | M31 | boxster red | | | |
| | J31 | nephrite green | | | | | P12 | cinnamon brown | | | |
| | M31 | boxster red | | | | | D12 | dark grey/natural | | | |
| | G11 | metropole blue | | | | | T12 | brown/natural | | | |
| | P12 | cinnamon brown | | | | (10) | 996 552 979 01 | attachment leather | /RL | 1 | IXEA |
| | D12 | dark grey/natural | | | | | A11 | black | | | |
| | T12 | brown/natural | | | | | C51 | graphite grey | | | |
| (9) | 996 552 093 03 | bracket leather | /RL | 1 | | | S31 | savanna | | | |
| | A11 | black | | | | | G11 | metropole blue | | | |
| | C51 | graphite grey | | | | | J31 | nephrite green | | | |
| | S31 | savanna | | | | | M31 | boxster red | | | |
| | J31 | nephrite green | | | | | P12 | cinnamon brown | | | |
| | M31 | boxster red | | | | | D12 | dark grey/natural | | | |
| | G11 | metropole blue | | | | | T12 | brown/natural | | | |
| | P12 | cinnamon brown | | | | 11 | 996 552 624 02 | adapter | | 1 | |
| | D12 | dark grey/natural | | | | - | 996 552 582 00 | filler piece bracket telephone | /LL | 1 | |
| | T12 | brown/natural | | | | | 01C | satin black | | | |
| 10 | 996 552 298 00 | attachment | /LL | 1 | | - | 996 552 581 00 | filler piece bracket telephone | /RL | 1 | |
| | 01C | satin black | | | | | 01C | satin black | | | |
| (10) | 996 552 297 00 | attachment | /RL | 1 | | | | | | | |
| | 01C | satin black | | | | | | | | | |

| | | | | | | | | | | | |
|-------|------|----|----|--------------|--------------|-----|-------|------------|---------|-----|---------|
| Model | Year | MG | SG | Illustration | Restrictions | UPD | 20:19 | 24.01.2010 | PORSCHE | PET | PORSCHE |
| 996T | 2005 | 9 | 11 | 911-10 | | 248 | | | | | |

| Pos | Part Number | Description | Remark | Qty | Model | Pos | Part Number | Description | Remark | Qty | Model |
|------|----------------|-----------------------------|--------|-----|-------|------|----------------|----------------------------|--------|-----|----------------------|
| 12 | 999 919 121 09 | oval-head screw 5,0 X 16 | | 6 | | | S33 | savanna | | | |
| 13 | 999 507 476 01 | clamp 8,0 X 10,2 | | 3 | | | G13 | metropole blue | | | |
| 14 | 996 552 824 00 | cap | | 1 | | | J33 | nephrite green | | | |
| | 01C | satin black | | | | | M33 | boxster red | | | |
| | | | | | | | P13 | cinnamon brown | | | |
| 14 | 996 552 978 00 | cap leather | | 1 | IXEA | (17) | 996 646 307 02 | microphone | /LL | 02 | 1 |
| | A11 | black | | | | | A03 | black | | | |
| | C51 | graphite grey | | | | | C53 | graphite grey | | | |
| | S31 | savanna | | | | | S33 | savanna | | | |
| | G11 | metropole blue | | | | | G13 | metropole blue | | | |
| | J31 | nephrite green | | | | | J33 | nephrite green | | | |
| | M31 | boxster red | | | | | M33 | boxster red | | | |
| | P12 | cinnamon brown | | | | | P13 | cinnamon brown | | | |
| | D12 | dark grey/natural | | | | (17) | 996 646 308 02 | microphone | /RL | 02 | 1 |
| | T12 | brown/natural | | | | | A03 | black | | | |
| | | | | | | | C53 | graphite grey | | | |
| 15 | 996 646 125 01 | frame | | 1 | | | S33 | savanna | | | |
| 16 | 996 646 126 00 | cover | | 1 | | | G13 | metropole blue | | | |
| 17 | 996 646 307 01 | microphone | /LL | 01 | 1 | | J33 | nephrite green | | | |
| | A03 | black | | | | | M33 | boxster red | | | |
| | C53 | graphite grey | | | | | P13 | cinnamon brown | | | |
| | S33 | savanna | | | | | | | | | |
| | G13 | metropole blue | | | | 18 | 996 646 235 01 | support | | 1 | M618 |
| | J33 | nephrite green | | | | 19 | 999 073 060 02 | tapping screw 4,8 X 13 | | 4 | M618 |
| | M33 | boxster red | | | | - | 996 521 663 01 | stop seat rail inner | | 1 | M437/438 |
| | P13 | cinnamon brown | | | | - | 996 521 665 00 | stop seat rail inner | | 1 | M375/376 M539/540 |
| (17) | 996 646 308 01 | microphone | /RL | 01 | 1 | | | | | | |
| | A03 | black | | | | | | | | | |
| | C53 | graphite grey | | | | | | | | | |

| | | | | | | | | | | | |
|-------|------|----|----|--------------|--------------|-----|-------|------------|---------|-----|---------|
| Model | Year | MG | SG | Illustration | Restrictions | UPD | 20:19 | 24.01.2010 | PORSCHE | PET | PORSCHE |
| 996T | 2005 | 9 | 11 | 911-15 | | 248 | | | | | |



| Pos | Part Number | Description | Remark | Qty | Model |
|-------|----------------|---|--------|-----|----------|
| | | navigation system receiver | -02 | | M662 |
| | | see technical information GR.9 , NR.2/02 | -02 | | M663 |
| | | antenna telephone see group 9 /11/10 | | | |
| 1 | 996 642 206 00 | antenna - GPS - | | 1 | |
| 2 | 996 612 038 00 | extension cable telephone | | 1 | |
| (2) | 996 612 970 01 | extension cable - GPS - | | 1 | |
| (3) > | 996 642 904 04 | control part | | 01 | 1 |
| | | EFR gloss black tech. information memo GR.9 , 2A/00 | | | |
| - | 996 642 953 00 | rotary knob | /L | 01 | 1 |
| - | 996 642 954 00 | rotary knob | /R | 01 | 1 |
| (3) > | 996 642 944 00 | control part | | 02 | 1 |
| | | EWD black mat | | | |
| - | 996 642 955 00 | rotary knob | /L | 02 | 1 |
| - | 996 642 956 00 | rotary knob | /R | 02 | 1 |
| 4 | 996 642 103 01 | retaining frame | | 1 | |
| (5) > | 996 642 122 01 | computer | | 01 | 1 |
| | | EFR gloss black F >>991S6 82634 | | | |
| | | cd-rom for computer 996.642.122.01.EFR | | | |
| - | 996 642 131 06 | cd-rom | | 1 | M499 |
| - A | 996 642 132 06 | cd-rom | | 1 | M124 |
| - A | 996 642 133 06 | cd-rom | | 1 | M061 |
| - A | 996 642 134 06 | cd-rom | | 1 | M111/277 |

| | | | | | | | | | | | |
|-------|------|----|----|--------------|--------------|-----|-------|------------|---------|-----|---------|
| Model | Year | MG | SG | Illustration | Restrictions | UPD | 20:19 | 24.01.2010 | PORSCHE | PET | PORSCHE |
| 996T | 2005 | 9 | 11 | 911-15 | | 248 | | | | | |

| Pos | Part Number | Description | Remark | Qty | Model | Pos | Part Number | Description | Remark | Qty | Model |
|-------|------------------|---|--------|-----|------------------|-----|----------------|---------------------|--------|-----|-------|
| - | A 996 642 135 06 | cd-rom | | 1 | M063/064 M225 | | M33 | boxster red | | | |
| - | 996 642 136 06 | cd-rom | | 1 | M119 | | P13 | cinnamon brown | | | |
| - | 996 642 137 06 | cd-rom | | 1 | M062 | (7) | 996 646 308 01 | microphone | /RL | 01 | 1 |
| - | 996 642 138 06 | cd-rom | | 1 | M034 | | A03 | black | | | |
| (5) > | 996 642 122 03 | computer | | 01 | 1 | | C53 | graphite grey | | | |
| | EFR | gloss black F 991S6 82635>> | | | | | S33 | savanna | | | |
| (5) > | 996 642 122 12 | computer | | 02 | 1 | | G13 | metropole blue | | | |
| | EWD | black mat | | | | | J33 | nephrite green | | | |
| | | cd-rom for computer 996.642.122.03.EFR 996.642.122.12.EWD | | | | (7) | M33 | boxster red | | | |
| - | 996 642 131 07 | cd-rom | | 1 | M499 | | P13 | cinnamon brown | | | |
| - | 996 642 132 07 | cd-rom replacement see catalogue tequipment | | 1 | M124 | | A03 | black | /LL | 02 | 1 |
| - | 996 642 133 07 | cd-rom | | 1 | M061 | | C53 | graphite grey | | | |
| - | 996 642 134 07 | cd-rom | | 1 | M111/277 | | S33 | savanna | | | |
| - | 996 642 135 07 | cd-rom | | 1 | M063/064 M225 | (7) | G13 | metropole blue | | | |
| - | 996 642 136 07 | cd-rom | | 1 | M119 | | J33 | nephrite green | | | |
| - | 996 642 137 07 | cd-rom | | 1 | M062 | | M33 | boxster red | | | |
| - | 996 642 138 07 | cd-rom | | 1 | M034 | | P13 | cinnamon brown | | | |
| 6 | 993 645 173 00 | retaining frame | | 1 | | | 996 646 308 02 | microphone | /RL | 02 | 1 |
| 7 | 996 646 307 01 | microphone | /LL | 01 | 1 | | A03 | black | | | |
| | | A03 | | | | | C53 | graphite grey | | | |
| | | C53 | | | | | S33 | savanna | | | |
| | | S33 | | | | 8 | G13 | metropole blue | | | |
| | | G13 | | | | 8 | J33 | nephrite green | | | |
| | | J33 | | | | | M33 | boxster red | | | |
| | | | | | | | P13 | cinnamon brown | | | |
| | | | | | | | 996 642 111 01 | receiver | | 1 | M663 |
| | | | | | | | 996 642 980 00 | receiver leather | | 1 | IXEA |

| | | | | | | | | | | | |
|-------|------|----|----|--------------|--------------|-----|-------|------------|---------|-----|---------|
| Model | Year | MG | SG | Illustration | Restrictions | UPD | 20:19 | 24.01.2010 | PORSCHE | PET | PORSCHE |
| 996T | 2005 | 9 | 11 | 911-15 | | 248 | | | | | |

| Pos | Part Number | Description | Remark | Qty | Model | Pos | Part Number | Description | Remark | Qty | Model |
|-----|-------------|--|--------|-----|-------|-----|-------------|-------------|--------|-----|-------|
| | A11 | black | | | | | | | | | |
| | C51 | graphite grey | | | | | | | | | |
| | S31 | savanna | | | | | | | | | |
| | G11 | metropole blue | | | | | | | | | |
| | J31 | nephrite green | | | | | | | | | |
| | M31 | boxster red | | | | | | | | | |
| | P12 | cinnamon brown | | | | | | | | | |
| | D12 | dark grey/natural | | | | | | | | | |
| | T12 | brown/natural | | | | | | | | | |
| | | bracket see group 9 /11/10 | | | | | | | | | |
| | | stop seat rail see group 9 /11/10 | | | | | | | | | |

MXI KAT23

| KAT. | M-X-I -NR | BENENNUNG-Deutsch DESCRIPTION-English |
|------|-----------|---|
| 23 | M000 | +-----+ ! M-Nummern-Uebersicht ! +-----+ +-----+ ! Summary of optional extras "M"! +-----+ |
| 23 | M014 | Sportpaket 996 Sport package 996 |
| 23 | M024 | Griechenland-Ausführung Version for Greece |
| 23 | M030 | Sportfahrwerk Sport-type running gear |
| 23 | M032 | Langstreckenfahrwerk Touring suspension |
| 23 | M034 | Italien - Ausführung Version for Italy |
| 23 | M058 | Pralldämpfer vorn und hinten Impact absorbers front and rear |
| 23 | M061 | Grossbritannien-Ausführung Version for Great Britain |
| 23 | M062 | Schweden-Ausführung Version for Sweden |
| 23 | M063 | Luxemburg-Ausführung Version Luxemburg |
| 23 | M064 | Niederlande-Ausführung Version for Netherlands |
| 23 | M065 | Dänemark-Ausführung Version for Denmark |
| 23 | M066 | Norwegen-Ausführung Version for Norway |
| 23 | M067 | Finnland-Ausführung Version for Finland |
| 23 | M068 | Thailand-Ausführung Version for Thailand |
| 23 | M069 | Sonstige-Länderausführung Other country version |
| 23 | M071 | EU-Länderausführung EU country version |
| 23 | M072 | Mexico-Ausführung Version for Mexico |
| 23 | M073 | Russland-Ausführung Version for Russia |
| 23 | M092 | Sondermodell Turbo S Special model Turbo S |
| 23 | M101 | Motorteile 996 GT2 Engine parts 996 GT2 |
| 23 | M111 | Österreich-Ausführung Version for Austria |
| 23 | M113 | Kanada - Ausführung Version for Canada |
| 23 | M114 | Taiwan - Ausführung Version for Taiwan |
| 23 | M119 | Spanien - Ausführung Version for Spain |
| 23 | M124 | Frankreich - Ausführung Version for France |
| 23 | M126 | Beschreibung französisch Control and indications in french lettering |
| 23 | M127 | Beschreibung schwedisch Control and indications in schwedisch |

MXI KAT23

| | | |
|----|------|---|
| 23 | M130 | Beschreibung englisch Control and indications in english lettering |
| 23 | M139 | Sitzheizung, linker Sitz Seat heating system, left seat |
| 23 | M150 | Betrieb mit verbleitem Kraftstoff Operates with leaded gas |
| 23 | M152 | Kraftstoffkühlung Fuel cooler |
| 23 | M193 | Japan-Ausführung Version for Japan |
| 23 | M197 | Stärkere Batterie Stronger battery |
| 23 | M215 | Saudi-Arabien - Ausführung Version for Saudi Arabia |
| 23 | M219 | Ausgleichsgetriebe Differential |
| 23 | M220 | Sperrdifferential Locking differential |
| 23 | M222 | Antriebschlupfregelung (ASR) Traction control system |
| 23 | M224 | Automatisches Bremsdifferential Automatic limited slip differential |
| 23 | M225 | Belgien-Ausführung Version for Belgium |
| 23 | M249 | Tiptronic-Getriebe Tiptronic transmission |
| 23 | M265 | Automatisch abblendbarer Innenspiegel mit Regensensor Automatic anti-dazzle interior mirror with rain sensor |
| 23 | M266 | Automatisch abblendbarer Aussenspiegel Automatic anti-dazzle exterior mirror |
| 23 | M270 | Aussenspiegel für Fahrerseite -plan-, elektrisch verstell- und beheizbar Outside mirror -plan- driver's side, electrically adjustable and heatable |
| 23 | M271 | Aussenspiegel für Fahreseite -asphaerisch-, elektrisch verstell- und beheizbar Outside mirror -aspherical- driver's side, electrically adjustable and heatable |
| 23 | M273 | Aussenspiegel, elektrisch verstell- und beheizbar Outside mirror, electrically adjustable and heatable |
| 23 | M274 | Make-up Spiegel beleuchtet Make-up mirror illuminated |
| 23 | M277 | Schweiz-Ausführung Version for Switzerland |
| 23 | M288 | Scheinwerfer-Reinigungsanlage Headlamp washer |
| 23 | M320 | Radio "Porsche CR-11", RDW |
| 23 | M321 | Radio "Porsche CR 22", RDW |
| 23 | M322 | Radio "Porsche CR 220", USA |
| 23 | M325 | Südafrika/Neuseeland-Ausführung Version for South Africa/New Zealand |
| 23 | M326 | Radio "Porsche CR-21", RDW |
| 23 | M327 | Radio "Porsche CR 2200", Japan |
| 23 | M329 | Radio "Porsche CR-210", USA |
| 23 | M330 | Radio "Porsche CR-31", RDW |
| 23 | M335 | 3-Punkt-Automatik-Gurte, hinten Automatical safety belt, 3-point, rear |
| 23 | M338 | Heck-Antrieb Rear-wheel drive |
| 23 | M339 | Allrad-Antrieb 4-wheel drive |

MXI KAT23

| | | |
|----|------|---|
| 23 | M340 | Sitzheizung, rechter Sitz Seat heating system, right seat |
| 23 | M342 | Sitzheizung, links u. rechts Seat heating system, left/right seat |
| 23 | M369 | Basissitz links Series seat, left |
| 23 | M370 | Basissitz rechts Series seat, right |
| 23 | M375 | Sportsitz, Lehnenschale, links Sportseat, backrest shell, left |
| 23 | M376 | Sportsitz, Lehnenschale, rechts Sportseat, backrest shell, right |
| 23 | M396 | Gussrad, 17" (AL) Cast wheel, 17 inches |
| 23 | M399 | Carrera-4-Rad 17" 17" Carrera-4-wheel |
| 23 | M410 | Turbo 2-Rad 18" 18" turbo 2 wheel |
| 23 | M413 | Turbo-Look-Rad 18" 18" turbo-look-wheel |
| 23 | M415 | Monobloc-Rad Top 18" 18" monobloc wheel top |
| 23 | M416 | Rad, GT3 18" Wheel, GT3 18" |
| 23 | M418 | Turbo 2-Rad 18", GT-silber-metallic 18" Turbo 2 wheel, GT silver metallic |
| 23 | M421 | Kassettenablage vorn Front cassette compartment |
| 23 | M422 | Kassettenablage hinten Rear cassette compartment |
| 23 | M424 | CD-Ablage CD compartment |
| 23 | M425 | Heckscheibenwischer Rear window wiper |
| 23 | M426 | Ohne Heckwischer Without rear window wiper |
| 23 | M432 | Lenkrad mit Tiptronic-Bedi enung Steering wheel with tiptronic control |
| 23 | M436 | 3-Speichen-Airbaglenkrad 3-spoke airbag steering wheel |
| 23 | M437 | Komfortsitz links, elektrisch verstellbar Comfort seat left, electrically adjustable |
| 23 | M438 | Komfortsitz rechts, elektrisch verstellbar Comfort seat right, electrically adjustable |
| 23 | M439 | Elektrische Verdeckbetätigung Electrical roof catch |
| 23 | M440 | Manuelle Antenne, 4 Lautsprecher --> MJ 2002 Antennen-Diversity --> MJ 2003 Manual antenna, 4 loudspeakers --> mj 2002 Antenna diversity --> mj 2003 |
| 23 | M441 | Radiovorbereitung Prepared for radio |
| 23 | M446 | Radzierdeckel konkav mit farbigem Wappen Concave hub cape with coloured escutcheon |
| 23 | M449 | Guss-Bremse GT2 Cast steel brake GT2 |
| 23 | M450 | Keramik-Bremse (PCCB) Ceramic brake (PCCB) |
| 23 | M454 | Automatische Geschwindigkeitsregelung Automatic speed control |
| 23 | M465 | Nebelschlussleuchte links Rear foglamp, left |
| 23 | M466 | Nebelschlussleuchte rechts Rear foglamp, right |
| 23 | M476 | Porsche Stability Management (PSM) Porsche stability management (PSM) |
| 23 | M479 | Australien - Ausführung Version for Australia |

MXI KAT23

| | | |
|----|------|--|
| 23 | M480 | 6-Gang Schal tgetri ebe 6-speed manual transmi ssi on |
| 23 | M484 | USA - Ausführung Version for USA |
| 23 | M488 | Beschri ftung Deutsch Inscriptions in german language |
| 23 | M490 | Mj -01 Klangpaket Mj 02- Klangpaket Harmann analog Mj -01 sound system Mj 02- sound system Harmann analog |
| 23 | M492 | Scheinwerfer fuer Li nksverkehr For left-hand traffi c |
| 23 | M498 | Entfall der Modellbezeichnung am Heck Wi thout vehi cle-type-lettering on rear end |
| 23 | M499 | Ausführung für die Bundesrepubli k Deutschl and Version for Germany |
| 23 | M509 | Feuerlöscher Fire extingui sher |
| 23 | M513 | Lordosenstütze rechter Si tz Back-support (lordose) right seat |
| 23 | M532 | Entfall Fernbedi enung Al arma nla ge Deleted remote control anti -theft devi ce |
| 23 | M533 | Entfall Funkbetäti gung Verdeck Radio converti ble-top operati on omi tted |
| 23 | M534 | Diebstahl si cherungsanla ge Theft securi ty system |
| 23 | M535 | Diebstahl si cherung 315 MHz Anti -theft lock 315 mhz |
| 23 | M536 | Al armsi rene und Nei gungsgeber Alarm siren and tilt sensor |
| 23 | M537 | Sit zposi ti ons-Steuerung für Komfortsi tz, li nks Seating position control for confort seat, left |
| 23 | M538 | Sit zposi ti ons-Steuerung für Komfortsi tz, rechts Seating position control for confort seat, right |
| 23 | M539 | Mechani sche Si tzhöhenverstell ung li nks Mechanical seat-height adjustment left |
| 23 | M540 | Mechani sche Si tzhöhenverstell ung rechts Mechanical seat-height adjustment right |
| 23 | M549 | Dachtransportsystem Roof rack system |
| 23 | M550 | Hardtop Hardtop |
| 23 | M551 | Windstop Wind deflector |
| 23 | M553 | USA-Canada-Ausführung Version for USA, Canada |
| 23 | M562 | Airbag Fahrer- und Bei fahrerseite Airbagdriver' s side and front passenger' s side |
| 23 | M563 | Seitenairbag Side airbag |
| 23 | M566 | Nebelschei nwerfer wei ss Fog-headl amps, whi te |
| 23 | M567 | Frontscheibe im oberen Bereich stark ei ngefärbt Windshiel d tinted, upper part darker coloured |
| 23 | M571 | Aktivkohlefi lter Activated charcoal fi lter |
| 23 | M573 | Klima-Anla ge Air condi ti oner |
| 23 | M574 | Ohne Klima-Anla ge, Wi thout air condi ti oner |
| 23 | M580 | Nichtraucherpaket Non-smoker' s package |
| 23 | M581 | Mi ttel konsol e vorn Center console front |
| 23 | M586 | Lordosenstütze linker Si tz Back-support (lordose) left seat |
| 23 | M590 | Motori sche Deckel verri egel ung Power lid locki ng |

MXI KAT23

| | | |
|----|------|---|
| 23 | M601 | Xenon Licht Xenon light |
| 23 | M602 | Hochgesetzte Bremsleuchte Araised stop lamp |
| 23 | M605 | Leuchtweitenregulierung Headlight vertical aim control |
| 23 | M606 | Tagfahrlicht Daytime running lamp |
| 23 | M614 | Telefonvorbereitung Motorola 2200 Prparation of telephone installation motorola 2200 |
| 23 | M618 | Telefonvorbereitung Preparation of telephone installation |
| 23 | M620 | E-Gas E-accelerator |
| 23 | M635 | Ei nparkhilfe Parking assistant |
| 23 | M650 | Elektrisches Schiebedach Electrical sliding roof |
| 23 | M651 | Elektrischer Fensterheber Electric window opener |
| 23 | M657 | Servolenkung Power assisted steering |
| 23 | M659 | Bordcomputer Computer |
| 23 | M660 | OBD 2 OBD 2 |
| 23 | M661 | Verschärftes Abgaskonzept Stricter emission-control concept |
| 23 | M662 | Info- / Navigationsystem Info/navigation system |
| 23 | M663 | Passivhörer Hands-free receiver |
| 23 | M664 | ORVR ORVR |
| 23 | M665 | PCM2 Grundmodul inklusive Radio PCM2 basic module including radio |
| 23 | M666 | PCM2 Telefon (GSM) PCM2 telephone (GSM) |
| 23 | M668 | PCM2 Telefonbedienhörer PCM2 telephone handset |
| 23 | M670 | PCM2 Navigation PCM2 navigation |
| 23 | M680 | Mj -01 digitales Soundpaket Mj 02- sound system Bose analog Mj -01 digital sound package Mj 02- Soundpaket Bose analog |
| 23 | M685 | Geteilte Rücksitzanlage Rear seats, divided |
| 23 | M686 | Radio "Porsche CDR-21", RDW Radio "Porsche CDR-21", RDW |
| 23 | M688 | Radio "Porsche CDR-210", USA Radio "Porsche CDR-210", USA |
| 23 | M689 | CD-Wechsler Vorbereitung Preperation of cd-changer |
| 23 | M690 | CD-Player "CD-10" CD-player "CD-10" Radio + ARI radio + ARI |
| 23 | M692 | CD-Wechsler "Porsche " CD-changer "Porsche " |
| 23 | M695 | CD-Radio "Porsche CDR 22", RDW CD-Radio "Porsche CDR 22", RDW |
| 23 | M696 | CD-Radio "Porsche CDR 220", USA CD-Radio "Porsche CDR 220", USA |
| 23 | M698 | CD-Radio "Porsche CDR 32", RDW CD-Radio "Porsche CDR 32", RDW |
| 23 | M699 | MD-Radio "Porsche MDR32", RDW MD-Radio "Porsche MDR32", RDW |

MXI KAT23

| | | |
|----|-------|--|
| 23 | M703 | Trunk entrapment (Kofferraum, Innenentriegelung) Trunk entrapment |
| 23 | M936 | Sitzbezüge hinten, Leder Seat covers rear, leather |
| 23 | M937 | Sitzbezüge hinten, Kunstleder Seat covers rear, leatherette |
| 23 | M939 | Sitzbezüge hinten, Raffleder Seat covers rear, draped leather |
| 23 | M946 | Sitzbezüge vorne, Leder/Leder/kunstleder Seat covers front, leather/leather/leatherette |
| 23 | M971 | Naturlleder, Toro-geprägt Natural leather, toro-embossed |
| 23 | M981 | Leder-Ausstattung ohne Sitzbezüge Leather equipment without seat covers |
| 23 | M982 | Sitzbezüge vorne, Raffleder/Leder/Leder Seat covers front, draped leather/leather/leather |
| 23 | M983 | Sitzbezüge vorne, Leder Seat covers front, leather |
| 23 | M990 | Sitzbezüge vorne, Stoff/Stoff/Kunstleder Seat covers front, cloth/cloth/leatherette |
| 23 | M999 | Innenraumüberwachung Sensor für Lederfarbe nach Wahl Passenger compartment monitoring sensor for leather colour of choice |
| 23 | I AAA | !-----! ! MEHRAUSSTATTUNG X NR. ! !-----! |
| | | !-----! ! MEHRAUSSTATTUNG X NR. ! !-----! |
| 23 | I XAA | Aerokit Cup |
| 23 | I XAB | Aerokit cup Speedster-Heck, Wagenfarbe lackiert S pyder rear in body colour |
| 23 | I XAF | Aerokit Turbo Turbo aerokit |
| 23 | I XAG | Carrera - Heckspoiler Carrera - rear spoiler |
| 23 | I XCG | Sportsitzrückenlehne Alu-Optik Sports seat backrest in Aluminim-Look finish |
| 23 | I XCZ | Schalwegverkürzung Switch travel shortening |
| 23 | I XD9 | Felgenstern in Wagenfarbe lackiert Wheel painted in body colour |
| 23 | I XEA | Passivhörer in Leder Passive handset in leather |
| 23 | I XE8 | Schalteknopf Alu/Wurzelholz Dunkel/Leder Gear lever knob aluminim/dark burr maple/leather |
| 23 | I XE9 | Handbremshebel Alu/Wurzelholz Dunkel/Leder Handbrake lever aluminim/dark burr maple/leather |
| 23 | I XJB | Mittelkonsole hinten arktissilber Rear section of centre console in arctic silver |
| 23 | I XJ4 | Rosette für Zündschloss Lederbezogen Leather cover for ignition lock surround |
| 23 | I XKB | Luftseindüse Wurzelholz/Ahorn hell Side air vent in light burr maple |
| 23 | I XKC | Luftseindüse Wurzelholz/Ahorn dunkel Side air vent in dark burr maple |
| 23 | I XKD | Luftseindüse carbon Side air vent in carbon |
| 23 | I XKE | Luftseindüse arktissilber Side air vent in arctic silver |
| 23 | I XKG | Defrosterblende Wurzelholz/Ahorn hell, Leder "Windscr. defr. panel in light burr maple; leather" |

MXI KAT23

| | | |
|----|-------|--|
| 23 | I XKH | Defrosterblende Wurzelholz/Ahorn dunkel, Leder "Windscr. defr. panel in dark burr maple; leather" |
| 23 | I XKJ | Defrosterblende Carbon/Leder |
| 23 | I XKL | Defroster trim in carbon/leather |
| 23 | I XKM | Lautsprecherabdeckungen in Leder |
| 23 | I XKN | Leather speaker covers |
| 23 | I XKP | Lautsprecherabdeckungen Wurzelholz/Ahorn hell |
| 23 | I XKR | Speaker covers in light burr maple |
| 23 | I XKS | Lautsprecherabdeckungen Wurzelholz/Ahorn dunkel |
| 23 | I XKW | Speaker covers in dark burr maple |
| 23 | I XKX | Lautsprecherabdeckungen in Carbon |
| 23 | I XLA | Carbon speaker covers |
| 23 | I XKR | Mitteldüsenträger Wurzelholz/Ahorn hell |
| 23 | I XKS | Center air vent bracket in light burr maple |
| 23 | I XKW | Mitteldüsenträger Wurzelholz/Ahorn dunkel |
| 23 | I XKX | Center air vent bracket in dark burr maple |
| 23 | I XLA | MITTELDUESENTRAEGER ARKTIS SILBER |
| 23 | I XLF | CENTER NOZZLE BRACKET ARCTIC SILVER |
| 23 | I XMA | Instr. Abd. Unterteil arktissilber |
| 23 | I XME | Instrument surround in arctic silver |
| 23 | I XMF | Boxster-Endrohr |
| 23 | I XMG | Boxster tail pipe |
| 23 | I XMH | Sportabgasanlage |
| 23 | I XMI | Sports exhaust system |
| 23 | I XMJ | Himmel mit Leder bezogen |
| 23 | I XMK | Rooflining in leather |
| 23 | I XML | Mittelkonsole hinten lackiert |
| 23 | I XMN | Rear section of centre console painted |
| 23 | I XMO | Mittelkonsole vorn inklusive 2 Ablagen, Leder |
| 23 | I XMP | Front center console incl. 2 storage bins, leather |
| 23 | I XMQ | Mittelkonsole hinten Carbon |
| 23 | I XMR | Rear section of centre console in carbon |
| 23 | I XMS | Überrollbügel in Exterieurfarbe |
| 23 | I XMT | Roll-over bar in exterior color |
| 23 | I XMU | Mittelkonsole hinten Wurzelholz Ahorn hell |
| 23 | I XMV | Rear center console in light burr maple |
| 23 | I XMW | Sonnenblende Leder, 2 Make-up-Spiegel, beleuchtet |
| 23 | I XMX | Leather sun visor, 2 lit make-up mirrors, illuminated |
| 23 | I XMY | Sonnenblende Leder, 2 Make-Up-Spiegel beleuchtet Leder |
| 23 | I XMZ | Sun visor in leather, 2 illuminated vanity mirrors, |
| 23 | I XNA | Überrollbügel arktissilber |
| 23 | I XNB | Roll-over bar in arctic silver |
| 23 | I XNC | Mittelkonsole hinten Leder |
| 23 | I XND | Rear section of centre console in leather |
| 23 | I XNE | Mittelkonsole hinten Wurzelholz Ahorn dunkel |
| 23 | I XNF | Rear center console in dark burr maple |
| 23 | I XNG | Instrumentenabdeckung Unterteil Leder |
| 23 | I XNH | Instrument surround in leather |
| 23 | I XNI | Seitendüse li./re. Leder Defrosterblende |
| 23 | I XNJ | Side vent. left/right defroster trim in leather |
| 23 | I XNK | Mitteldüsenträger in Leder |
| 23 | I XNL | Center air vent bracket in leather |
| 23 | I XNM | Mitteldüsenträger Carbon |
| 23 | I XNO | Carbon center air vent bracket |
| 23 | I XNP | Lenkstock-Verkleidung 4-teilig Leder |
| 23 | I XNQ | Leather steering column trim, 4-part |
| 23 | I XNR | Zierleiste (Nut) in Leder |
| 23 | I XNS | Leather trim strip (dashboard) |
| 23 | I XNT | Zierleiste (Nut) Wurzelholz/Ahorn hell |
| 23 | I XNV | Trim strip (dashboard) in light burr maple |
| 23 | I XNW | Zierleiste (Nut) Wurzelholz/Ahorn dunkel |
| 23 | I XNX | Trim strip (dashboard) in dark burr maple |
| 23 | I XNY | Zierleiste (Nut) in Carbon |
| 23 | I XNZ | Carbon trim strip (dashboard) |
| 23 | I XOA | Zierleiste (Nut) arktissilber |
| 23 | I XOB | Trim strip in arctic silver |
| 23 | I XOC | Luftseitendüse Armaturenbrett Leder |
| 23 | I XOD | Dashboard side air vent in leather |

MXI KAT23

| | | |
|----|-------|--|
| 23 | I XPA | 3-Speichen Sportlenkrad, Leder Interieurfarbe 3-spoke sports steering wheel in leather interior co |
| 23 | I XPB | 3-Speichen Sportlenkrad, Wurzelholz/Ahorn hell, Leder 3-spoke sports steering wheel, light burr maple, leather |
| 23 | I XPC | 3-Speichen Sportlenkrad, Wurzelholz/Ahorn dunkel, Leder 3-spoke sports steering wheel, dark burr maple, leather |
| 23 | I XPD | 3-Speichen Sportlenkrad, Carbon/Leder 3-spoke sports steering wheel, carbon/leather |
| 23 | I XPG | 3-Speichen Sportlenkrad, Sportsilber 3-spoke sports steering wheel, sports seats |
| 23 | I XPP | LAUTSPRECHER-ABDECKUNG SCHALTAFEL INTERIEURFARBE LOUDSPEAKER FINISHER ON SWITCH PANEL IN INTERIOR COLOUR |
| 23 | I XPW | Instrumentenabdeckung Unterteil Wurzelholz/Ahorn, Hell Instrument surround in light burr maple |
| 23 | I XPX | Instrumentenabdeckung Unterteil Wurzelholz/Ahorn, Dunkel Instrument surround in dark burr maple, dark |
| 23 | I XPY | Instrumentenabdeckung Unterteil Carbon Carbon instrument surround |
| 23 | I XRA | SPORT-CLASSIC-RAD 17" 17" SPORTCLASSIC WHEEL |
| 23 | I XRB | Sport-Classic-2 Rad 18" 18" Sport Classic II wheel |
| 23 | I XRC | Sport-Techno Rad 18" 18" SportTechno wheel |
| 23 | I XRL | Sport-Design-Rad 18" 18" SportDesign wheel |
| 23 | I XRN | Distanzscheiben 17 mm, hinten 17-mm spacers, rear |
| 23 | I XRP | Distanzscheiben 5 mm, vorn/hinten 5-mm spacers, front/rear |
| 23 | I XSA | Sportsitzrückenlehne lackiert Painted sports seat backrest |
| 23 | I XSB | Sportsitzrückenlehne in Leder Leather sports seat backrest |
| 23 | I XSC | Porsche Wappen geprägt in Kopfstütze Porsche crest embossed in headrest |
| 23 | I XSD | Sitzbedienelemente in Leder Front seat controls in leather |
| 23 | I XSE | Schalensitz links Bucket seat, left |
| 23 | I XSF | Schalensitz rechts Bucket seat, right |
| 23 | I XSG | Rennschalensitz links Racing bucket seat, left |
| 23 | I XSJ | 6-Punkt-Gurte 6-point harness |
| 23 | I XSL | 6-Punkt-Sicherheitsbügel 6-point safety catch |
| 23 | I XSM | Rennsport-Sicherheitskäfig Racing safety cage |
| 23 | I XSN | Entfall hintere Sitzanlage Omission of rear seats |
| 23 | I XSR | Schalensitz rechts, Rückseite Carbon Carbon back for bucket seat, right |
| 23 | I XSS | Schalensitz links, Rückseite Carbon Carbon back for bucket seat, left |
| 23 | I XSU | Abgepolsterter Sitz Upholstered seat |
| 23 | I XSW | Sicherheitsgurte in Maritimblau Maritime Blue safety belts |
| 23 | I XSX | Sicherheitsgurte in Indischrot Seat belts in guards red |
| 23 | I XSY | Sicherheitsgurte in Speedgelb Seat belts in speed yellow |
| 23 | I XTC | TUERTAFELTEILE IN LEDER DOOR FEATURES IN LEATHER |
| 23 | I XTE | TUERTAFELTEILE IN CARBON/LEDER DOOR FEATURES IN CARBON/LEATHER |

MXI KAT23

| | | |
|----|-------|---|
| 23 | I XTF | TUERTAFELTEILE ARKTIS SILBER/LEDER DOOR FEATURES IN ARCTIC SILVER/LEATHER |
| 23 | I XTG | Schwellerabdeckung innen Leder Inner door sills in leather |
| 23 | I XTJ | Türtafelteile Wurzelholz/Ahorn hell Door panel parts in light burr maple |
| 23 | I XTK | Türtafelteile Wurzelholz/Ahorn dunkel Door panel parts in dark burr maple |
| 23 | I XTL | Türtafelteile Carbon Door features in carbon |
| 23 | I XV1 | Defrosterblende Lederbezogen Defroster trim in leather |
| 23 | I XX1 | Fussmatten, Schriftzug, Leder eingefasst Floor mats, logo, leather border |
| 23 | I XX2 | Fussraumbelichtung Illuminated footwell |
| 23 | I XY5 | Kulisse Tiptronic-Wählhebel in Leder Tiptronic gear selector gate in leather |
| 23 | I XZD | Abdeckung Innenleuchte in Leder Interior light surround in leather |
| 23 | I X45 | Instrumenten-Zifferblatt lackiert in Interieurfarbe Instrument dial in interior color |
| 23 | I X46 | Tiptronic-Wählhebel in Alu/Leder Tiptronic selector lever in aluminum/leather |
| 23 | I X47 | Schaltnopf Carbon/Alu/Leder Gear lever knob in carbon/leather |
| 23 | I X48 | Tiptronic-Wählhebel in Carbon/Alu Tiptronic selector lever in carbon/aluminum |
| 23 | I X50 | Leistungssteigerung 331/340 kW Powerkit 331/340 kw |
| 23 | I X54 | Edelstahlendrohre Stainless steel tail pipes |
| 23 | I X58 | Handbremshebel Carb/Alu/Leder Handbrake lever in carbon/leather |
| 23 | I X65 | Tiptronic-Wählhebel Wurzelholz Hell/Alu Tiptr. sel. lever in light burr maple/aluminum |
| 23 | I X66 | Tiptronic-Wählhebel Wurzelholz Dunkel/Alu Tiptr. sel. lever in dark burr maple/aluminum |
| 23 | I X69 | Einstiegsblenden Carbon, Schriftzug Door entry guards in carbon with logo |
| 23 | I X70 | Einstiegsblenden Edelstahl, Schriftzug Door entry guards in stainless steel with logo |
| 23 | I X71 | Instrumenten-Zifferblatt Lackiert/Alufarbe Instrument dial painted/aluminum-look finish |
| 23 | I X72 | Schaltnopf Alu/Wurzelholz Hell/Leder Gear lever knob aluminum/light burr maple/leather |
| 23 | I X73 | Sportfahrwerk Turbo Turbo sports suspension |
| 23 | I X74 | Sportfahrwerk (exklusiv) Sports suspension (exclusive) |
| 23 | I X75 | Sperrdifferential (exklusiv) Differential lock (exclusive) |
| 23 | I X76 | Schwellerverkleidungen links/rechts Inner door sill guard left/right |
| 23 | I X91 | Handbremshebel Alu/Wurzelholz Hell/Leder Handbrake lever aluminum/light burr maple/leather |
| 23 | I X97 | Schaltnopf Alu/Leder Gear lever knob in aluminum/leather |
| 23 | I X98 | Handbremshebel Alu/Leder Handbrake lever in aluminum/leather |
| 23 | I X99 | Naturalleder Natural leather |
| 23 | I 804 | Exterieur-Paket Carbon GT2 GT2 carbon exterior package |

| | | | | | | | | |
|---------------|------------|----|----|--------------|---------|---------------|------|------------|
| Model 996T | Year 05 | MG | SG | Illustration | VIN No. | Update 230 | 9:59 | 13.08.2008 |
|---------------|------------|----|----|--------------|---------|---------------|------|------------|

EQUIPMENT BY COUNTRY REGULATIONS

=====

- (A) AUSTRIA
- (AG) ARABIAN GULF STATES
- (AUS) AUSTRALIA
- (B) BELGIUM
- (BR) BRAZIL
- (CDN) CANADA
- (CH) SWITZERLAND
- (D) FEDERAL REPUBLIC OF GERMANY
- (DK) DENMARK
- (E) SPAIN
- (F) FRANCE
- (GB) GREAT BRITAIN
- (GR) GREECE
- (HK) HONGKONG
- (I) ITALY

| | | | | | | | | |
|-------|------|----|----|--------------|---------|--------|------|------------|
| Model | Year | MG | SG | Illustration | VIN No. | Update | | |
| 996T | 05 | | | | | 230 | 9:59 | 13.08.2008 |

(J) JAPAN

(L) LUXEMBURG

(N) NORWAY

(NL) NETHERLANDS

(NZ) NEW ZEALAND

(P) PORTUGAL

(RC) TAIWAN

(S) SWEDEN

(SA) SAUDI ARABIA

(SF) FINLAND

(USA) UNITED STATES OF AMERICA

(ZA) SOUTH AFRICA

| | | | | | | | | |
|---------------|------------|----|----|--------------|---------|---------------|------|------------|
| Model 996T | Year 05 | MG | SG | Illustration | VIN No. | Update 230 | 9:59 | 13.08.2008 |
|---------------|------------|----|----|--------------|---------|---------------|------|------------|

IN COLUMN - A -

IDENTIFICATION LETTER FOR PERIOD OF INSTALLATION
THAT IS REPEATED SEVERAL TIMES IN THE CATALOG GROUP.

EXPLANATION PLEASE FIND IN TEXT COLUMN OF THE CATALOG GROUP

IN COLUMN - QU - = NO. OF PIECES

1 NUMBER PER APPLICATION

X NUMBER AS NEEDED

* AVAILABLE ONLY IN RUNNING LENGTHS 1 = 1 METRE

IN COLUMN - MODEL/SYMBOL -

M650 OPTIONAL EQUIPMENT - SEE M-NO. LIST

-98 LIMITATION OF MODEL YEAR FOR INSTANCE: VALID UP TO
END OF MODEL YEAR 1997

/LL LHD

/RL RHD

-----+

/V FRONT I

| | | | | | | | | |
|-------|------|----|----|--------------|---------|--------|------|------------|
| Model | Year | MG | SG | Illustration | VIN No. | Update | | |
| 996T | 05 | | | | | 230 | 9:59 | 13.08.2008 |

I
 /H REAR I
 I----> APPLIES TO
 /L LEFT I DIRECTION OF TRAVEL
 I
 /R RIGHT I
 -----+
 WW THE PART CAN BE USED INSTEAD OF THE
 PRECEDING ONE.

| | | | | | | | | |
|-------|------|----|----|--------------|---------|--------|------|------------|
| Model | Year | MG | SG | Illustration | VIN No. | Update | | |
| 996T | 05 | | | | | 230 | 9:59 | 13.08.2008 |

LEGENDS AND NOTICES

=====

IN COLUMN -S- STATUS

- N NEW ADDITION
- P PART ALREADY IN PROGRAMME, BUT NEW
AT THIS APPLICATION
- W DELETED AT THIS APPLICATION, BUT CONTINUED TO BE CARRIED
- K THIS PART MUST BE RE-ORDERED IF IT IS UNAVAILABLE WHEN THE
ORDER IS FIRST PLACED. ORDER BACKLOGS ARE NOT PROCESSED.
- A STOCK TO BE USED UP
- U DELETED WITHOUT REPLACEMENT
- * PART ALSO OR ONLY AVAILABLE
IN REPAIR KIT
- > ALSO AVAILABLE IN EXCHANGE

IN COLUMN - ILL. -

- 1 IDENTIFICATION NO. IN ILLUSTRATION
- (1) PART ONLY SIMILAR AS ILLUSTRATED

| | | | | | | | | |
|-------|------|----|----|--------------|---------|--------|------|------------|
| Model | Year | MG | SG | Illustration | VIN No. | Update | | |
| 996T | 05 | | | | | 230 | 9:59 | 13.08.2008 |

- PART IS NOT ILLUSTRATED

FIG.-NUMBERS FOR WHICH THERE IS SHOWN NO TEXT ARE
NOT VALID FOR THIS EDITION OF CATALOGUE

IN COLUMN -PART NUMBER/CODE-

000 000 000 00 PART NUMBER EQUALS ORDERING NO., IF A CODE IS
SHOWN, IT WILL HAVE TO BE PART OF ORDERING
NUMBER

01C COLOUR CODE

IN COLUMN -TEXT

INSTALLATION WITH ENGINE OR CHASSIS
NUMBER-RANGE

EXAMPLE:

M 66W 00389>> FROM ENGINE NO.

F >>99WS6 00889 UP TO CHASSIS NO.

| | | | | | | | | |
|---------------|------------|----|----|--------------|---------|---------------|------|------------|
| Model 996T | Year 05 | MG | SG | Illustration | VIN No. | Update 230 | 9:59 | 13.08.2008 |
|---------------|------------|----|----|--------------|---------|---------------|------|------------|

| VEHICLE TYPE | TYPE | MY | TRANSMISSION NO. | TECHNICAL DATA |
|---------------------|--------|------|-----------------------|----------------|
| 911 TURBO | G96.50 | 01 1 | G9650 1 002001>999999 | 6-GANG |
| 911 TURBO TIPTRONIC | A96.50 | 01 1 | A9650 1 002001>999999 | 5-GANG |
| 911 TURBO GT2 | G96.88 | 01 1 | G9688 2 002001>999999 | 6-GANG |
| 911 TURBO | G96.50 | 02 2 | G9650 1 002001>999999 | 6-GANG |
| 911 TURBO TIPTRONIC | A96.50 | 02 2 | A9650 1 002001>999999 | 5-GANG |
| 911 TURBO GT2 | G96.88 | 02 2 | G9688 2 002001>999999 | 6-GANG |
| 911 TURBO | G96.50 | 03 3 | G9650 1 002001>999999 | 6-GANG |
| 911 TURBO TIPTRONIC | A96.50 | 03 3 | A9650 1 002001>999999 | 5-GANG |
| 911 TURBO GT2 | G96.88 | 03 3 | G9688 2 002001>999999 | 6-GANG |
| 911 TURBO | G96.50 | 04 4 | G9650 1 002001>999999 | 6-GANG |
| 911 TURBO TIPTRONIC | A96.50 | 04 4 | A9650 1 002001>999999 | 5-GANG |
| 911 TURBO GT2 | G96.88 | 04 4 | G9688 2 002001>999999 | 6-GANG |
| 911 TURBO | G96.50 | 05 5 | G9650 1 002001>999999 | 6-GANG |
| 911 TURBO TIPTRONIC | A96.50 | 05 5 | A9650 1 002001>999999 | 5-GANG |
| 911 TURBO GT2 | G96.88 | 05 5 | G9688 2 002001>999999 | 6-GANG |

| | | | | | | | | |
|-------|------|----|----|--------------|---------|--------|------|------------|
| Model | Year | MG | SG | Illustration | VIN No. | Update | | |
| 996T | 05 | | | | | 230 | 9:58 | 13.08.2008 |

EXPLANATION OF THE TRANSMISSION-NUMBERS USED IN THE CATALOGUE

=====

DIGIT: 1 2 3 4 5 6 7 8 9 10 11

EXAMPLE: G 9 6 0 0 1 0 0 5 4 3

= ===== = =====

! ! ! !

! ! ! !

TRANSMISSION TYPE-----+ ! !

! ! ! !

TRANSMISSION VERSION-----+ ! !

! !

INDEX OF VARIANTS-----+ !

!

SERIAL NUMBER-----+ !

| | | | | | | | | |
|-------|------|----|----|--------------|---------|--------|------|------------|
| Model | Year | MG | SG | Illustration | VIN No. | Update | | |
| 996T | 05 | | | | | 230 | 9:58 | 13.08.2008 |

ENGINE

| VEHICLE TYPE | TYPE | MY | ENGINE NO. | TECHNICAL DATA |
|---------------|---------|------|-----------------|-------------------|
| 911 TURBO | M96.70 | 01 1 | 641 00501>60000 | 6ZYL/3,6L /309 KW |
| 911 TURBO GT2 | M96.70S | 01 1 | 641 00501>60000 | 6ZYL/3,6L /340 KW |
| 911 TURBO | M96.70 | 02 2 | 642 00501>60000 | 6ZYL/3,6L /309 KW |
| 911 TURBO GT2 | M96.70S | 02 2 | 642 00501>60000 | 6ZYL/3,6L /340 KW |
| 911 TURBO | M96.70 | 03 3 | 643 00501>60000 | 6ZYL/3,6L /309 KW |
| 911 TURBO GT2 | M96.70S | 03 3 | 643 20501>60000 | 6ZYL/3,6L /340 KW |
| 911 TURBO | M96.70 | 04 4 | 644 00501>60000 | 6ZYL/3,6L /309 KW |
| 911 TURBO GT2 | M96.70S | 04 4 | 644 20501>60000 | 6ZYL/3,6L /340 KW |
| 911 TURBO | M96.70 | 05 5 | 645 00501>60000 | 6ZYL/3,6L /309 KW |
| 911 TURBO GT2 | M96.70S | 05 5 | 645 20501>60000 | 6ZYL/3,6L /360 KW |

| | | | | | | | | |
|---------------|------------|----|----|--------------|---------|---------------|------|------------|
| Model 996T | Year 05 | MG | SG | Illustration | VIN No. | Update 230 | 9:58 | 13.08.2008 |
|---------------|------------|----|----|--------------|---------|---------------|------|------------|

EXPLANATION OF THE MOTOR-NUMBERS USED IN THE CATALOGUE

=====

| | | | |
|---------------------------------|------------|-------|-----------|
| DIGIT: | | 1 2 3 | 4 5 6 7 8 |
| EXAMPLE: | | 6 6 W | 0 0 1 3 6 |
| | | = = = | ===== |
| | | ! ! ! | ! |
| ENGINE TYPE (6 = 6-CYL.-ENGINE) | -----+ ! ! | | ! |
| | | ! ! | ! |
| ENGINE VERSION | -----+ ! | | ! |
| | | ! | ! |
| MODEL YEAR | -----+ | | ! |
| | | | ! |
| SERIAL NUMBER | -----+ | | |

| | | | | | | | | |
|---------------|------------|----|----|--------------|---------|---------------|------|------------|
| Model 996T | Year 05 | MG | SG | Illustration | VIN No. | Update 230 | 9:58 | 13.08.2008 |
|---------------|------------|----|----|--------------|---------|---------------|------|------------|

| VEHICLE TYPE | MY | VIN | ENGINE TYPE |
|------------------------------------|------|-------------------|-----------------|
| 996 TURBO | 01 1 | 991S6 80061>85000 | M96.70 309 KW |
| 996 TURBO (USA) (CDN) (MEX) (BR) | 01 1 | 991S6 85061>89000 | M96.70 309 KW |
| 996 TURBO GT2 | 01 1 | 991S6 95061>95900 | M96.70S 340 KW |
| 996 TURBO GT2 | 02 2 | 992S6 95061>95900 | M96.70S 340 KW |
| 996 TURBO GT2 (USA, CDN, MEX, BR) | 02 2 | 992S6 96061>96900 | M96.70S 340 KW |
| 996 TURBO | 02 2 | 992S6 80061>85000 | M96.70 309 KW |
| 996 TURBO (USA) (CDN) (MEX) (BR) | 02 2 | 992S6 85061>89000 | M96.70 309 KW |
| 996 TURBO GT2 | 03 3 | 993S6 95061>95900 | M96.70S 340 KW |
| 996 TURBO GT2 (USA, CDN, MEX, BR) | 03 3 | 993S6 96061>96900 | M96.70S 340 KW |
| 996 TURBO | 03 3 | 993S6 80061>85000 | M96.70 309 KW |
| 996 TURBO (USA) (CDN) (MEX) (BR) | 03 3 | 993S6 85061>89000 | M96.70 309 KW |
| 996 TURBO GT2 | 04 4 | 994S6 95061>95900 | M96.70S 340 KW |
| 996 TURBO GT2 (USA, CDN, MEX, BR) | 04 4 | 994S6 96061>96900 | M96.70S 340 KW |
| 996 TURBO | 04 4 | 994S6 80061>85000 | M96.70 309 KW |
| 996 TURBO (USA) (CDN) (MEX) (BR) | 04 4 | 994S6 85061>89000 | M96.70 309 KW |
| 996 TURBO CABRIO | 04 4 | 994S6 70061>74000 | M96.70 309 KW |
| 996 TURBO CAB. (USA, CDN, MEX, BR) | 04 4 | 994S6 75061>79000 | M96.70 309 KW |
| 996 TURBO GT2 | 05 5 | 995S6 95061>95900 | M96.70SL 360 KW |
| 996 TURBO GT2 (USA, CDN, MEX, BR) | 05 5 | 995S6 96061>96900 | M96.70SL 360 KW |
| 996 TURBO | 05 5 | 995S6 80061>85000 | M96.70 309 KW |
| 996 TURBO (USA) (CDN) (MEX) (BR) | 05 5 | 995S6 85061>89000 | M96.70 309 KW |
| 996 TURBO CABRIO | 05 5 | 995S6 70061>74000 | M96.70 309 KW |
| 996 TURBO CAB. (USA, CDN, MEX, BR) | 05 5 | 994S6 75061>79000 | M96.70 309 KW |

| | | | | | | | | |
|---------------|------------|----|----|--------------|---------|---------------|------|------------|
| Model 996T | Year 05 | MG | SG | Illustration | VIN No. | Update 230 | 9:58 | 13.08.2008 |
|---------------|------------|----|----|--------------|---------|---------------|------|------------|

EXPLANATION OF THE ABRIDGED VERSION OF THE VEHICLE IDENT. NUMBERS (VIN)

=====

USED IN THE CATALOGUE

=====

DIGIT: 1 2 3 4 5 6 7 8 9 10 11 12 13 14 15 16 17

EXAMPLE: W P 0 Z Z Z 9 9 Z W S 6 0 0 1 2 5

 === = = = =====

 ! ! ! ! !

VEHICLE TYPE 1ST+2ND DIGIT-----+ ! ! ! !

 ! ! ! !

MODEL YEAR-----+ ! ! !

 ! ! !

MANUFACTURING LOCATION-----+ ! !

 ! !

VEHICLE TYPE 3RD DIGIT-----+ !

 !

SERIAL NUMBER-----+ !

| | | | | | | | | |
|-------|------|----|----|--------------|---------|--------|------|------------|
| Model | Year | MG | SG | Illustration | VIN No. | Update | | |
| 996T | 05 | | | | | 230 | 9:58 | 13.08.2008 |

THIS PARTS CATALOGUE CONTAINS ALL ORDER INFORMATION OF
TYPE 996 TURBO FROM MODEL YEAR 2001

IT IS AVAILABLE IN TWO EDITIONS IN THE FOLLOWING LANGUAGES:

EDITION

USA, CANADA - *

EDITION

ALL OTHER COUNTRIES - GERMAN

* - ENGLISH

- FRENCH

- ITALIAN

- SPANISH

UPDATING IS BEING PERFORMED BY CHANGING OF UPDATE.

THE EDITION CAN BE RECOGNIZED BY THE CURRENT NO.

IN THE BOTTOM LINE OF SUBJECT UPDATE.

THE PREVIOUS UPDATE SHOULD NO LONGER BE USED.

ALL ILLUSTRATIONS ARE SUBJECT TO CHANGE WITHOUT OBLIGATION.

| Model | Year | MG | SG | Illustration | VIN No. | Update | | |
|-------|------|----|----|--------------|---------|--------|------|------------|
| 996T | 05 | | | | | 230 | 9:58 | 13.08.2008 |

THE SEATS FOR EACH MODEL ARE AVAILABLE IN THE PARTS CATALOGUE

"SEATS (STZ 19)".